



US00D864067S

(12) **United States Design Patent**  
**Kito**

(10) **Patent No.:** **US D864,067 S**

(45) **Date of Patent:** **\*\* Oct. 22, 2019**

(54) **CHARGING CONNECTOR CAP FOR AN AUTOMOBILE**

(71) Applicant: **SUMITOMO WIRING SYSTEMS, LTD.**, Yokkaichi-Shi (JP)

(72) Inventor: **Yu Kito**, Yokkaichi (JP)

(73) Assignee: **SUMITOMO WIRING SYSTEMS, LTD.**, Yokkaichi-Shi, Mie-Ken (JP)

(\*\*) Term: **15 Years**

(21) Appl. No.: **29/650,366**

(22) Filed: **Jun. 6, 2018**

(30) **Foreign Application Priority Data**

Dec. 13, 2017 (JP) ..... 2017-27771

(51) **LOC (12) Cl.** ..... **12-16**

(52) **U.S. Cl.**  
USPC ..... **D12/197**

(58) **Field of Classification Search**  
USPC ..... D12/197-201, 110, 114, 218; D15/150;  
D23/260

CPC ..... B60H 1/34  
See application file for complete search history.

(56) **References Cited**

**U.S. PATENT DOCUMENTS**

D594,395 S \* 6/2009 Yoshii ..... D12/197  
D756,280 S \* 5/2016 Davito ..... D12/197

D773,972 S \* 12/2016 Cloete ..... D12/197  
D806,544 S \* 1/2018 Williams ..... D9/445  
D806,624 S \* 1/2018 Lu ..... D12/197  
D813,134 S \* 3/2018 Ponticelli, Sr. .... D12/197  
D849,632 S \* 5/2019 Tovey ..... D12/197  
2014/0008096 A1\* 1/2014 Hudry ..... B60K 15/05  
174/67  
2017/0292305 A1\* 10/2017 Geissenhoener ..... B62D 25/24  
2017/0313199 A1\* 11/2017 Djrbashian ..... B60L 11/1818  
2019/0118644 A1\* 4/2019 Beck ..... B60K 15/05

\* cited by examiner

*Primary Examiner* — Katrina A Betton

(74) *Attorney, Agent, or Firm* — Grogan, Tuccillo & Vanderleeden, LLP

(57) **CLAIM**

The ornamental design for a charging connector cap for an automobile, as shown and described.

**DESCRIPTION**

FIG. 1 is a perspective view of a charging connector cap for an automobile showing my new design;  
FIG. 2 is a front view thereof;  
FIG. 3 is a rear view thereof;  
FIG. 4 is a top plan view thereof;  
FIG. 5 is a bottom plan view thereof;  
FIG. 6 is a right side view thereof; and,  
FIG. 7 is a left side view thereof.

The broken lines illustrate portions of the charging connector cap for an automobile and form no part of the claimed design. The dash-dotted lines denote the boundary of the claim and form no part of the claimed design.

**1 Claim, 6 Drawing Sheets**

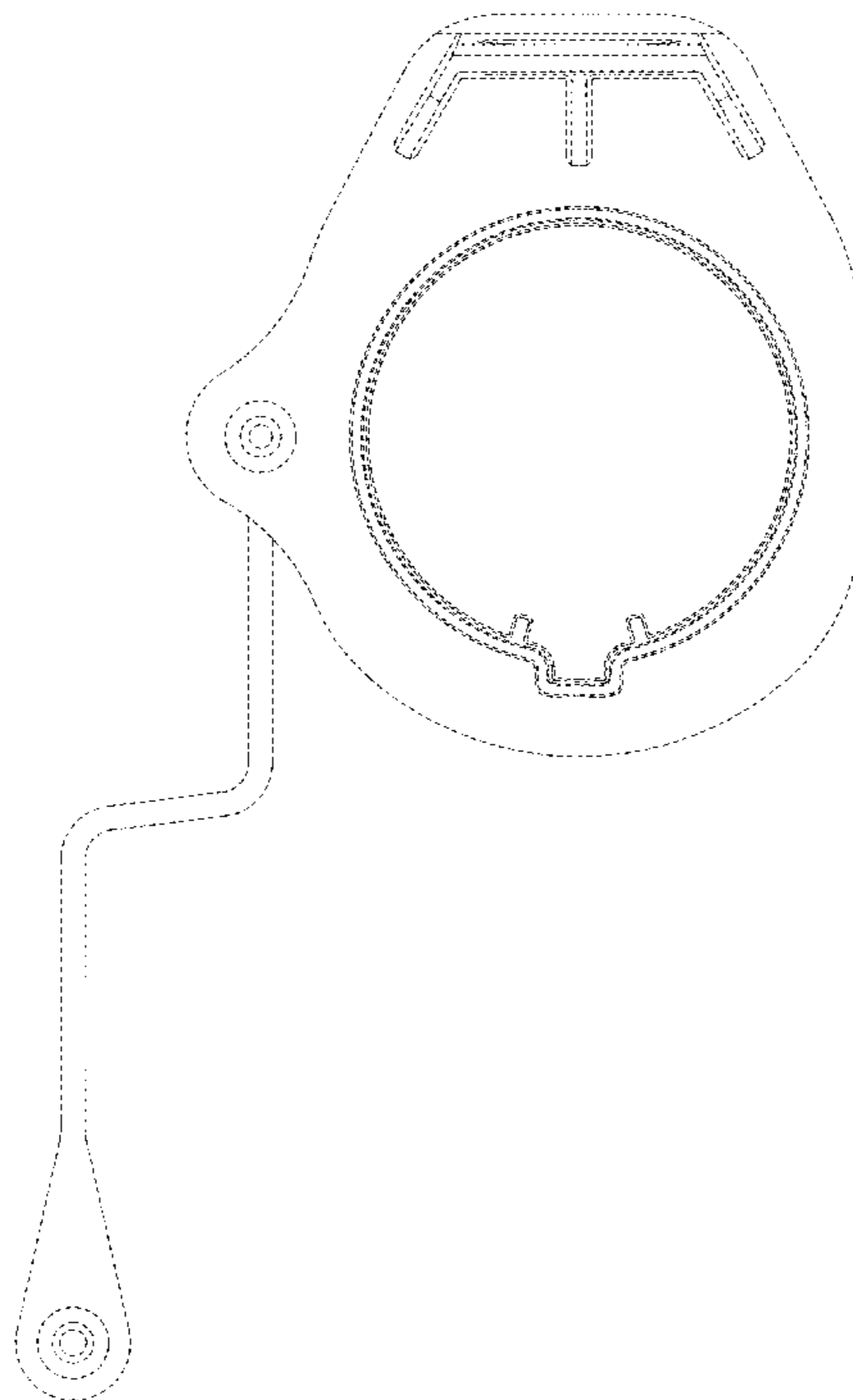


FIG.1

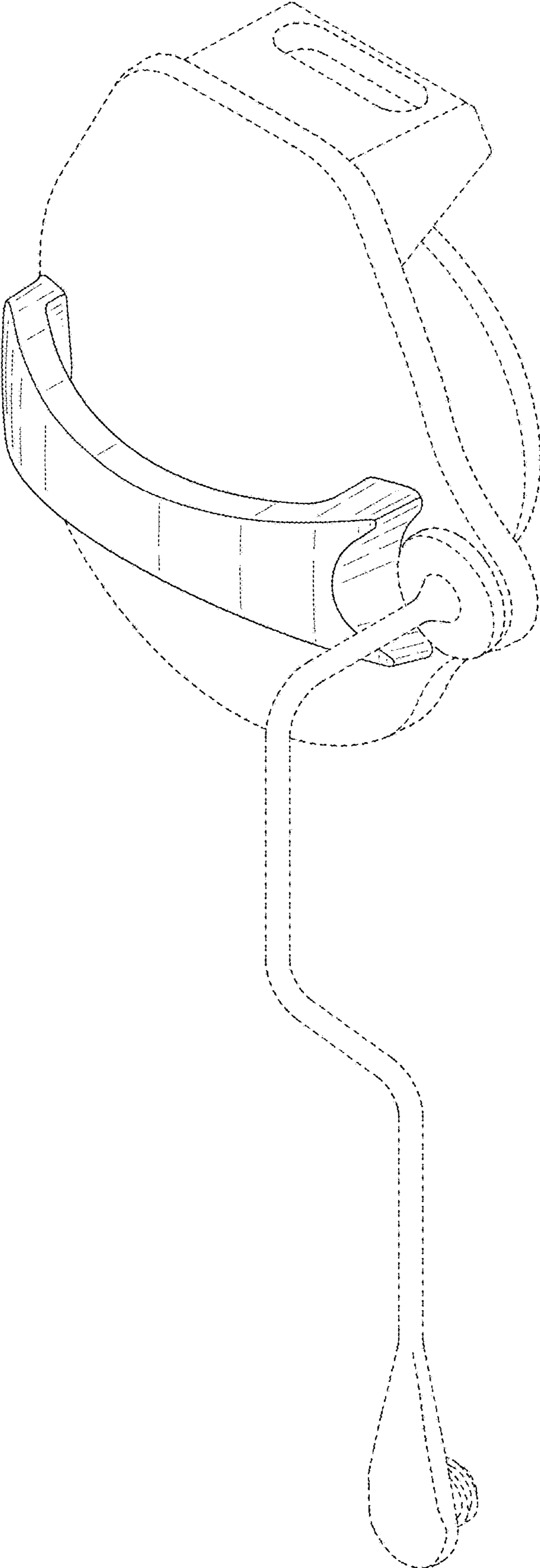


FIG.2

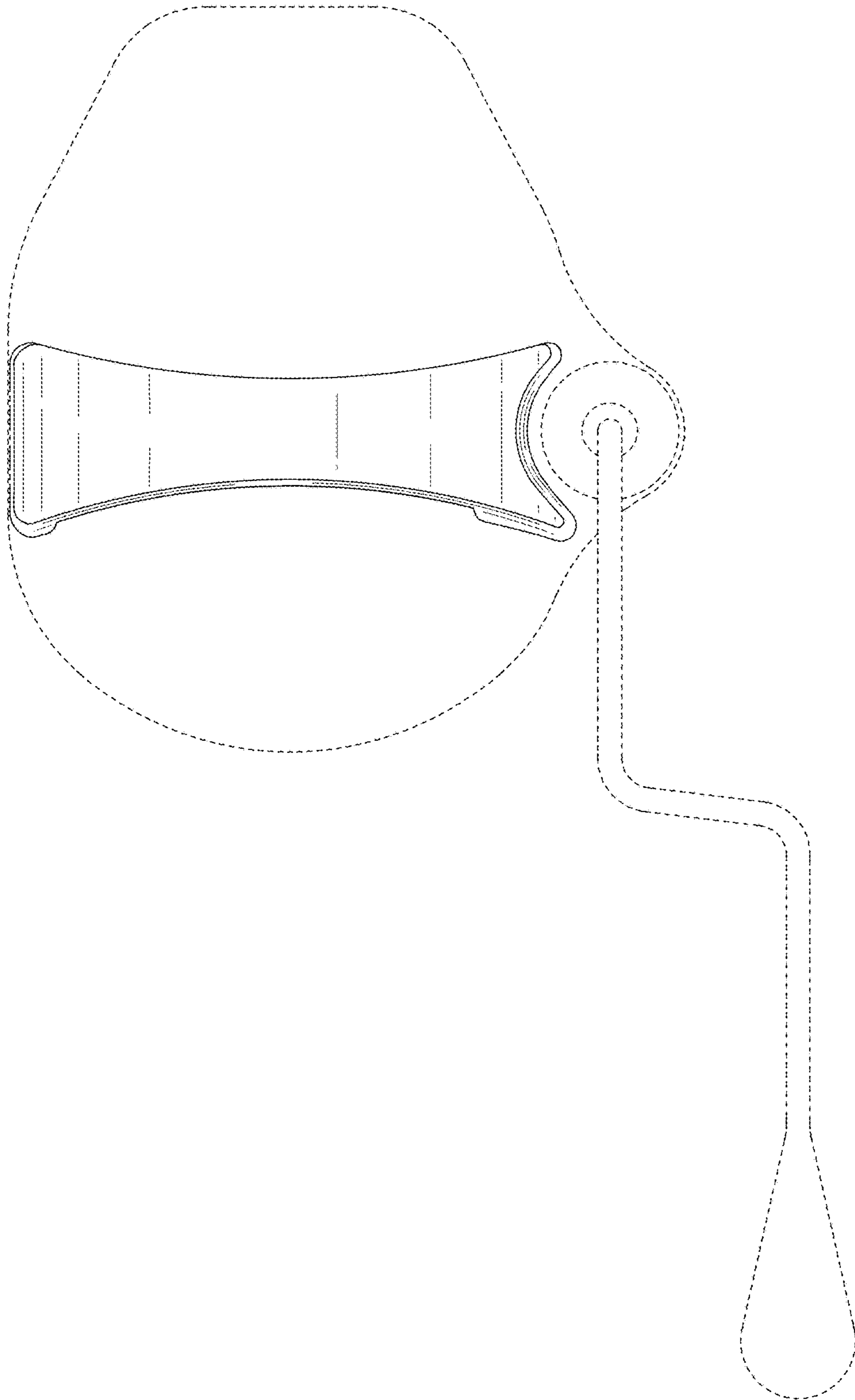


FIG.3

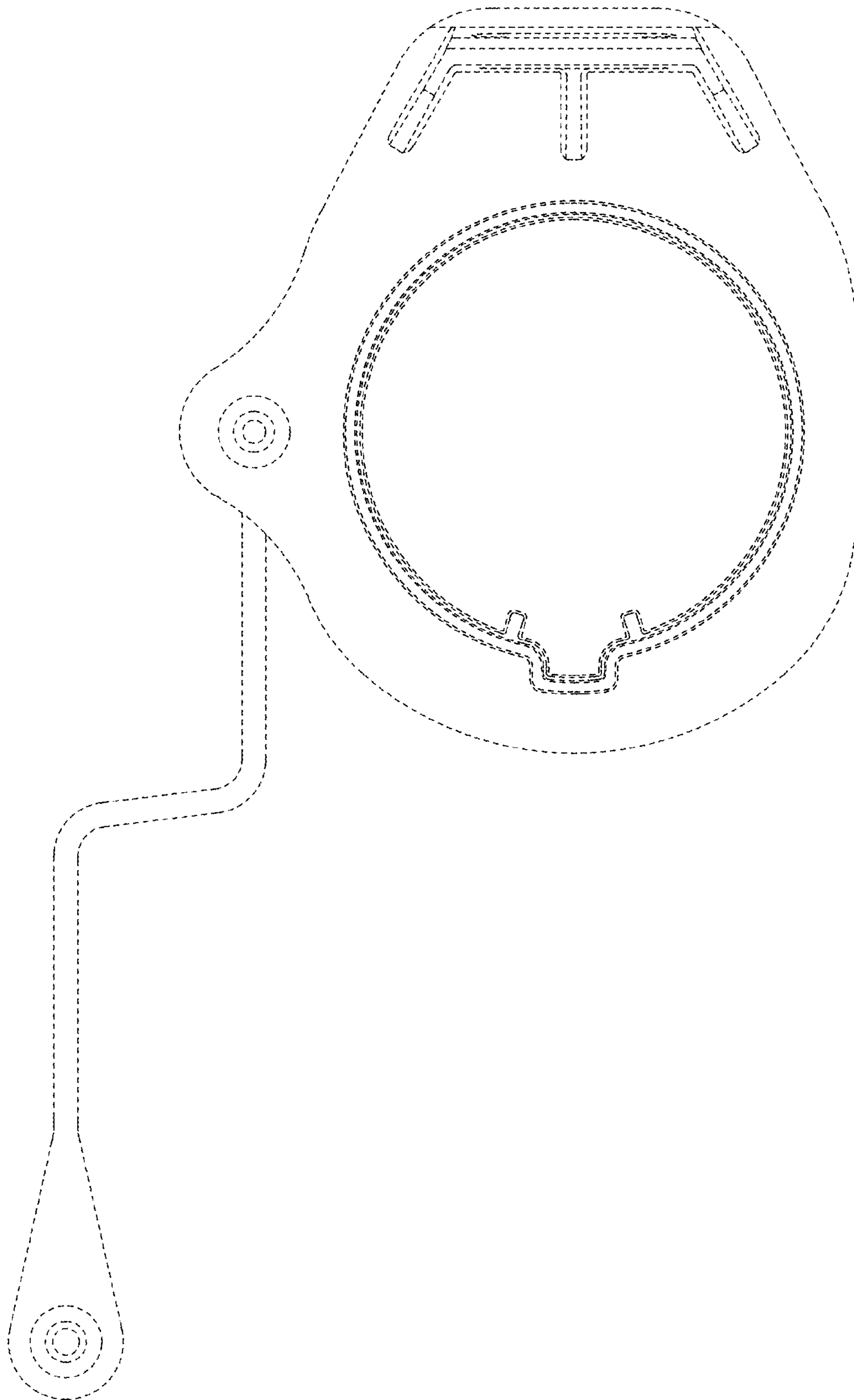


FIG.4

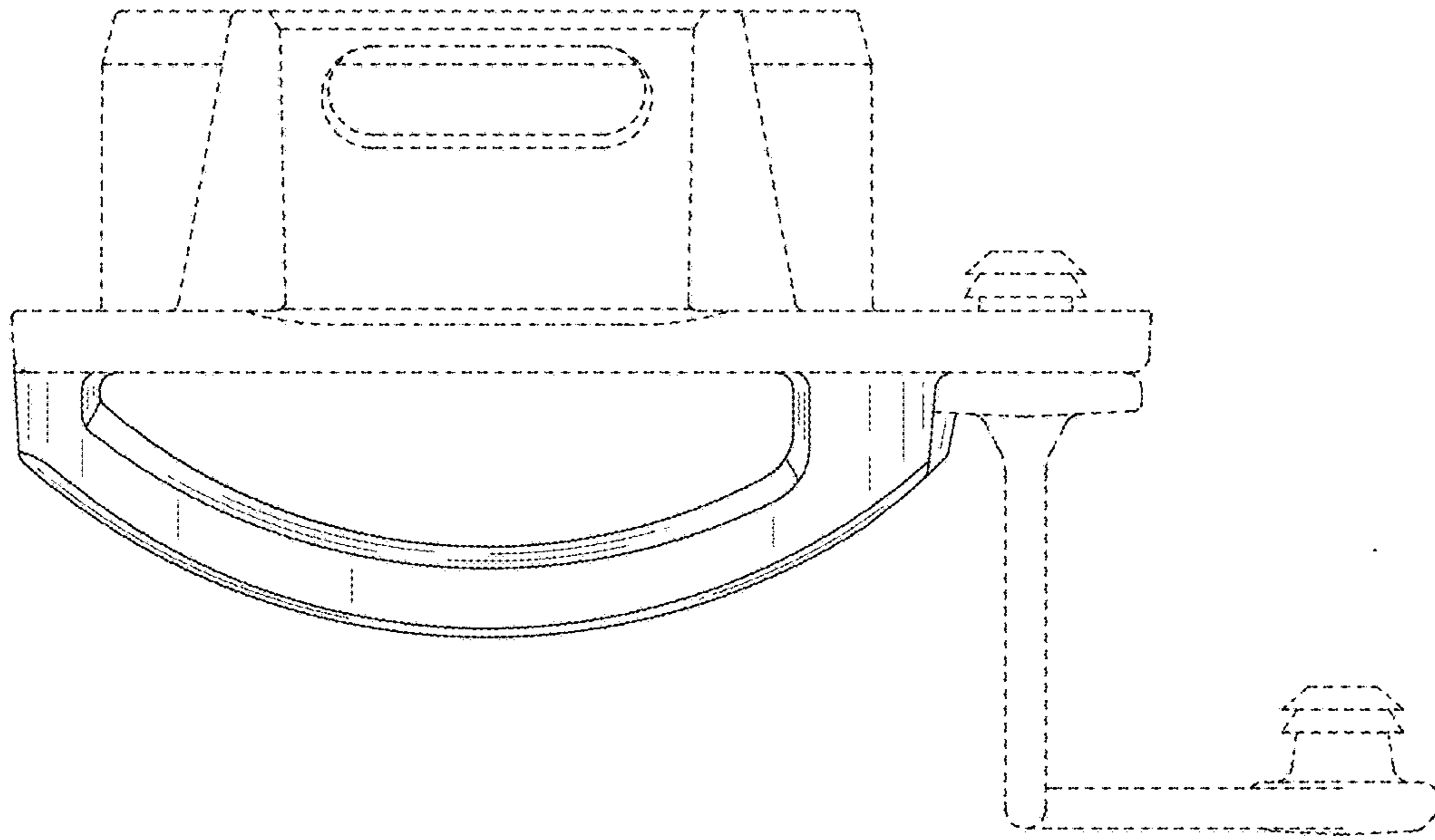


FIG.5

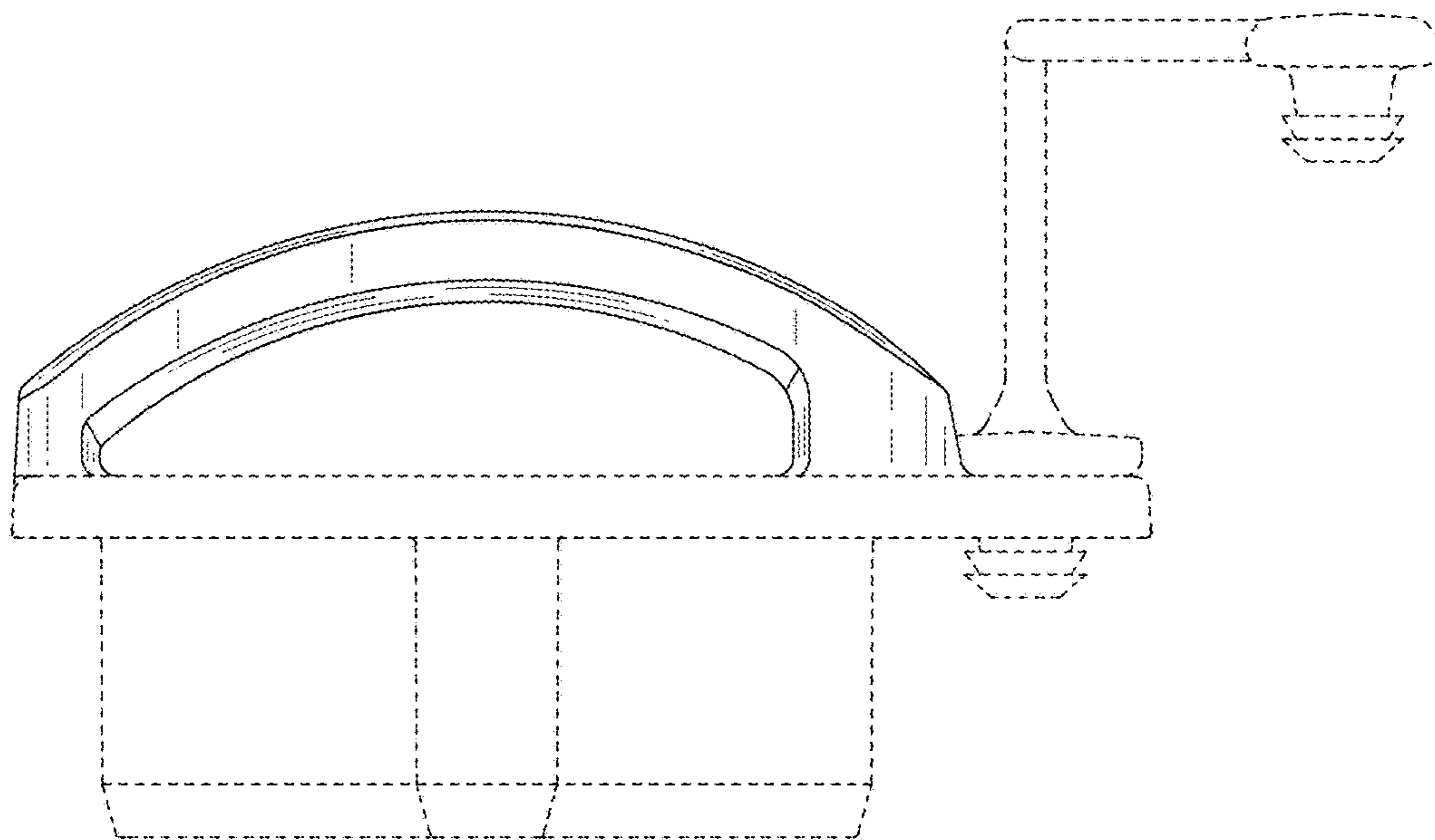


FIG.6

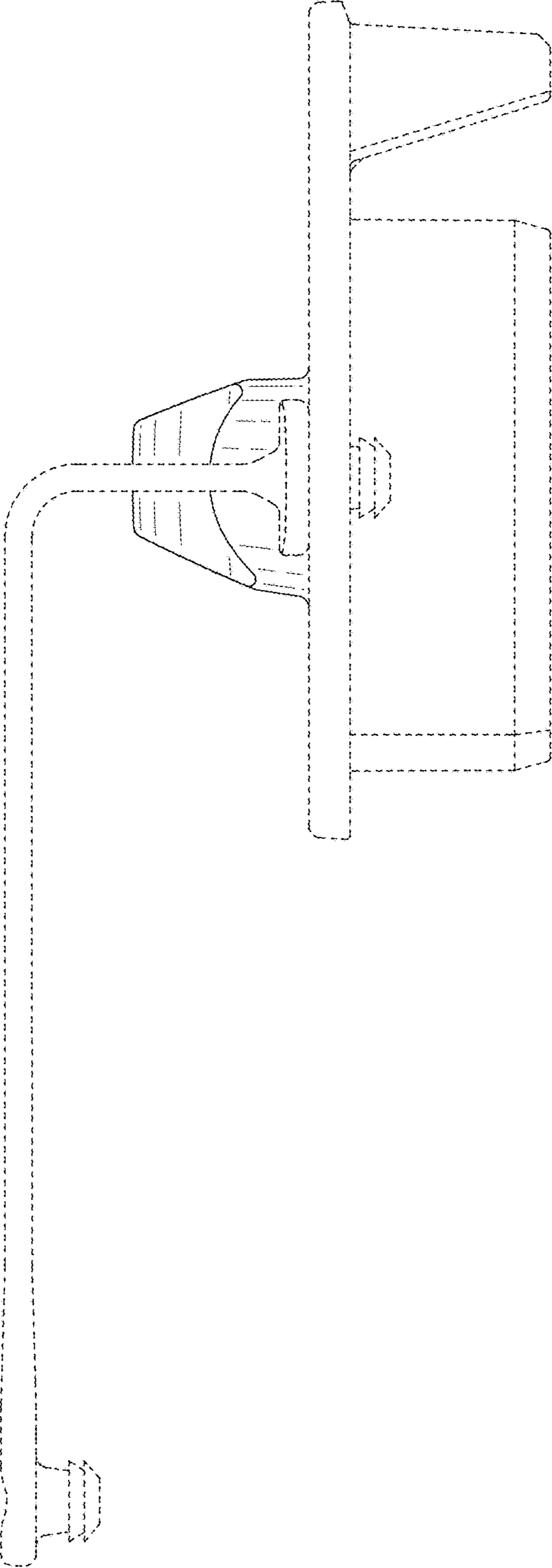


FIG.7

