



US00D864066S

(12) **United States Design Patent** (10) **Patent No.:** **US D864,066 S**
Ray (45) **Date of Patent:** **** Oct. 22, 2019**

(54) **INSTRUMENT PANEL FOR A VEHICLE**
(71) Applicant: **Jaguar Land Rover Limited**, Whitley,
Coventry (GB)
(72) Inventor: **Paul Ray**, Coventry (GB)
(73) Assignee: **Jaguar Land Rover Limited**, Whitley,
Coventry (GB)

D803,743 S * 11/2017 Igarashi D12/192
D804,380 S * 12/2017 Nakai D12/192
D807,266 S * 1/2018 Hasegawa D12/192
D810,643 S * 2/2018 Takamura D12/192
D812,536 S * 3/2018 Matsuda D12/192
D813,769 S * 3/2018 Yaguchi D12/192
D819,533 S * 6/2018 Choi D12/192
D826,122 S * 8/2018 Yamamoto D12/192
D828,260 S * 9/2018 Takagi D12/192
D830,927 S * 10/2018 Tanaka D12/192

(**) Term: **15 Years**
(21) Appl. No.: **29/622,452**
(22) Filed: **Oct. 17, 2017**

* cited by examiner

Primary Examiner — Katrina A Betton
(74) *Attorney, Agent, or Firm* — Wood Herron & Evans
LLP

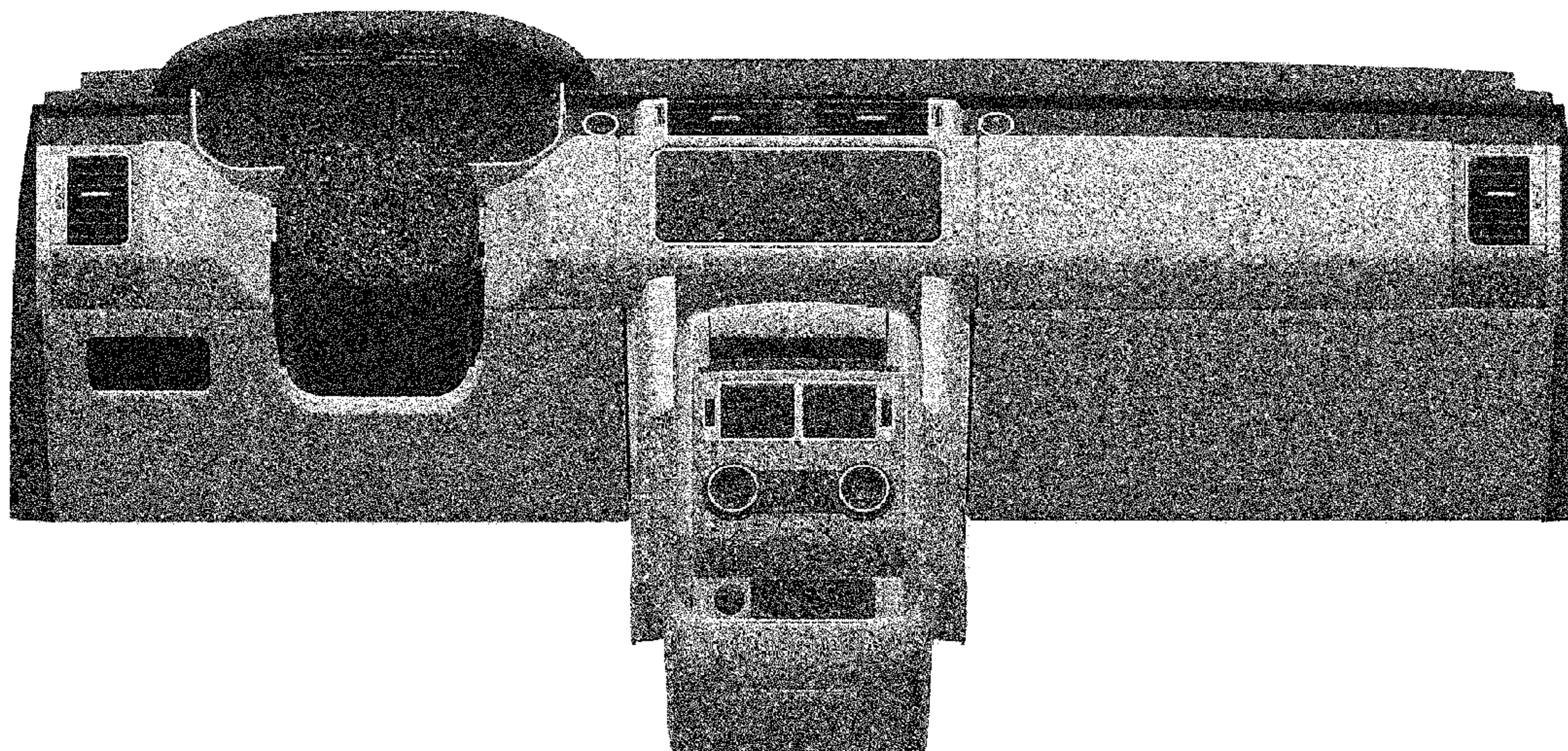
(30) **Foreign Application Priority Data**
Apr. 21, 2017 (EM) 003867100
(51) **LOC (12) Cl.** **12-16**
(52) **U.S. Cl.**
USPC **D12/192**
(58) **Field of Classification Search**
USPC D12/192, 415, 114, 345; D15/17, 28;
D10/46, 98, 102–103, 122–127; D23/324
CPC B60H 1/34; B60H 1/3407; B60H 1/3414;
B60H 1/3421; B60H 1/3428; B60H
1/3435; B60H 1/3442; B60H 1/345;
B60H 1/3457; B60H 2001/3464; B60H
2001/3471; B60H 2001/3478; B60H
2001/3485
See application file for complete search history.

(57) **CLAIM**
The ornamental design for an instrument panel for a vehicle,
as shown and described.

(56) **References Cited**
U.S. PATENT DOCUMENTS
D791,664 S * 7/2017 Igarashi D12/192
D793,931 S * 8/2017 Lee D12/192

DESCRIPTION
FIG. 1 is a front left perspective view of an instrument panel
for a vehicle according to the present invention.
FIG. 2 is a front right perspective view of the instrument
panel for a vehicle shown in FIG. 1.
FIG. 3 is a rear right perspective view thereof.
FIG. 4 is a rear left perspective view thereof.
FIG. 5 is a front view thereof.
FIG. 6 is a rear view thereof.
FIG. 7 is a left side view thereof.
FIG. 8 is a right side view thereof.
FIG. 9 is a top view thereof.
FIG. 10 is a bottom view thereof; and,
FIG. 11 is a right side perspective view of the instrument
panel for a vehicle shown in FIG. 1, along with an accom-
panying center console.

1 Claim, 11 Drawing Sheets



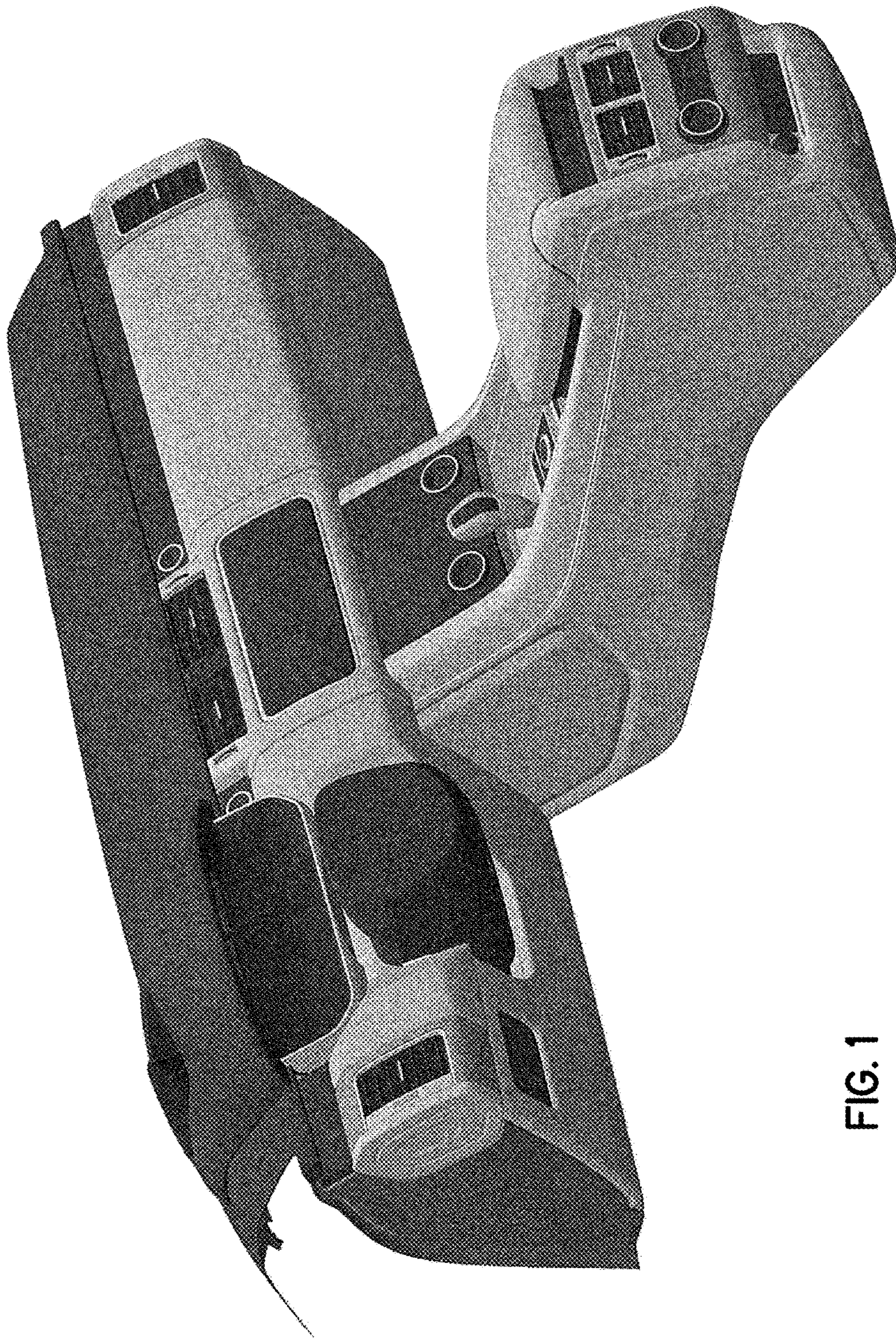


FIG. 1

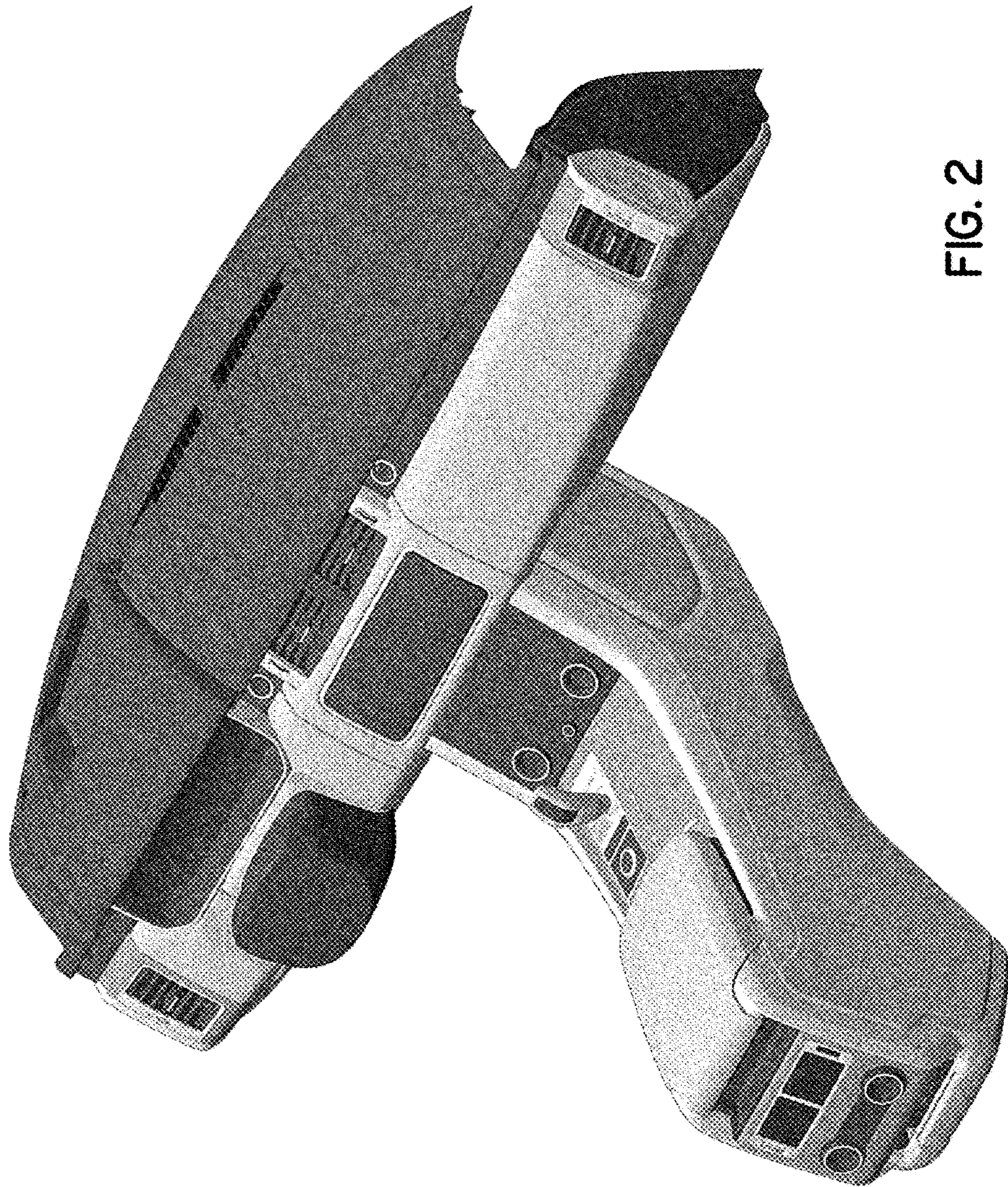


FIG. 2

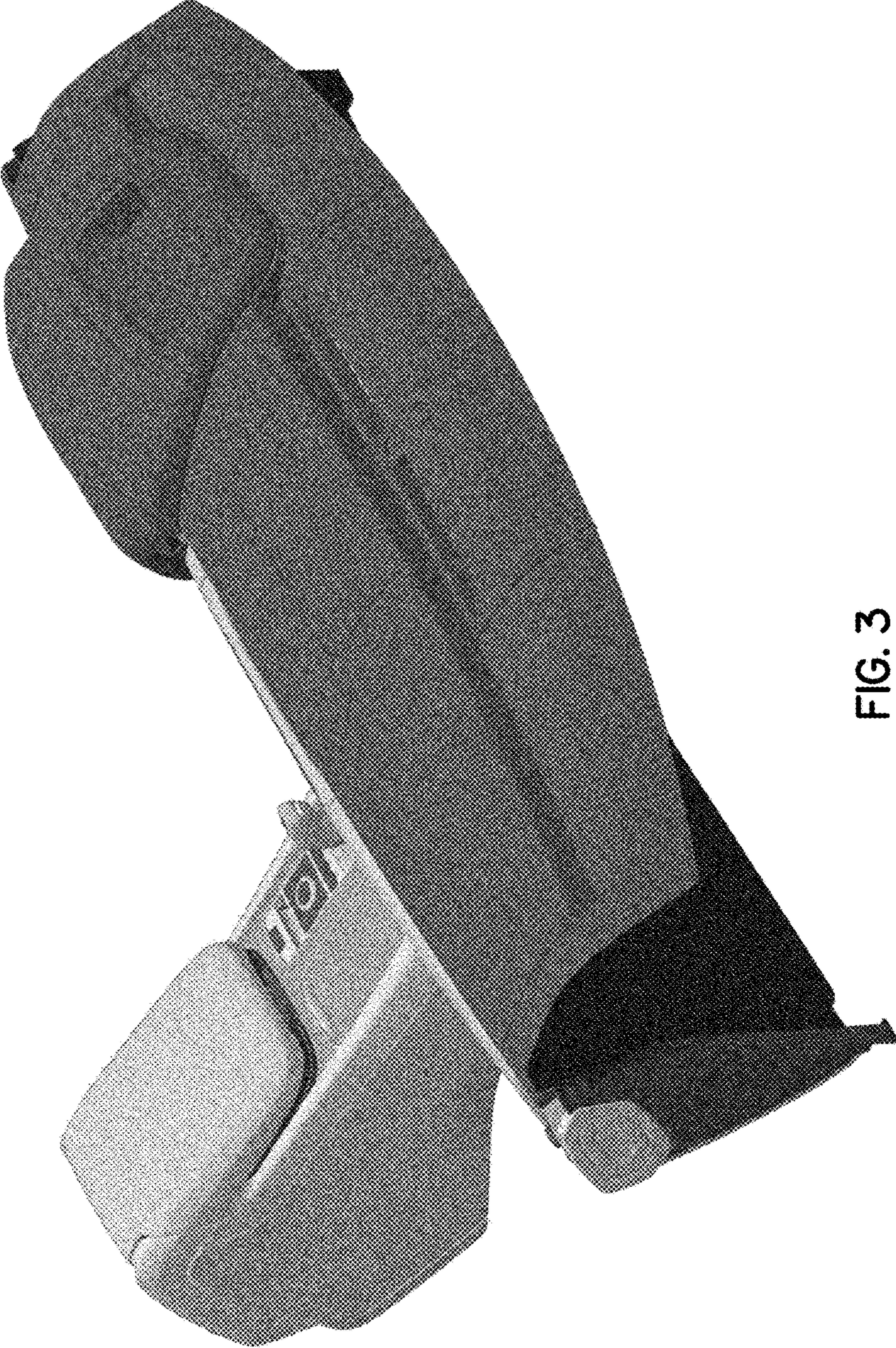


FIG. 3

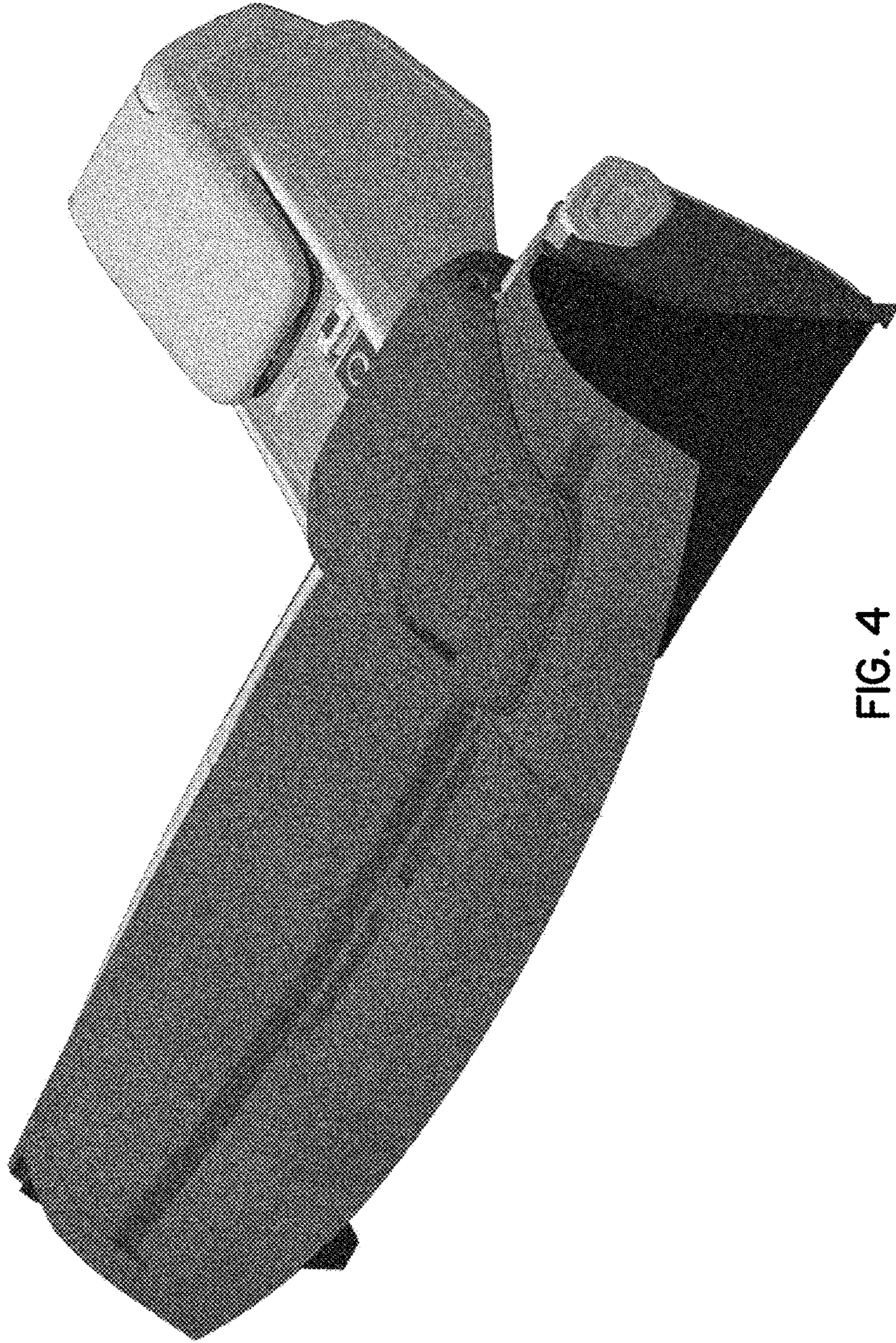


FIG. 4

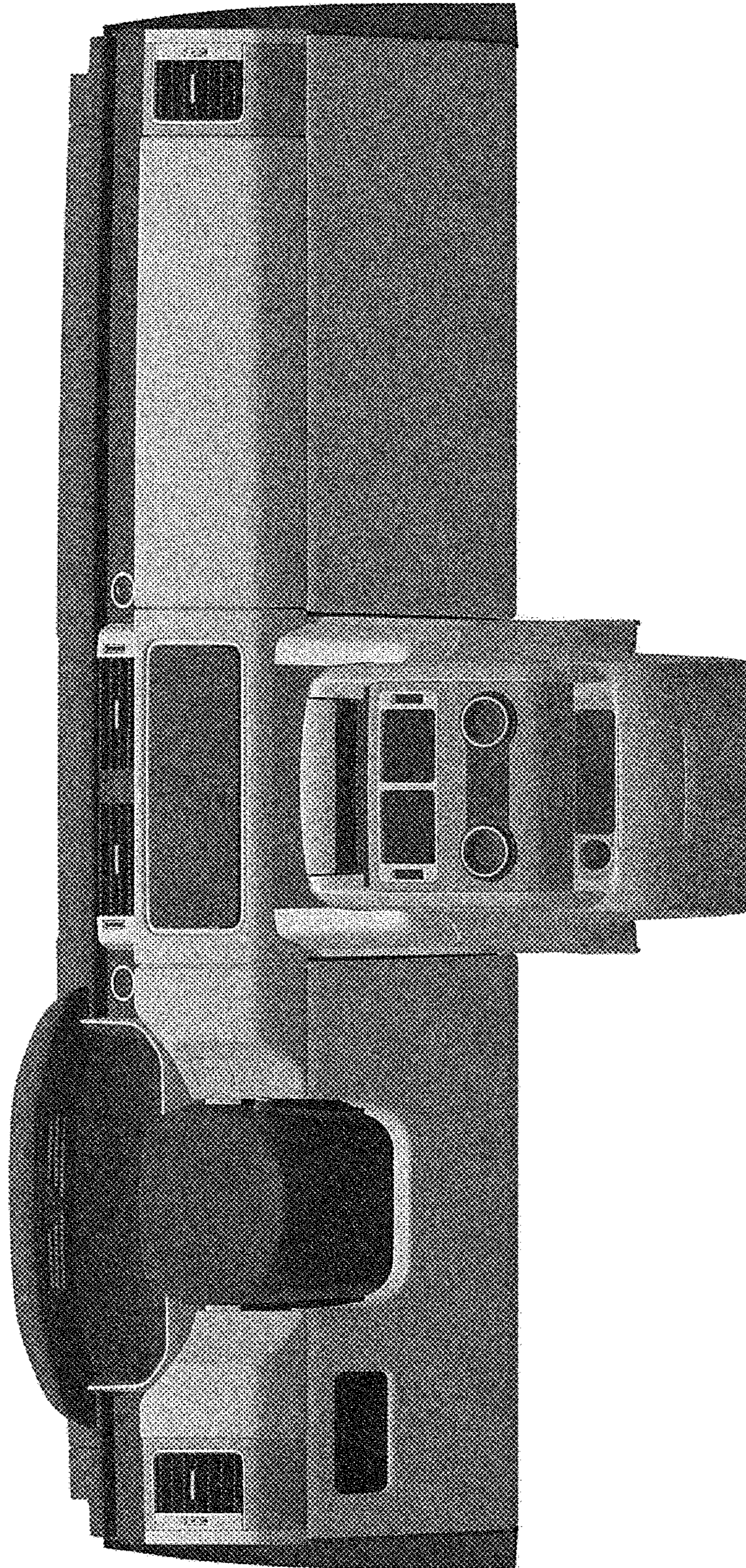


FIG. 5

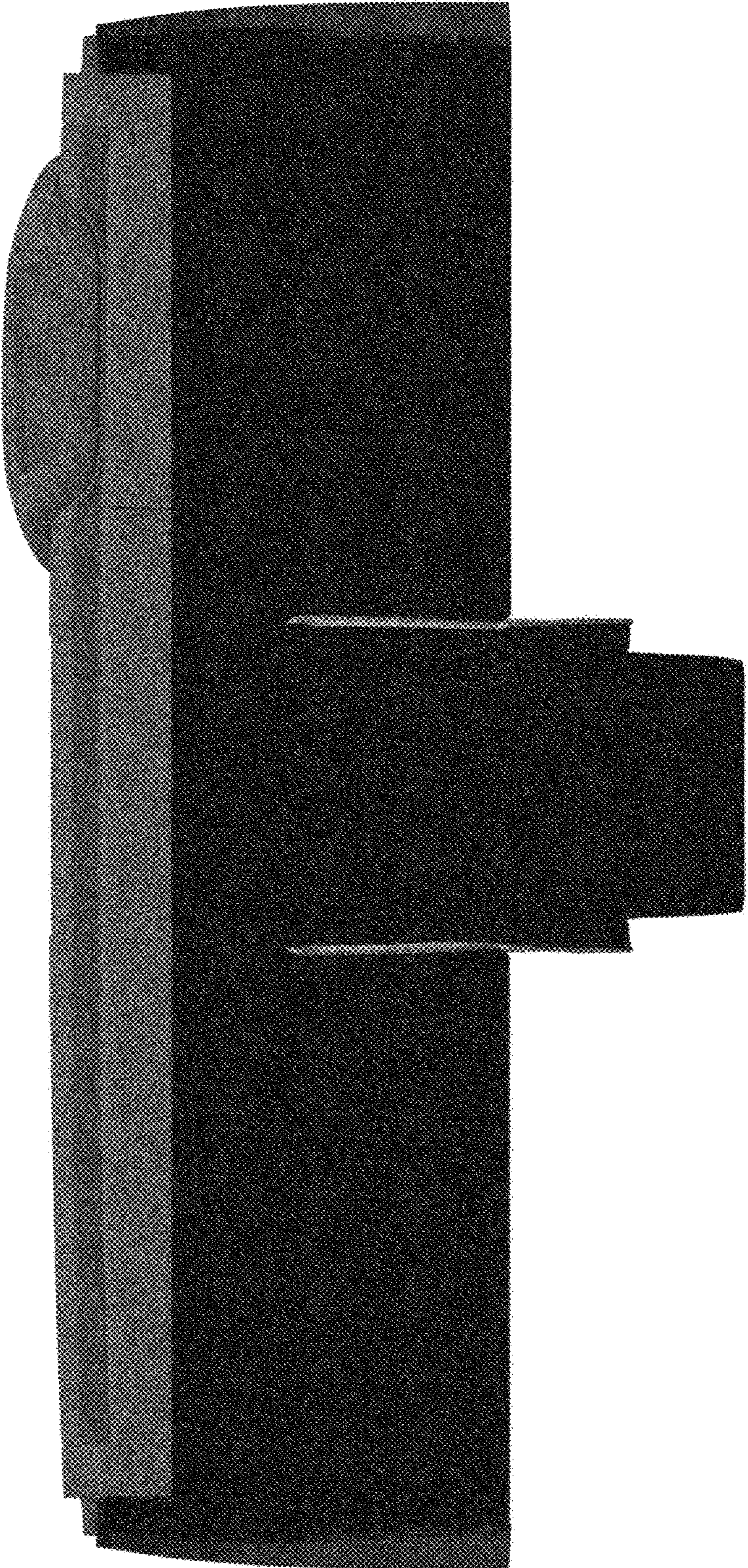


FIG. 6

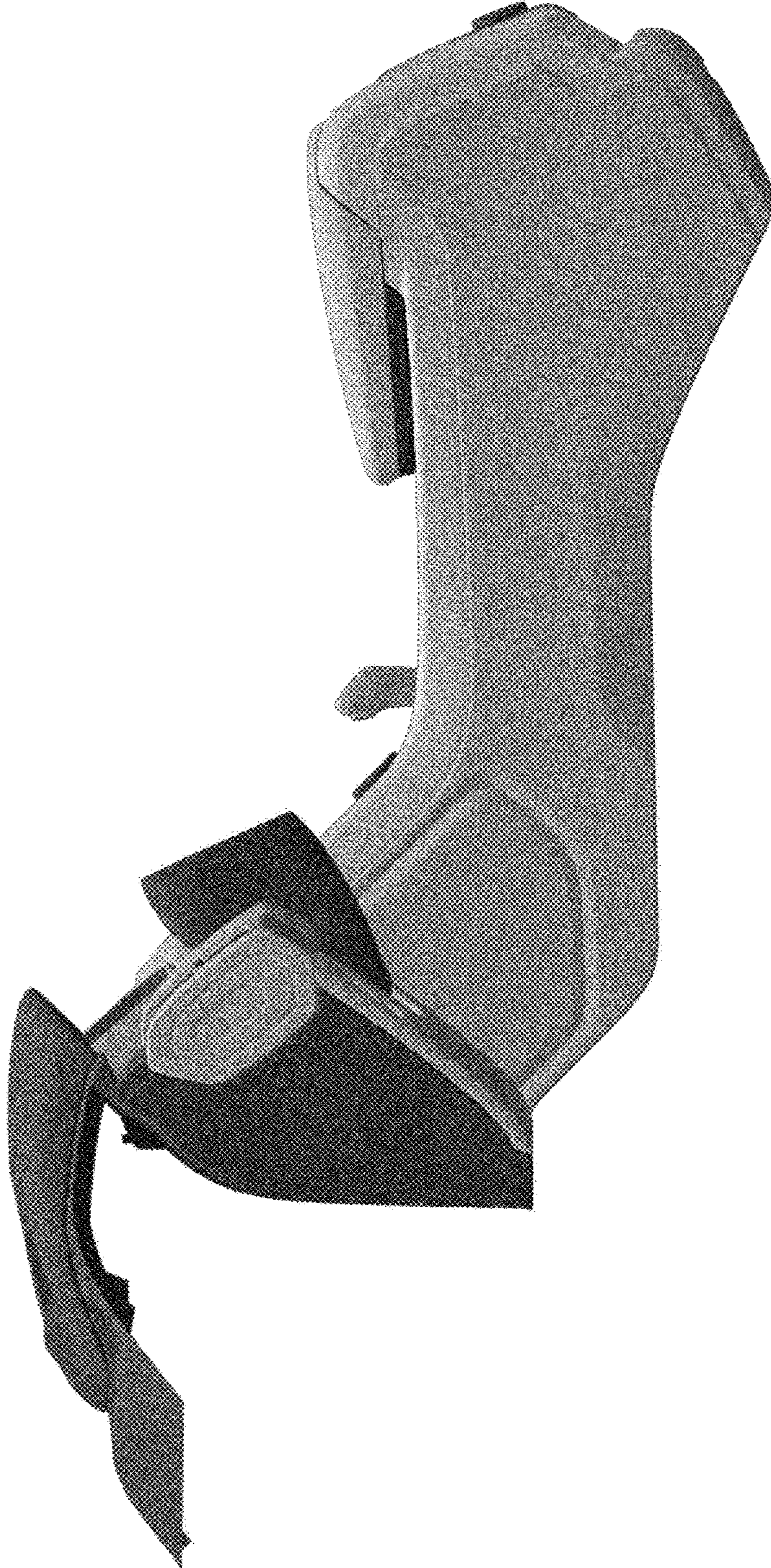


FIG. 7

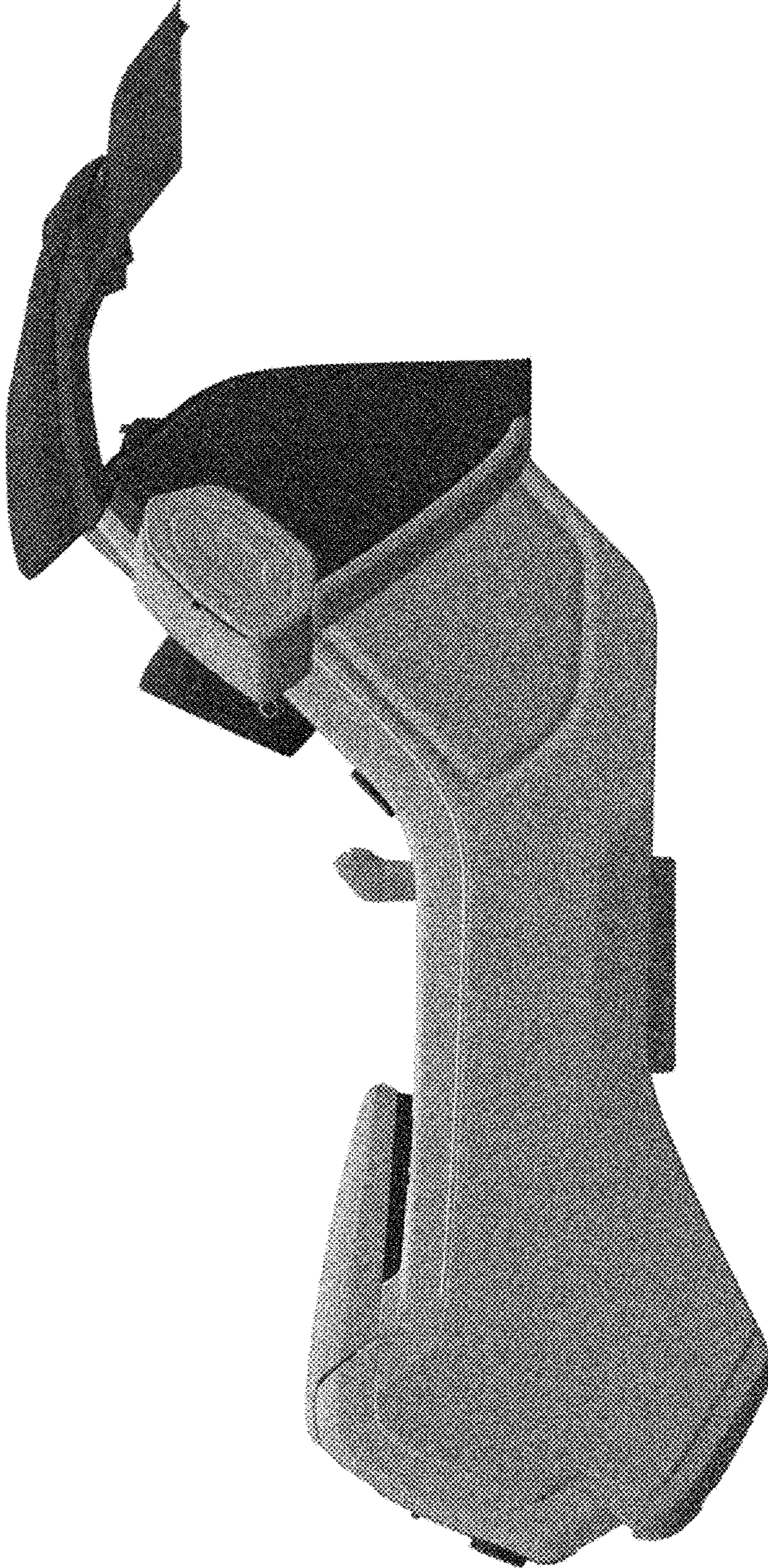


FIG. 8

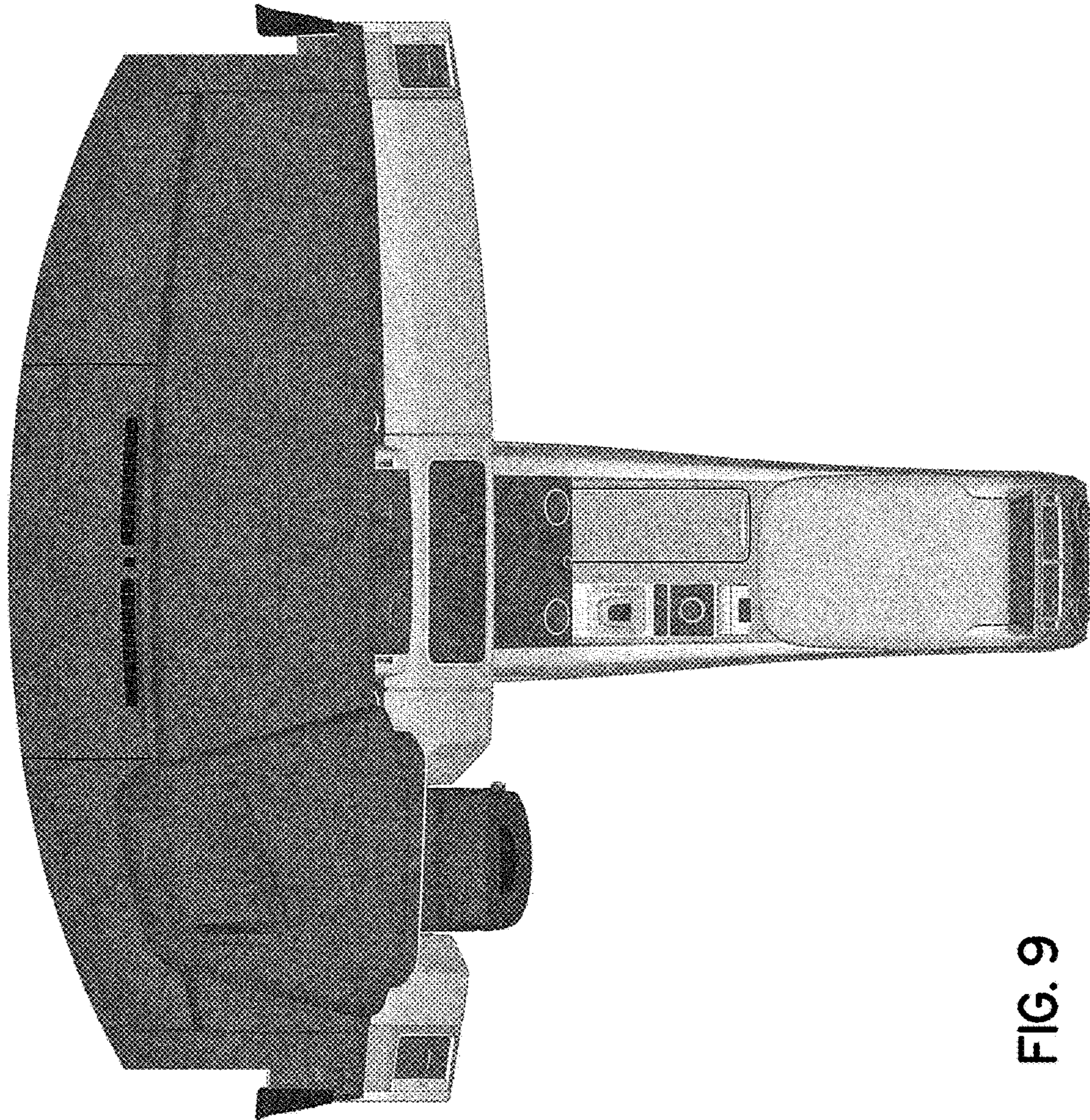


FIG. 9

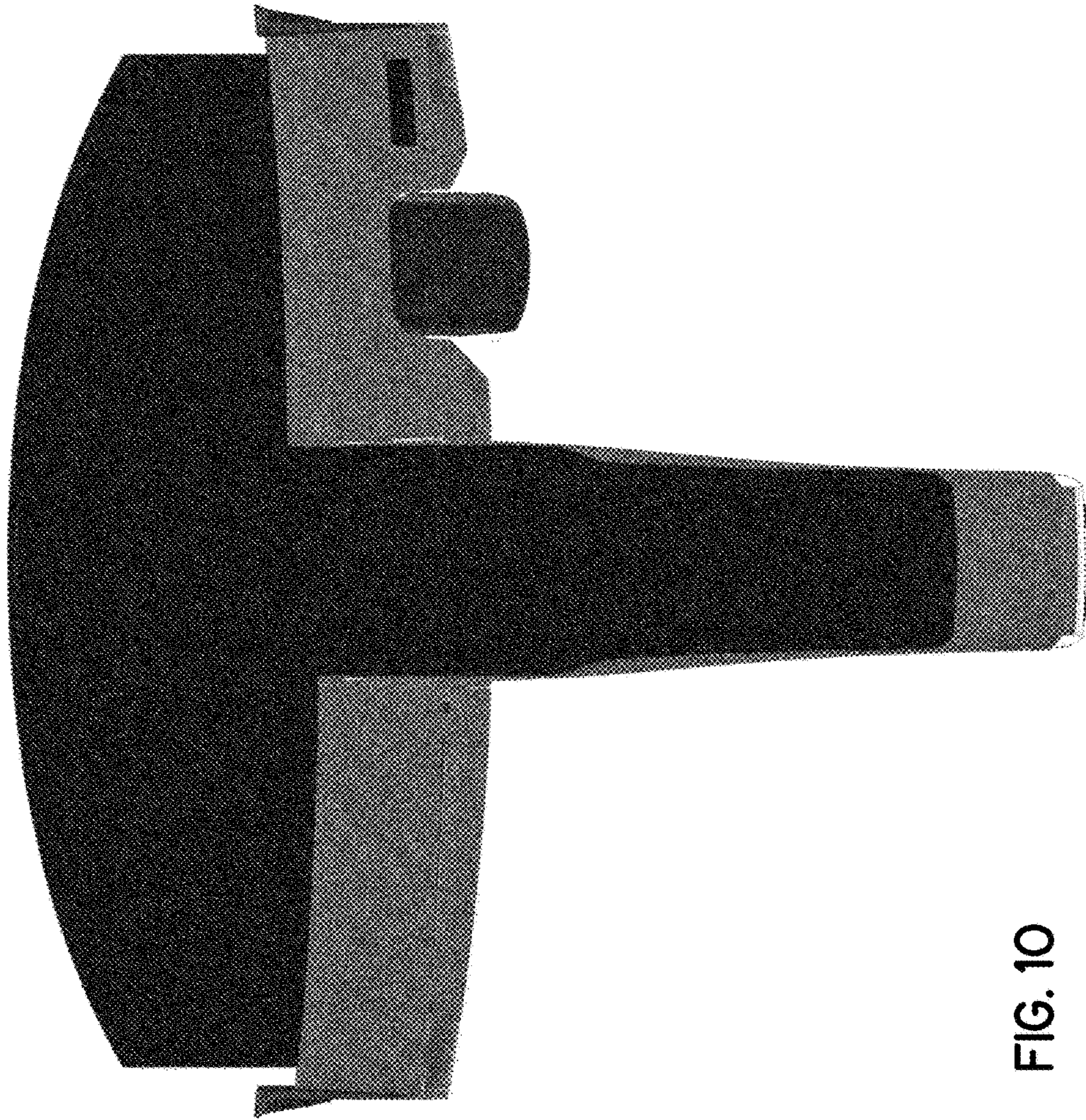


FIG. 10



FIG. 11