



US00D864058S

(12) **United States Design Patent Standard** (10) **Patent No.:** **US D864,058 S**  
(45) **Date of Patent:** **\*\* Oct. 22, 2019**

(54) **MATERIAL HANDLING VEHICLE BUMPER**

(71) Applicant: **The Raymond Corporation**, Greene, NY (US)

(72) Inventor: **Adam W. Standard**, Johnson City, NY (US)

(73) Assignee: **The Raymond Corporation**, Greene, NY (US)

(\*\*) Term: **15 Years**

(21) Appl. No.: **29/643,310**

(22) Filed: **Apr. 6, 2018**

(51) **LOC (12) Cl.** ..... **12-16**

(52) **U.S. Cl.**  
USPC ..... **D12/169**

(58) **Field of Classification Search**  
USPC .... D12/169, 164, 196, 171, 163, 86, 90-92;  
293/102, 113, 115, 117, 120; 296/180.1,  
296/180.2  
CPC ..... B60R 19/02; B60R 19/04; B62D 25/08  
See application file for complete search history.

(56) **References Cited**

**U.S. PATENT DOCUMENTS**

D297,924 S	*	10/1988	Trinnaman	.....	D12/169
D479,699 S	*	9/2003	Boyer	.....	D12/169
D565,484 S	*	4/2008	Johnson	.....	D12/169
D584,200 S	*	1/2009	Leclercq	.....	D12/169
D638,758 S	*	5/2011	Faghihzadeh	.....	D12/169
D682,754 S	*	5/2013	Robinson	.....	D12/169
D684,099 S	*	6/2013	McCabe	.....	D12/169

D695,163 S	*	12/2013	Scheinutte	.....	D12/169
D700,114 S	*	2/2014	Wada	.....	D12/169
D703,117 S	*	4/2014	Osborne	.....	D12/169
D704,604 S	*	5/2014	Okumoto	.....	D12/169
D793,297 S	*	8/2017	Smith	.....	D12/169
D803,737 S	*	11/2017	Granlund	.....	D12/169
D809,439 S	*	2/2018	Ito	.....	D12/169
D818,897 S	*	5/2018	Olsen	.....	D12/169
D819,524 S	*	6/2018	Behmer	.....	D12/169
D820,175 S	*	6/2018	Ishigaki	.....	D12/169
D832,161 S	*	10/2018	Kobayashi	.....	D12/171
D839,148 S	*	1/2019	Chen	.....	D12/169

\* cited by examiner

*Primary Examiner* — Melody N Brown

(74) *Attorney, Agent, or Firm* — Quarles & Brady LLP

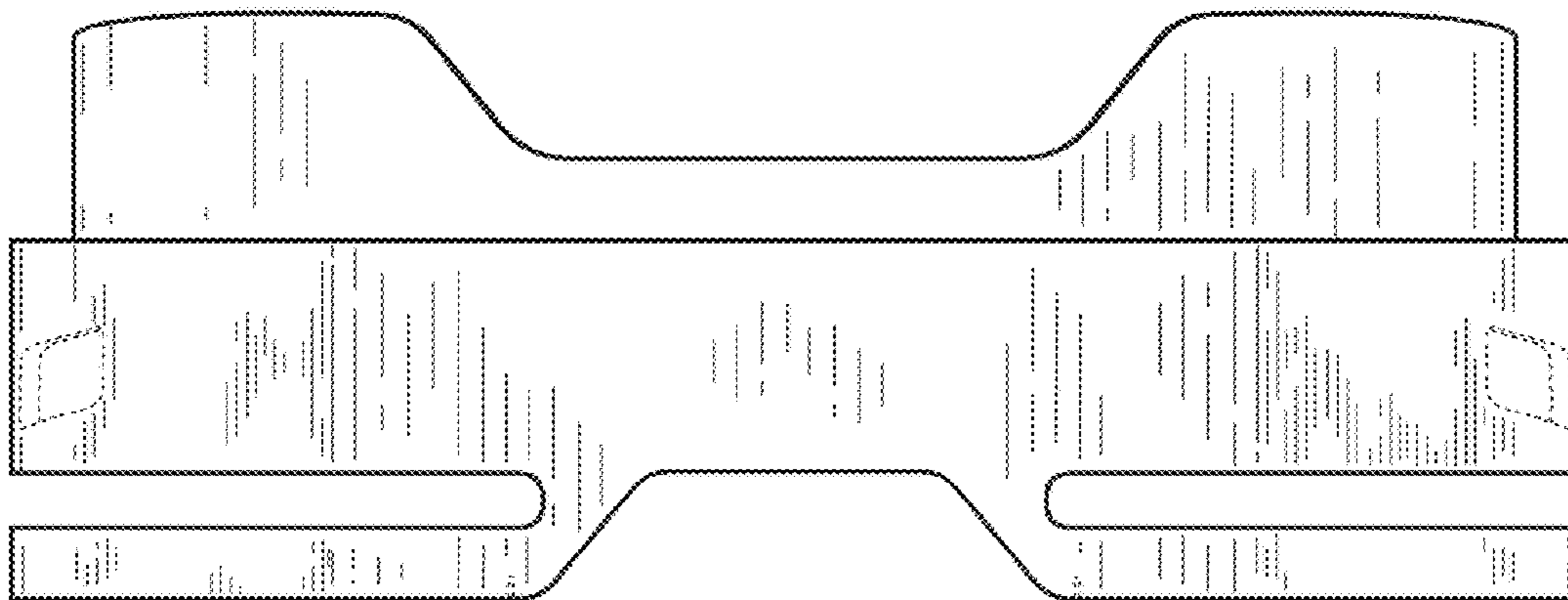
(57) **CLAIM**

The ornamental design for a material handling vehicle bumper, as shown and described.

**DESCRIPTION**

FIG. 1 is a top, front and left side perspective view of a material handling vehicle bumper showing our new design; FIG. 2 is a front elevational view thereof; FIG. 3 is a rear elevational view thereof; FIG. 4 is a top plan view thereof; FIG. 5 is a bottom plan view thereof; FIG. 6 is a right side elevational view thereof; and, FIG. 7 is a left side elevational view thereof. The portions of the bumper shown in broken lines are shown for illustrative purposes and form no part of the claimed design.

**1 Claim, 4 Drawing Sheets**



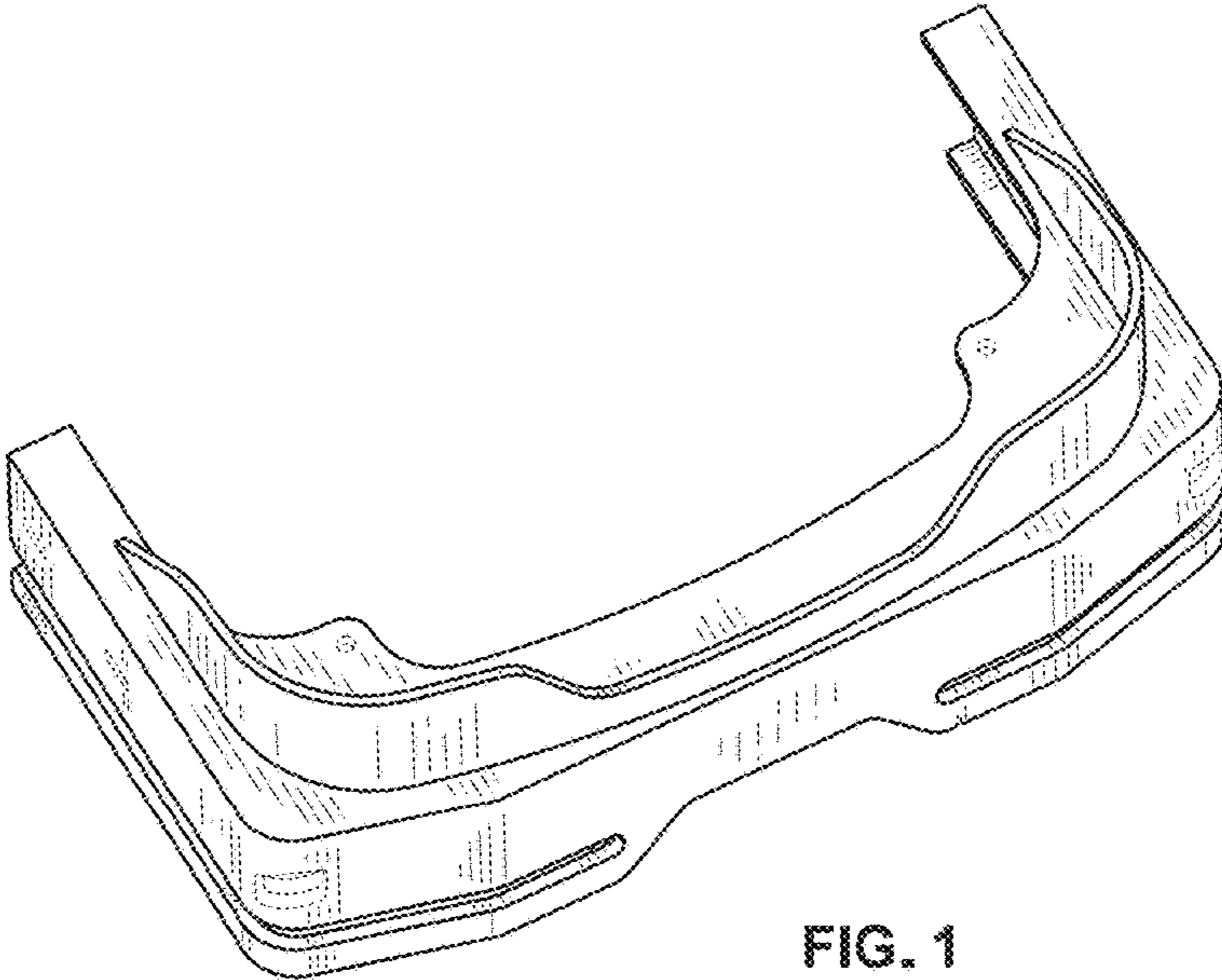


FIG. 1

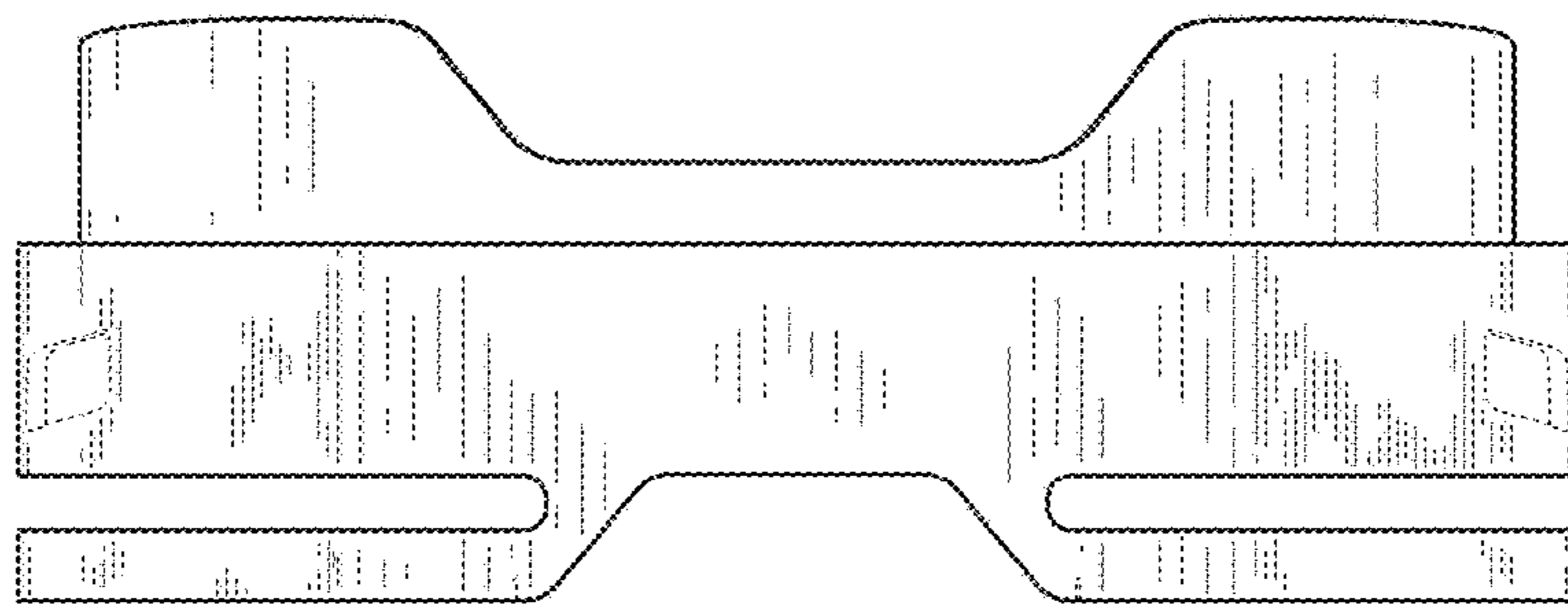


FIG. 2

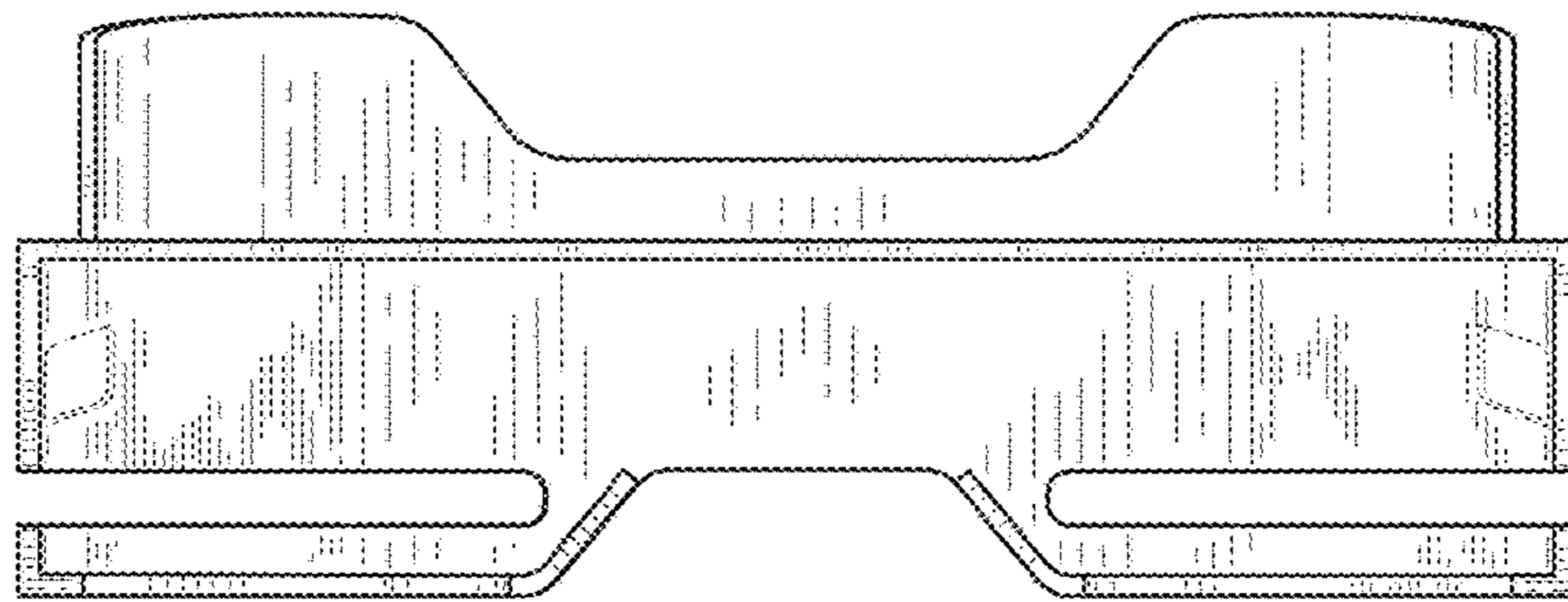


FIG. 3

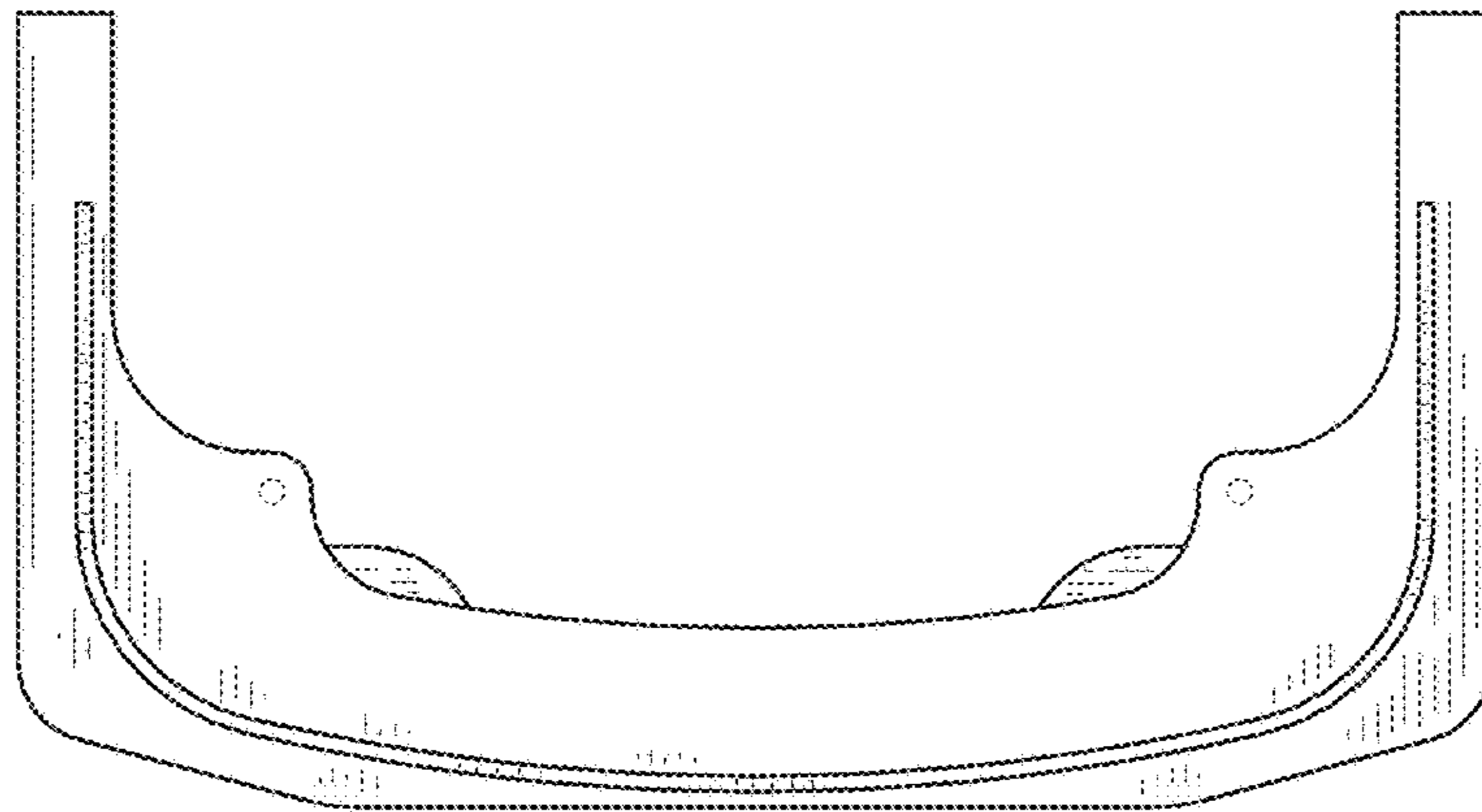


FIG. 4

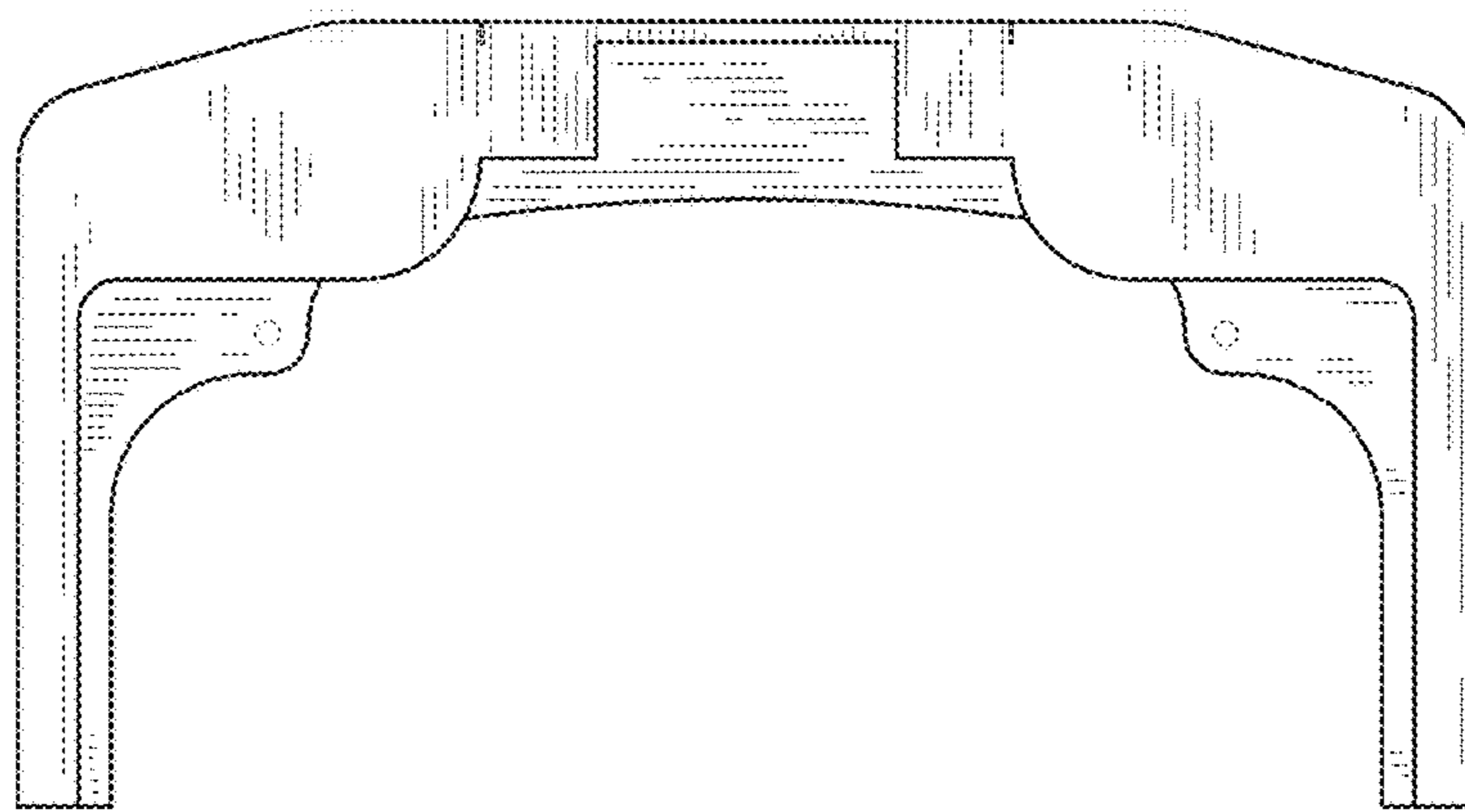


FIG. 5

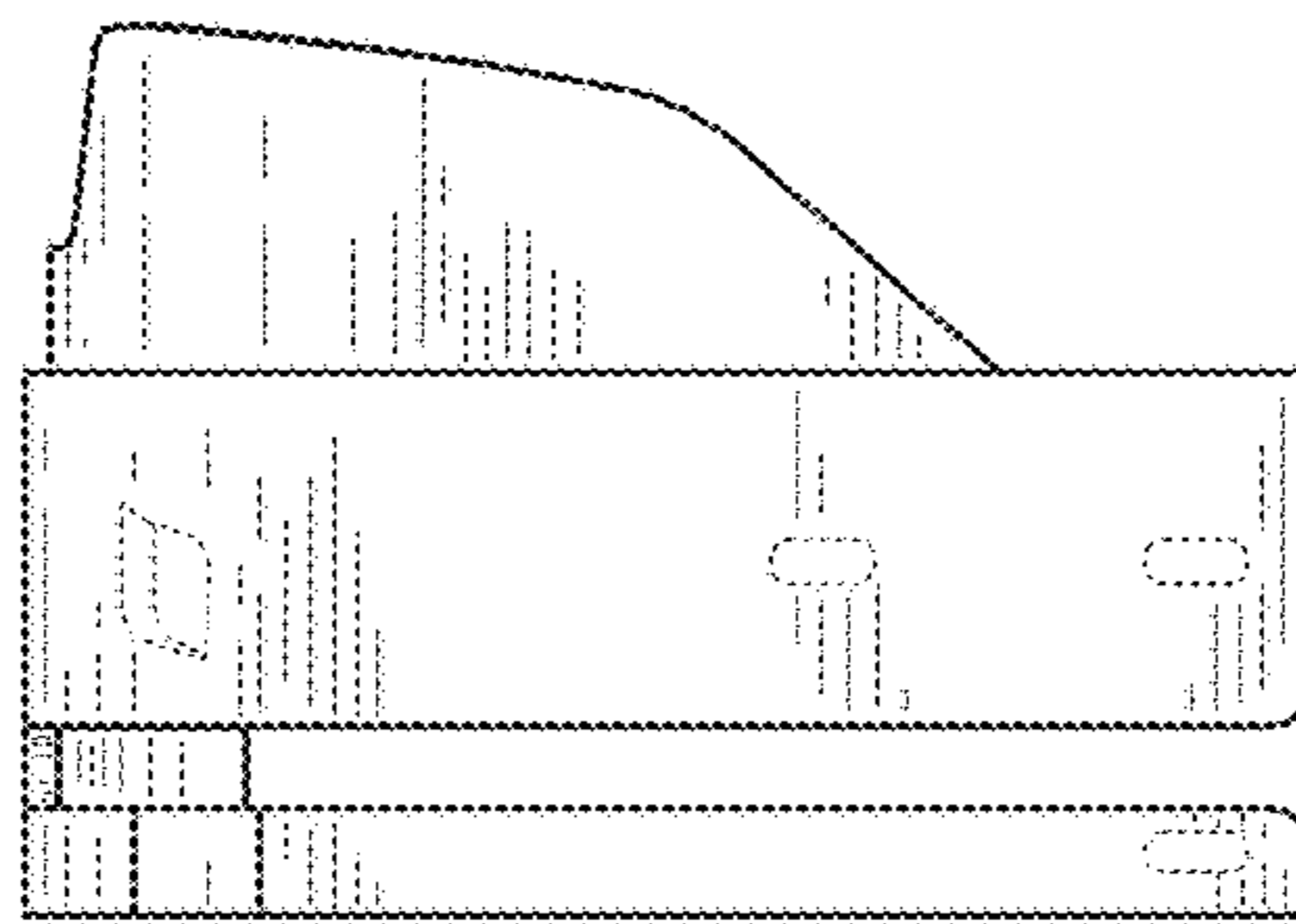


FIG. 6

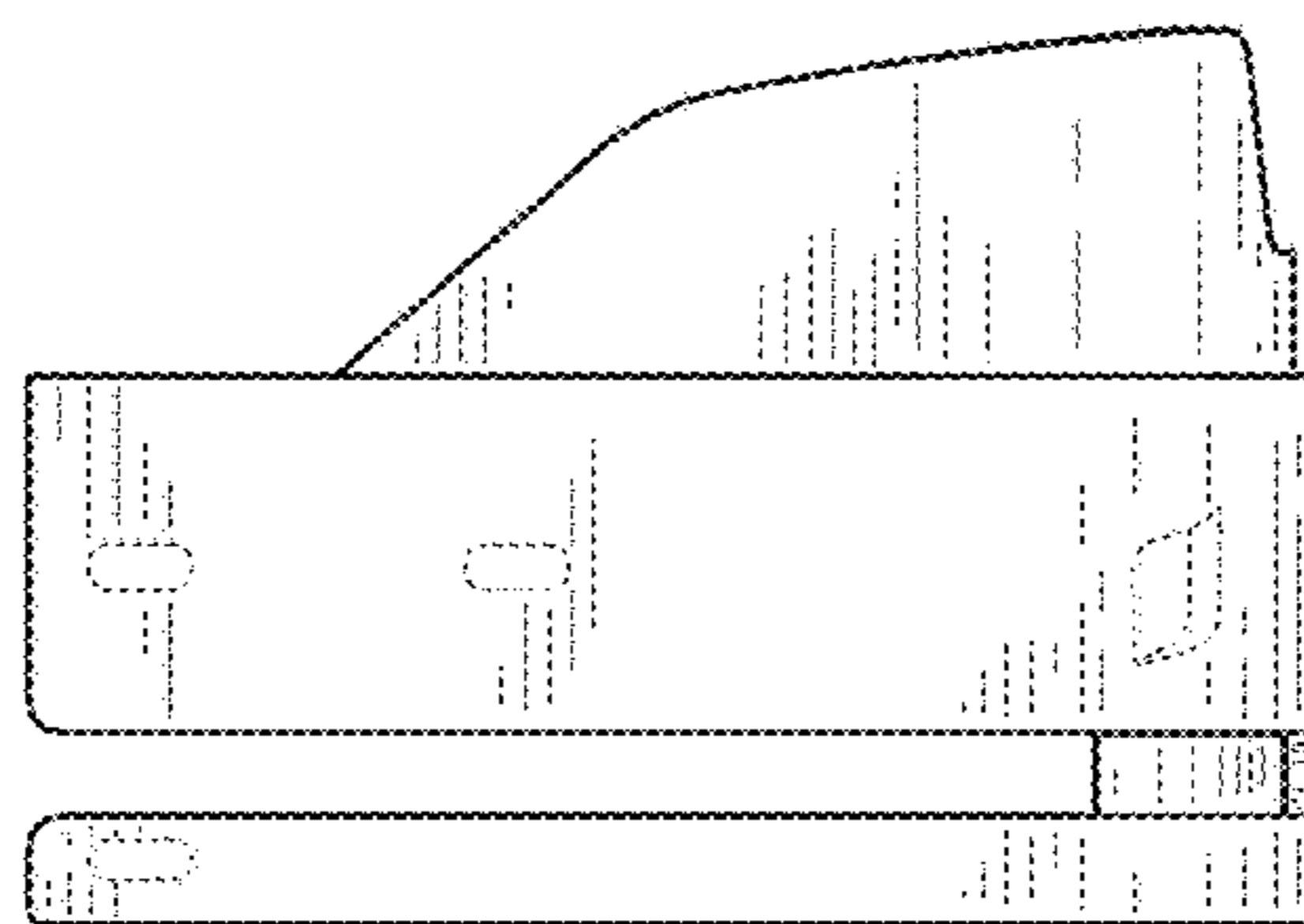


FIG. 7