

US00D864048S

(12) **United States Design Patent** (10) **Patent No.:** **US D864,048 S**
Gittin, Jr. et al. (45) **Date of Patent:** **** Oct. 22, 2019**

(54) **GRILLE FOR A TRUCK**
(71) Applicant: **Vaughn Gittin, Jr.**, Huntersville, NC (US)
(72) Inventors: **Vaughn Gittin, Jr.**, Huntersville, NC (US); **Lindsay Ross**, Charlotte, NC (US)
(73) Assignee: **Vaughn Gittin, Jr.**, Charlotte, NC (US)

(**) Term: **15 Years**

(21) Appl. No.: **29/624,032**

(22) Filed: **Oct. 30, 2017**

(51) **LOC (12) Cl.** **12-16**

(52) **U.S. Cl.**
USPC **D12/163**

(58) **Field of Classification Search**
USPC D12/163, 164, 165, 166, 167, 168, 169, D12/170, 171, 172, 173, 181
CPC B60K 11/08; B62L 39/16; B60R 19/50; B62D 25/08
See application file for complete search history.

(56) **References Cited**

U.S. PATENT DOCUMENTS

6,328,358	B1 *	12/2001	Berweiler	B60R 19/52	180/68.6
D495,979	S *	9/2004	Metros	D12/163	
D579,829	S *	11/2008	Hokao	D12/163	
D598,334	S *	8/2009	Giachin	D12/163	
D660,751	S *	5/2012	Matei	D12/163	
D683,668	S *	6/2013	Thurber	D12/163	
D703,111	S *	4/2014	Platto	D12/163	
D716,195	S *	10/2014	Sperling	D12/163	
D718,673	S *	12/2014	Thole	D12/163	
D729,705	S *	5/2015	Gunnarson	D12/163	
D754,572	S *	4/2016	McMahan	D12/163	
D761,163	S *	7/2016	Sato	D12/164	
9,475,433	B1 *	10/2016	Mallory, III	B60R 13/00	
D790,409	S *	6/2017	Baste	D12/163	

D790,411	S *	6/2017	Labanowicz	D12/163	
2005/0006928	A1 *	1/2005	Diehl	B60R 19/52	296/193.1
2006/0119115	A1 *	6/2006	Filip	B60R 19/52	293/115
2006/0237995	A1 *	10/2006	Huttenlocher	B60R 13/005	296/193.1
2007/0199751	A1 *	8/2007	Bradley	B60K 11/085	180/68.1

(Continued)

OTHER PUBLICATIONS

Ebay,EAG ABS LED Vicious Packaged Mesh Grille W/Raptor,https://www.ebay.com/sch/sis.html?_itemId=null&_nkw=EAG+ABS+LED+Vicious+Packaged+Mesh+Gril&_trksid, downloaded Sep. 26, 2017.

(Continued)

Primary Examiner — Susan Bennett Hattan

Assistant Examiner — Suzanne E Tisdell

(74) *Attorney, Agent, or Firm* — Pitts & Lake, P.C.

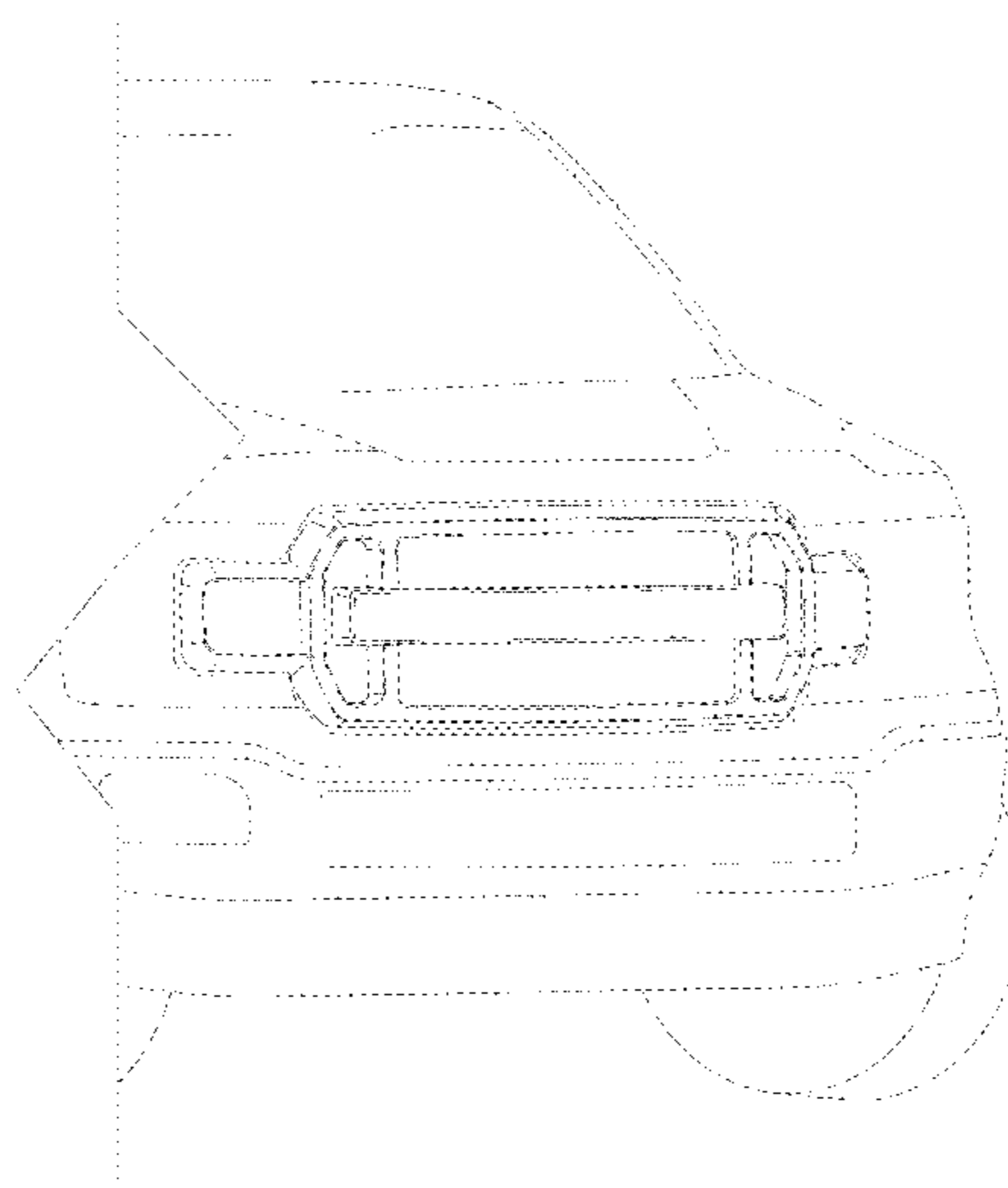
(57) **CLAIM**

The ornamental design for a grille for a truck, as shown and described.

DESCRIPTION

FIG. 1 is a perspective view of a grille for a truck represented in a lite truck showing my new design; FIG. 2 is a perspective view of the grille for a truck; FIG. 3 is a front elevation view thereof; FIG. 4 is a rear elevation view thereof; FIG. 5 is a top plan view thereof; FIG. 6 is a bottom plan view thereof; and, FIG. 7 is a left elevation view thereof, of which the right elevational view is a mirror image. Evenly-spaced broken lines included in the drawings depict environmental subject matter that forms no part of the claimed design.

1 Claim, 6 Drawing Sheets



(56)

References Cited

U.S. PATENT DOCUMENTS

2014/0291056 A1* 10/2014 Takanaga B60K 11/085
180/274
2017/0106741 A1* 4/2017 Shaw B60K 11/085
2017/0137954 A1* 5/2017 Hashimoto B60K 11/08

OTHER PUBLICATIONS

Ebay, 2009-2014 Ford F150 Black Vicious Style Black Mesh Bumper Hood Grille, <https://www.ebay.com/itm/2009-2014-Ford-F150-Black-Vicious-Style-B>, downloaded Sep. 26, 2017.

Ebay, 06-09 Dodge Ram Rivet Black Stainless Steel Wire Mesh Grille W/ Shel., <https://www.ebay.com/itm/06-09-Dodge-Ram-Rivet-Black-Stainless-Ste..>, downloaded Sep. 26, 2017.

Ebay, 2009-2014 Ford F150 Raptor Style Bumper Hood Grille Carbon Fiber Look w/Shell <https://www.ebay.com/itm/2009-2014-Ford-F150-Raptor-Style-Bumper> . . . , downloaded Sep. 26, 2017.

Ebay,EAG Matte Black ABS Vicious Style Front Hood LED Mesh Grille for 15-17 Ford F-150, <https://www.ebay.com/p/EAG-Matte-Black-ABS-Vicious-Style-Front-H>, downloaded Sep. 26, 2017.

* cited by examiner

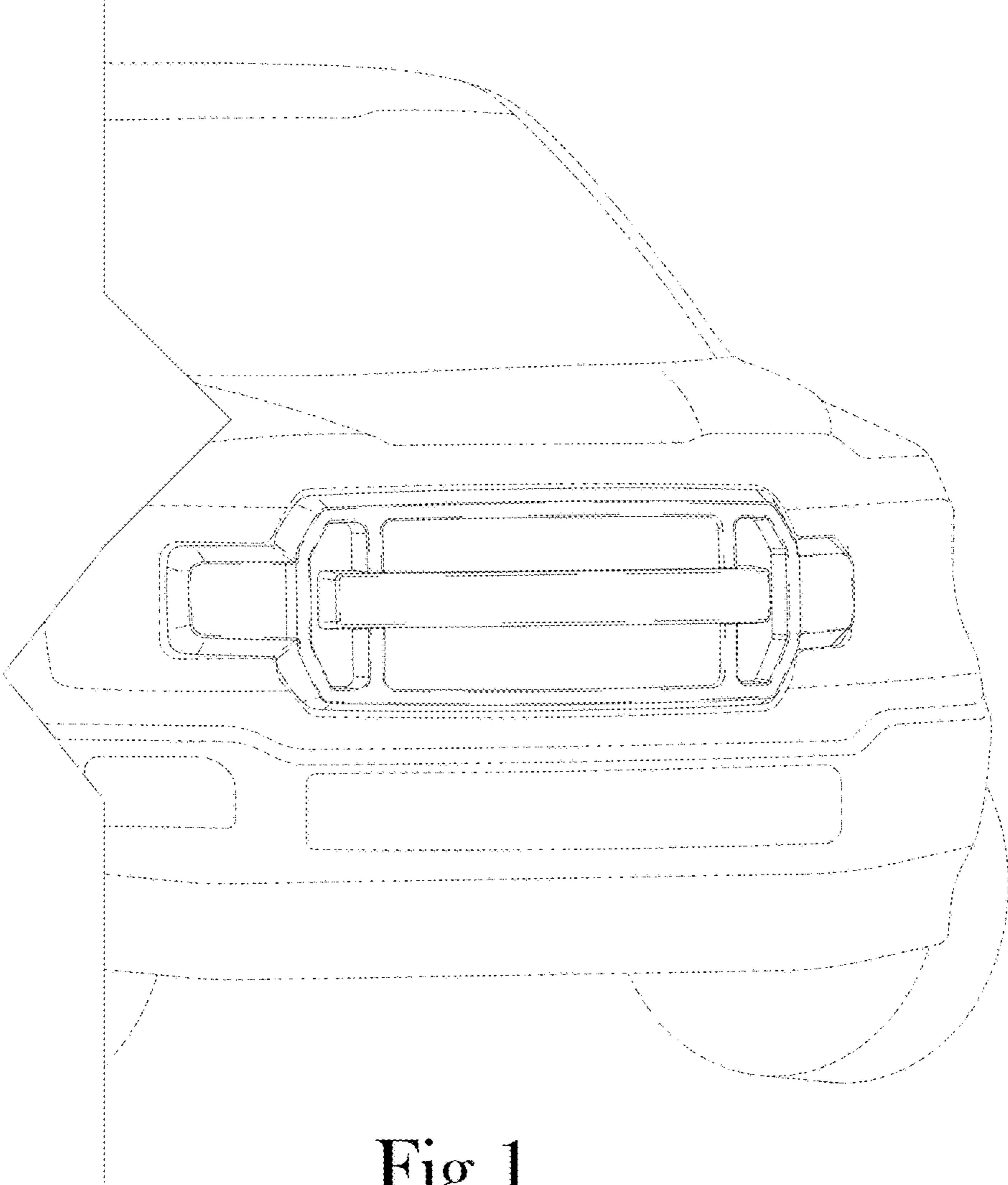


Fig. 1

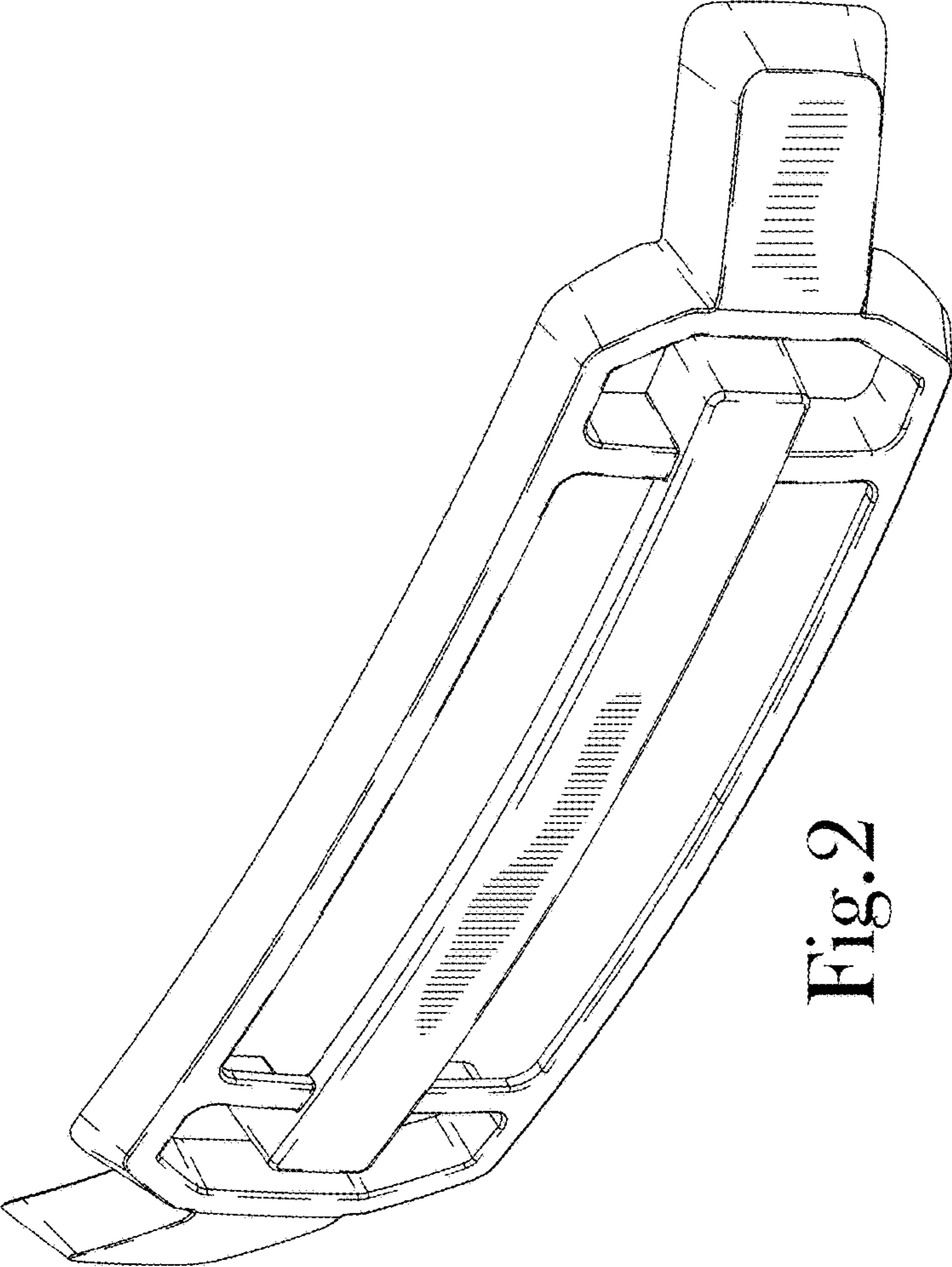


Fig. 2

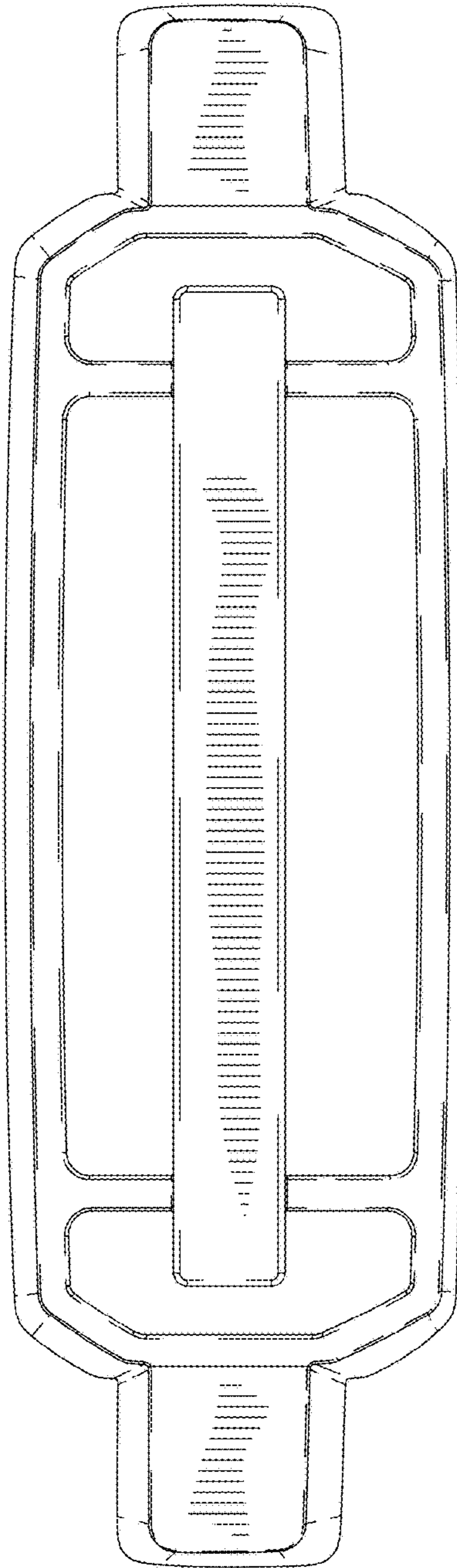


Fig. 3

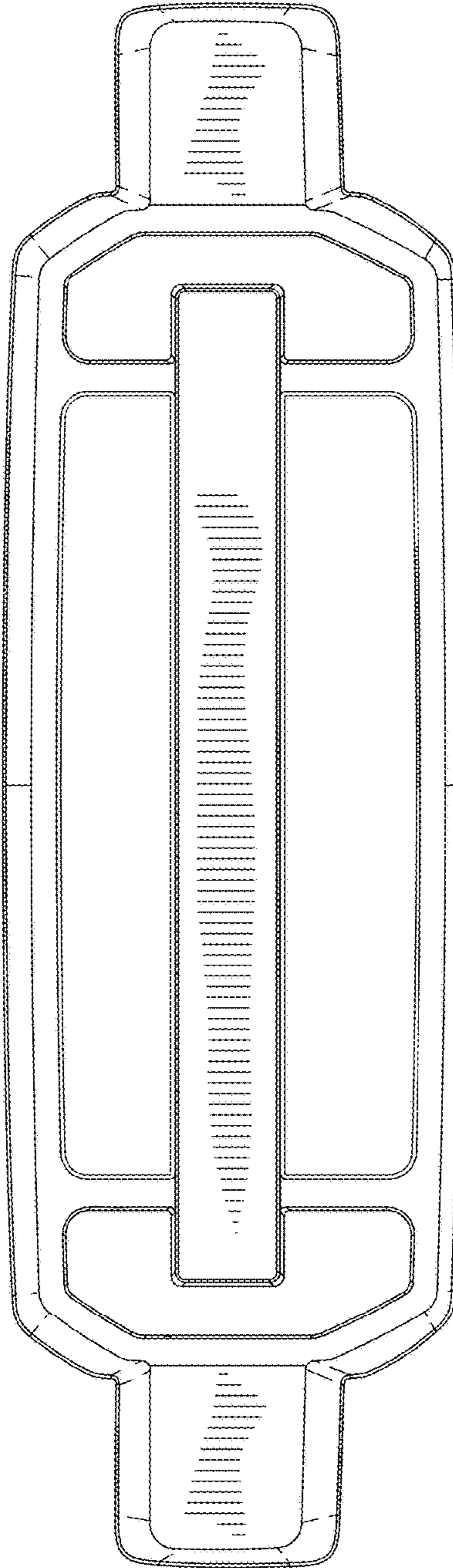


Fig. 4

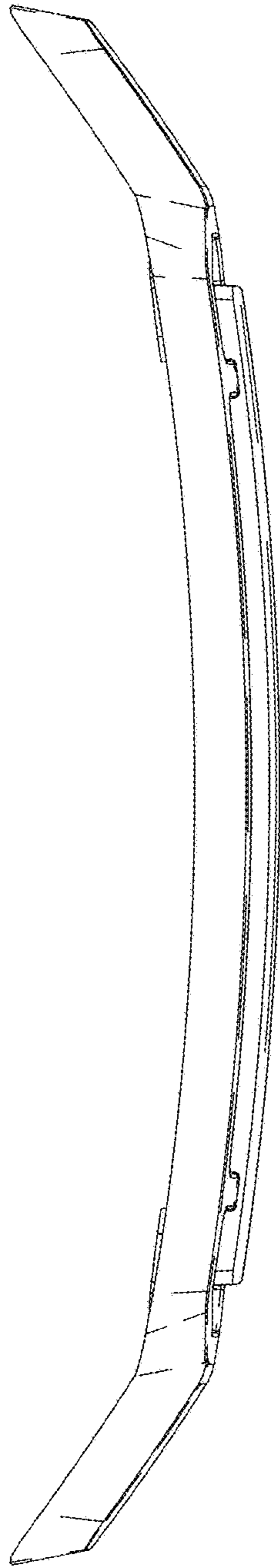


Fig. 5



Fig. 6

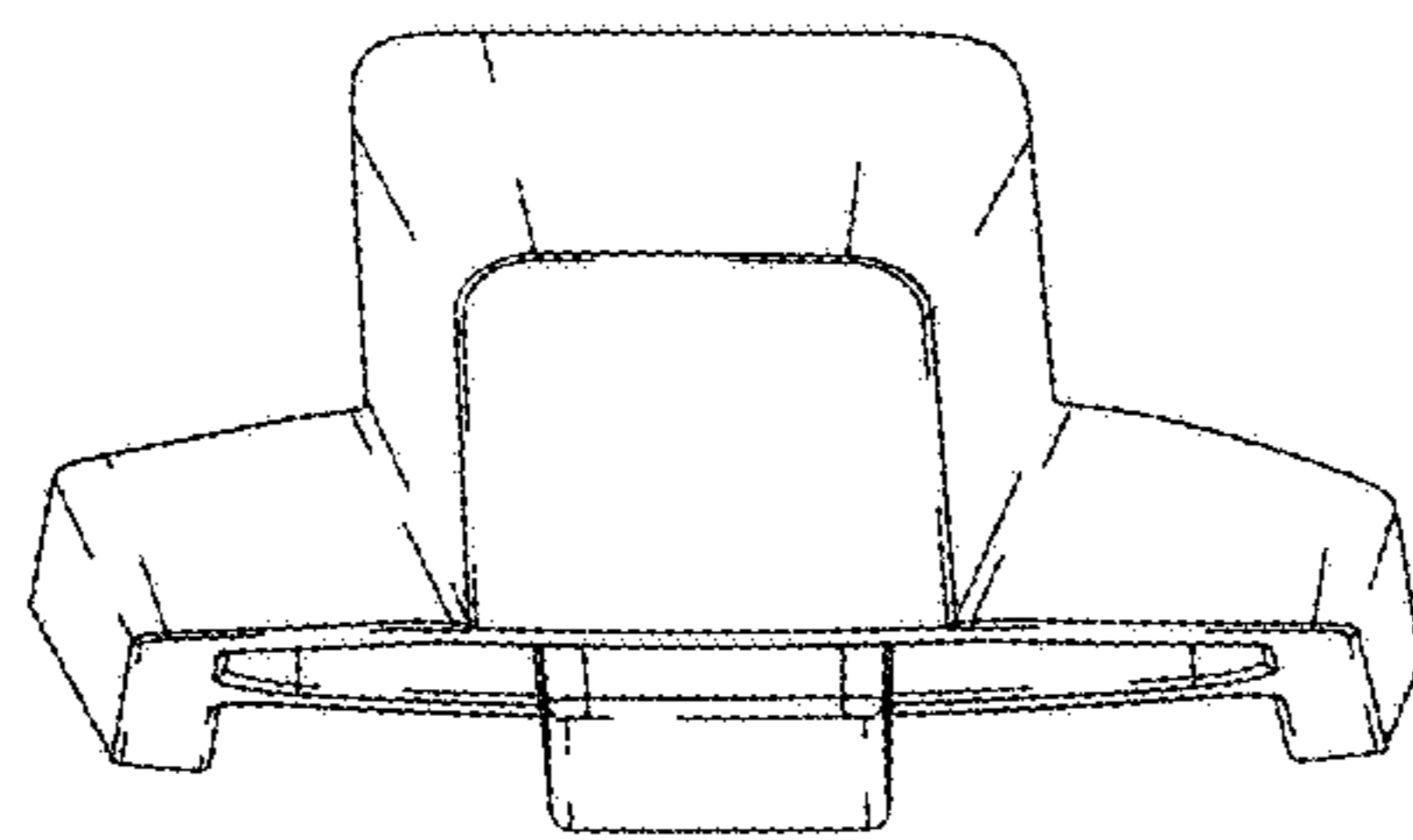


Fig. 7