



US00D864047S

(12) **United States Design Patent** (10) **Patent No.:** **US D864,047 S**  
**Ballard** (45) **Date of Patent:** **\*\* Oct. 22, 2019**

(54) **TRAILER HITCH ATTACHMENT**  
(71) Applicant: **RKB Enterprises, LLC**, Elgin, TX (US)  
(72) Inventor: **Randy K. Ballard**, Elgin, TX (US)  
(\*\*) Term: **15 Years**  
(21) Appl. No.: **29/586,915**  
(22) Filed: **Dec. 7, 2016**  
(51) **LOC (12) Cl.** ..... **12-16**  
(52) **U.S. Cl.**  
USPC ..... **D12/161**  
(58) **Field of Classification Search**  
USPC ..... D12/400, 161, 162, 199  
CPC ..... B60D 53/0807; B60D 53/0821; B60D 53/0828; B60D 53/0814; B60D 21/02; B60D 1/01; B60D 1/48; B60D 1/015; B60G 7/02  
See application file for complete search history.

8,960,705 B2 \* 2/2015 McCall ..... B60D 1/01 280/438.1  
9,849,738 B2 \* 12/2017 Guthard ..... B60D 1/015  
2006/0108770 A1 \* 5/2006 Burns ..... B62D 53/0814 280/433  
2009/0127823 A1 \* 5/2009 Colibert-Clarke ..... B62D 53/0807 280/438.1  
2010/0244406 A1 \* 9/2010 Hicks ..... B60G 7/02 280/433  
2015/0008658 A1 \* 1/2015 Keatley ..... B62D 21/02 280/495

\* cited by examiner

*Primary Examiner* — Susan E Krakower  
*Assistant Examiner* — Jerry Shiuan-Hua Hsu  
(74) *Attorney, Agent, or Firm* — Hulsey PC

(57) **CLAIM**

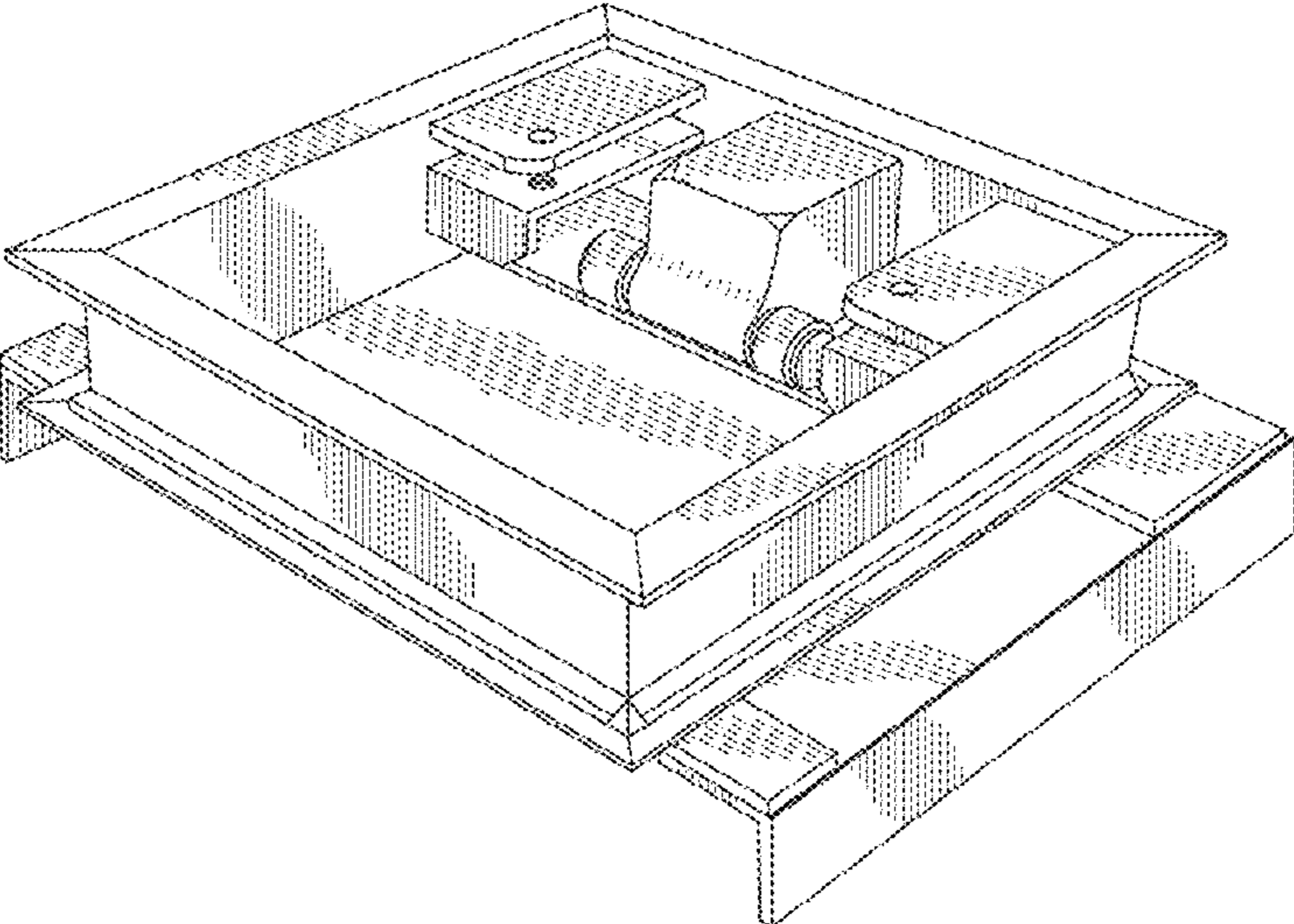
The ornamental design for a trailer hitch attachment, as shown and described.

**DESCRIPTION**

FIG. 1 is a perspective view of a trailer hitch attachment showing our new design.  
FIG. 2 is a front view thereof.  
FIG. 3 is a rear view thereof.  
FIG. 4 is a left side view thereof.  
FIG. 5 is a right side view thereof.  
FIG. 6 is a top view thereof.  
FIG. 7 is a bottom view thereof; and,  
FIG. 8 is a perspective view thereof in a condition of use. The broken lines showing a fifth wheel hitch illustrate environmental structure that forms no part of the claimed design.

(56) **References Cited**  
U.S. PATENT DOCUMENTS  
3,826,516 A \* 7/1974 Weber ..... B62D 53/0828 280/407  
4,671,527 A \* 6/1987 Wilson ..... B62D 53/0821 280/407  
4,826,199 A \* 5/1989 Chambers ..... B62D 53/0828 280/434  
D377,001 S \* 12/1996 Martin ..... D12/161  
8,439,387 B1 \* 5/2013 Connell ..... B62D 53/08 280/438.1  
8,511,703 B2 \* 8/2013 Peterson ..... B62D 53/0814 280/438.1  
8,727,369 B2 \* 5/2014 Peterson ..... B60D 1/48 280/407

**1 Claim, 8 Drawing Sheets**



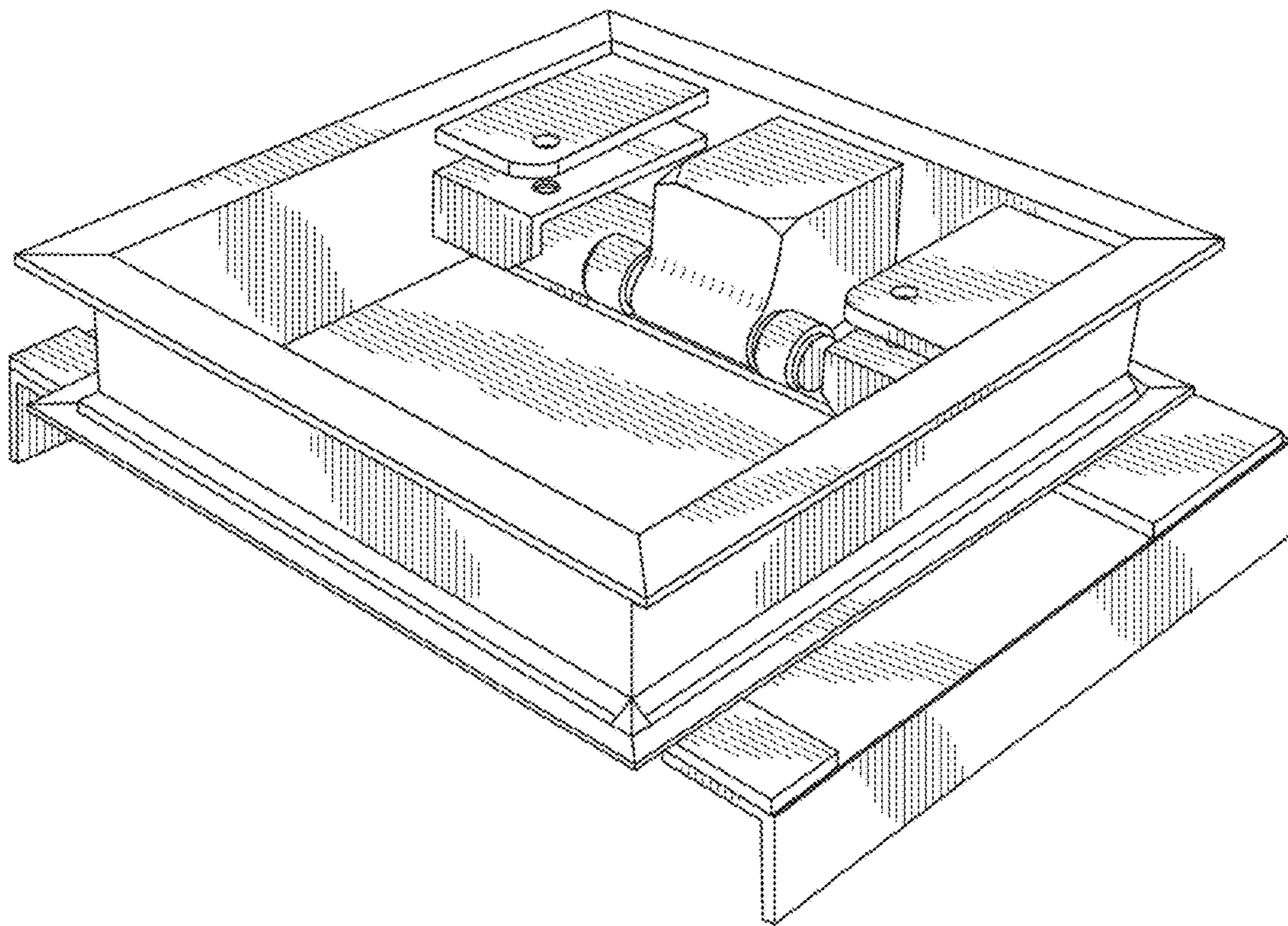


FIG. 1

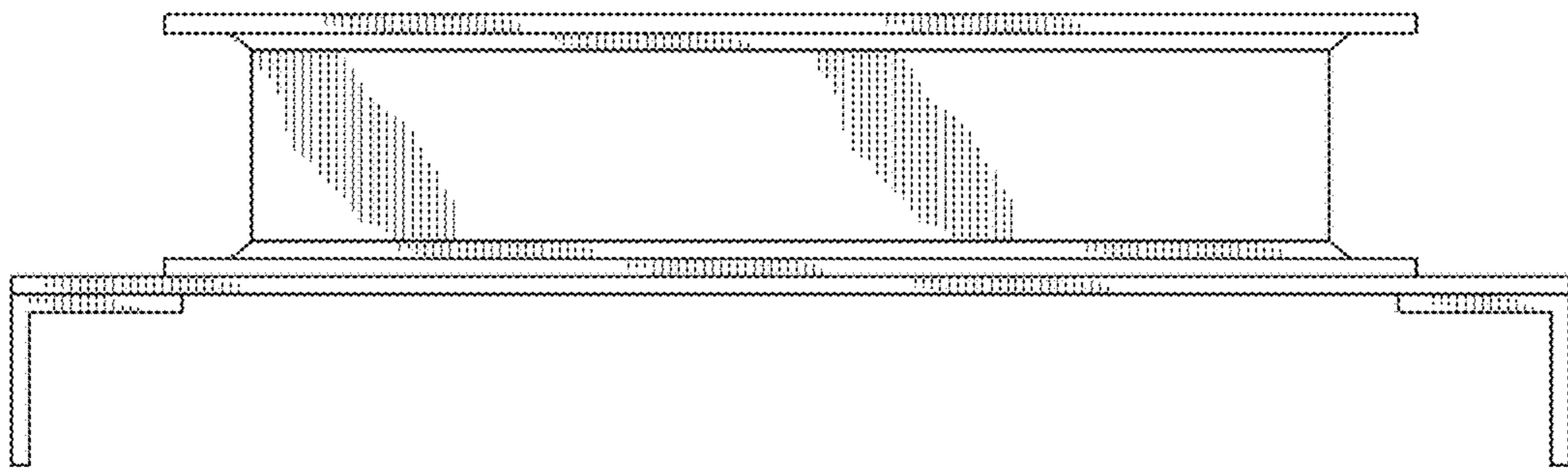


FIG. 2

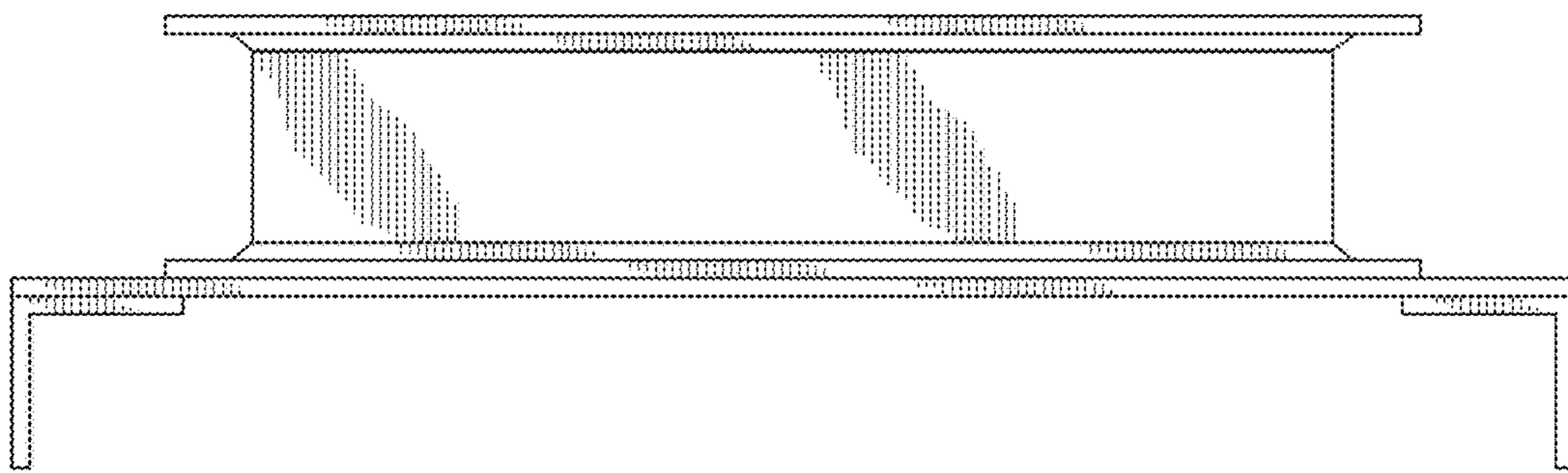


FIG. 3

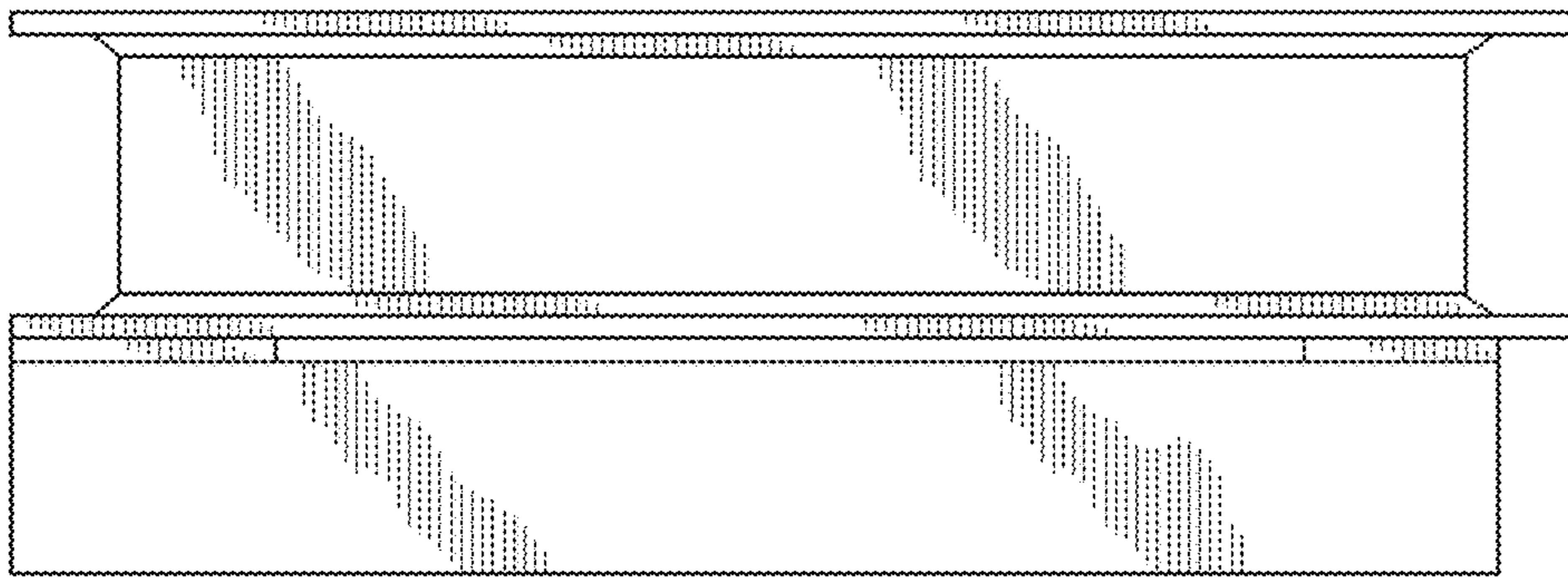


FIG. 4

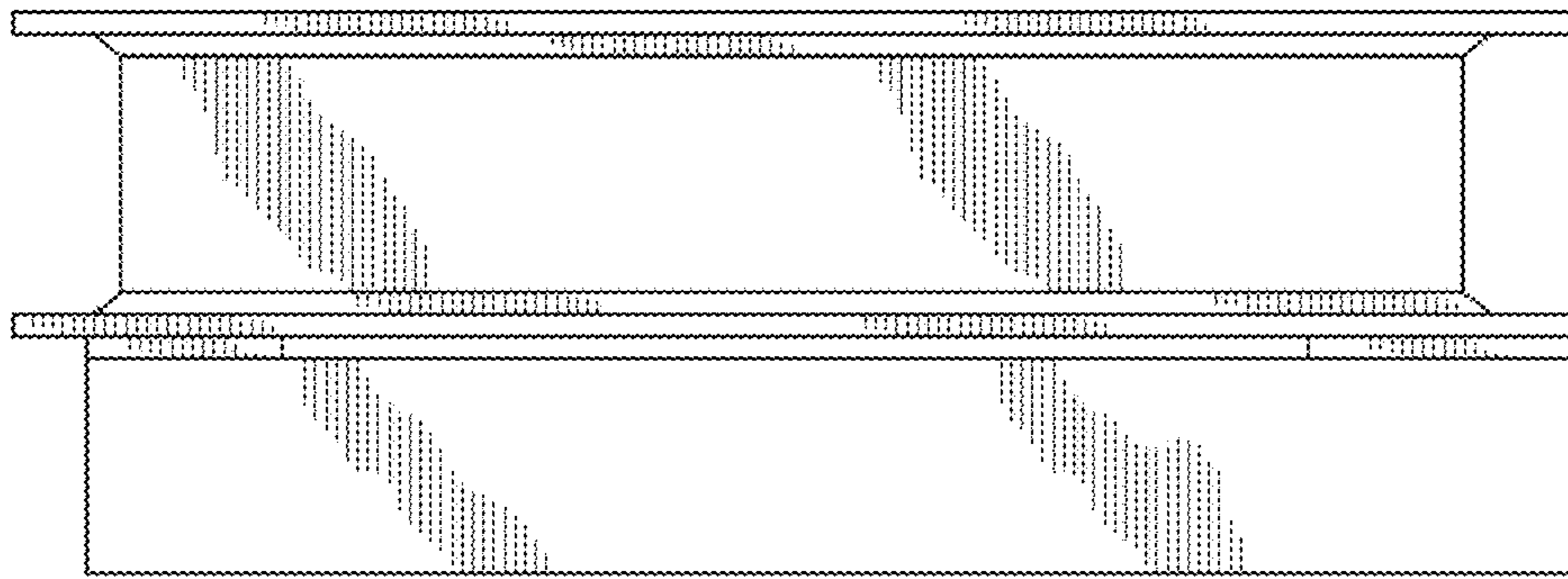


FIG. 5

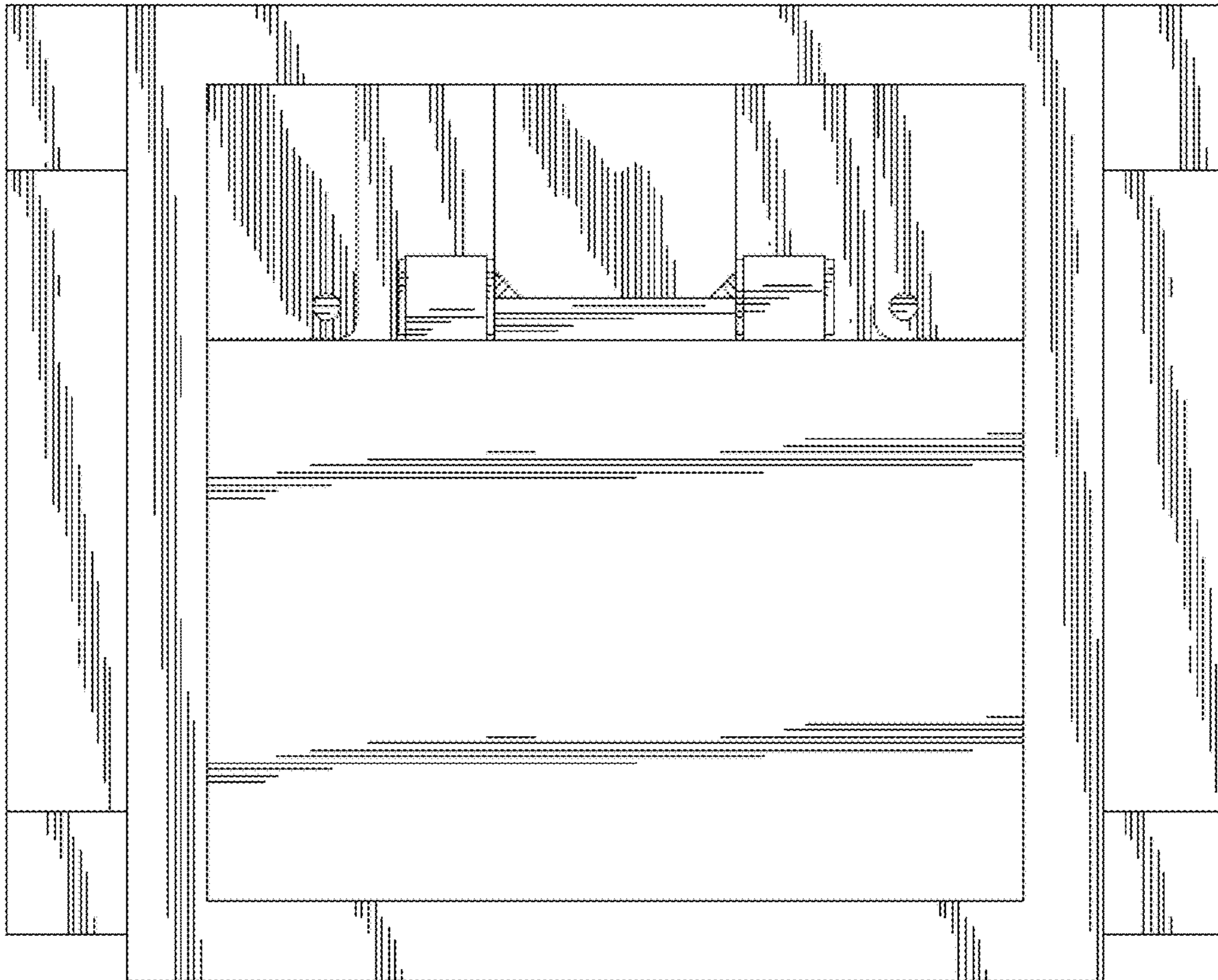


FIG. 6

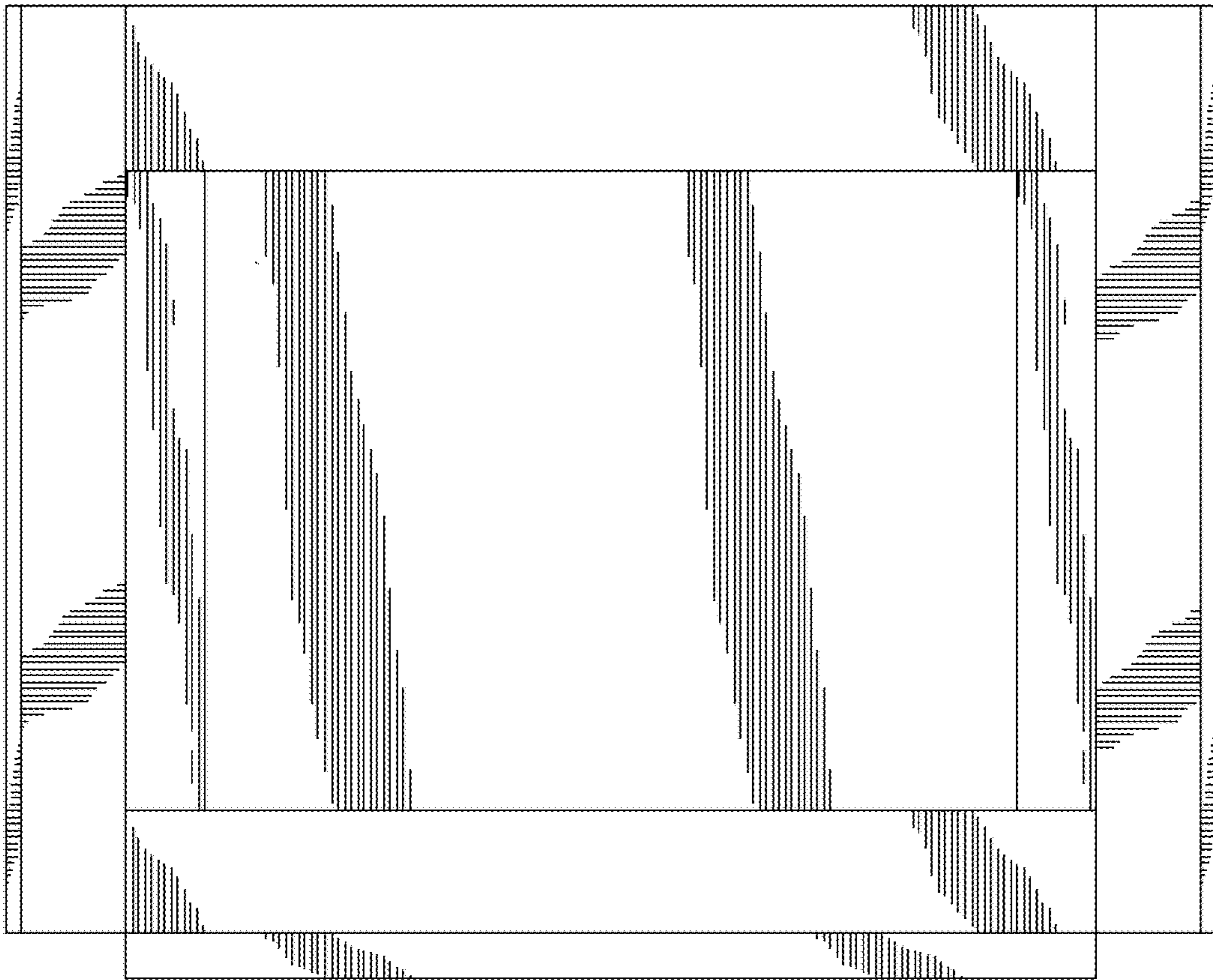


FIG. 7



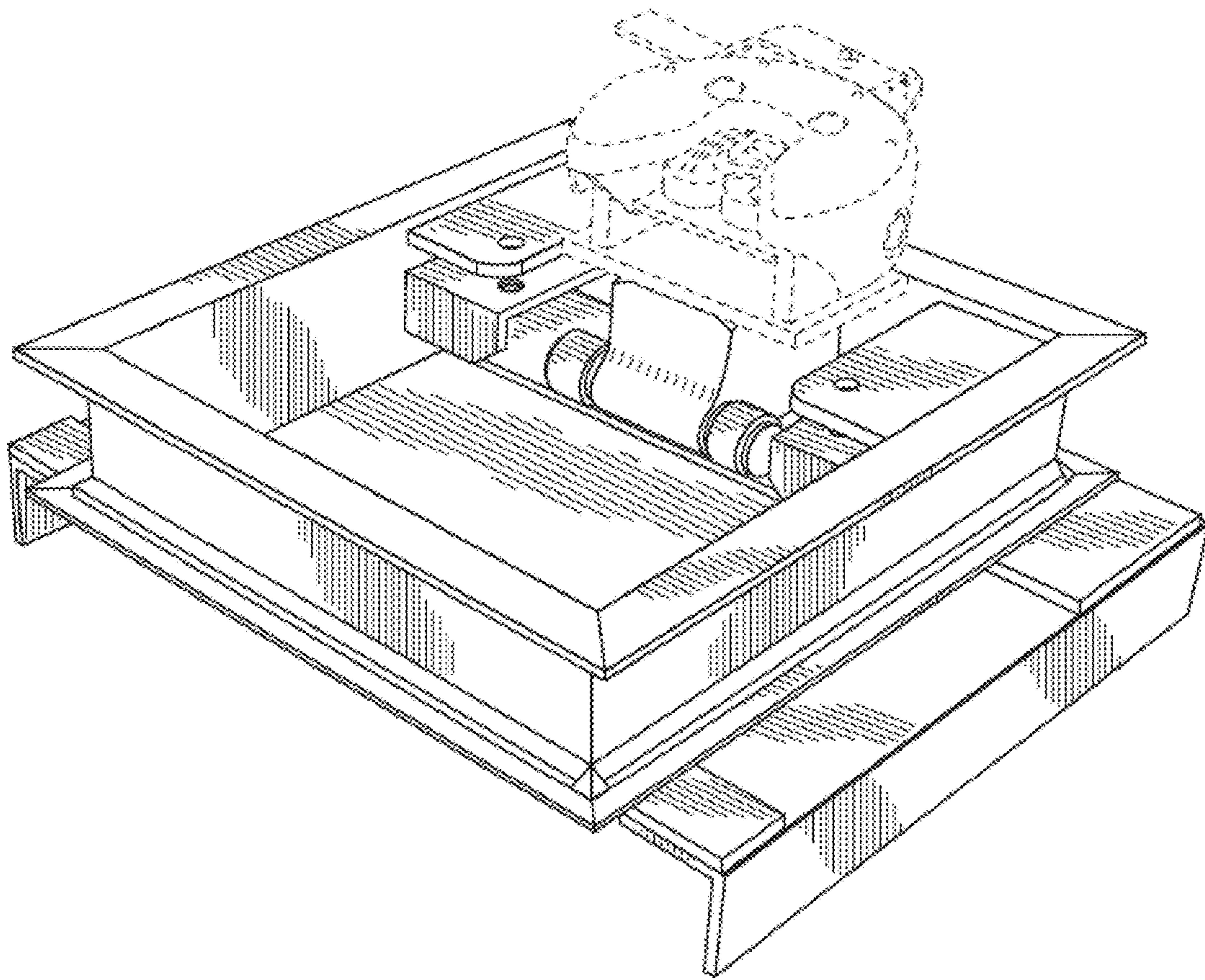


FIG. 8