

US00D864046S

(12) **United States Design Patent** (10) **Patent No.:** **US D864,046 S**  
**Reinius et al.** (45) **Date of Patent:** **\*\* Oct. 22, 2019**

(54) **STROLLER FRAME**

(71) Applicant: **Thule Sweden AB**, Hillerstorp (SE)

(72) Inventors: **Pelle Reinius**, Stockholm (SE); **Frida Åberg**, Stockholm (SE); **Oskar Juhlin**, Gustavsberg (SE)

(73) Assignee: **Thule Sweden AB**, Hillerstorp (SE)

(\*\*) Term: **15 Years**

(21) Appl. No.: **29/617,403**

(22) Filed: **Sep. 13, 2017**

(51) **LOC (12) Cl.** ..... **12-12**

(52) **U.S. Cl.**  
USPC ..... **D12/133**

(58) **Field of Classification Search**  
USPC ..... D12/128–133  
CPC ..... B62B 7/00–04; B62B 9/00–28  
See application file for complete search history.

(56) **References Cited**

**U.S. PATENT DOCUMENTS**

D375,707 S *	11/1996	Yang	.....	D12/129
D519,422 S *	4/2006	Huang	.....	D12/129
7,267,359 B1 *	9/2007	Yang	.....	B62B 7/08 280/47.34
7,364,171 B2 *	4/2008	Hu	.....	B60B 1/006 280/47.38
D578,044 S *	10/2008	Chen	.....	D12/129
D596,996 S *	7/2009	Yang	.....	D12/129
D621,306 S *	8/2010	Liao	.....	D12/129
D643,343 S *	8/2011	Song	.....	D12/129
D661,624 S *	6/2012	Stopp	.....	D12/129
D672,692 S *	12/2012	Jane Santamaria	.....	D12/129
D677,605 S *	3/2013	Ide	.....	D12/129
D724,501 S	3/2015	Reinius et al.		

D793,914 S	8/2017	Eriksson et al.		
2003/0111825 A1 *	6/2003	Lo	.....	B62B 7/145 280/642
2005/0098982 A1 *	5/2005	Huang	.....	B62B 7/08 280/642

**OTHER PUBLICATIONS**

“UPPAbaby 2017 Vista Stroller—Austin (Hunter/Silver/Leather),” albeebaby.com, <<https://web.archive.org/web/20170223140537/https://www.albeebaby.com/uppababy-vista-stroller-austin-hunter-silver-leather.html>>, dated February 23, 2017.

“Graco Modes Travel System Stroller, Davis”, amazon.com, <<https://www.amazon.com/dp/B019EGMEQ8?tag=hello-baby-20&th=1>>, accessed Aug. 1, 2018.

(Continued)

*Primary Examiner* — Charles D Hanson  
(74) *Attorney, Agent, or Firm* — Sterne, Kessler, Goldstein & Fox P.L.L.C.

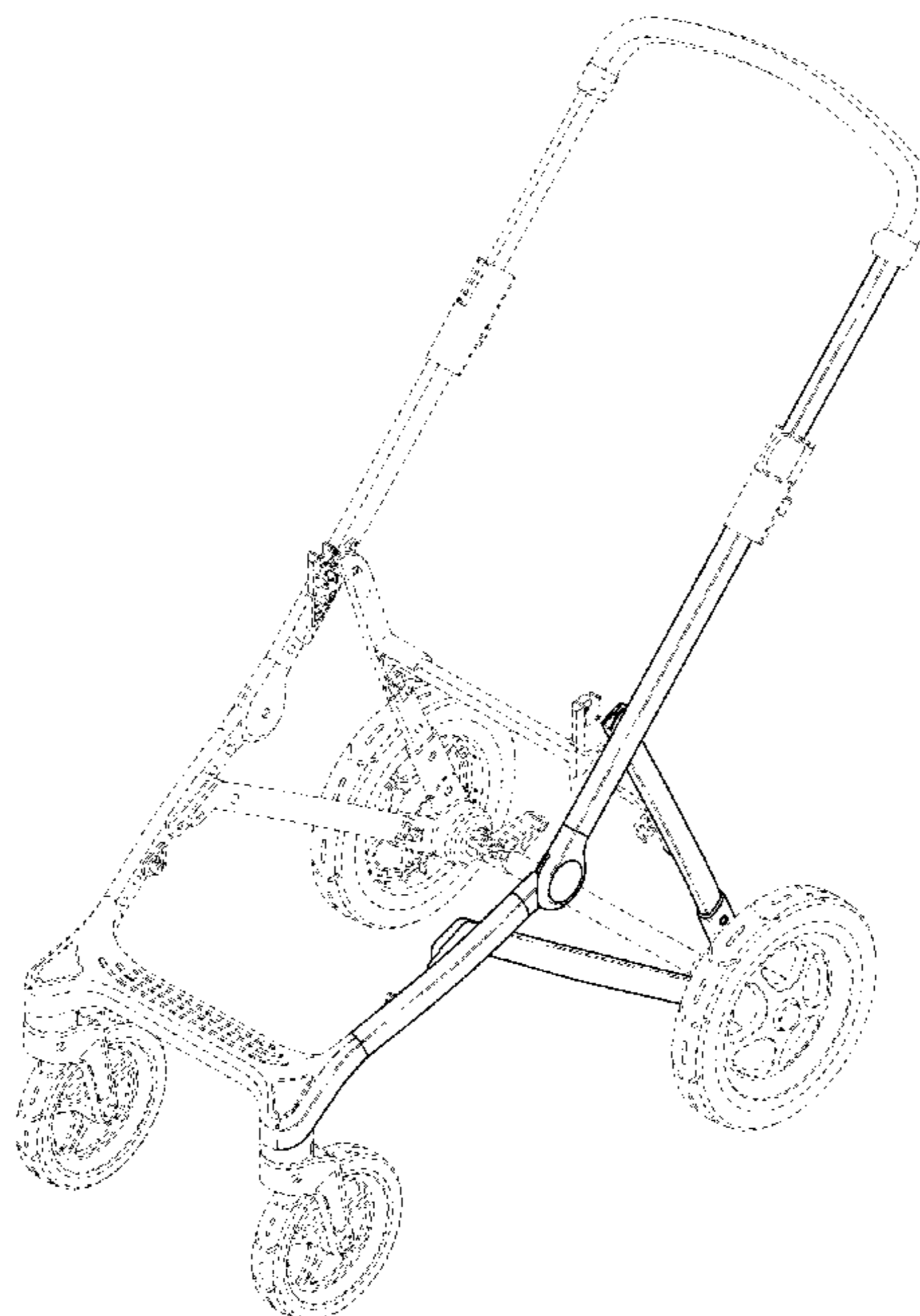
(57) **CLAIM**

The ornamental design for a stroller frame, as shown and described.

**DESCRIPTION**

FIG. 1 is a top front perspective view of a stroller frame showing the claimed design;  
FIG. 2 is a front view thereof;  
FIG. 3 is a rear view thereof;  
FIG. 4 is a left side view thereof;  
FIG. 5 is a right side view thereof;  
FIG. 6 is a top view thereof; and,  
FIG. 7 is a bottom view thereof.  
The dashed broken lines in the figures show portions of the stroller frame that form no part of the claimed design.  
The dot-dash broken lines in the figures show boundaries that form no part of the claimed design.

**1 Claim, 7 Drawing Sheets**



(56)

**References Cited**

OTHER PUBLICATIONS

“Bugaboo Cameleon<sup>3</sup> Stroller”, babylist.com, <<https://www.babylist.com/gp/bugaboo-cameleon-stroller-792f21ba-92ef-4d2b-94e6-eeedd792408d/12876/19079>>, accessed Aug. 1, 2018.

“Nuna MIXX<sup>2</sup> Stroller”, babylist.com, <<https://www.babylist.com/gp/nuna-mixx-stroller/10814/20052>>, accessed Aug. 1, 2018.

\* cited by examiner

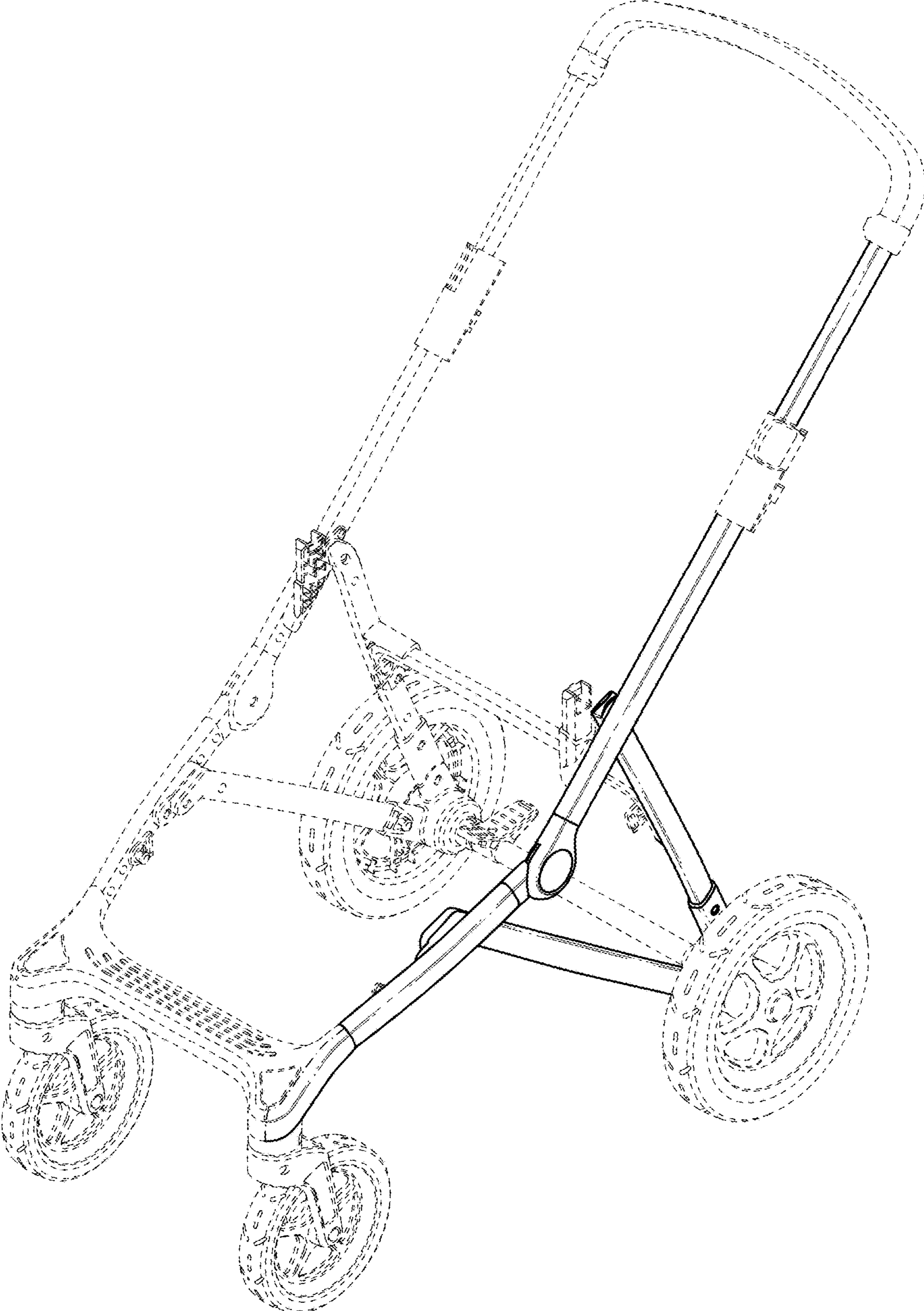


FIG. 1

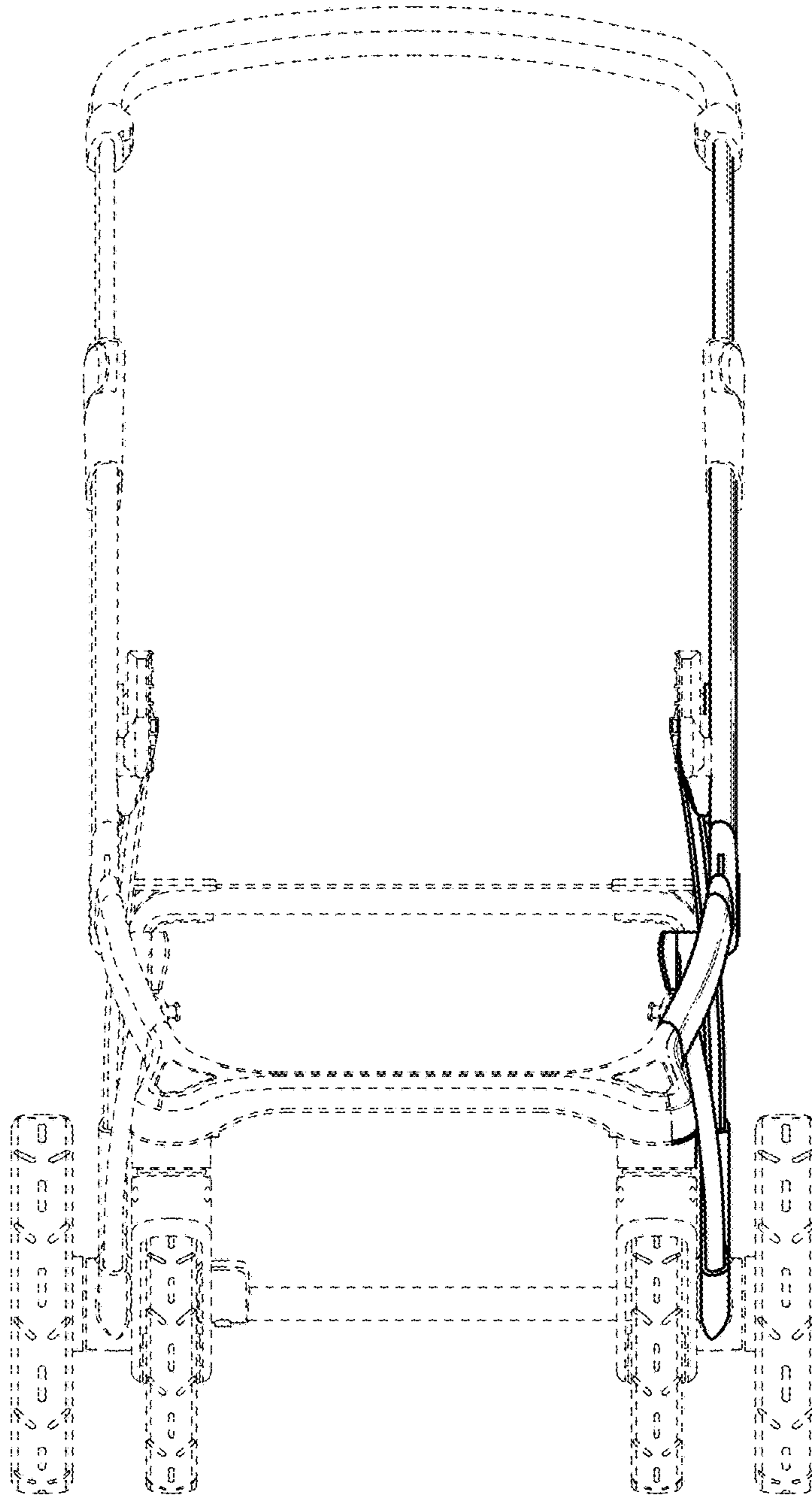


FIG.2

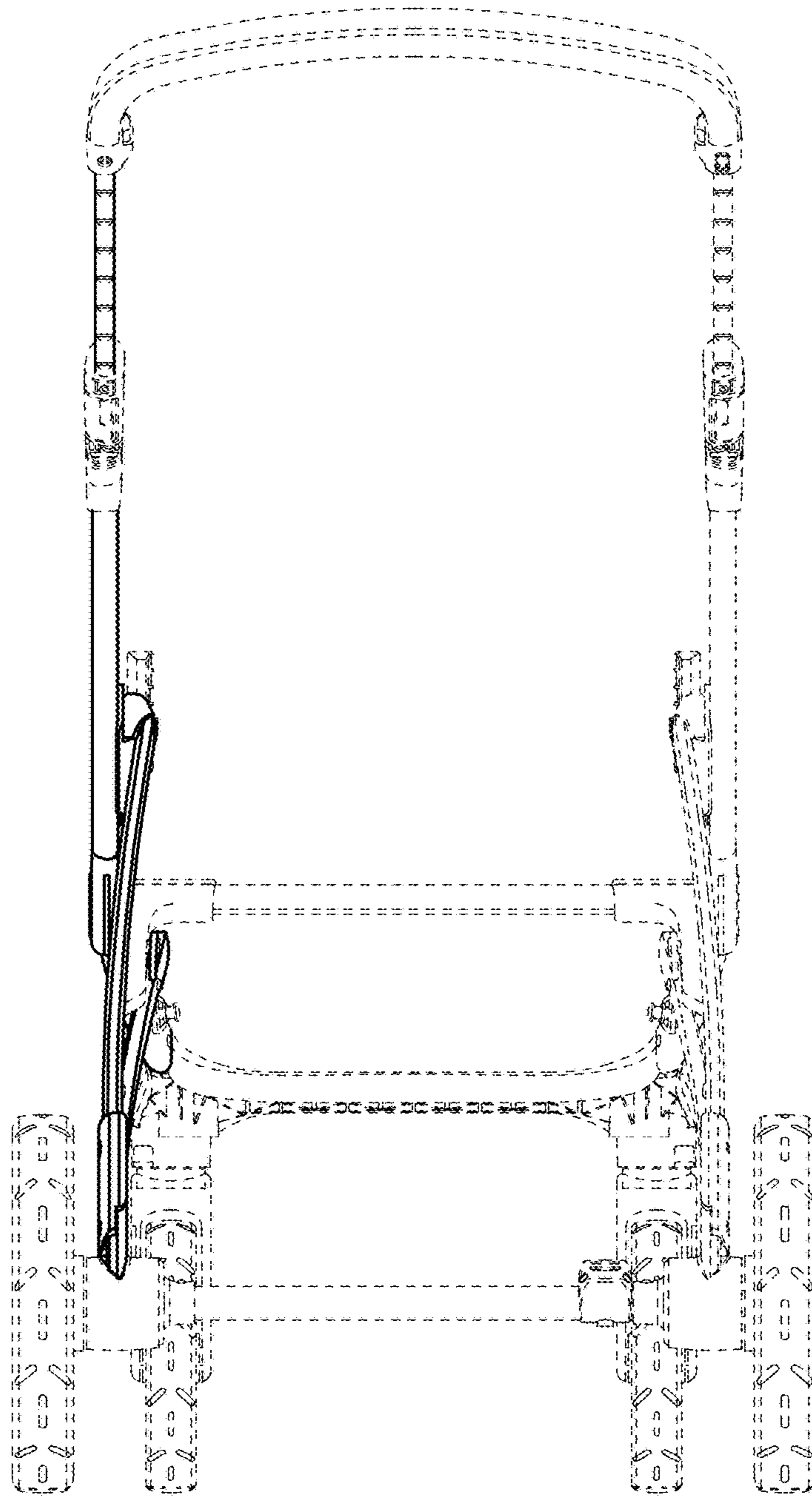


FIG.3

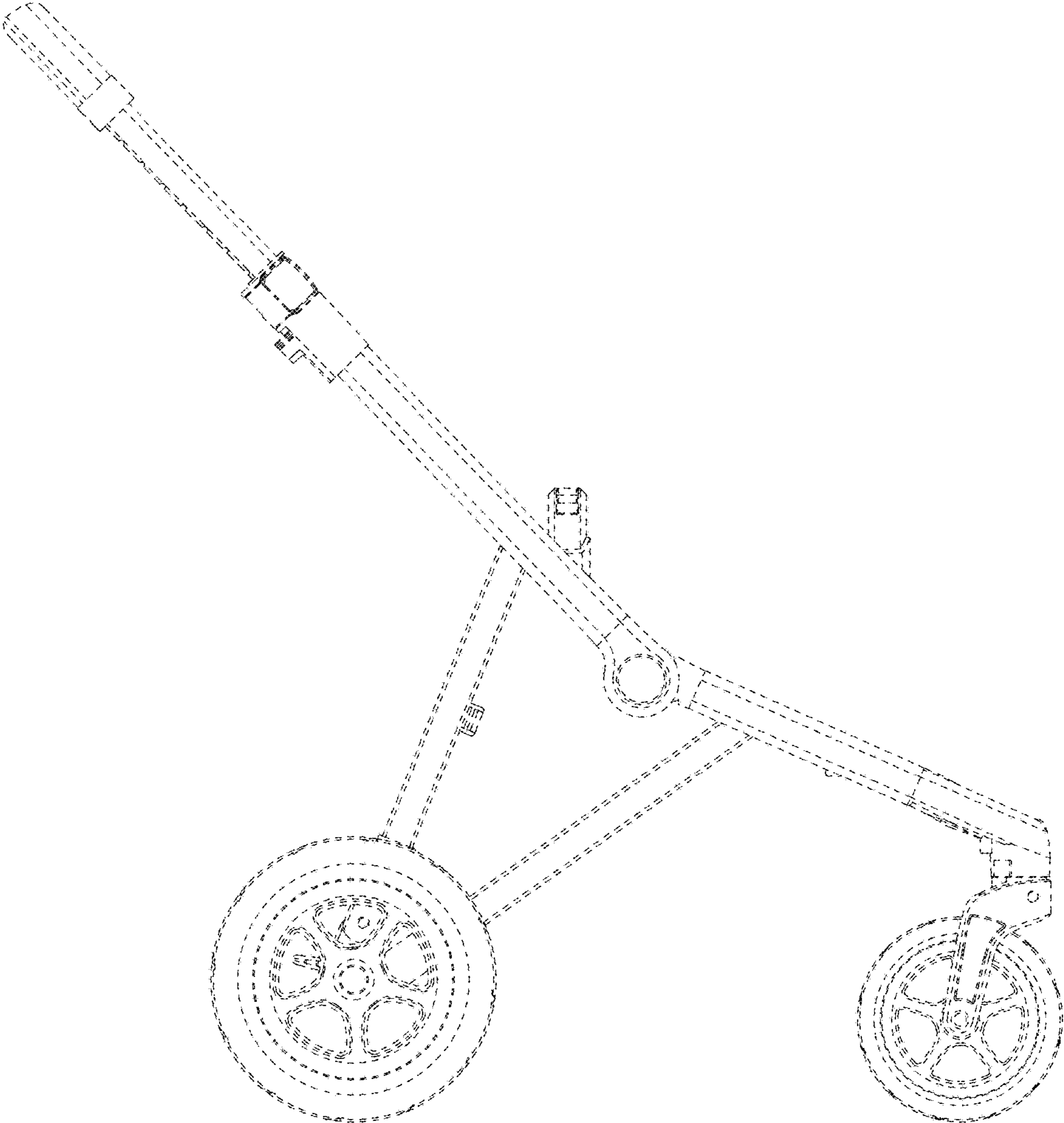


FIG.4

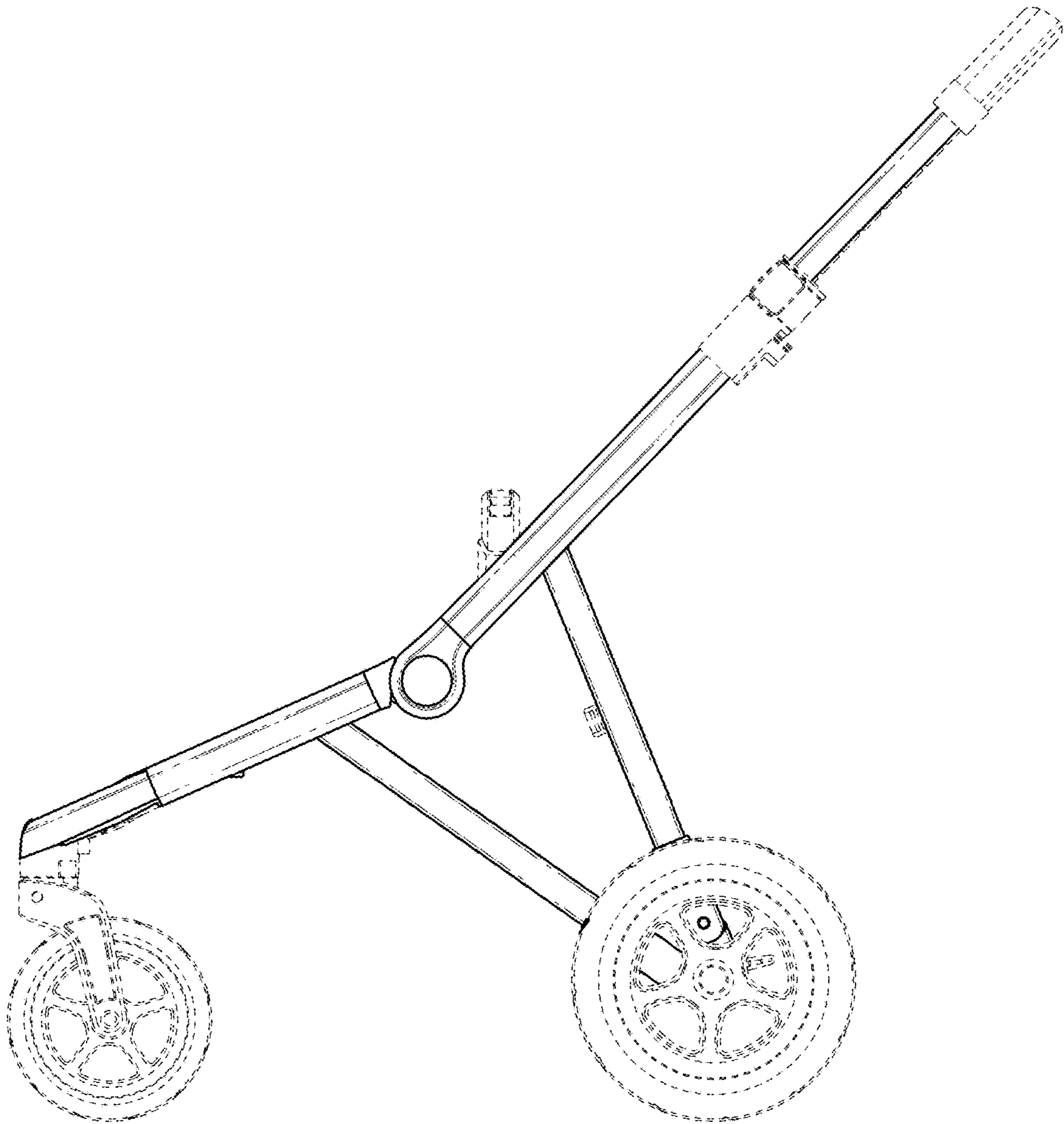


FIG.5

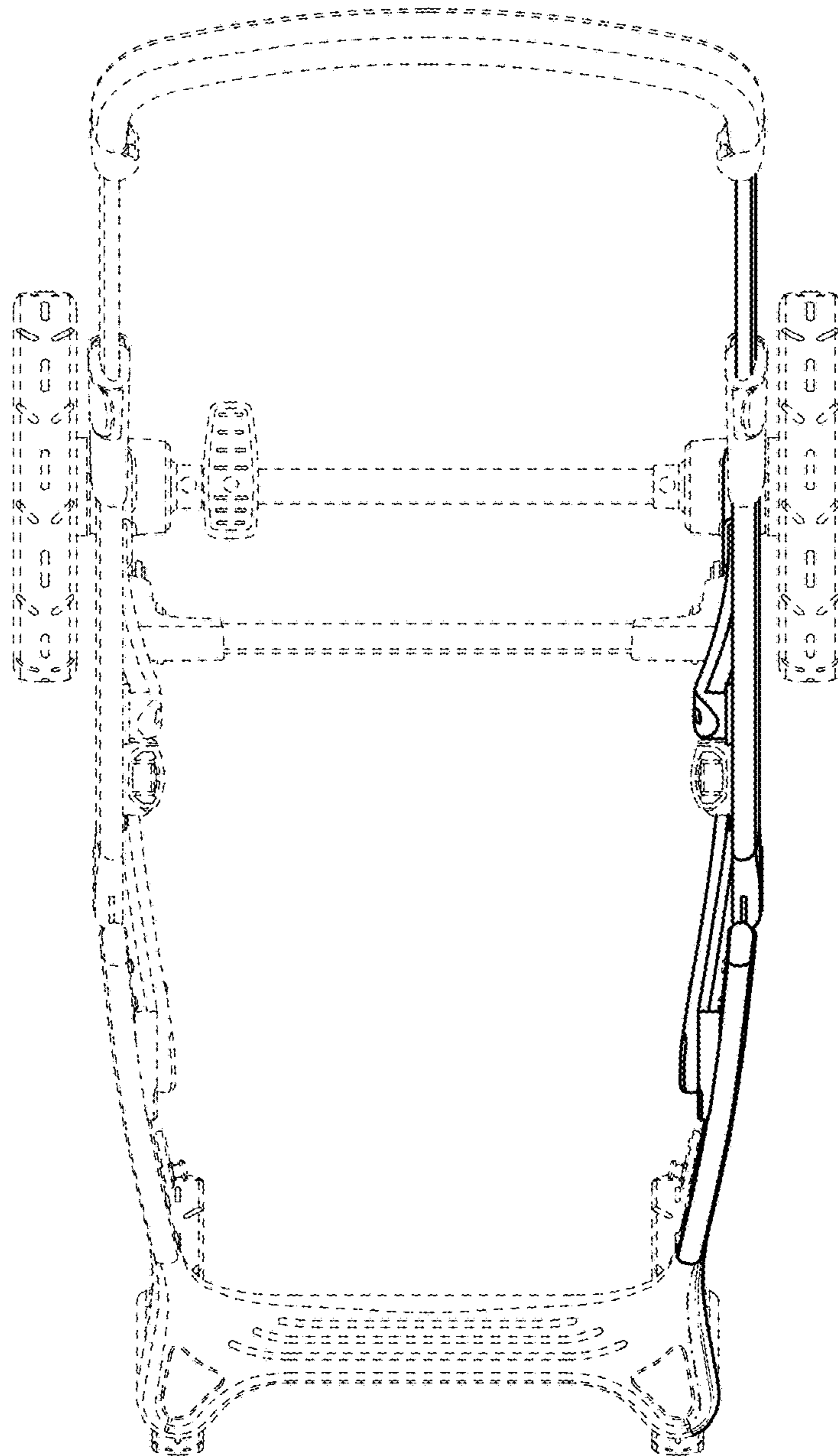


FIG.6



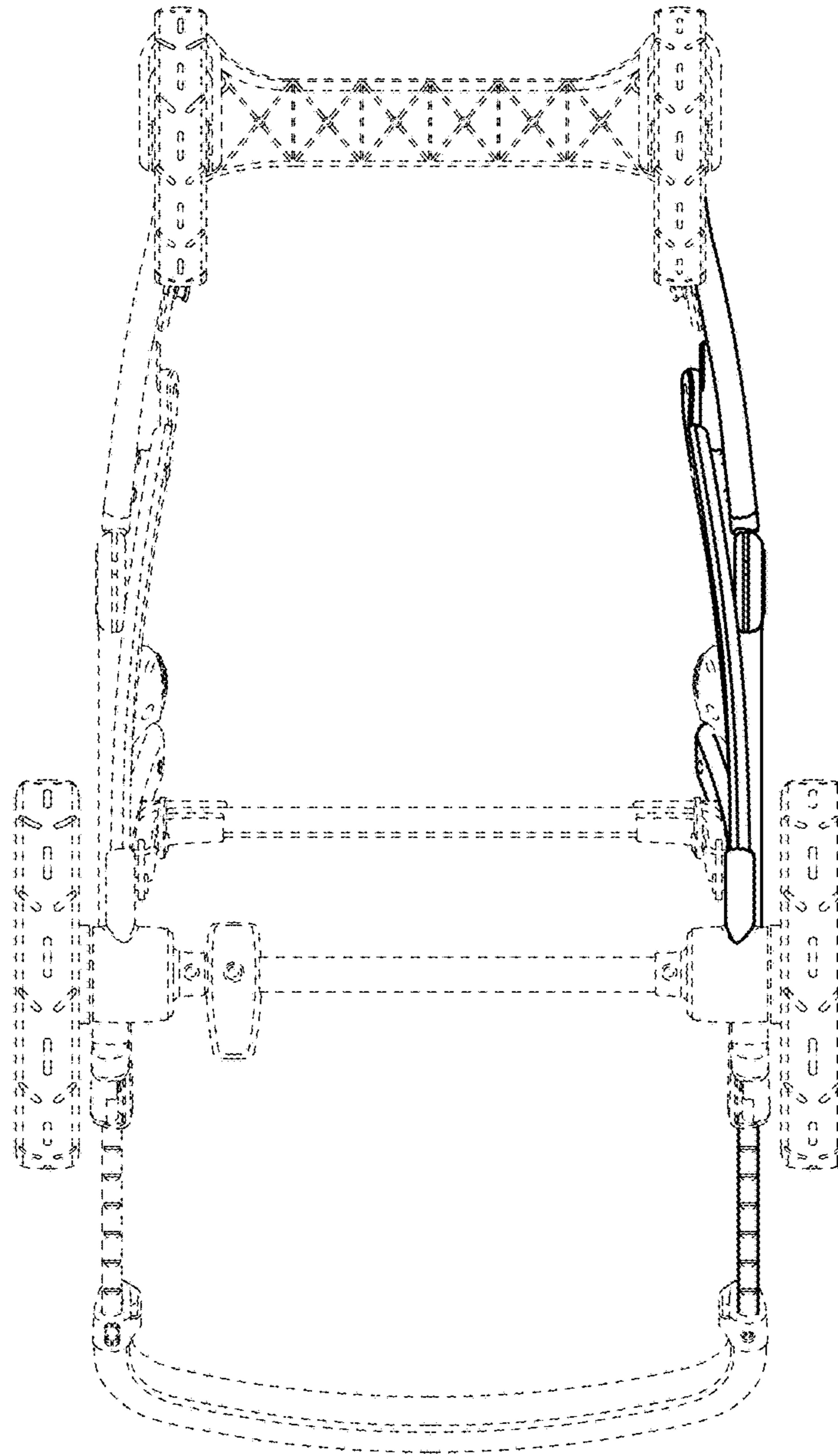


FIG.7