



US00D864045S

(12) **United States Design Patent** (10) **Patent No.:** **US D864,045 S**
Weiss et al. (45) **Date of Patent:** **** Oct. 22, 2019**

(54) **BABY DOCK**
(71) Applicants: **Stephen Joel Weiss**, Houston, TX
(US); **Devorah Butler**, Houston, TX
(US)
(72) Inventors: **Stephen Joel Weiss**, Houston, TX
(US); **Devorah Butler**, Houston, TX
(US)
(**) Term: **15 Years**
(21) Appl. No.: **29/622,792**
(22) Filed: **Oct. 19, 2017**
(51) **LOC (12) Cl.** **12-12**
(52) **U.S. Cl.**
USPC **D12/130**
(58) **Field of Classification Search**
USPC D12/128-133
CPC A47D 13/043; A47D 13/107; A47D 13/04;
A47D 13/005; A47D 3/00
See application file for complete search history.

D627,009 S * 11/2010 Lu D12/130
D630,259 S * 1/2011 Lu D12/130
D679,337 S * 4/2013 Lai D12/133
D700,248 S * 2/2014 Proulx D21/425
D750,534 S * 3/2016 Lu D12/130
D765,557 S * 9/2016 Cheng D12/130
D771,524 S * 11/2016 Lu D12/130
9,610,211 B2 * 4/2017 Lai A61H 3/008
10,016,067 B2 * 7/2018 Burns A47D 13/043

* cited by examiner

Primary Examiner — Charles D Hanson
(74) *Attorney, Agent, or Firm* — Welsh, Flaxman & Gitler
LLC

(57) **CLAIM**

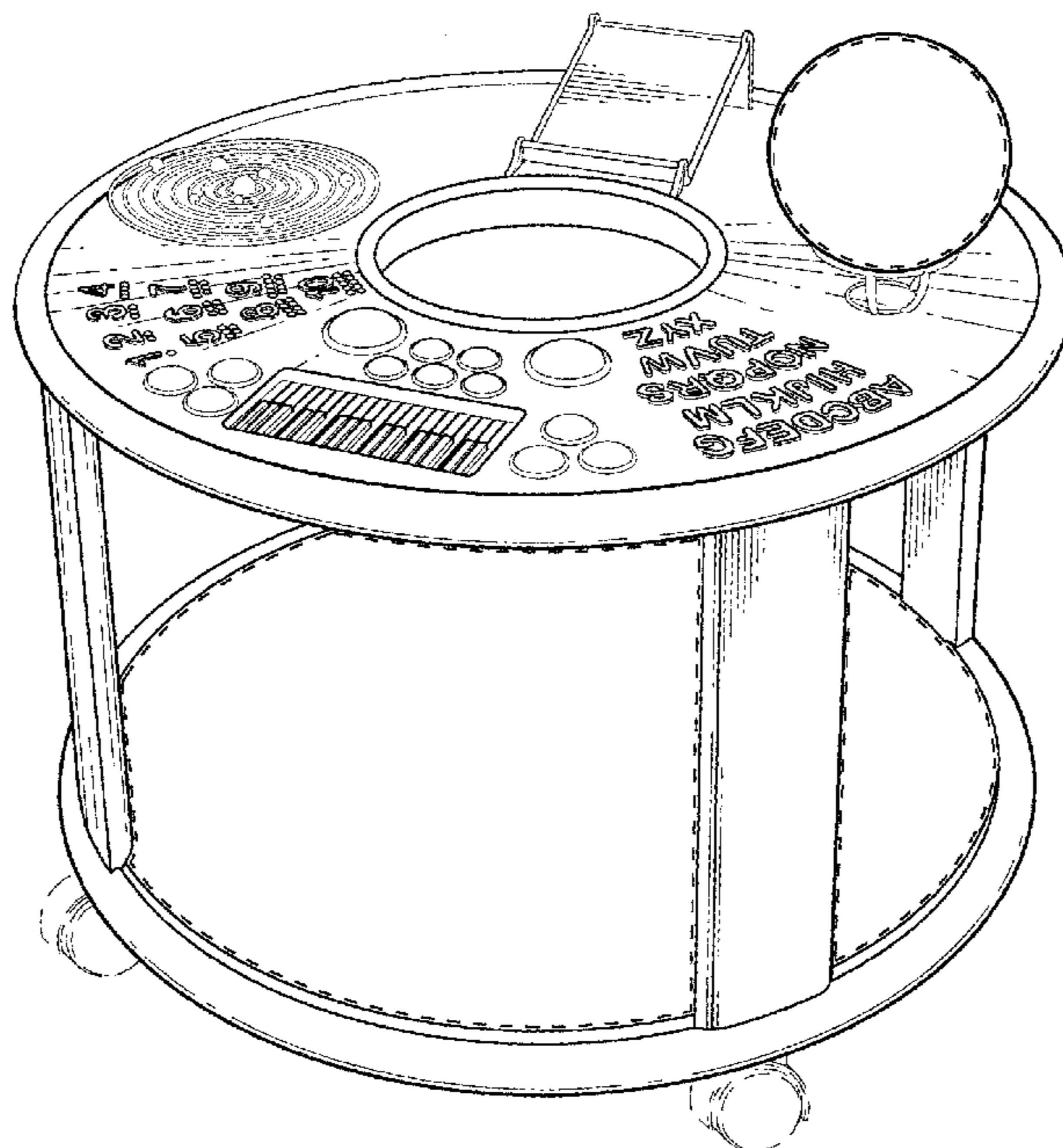
The ornamental design for a baby dock, as shown and described.

DESCRIPTION

FIG. 1 is a top perspective view of the baby dock;
FIG. 2 is a top view of the baby dock;
FIG. 3 is a right side view of the baby dock;
FIG. 4 is a left side view of the baby dock;
FIG. 5 is a cross sectional view looking downward along the
line A-A in FIG. 4; and,
FIG. 6 is a cross sectional view looking upward along the
line B-B in FIG. 4.
The broken line of the baby dock are for the purpose of
illustrating portions of the article and forms no part of the
claimed design.

1 Claim, 6 Drawing Sheets

(56) **References Cited**
U.S. PATENT DOCUMENTS
D445,143 S * 7/2001 Bellows D12/130
D451,052 S * 11/2001 Lu D12/130
D475,325 S * 6/2003 Wu D12/133
6,863,287 B2 * 3/2005 Myers A47D 13/043
135/67
D587,764 S * 3/2009 Cheng D12/130
D612,302 S * 3/2010 Cheng D12/133



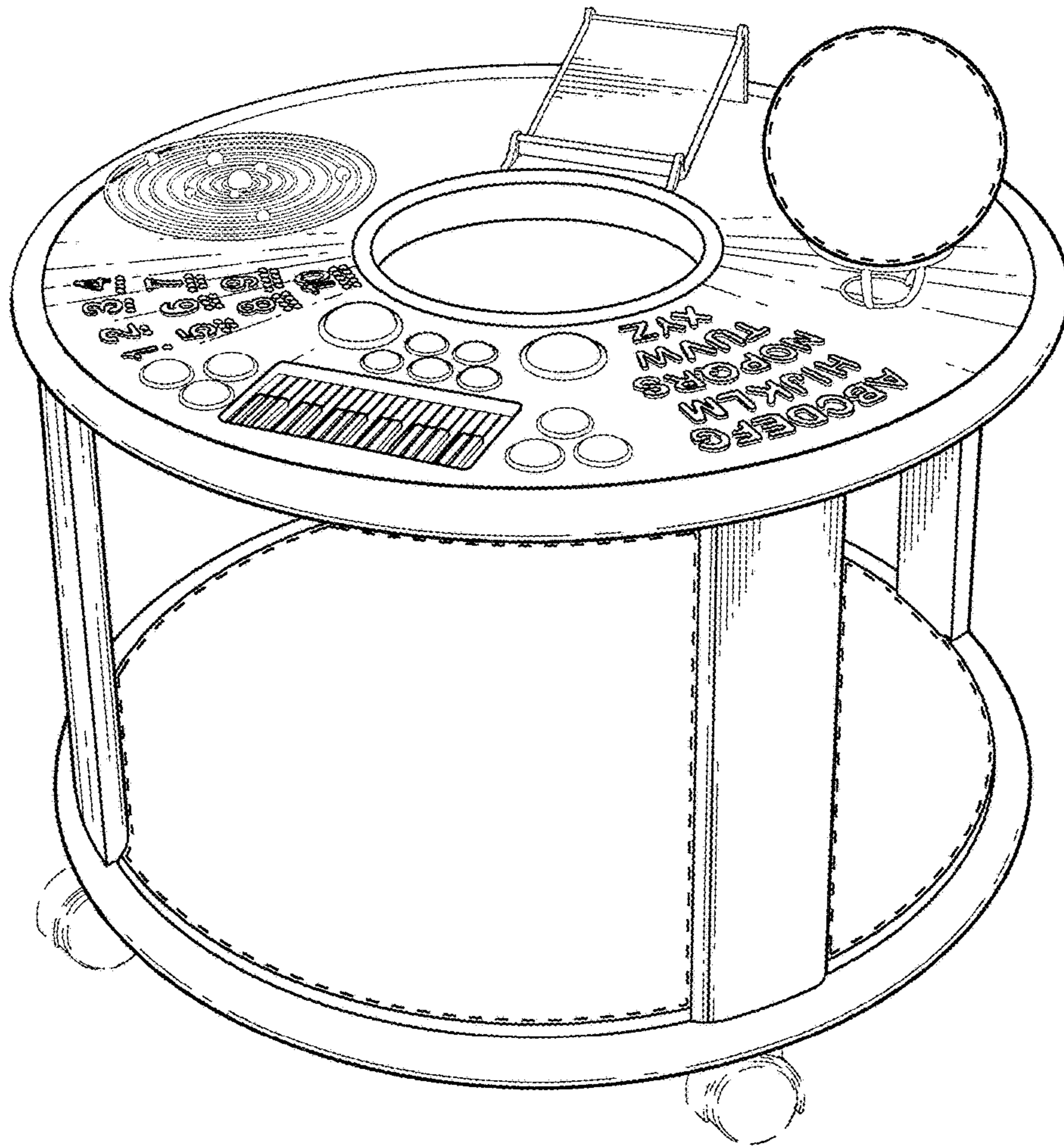


FIG. 1

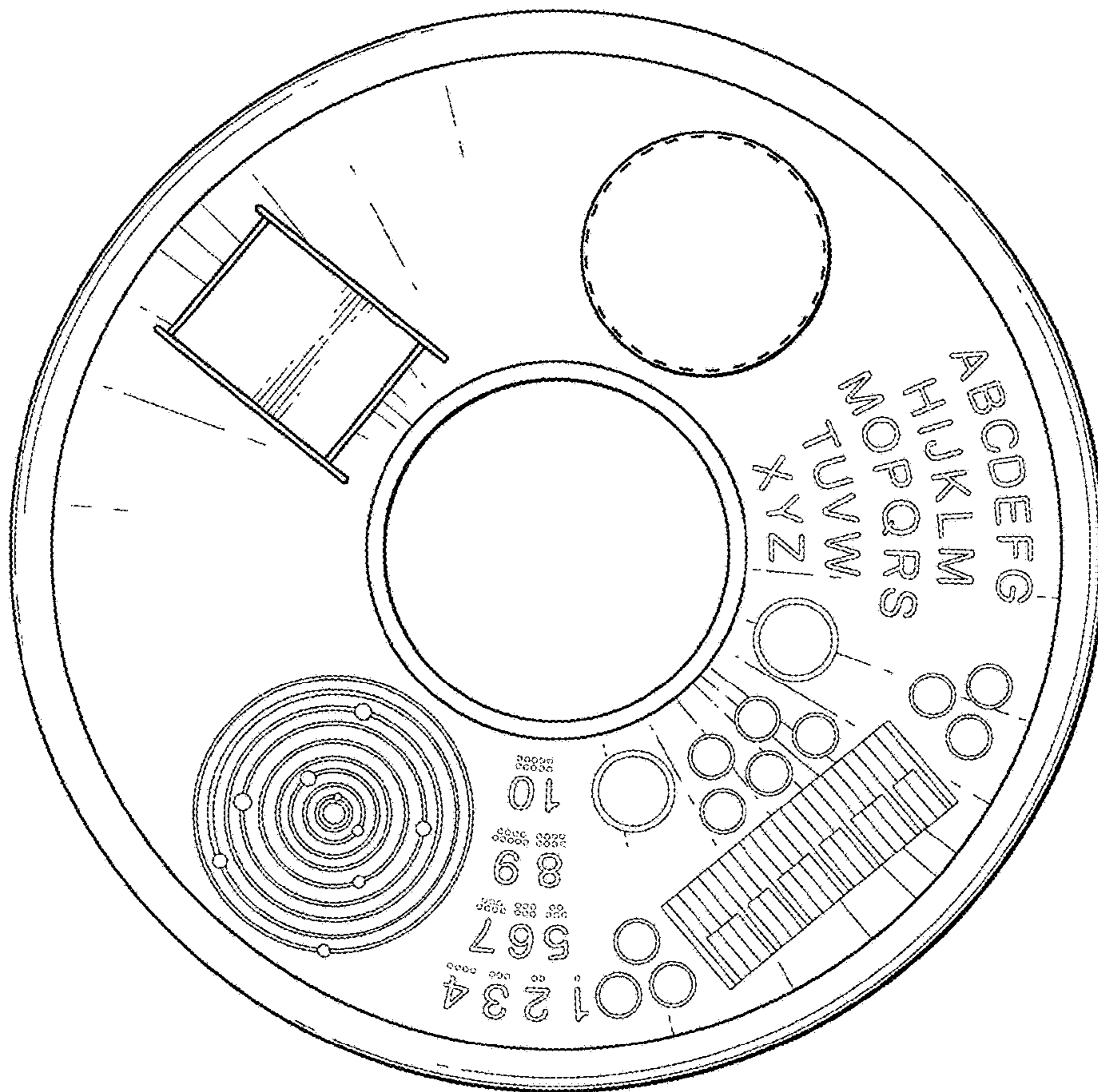


FIG. 2

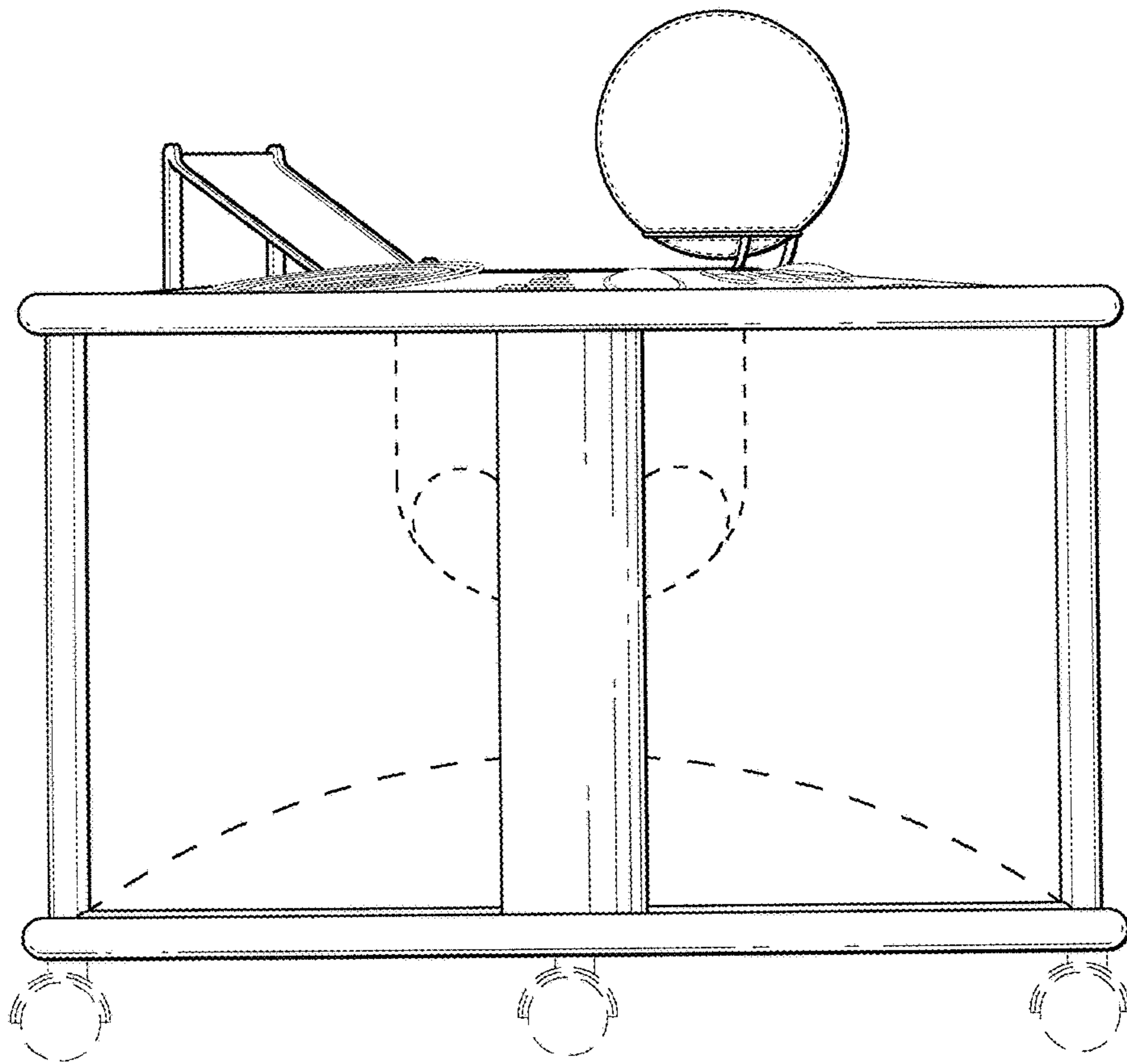


FIG. 3

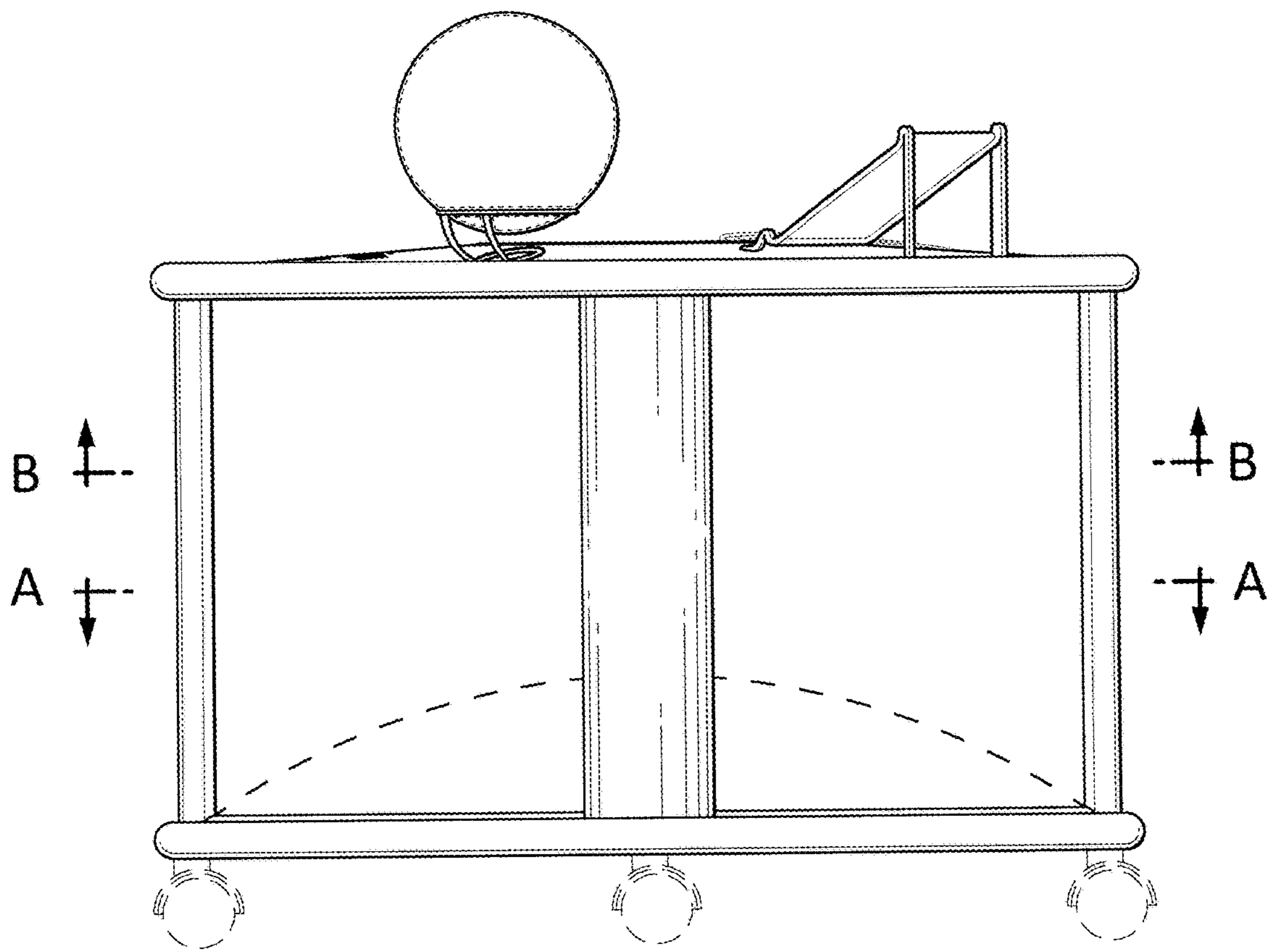


FIG. 4

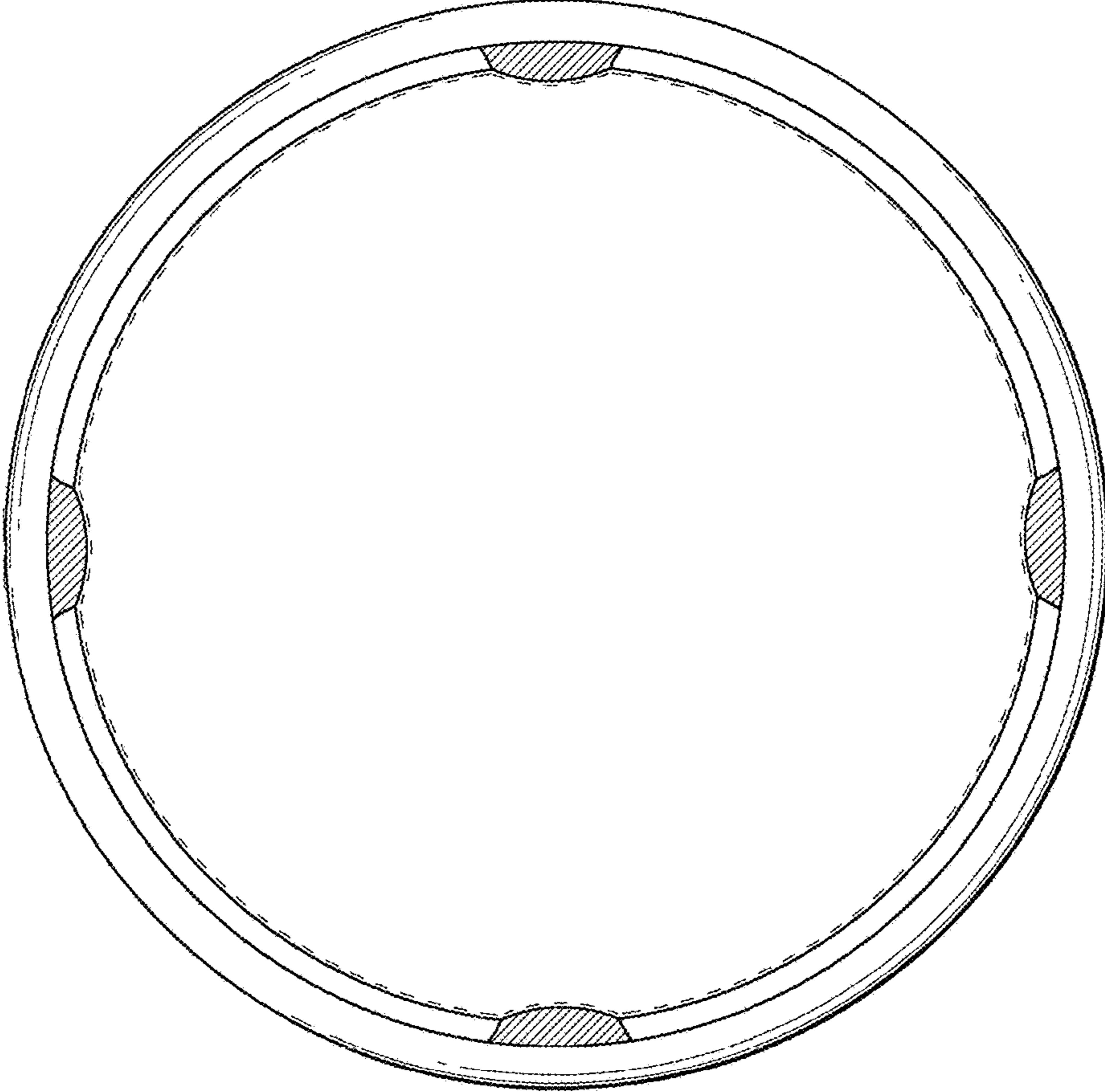


FIG. 5

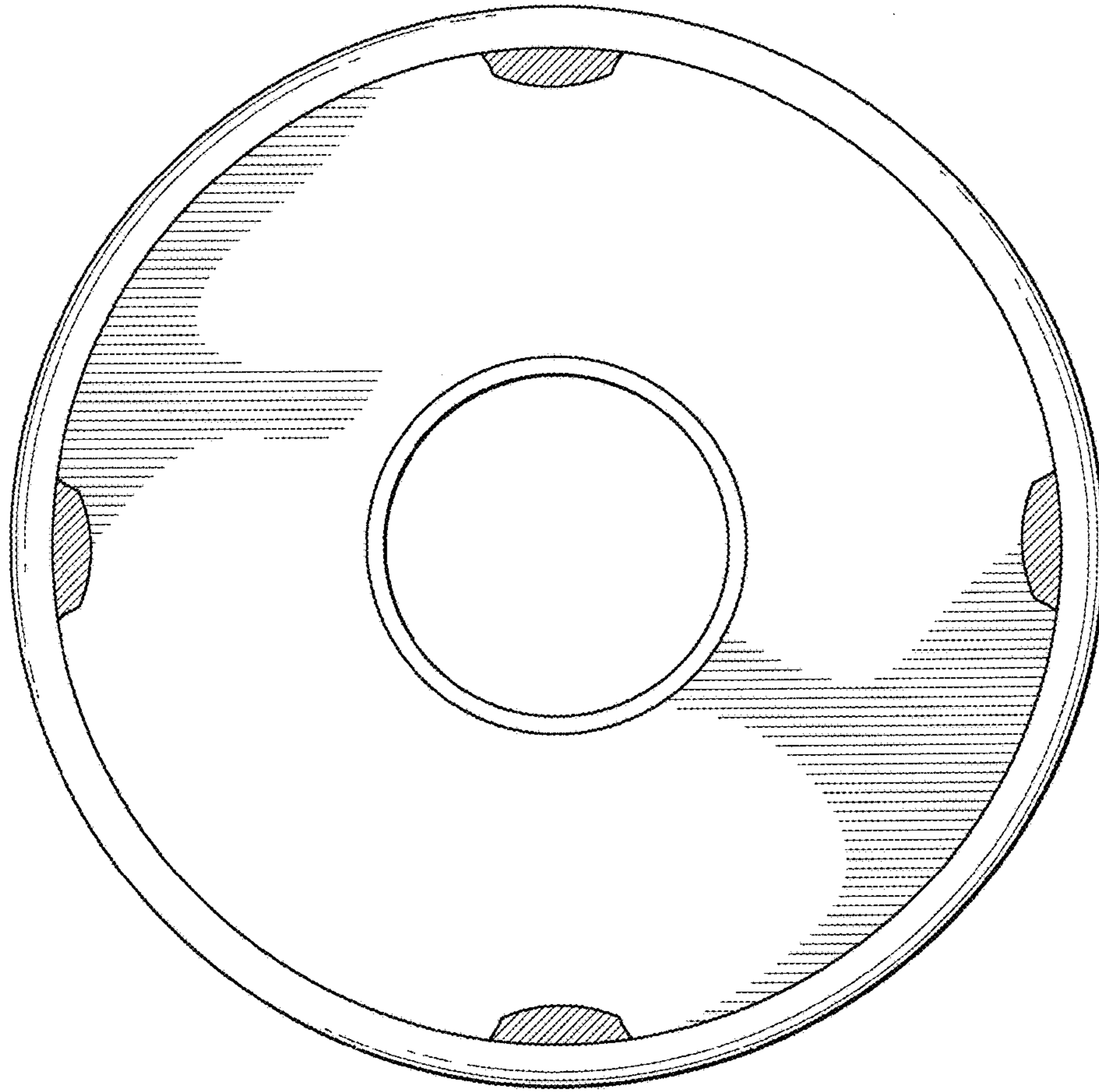


FIG. 6