



US00D864044S

(12) **United States Design Patent**
Holleis et al.

(10) **Patent No.:** **US D864,044 S**
(45) **Date of Patent:** **** Oct. 22, 2019**

(54) **STROLLER FOR CHILDREN**
(71) Applicant: **CYBEX GMBH**, Bayreuth (DE)
(72) Inventors: **Ralf Holleis**, Bayreuth (DE); **Johannes Häuser**, Bayreuth (DE)
(73) Assignee: **Cybox GmbH**, Bayreuth (DE)
(**) Term: **15 Years**
(21) Appl. No.: **35/505,619**
(22) Filed: **Mar. 9, 2018**
(80) **Hague Agreement Data**
Int. Filing Date: **Mar. 9, 2018**
Int. Reg. No.: **DM/100586**
Int. Reg. Date: **Mar. 9, 2018**
Int. Reg. Pub. Date: **Sep. 14, 2018**

5,388,852 A * 2/1995 Bigo B62B 7/08
280/42
D429,184 S * 8/2000 Yang D12/129
D463,330 S * 9/2002 Yang D12/129
D643,344 S * 8/2011 Barenbrug D12/129
D704,599 S * 5/2014 Canedos D12/129
D747,669 S * 1/2016 Cheng B62B 7/08
D12/129
D755,685 S * 5/2016 Angelfoss D12/129
D785,510 S * 5/2017 Marcuello D12/129
D794,513 S * 8/2017 Zhou D12/129
D835,009 S * 12/2018 Taylor D12/129
D840,280 S * 2/2019 Zhou D12/129

* cited by examiner

Primary Examiner — George D. Kirschbaum
Assistant Examiner — Joseph J Kukella
(74) *Attorney, Agent, or Firm* — Boyle Fredrickson, S.C.

(57) **CLAIM**

The ornamental design for a stroller for children, as shown and described.

(30) **Foreign Application Priority Data**
Sep. 14, 2017 (WO) 65820
(51) **LOC (12) Cl.** **12-12**
(52) **U.S. Cl.**
USPC **D12/129**
(58) **Field of Classification Search**
USPC D12/128–133
CPC B62B 7/00; B62B 7/002; B62B 7/004;
B62B 7/006; B62B 7/04; B62B 7/044;
B62B 7/048; B62B 7/06
See application file for complete search history.

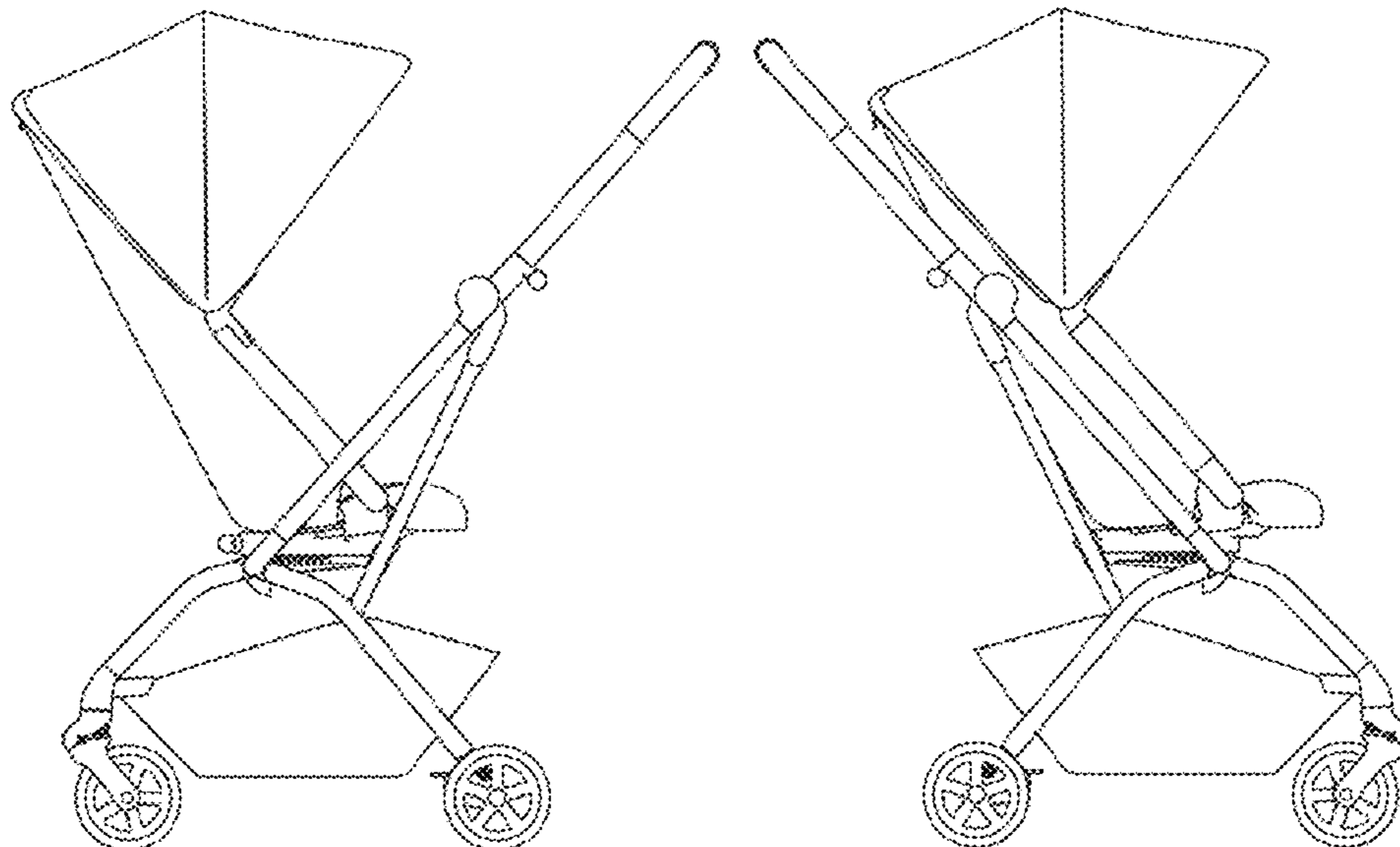
DESCRIPTION

- 1.-2. Stroller for children
- 1.1 : Perspective
- 1.2 : Front
- 1.3 : Rear
- 1.4 : Top
- 1.5 : Bottom
- 1.6 : Left Side
- 1.7 : Right Side
- 2.1 : Perspective
- 2.2 : Front
- 2.3 : Rear
- 2.4 : Top
- 2.5 : Bottom
- 2.6 : Right Side
- 2.7 : Left Side

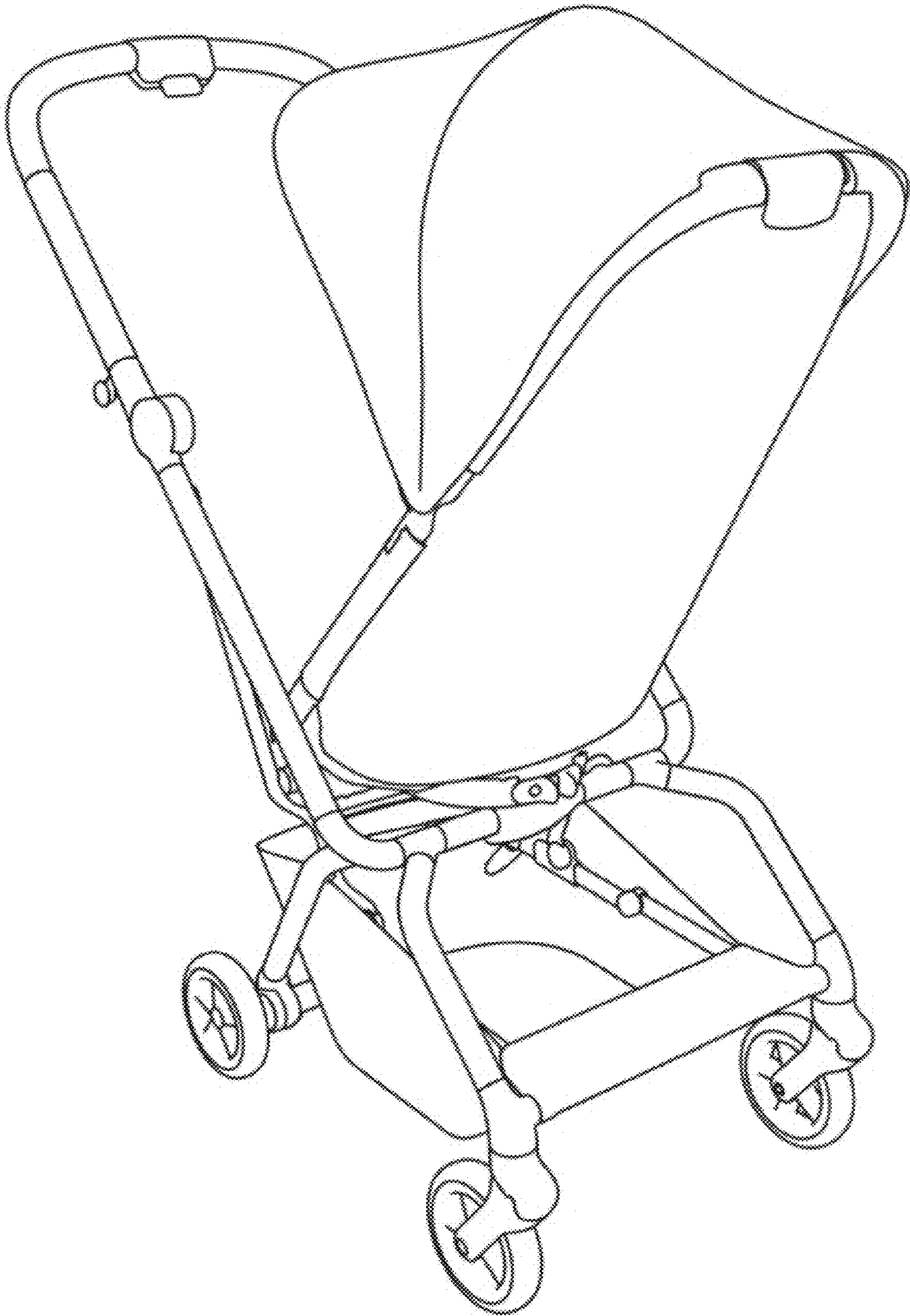
(56) **References Cited**
U.S. PATENT DOCUMENTS

D337,357 S * 7/1993 Monneret D12/129
D348,489 S * 7/1994 Monneret D12/129

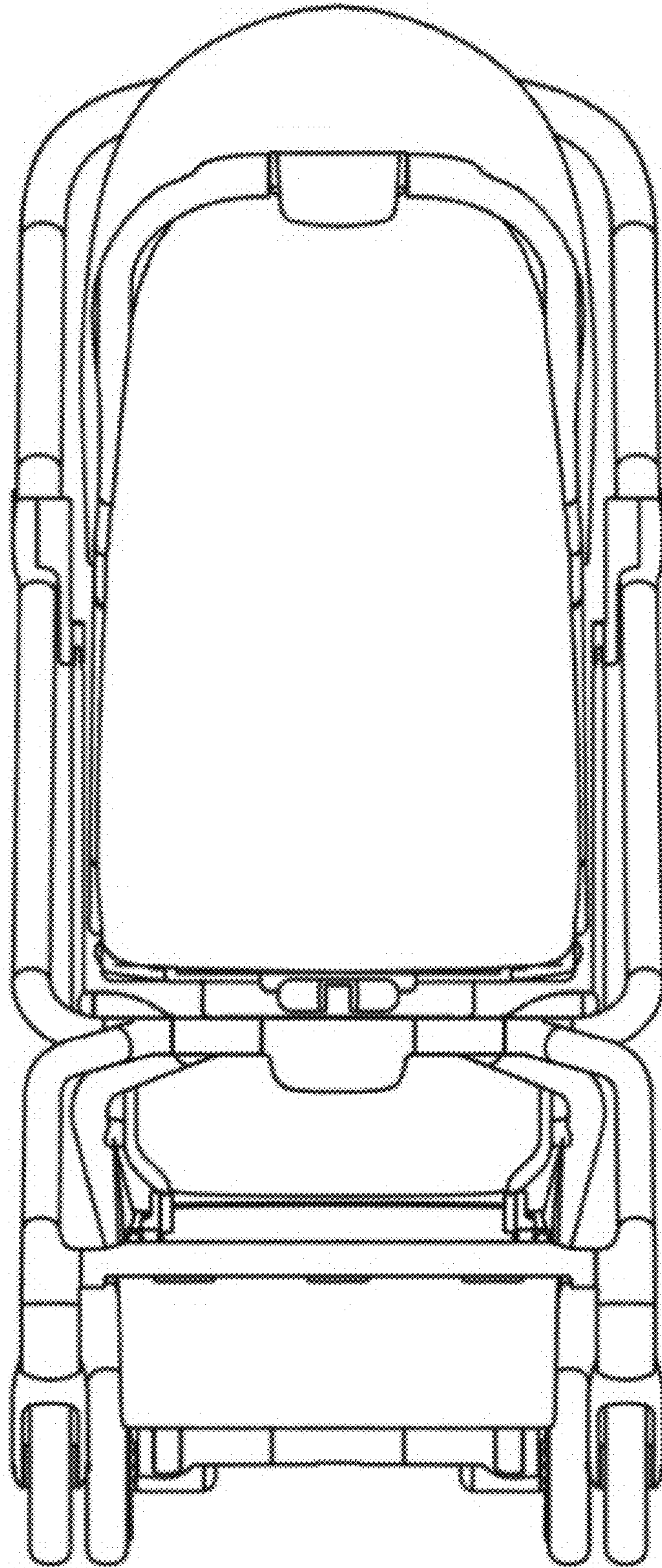
1 Claim, 14 Drawing Sheets



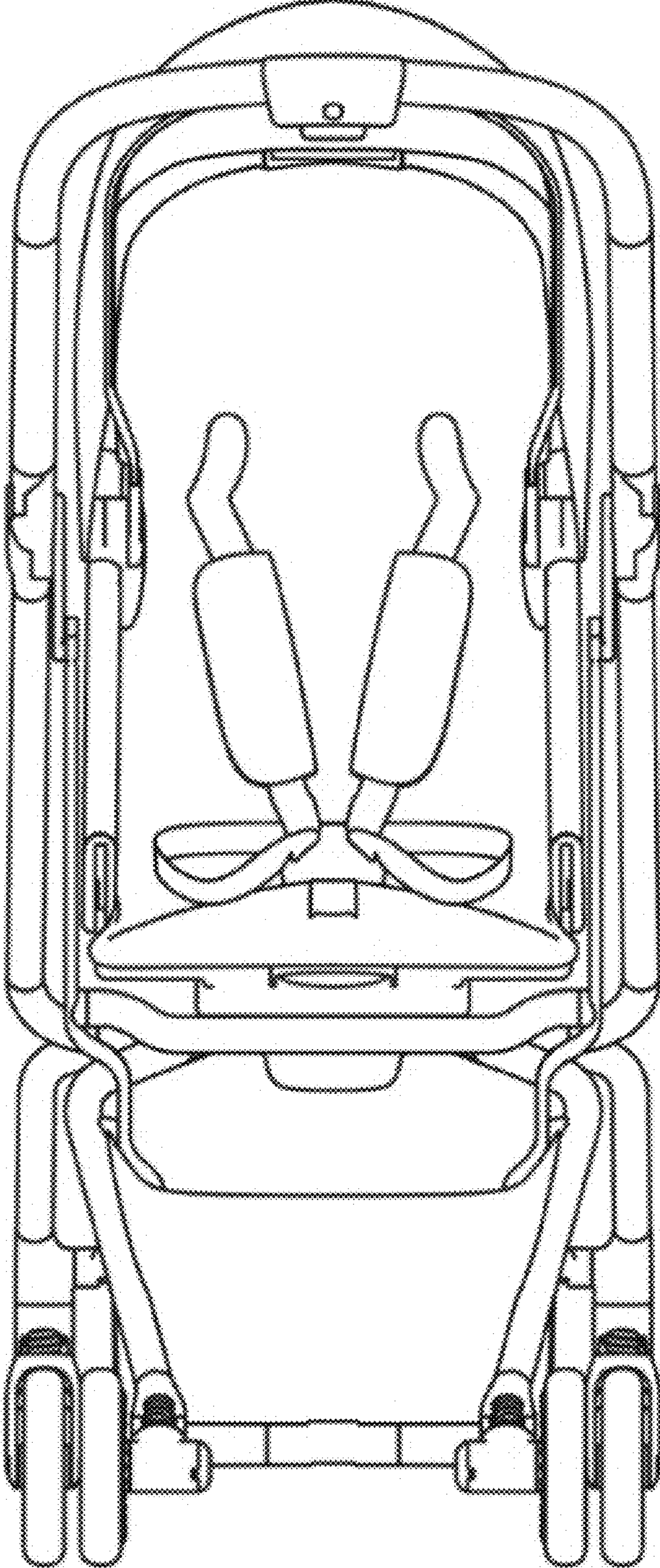
1.1



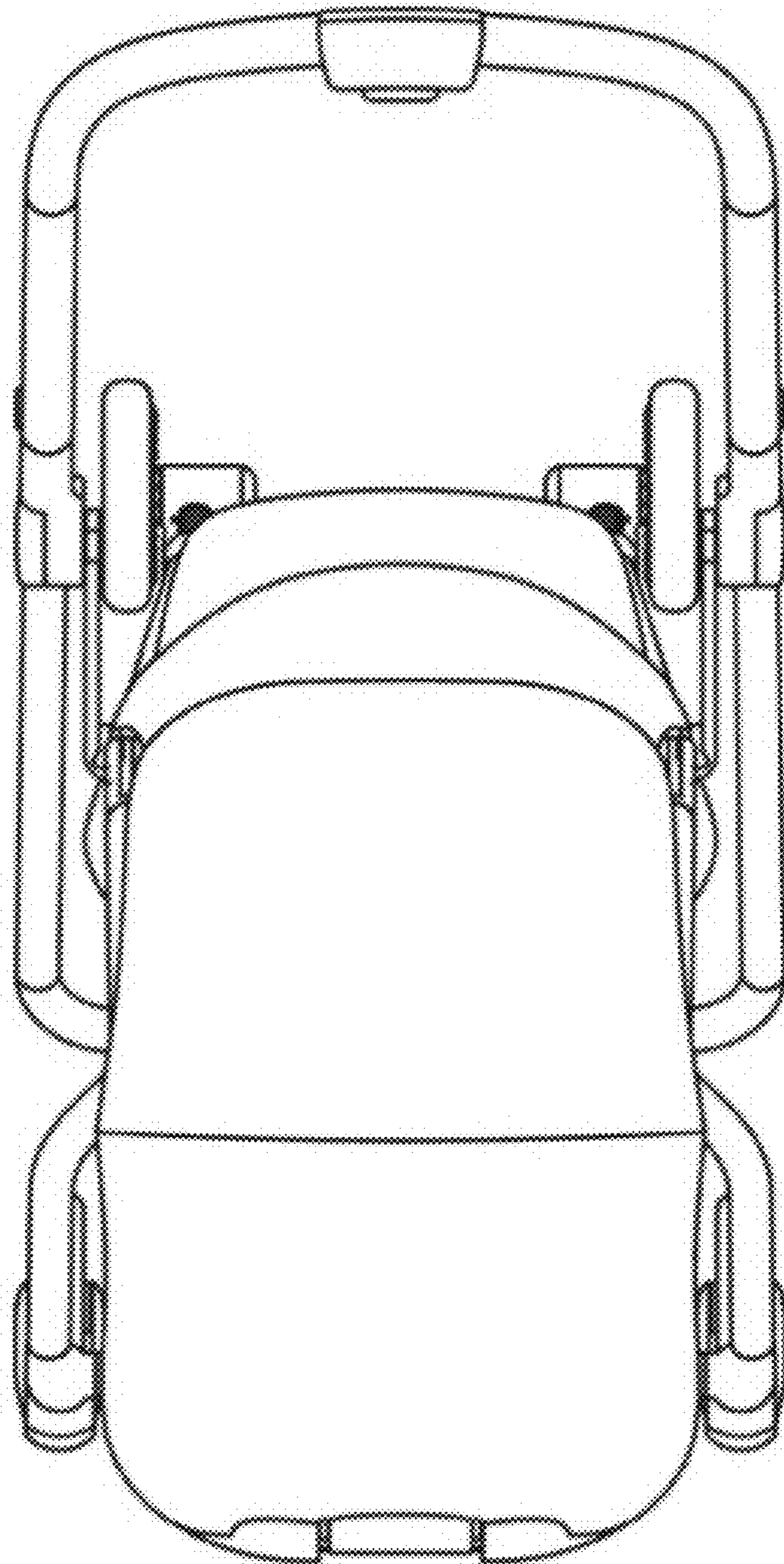
1.2



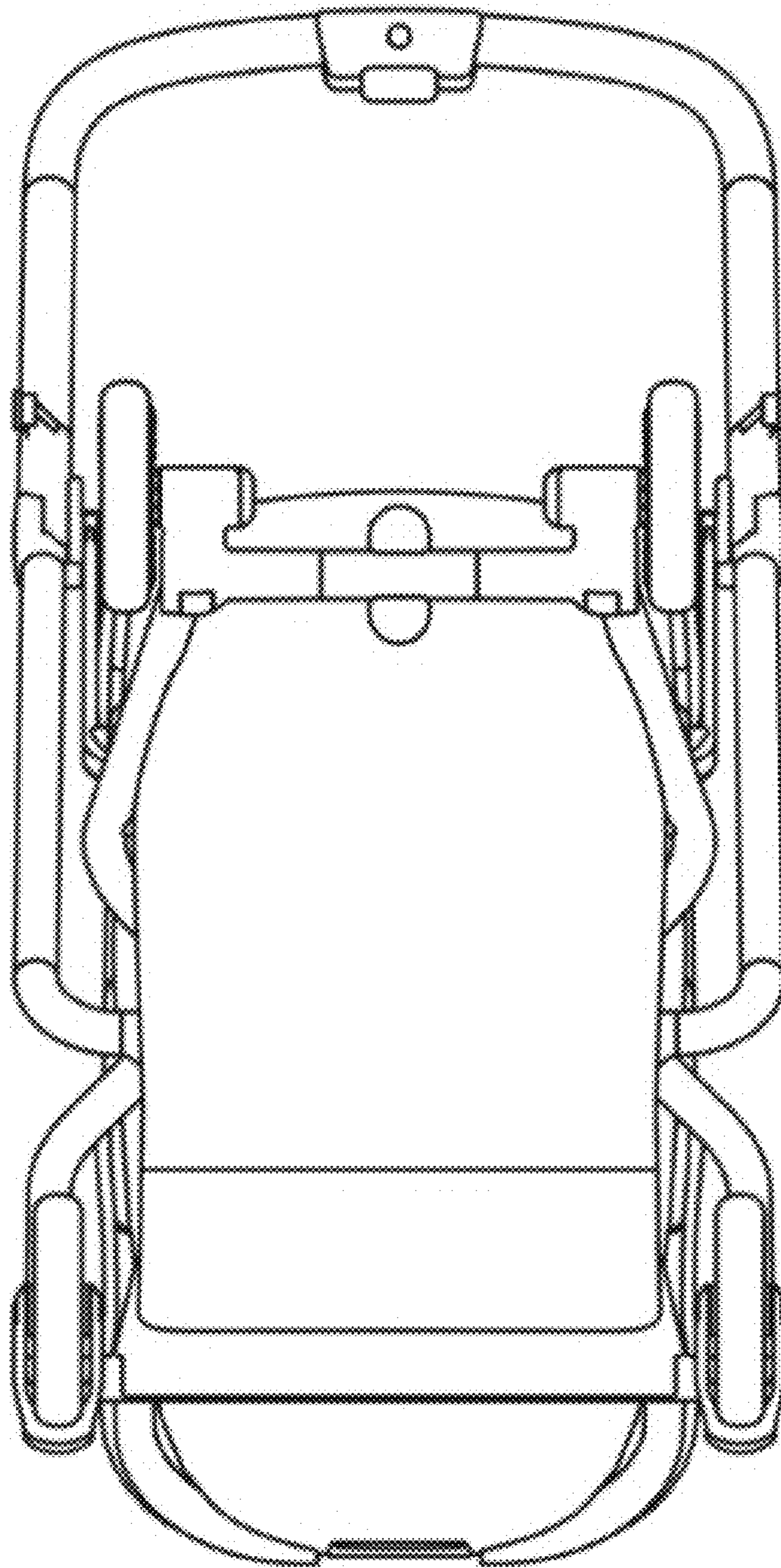
1.3



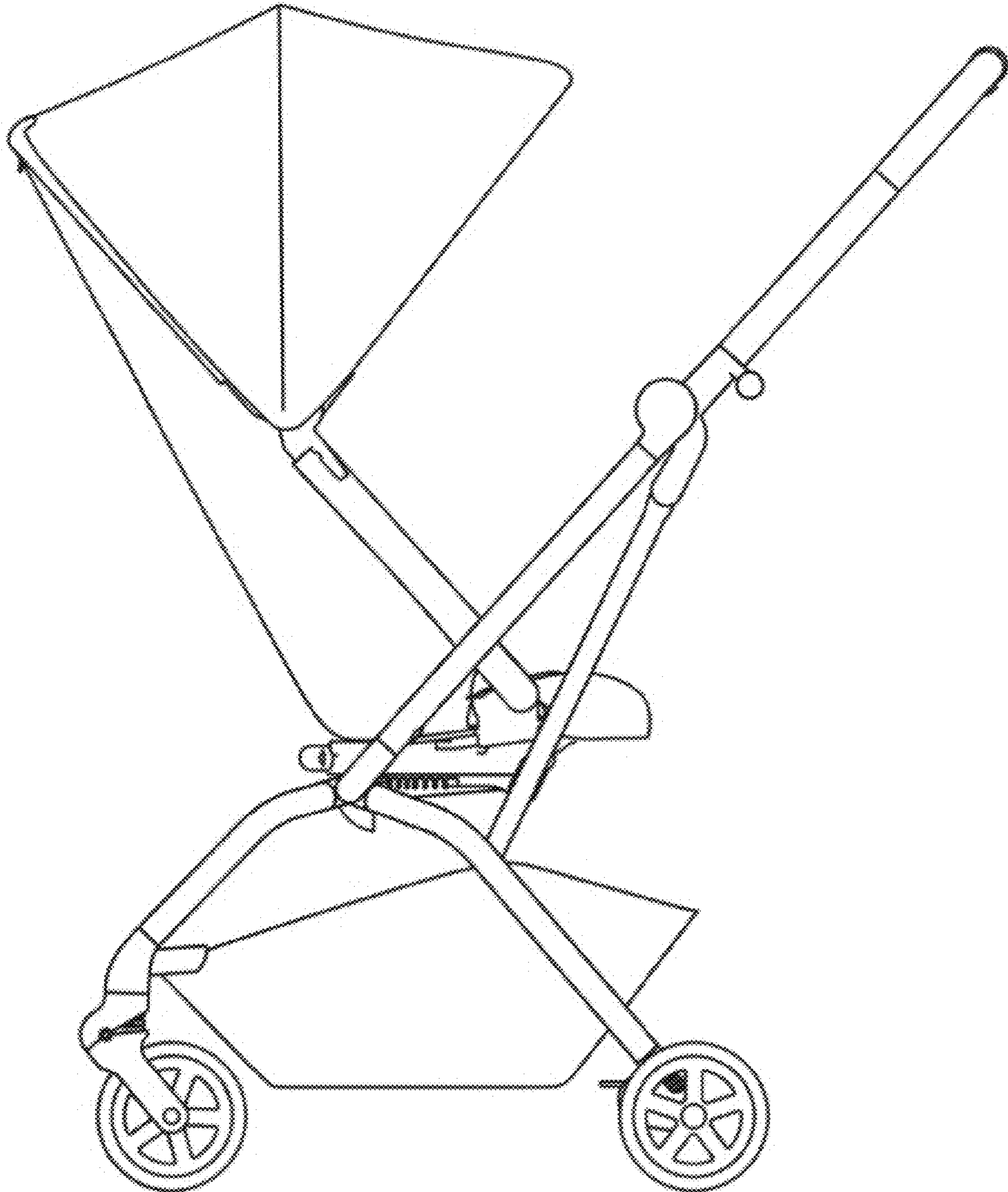
1.4



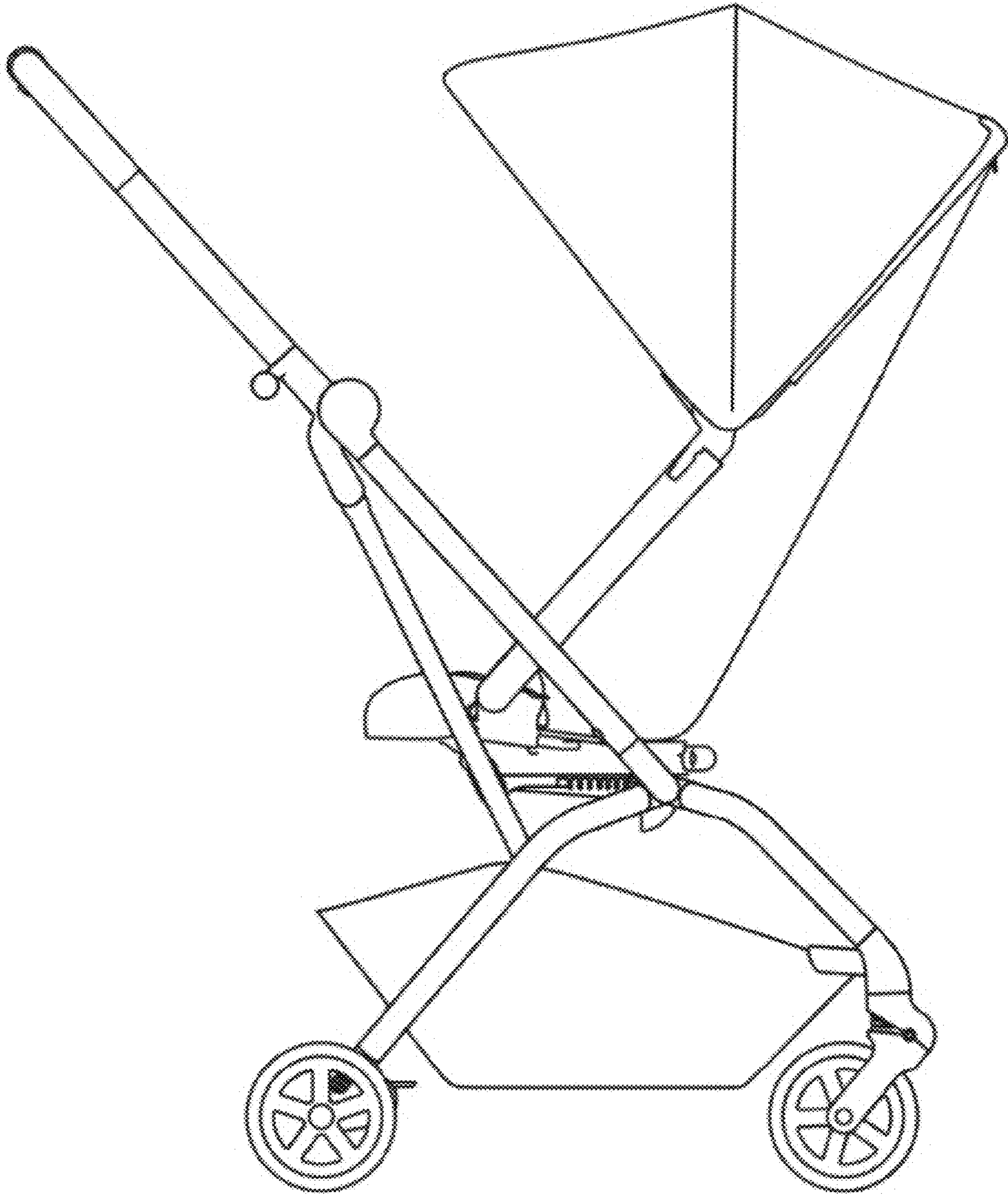
1.5



1.6



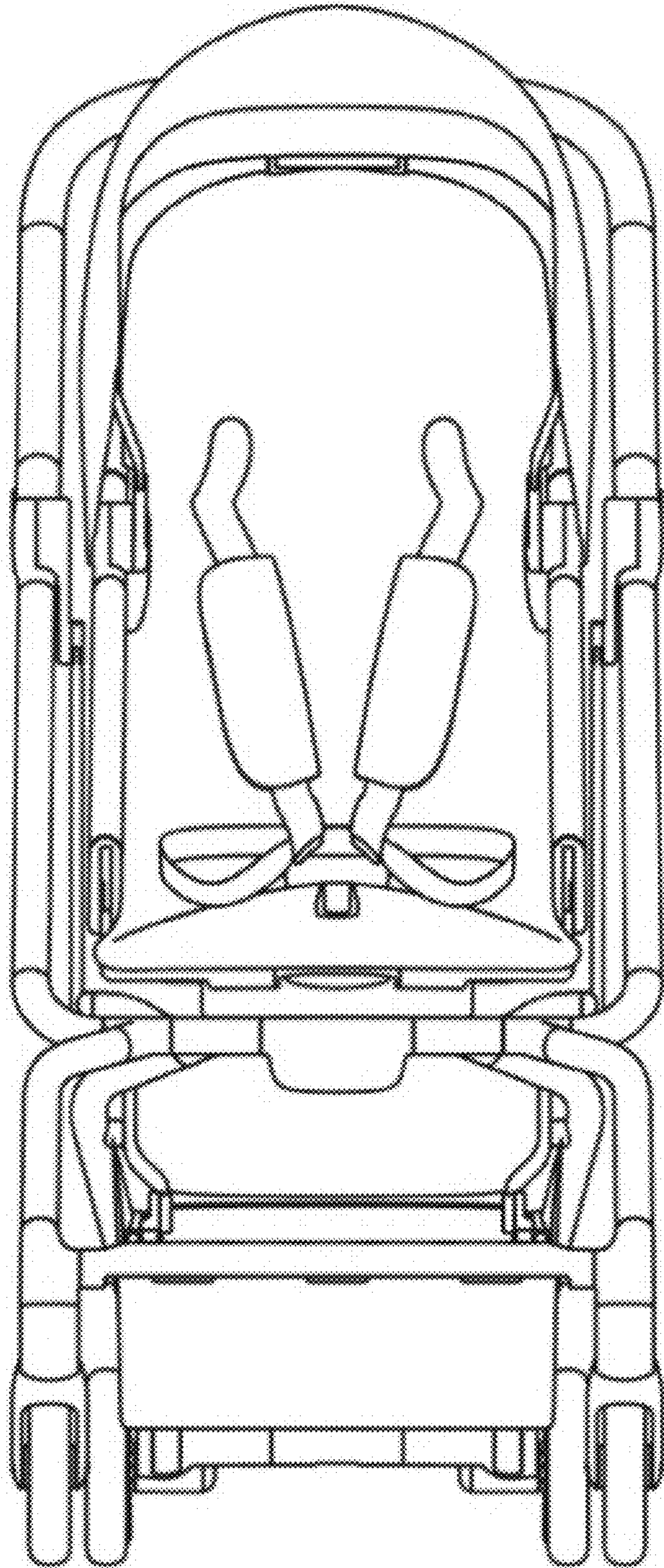
1.7



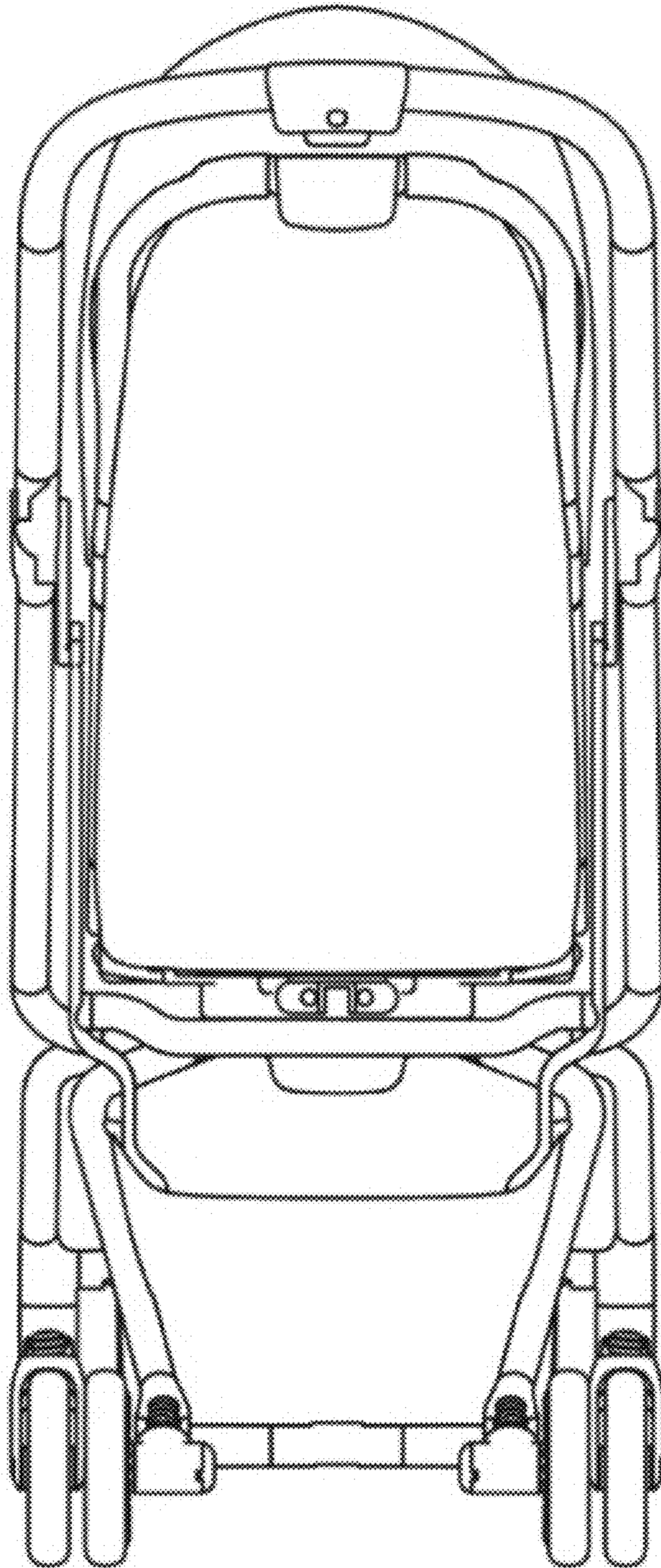
2.1



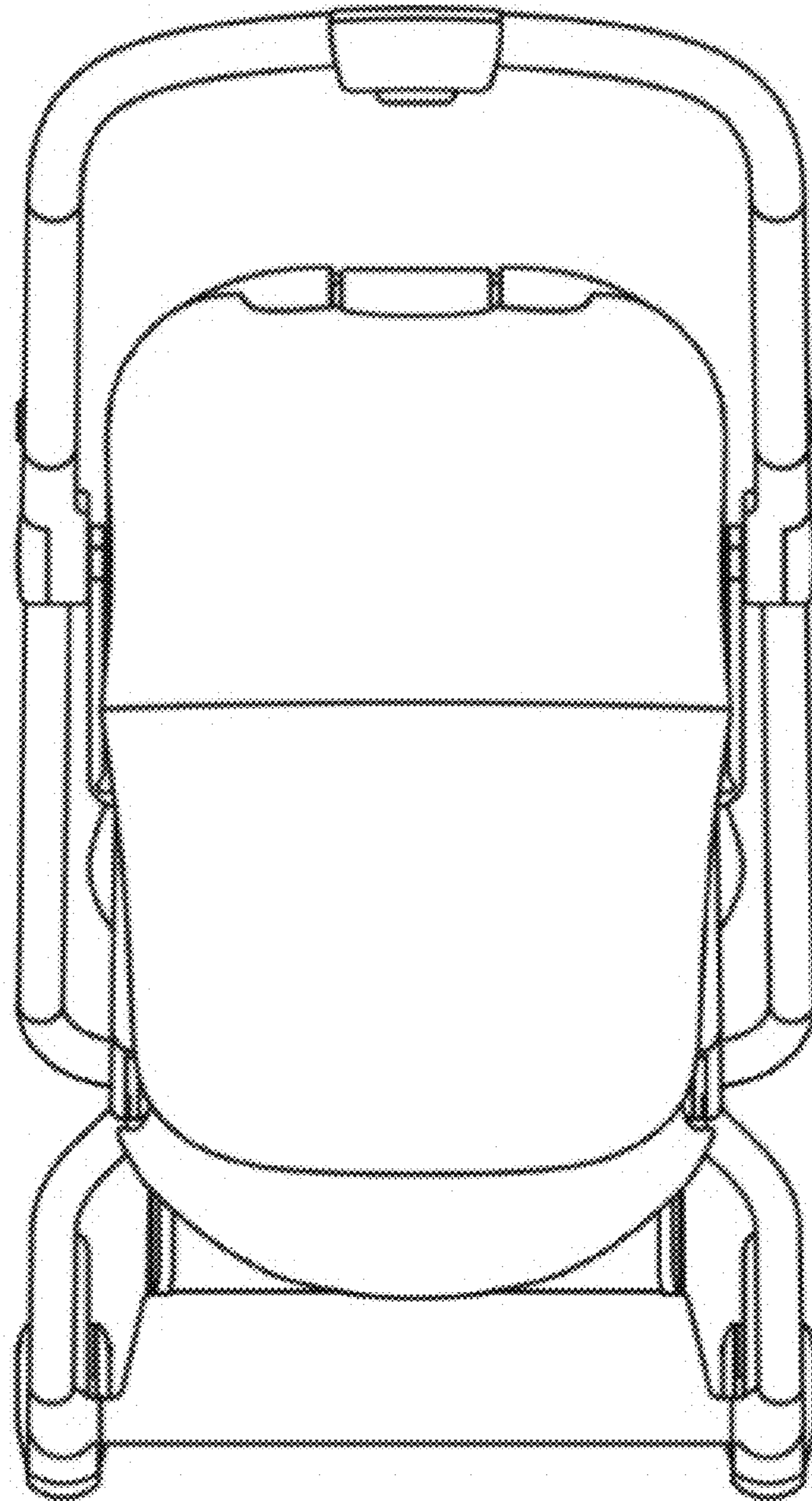
2.2



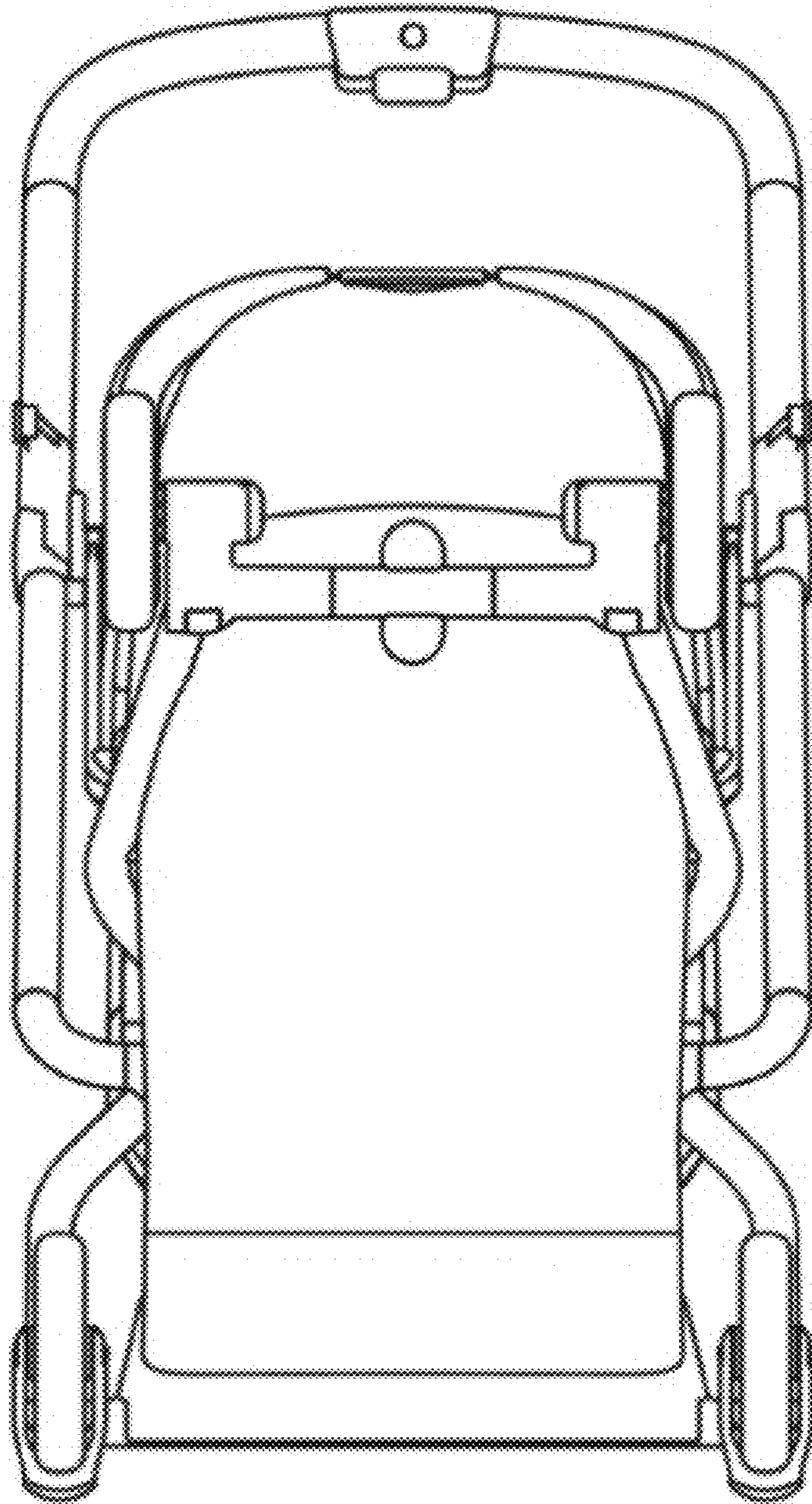
2.3



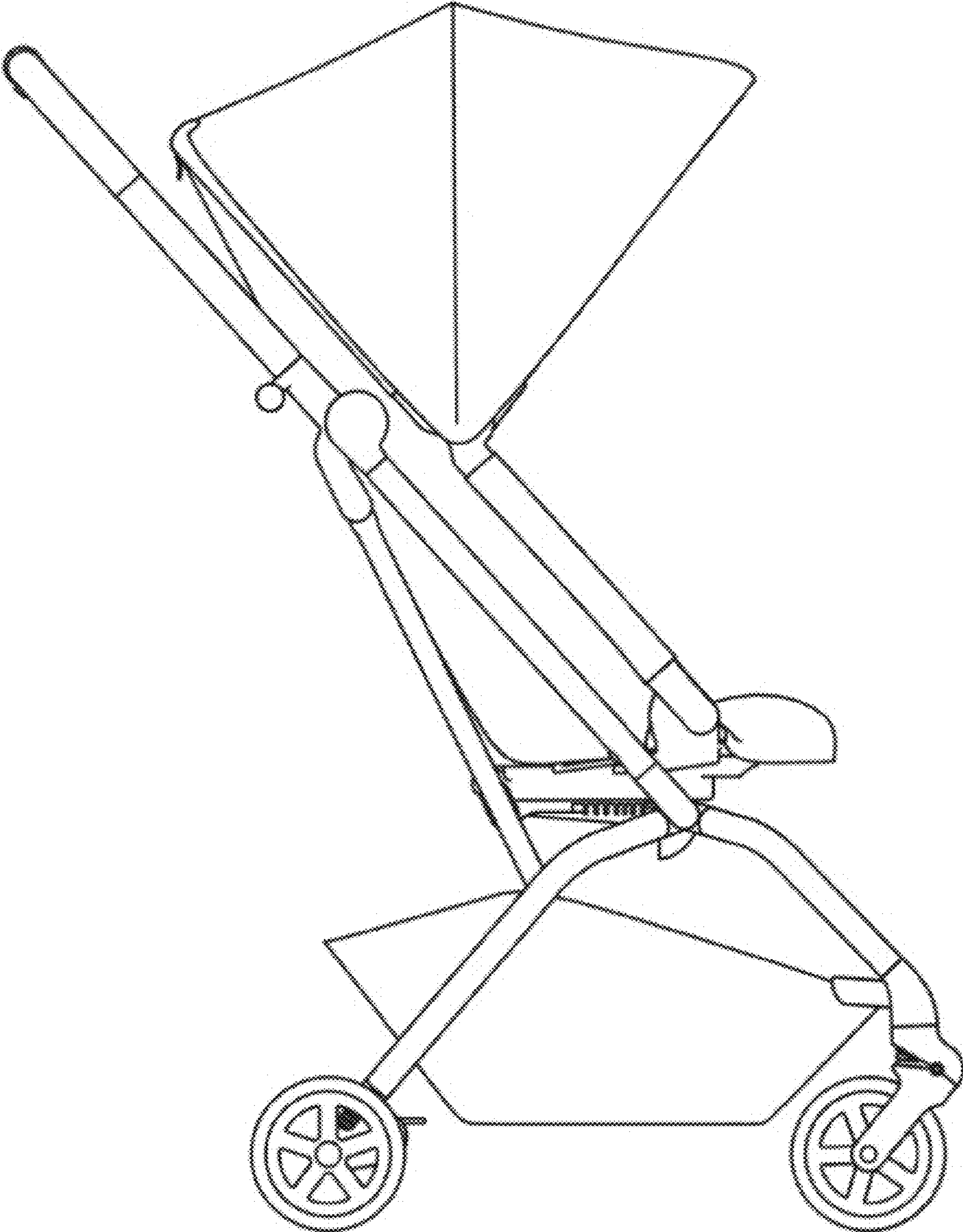
2.4



2.5



2.6



2.7

