



US00D864040S

(12) **United States Design Patent** (10) **Patent No.:** **US D864,040 S**
McFarland (45) **Date of Patent:** **** Oct. 22, 2019**

(54) **ATTACHMENT RECEIVER FOR A CONVERTIBLE BICYCLE**

D725,553 S * 3/2015 Lawson D12/111
D729,700 S * 5/2015 De Roeck D12/111
D735,619 S * 8/2015 Lawson D12/111

(Continued)

(71) Applicant: **Strider Sports International, Inc.**,
Rapid City, SD (US)

(72) Inventor: **Ryan McFarland**, Rapid City, SD (US)

(73) Assignee: **Strider Sports International, Inc.**,
Rapid City, SD (US)

(**) Term: **15 Years**

(21) Appl. No.: **29/613,528**

(22) Filed: **Aug. 10, 2017**

Related U.S. Application Data

(63) Continuation of application No. 15/605,694, filed on
May 25, 2017.

(51) **LOC (12) Cl.** **12-11**

(52) **U.S. Cl.**
USPC **D12/114**

(58) **Field of Classification Search**
USPC D12/111; D21/432, 435, 538
CPC B62K 9/02; B62K 15/00; B62K 15/008;
B62K 21/00; B62J 17/08
See application file for complete search history.

(56) **References Cited**

U.S. PATENT DOCUMENTS

640,756 A 1/1900 Douglas
3,945,667 A 3/1976 Cipres
D330,354 S * 10/1992 Ogden D12/111
D512,664 S * 12/2005 Schreier D12/111
D597,147 S * 7/2009 Verlinden D21/424
7,798,513 B1 9/2010 Salvant
D629,049 S * 12/2010 McFarland B62K 9/00
D12/111
8,464,609 B2 * 6/2013 Shiu B62K 13/00
280/278
D695,847 S * 12/2013 Liu D12/111

OTHER PUBLICATIONS

International Search Report and Written Opinion dated Sep. 18,
2017 for PCT/US2017/034774.

Primary Examiner — Darlington Ly

(74) *Attorney, Agent, or Firm* — Suiter Swantz pc llo

(57) **CLAIM**

The design for an attachment receiver for a convertible
bicycle, as shown and described.

DESCRIPTION

FIG. 1 is a top, front, and right side perspective view of an
attachment receiver for a convertible bicycle showing my
new design;

FIG. 2 is a right side elevation view thereof;

FIG. 3 is a front elevation view thereof;

FIG. 4 is a rear elevation view thereof;

FIG. 5 is a top plan view thereof;

FIG. 6 is an enlarged partial top plan view thereof;

FIG. 7 is a bottom plan view thereof;

FIG. 8 is an enlarged partial bottom plan view thereof;

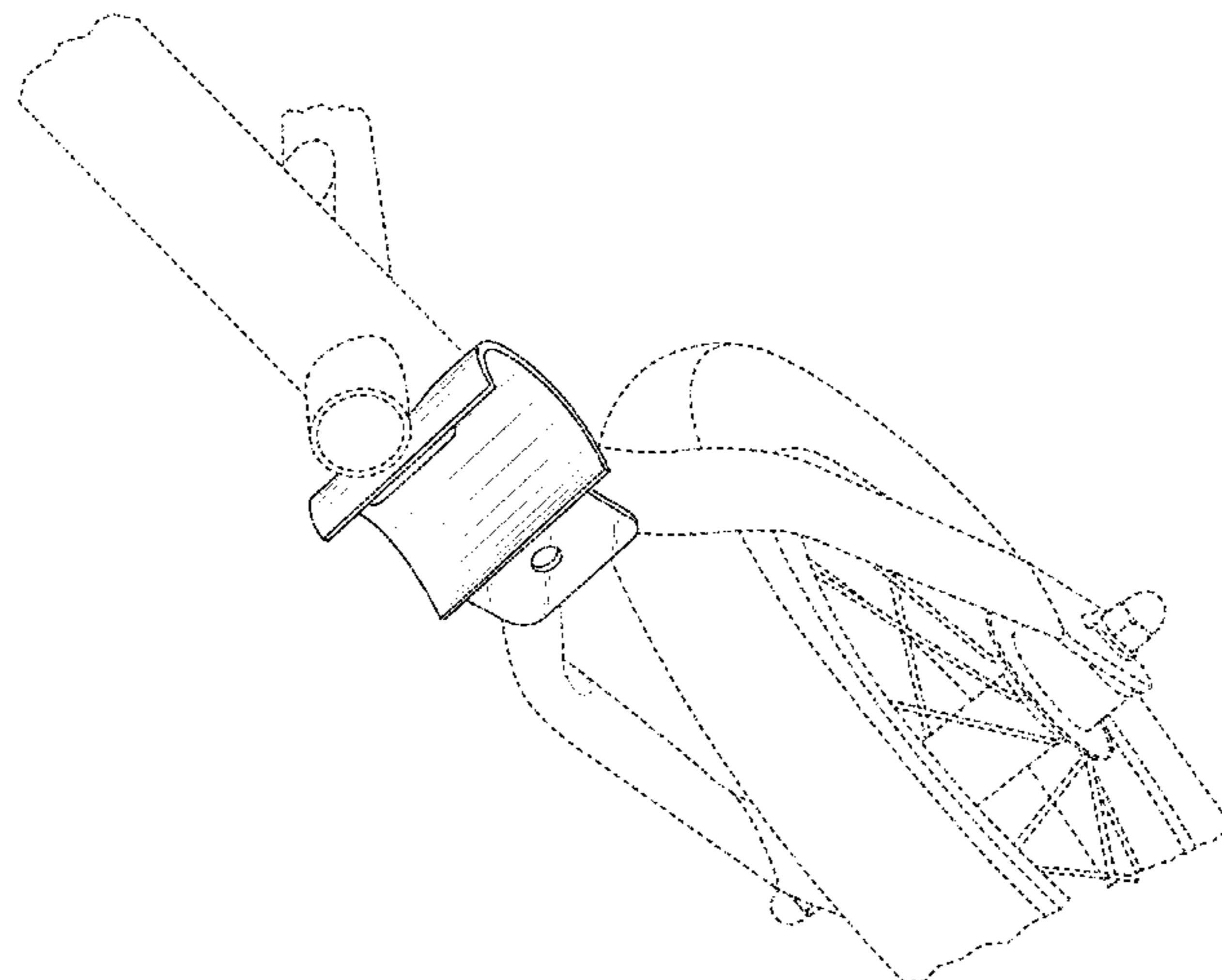
FIG. 9 is an enlarged partial bottom perspective view
thereof;

FIG. 10 is an enlarged partial bottom perspective view
thereof with an exemplary footrest attachment; and,

FIG. 11 is an enlarged partial bottom perspective view
thereof with an exemplary crankset and pedal assembly
attachments.

The broken line showing of the convertible bicycle, footrest,
crankset, and pedal assembly attachments are provided for
the purpose of illustrating environmental structures and
forms no part of the claimed design.

1 Claim, 11 Drawing Sheets



(56)

References Cited

U.S. PATENT DOCUMENTS

D735,620 S *	8/2015	Pape	B62K 9/00 D12/111
D780,071 S *	2/2017	Teal	D12/111
D797,201 S *	9/2017	Wu	D21/432
D828,786 S *	9/2018	Baker	D12/111
2008/0315553 A1	12/2008	Girout et al.	
2012/0000735 A1	1/2012	Iwai et al.	

* cited by examiner

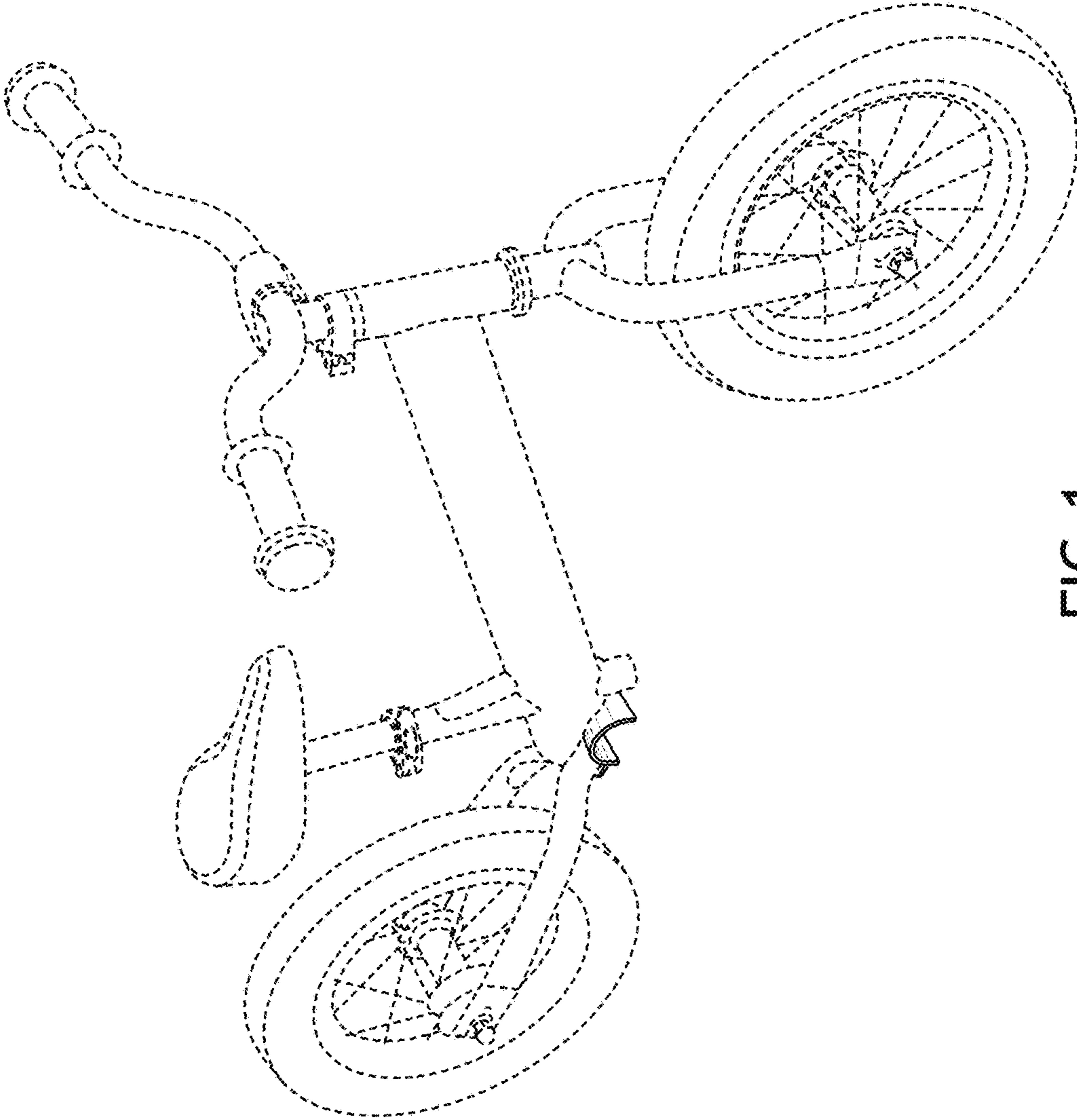


FIG. 1

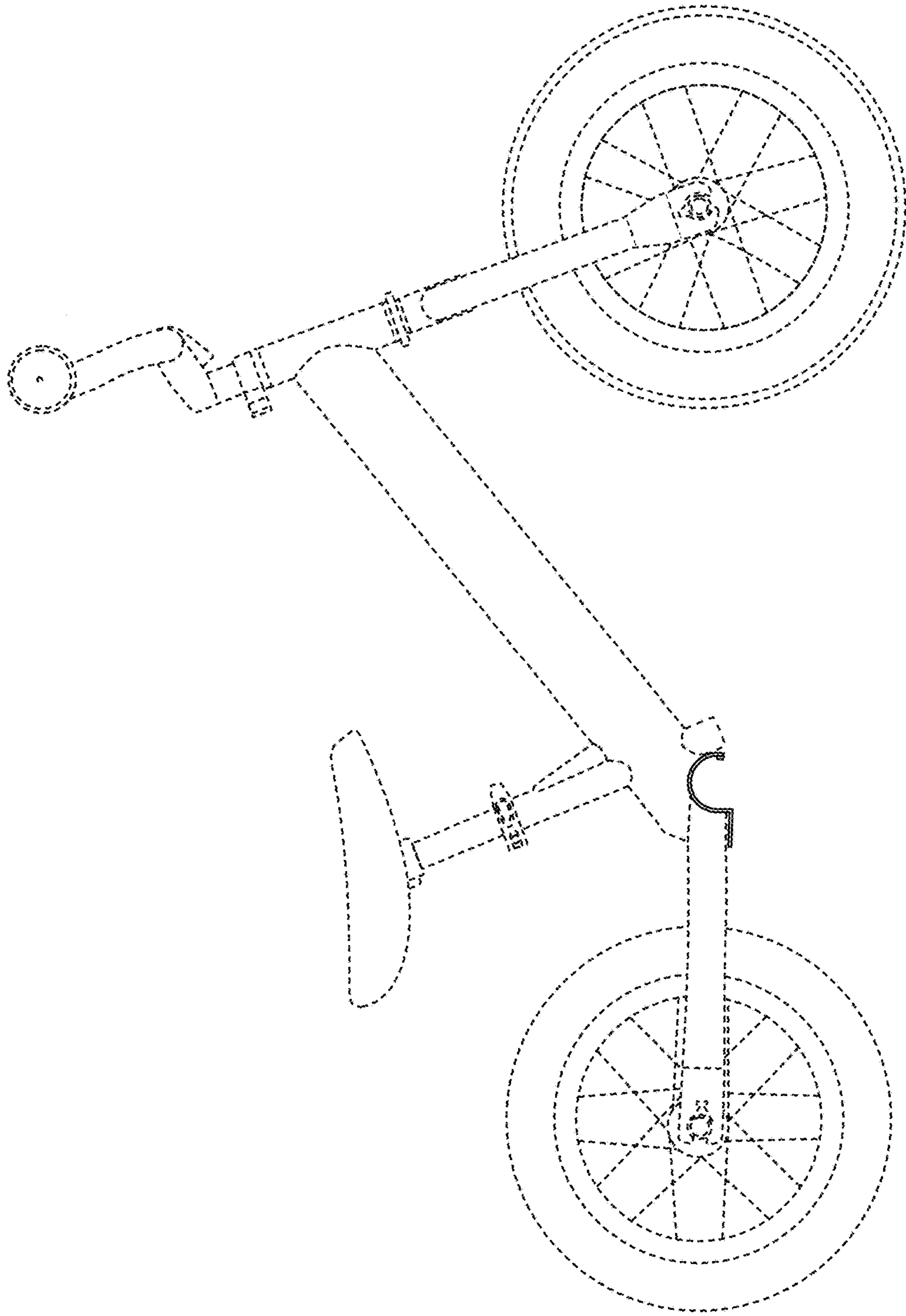


FIG. 2

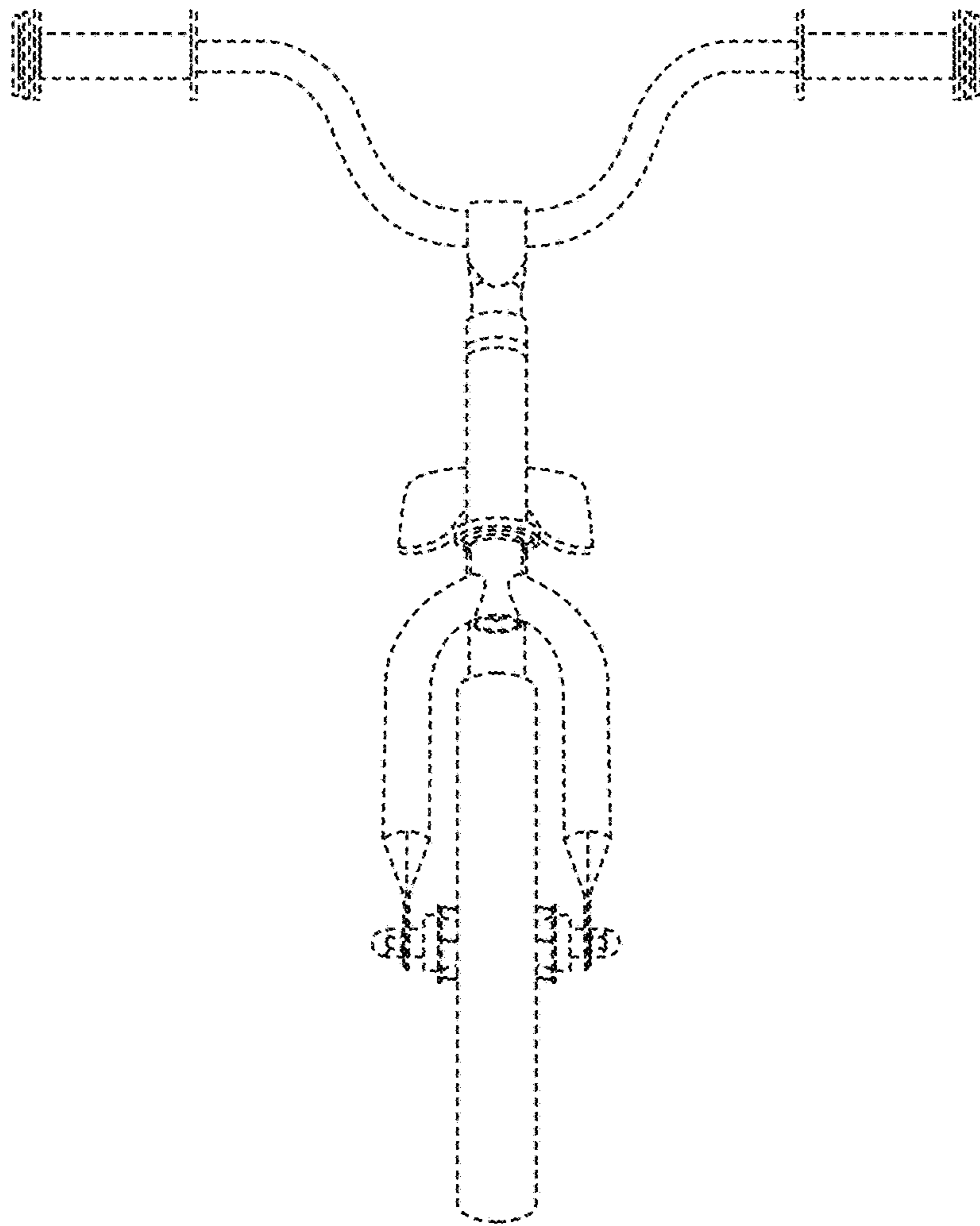


FIG. 3

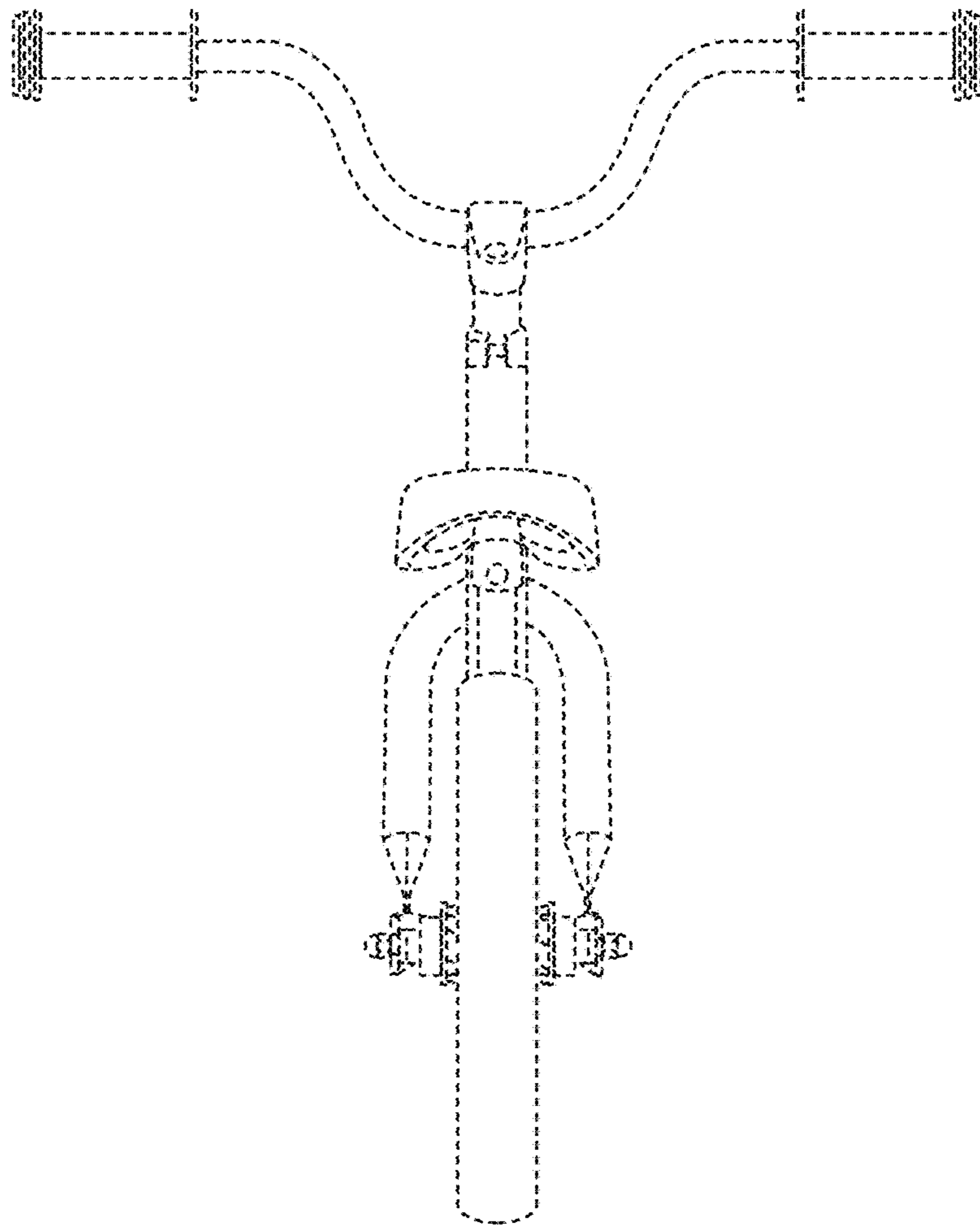


FIG.4

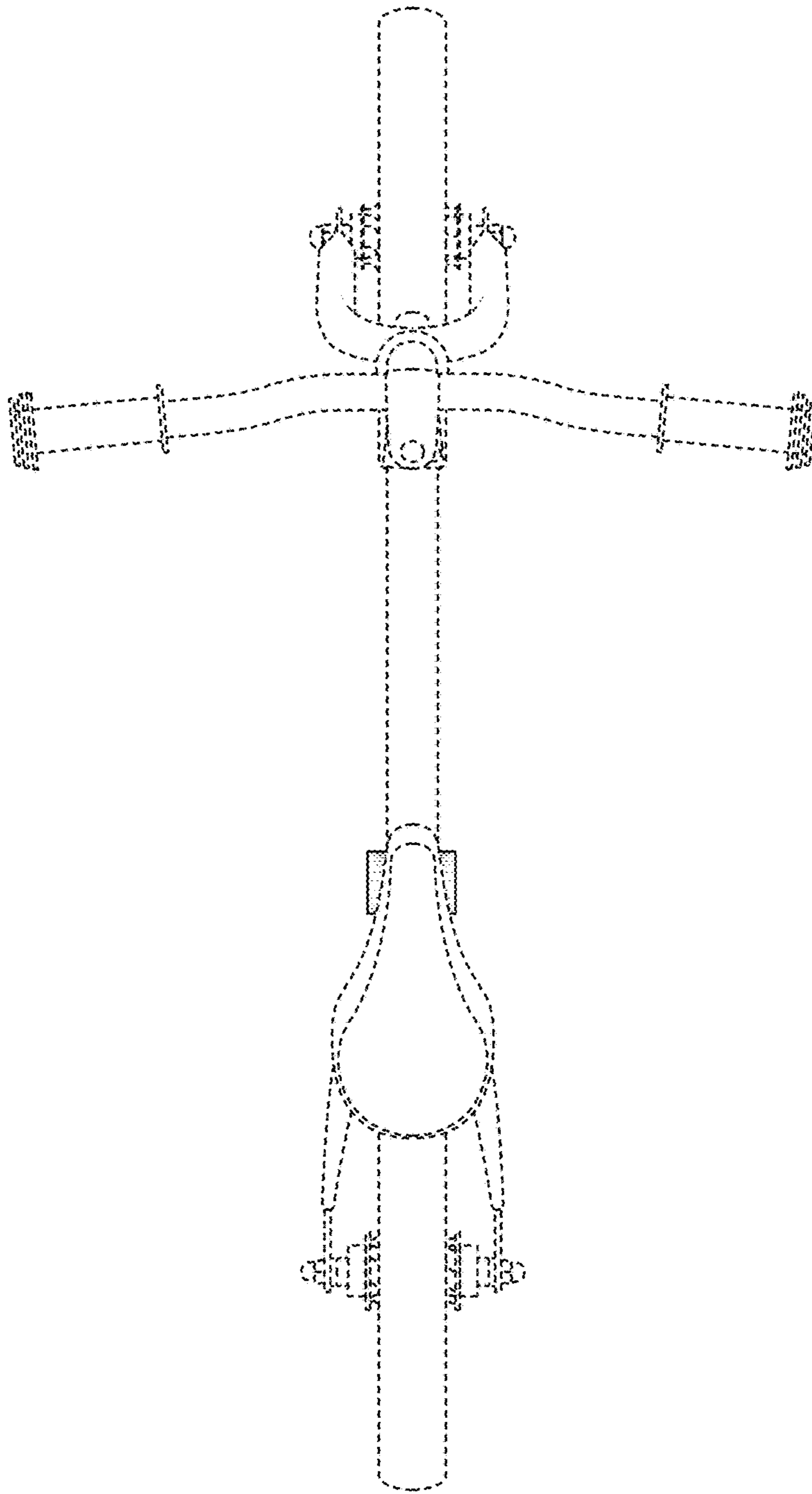


FIG. 5

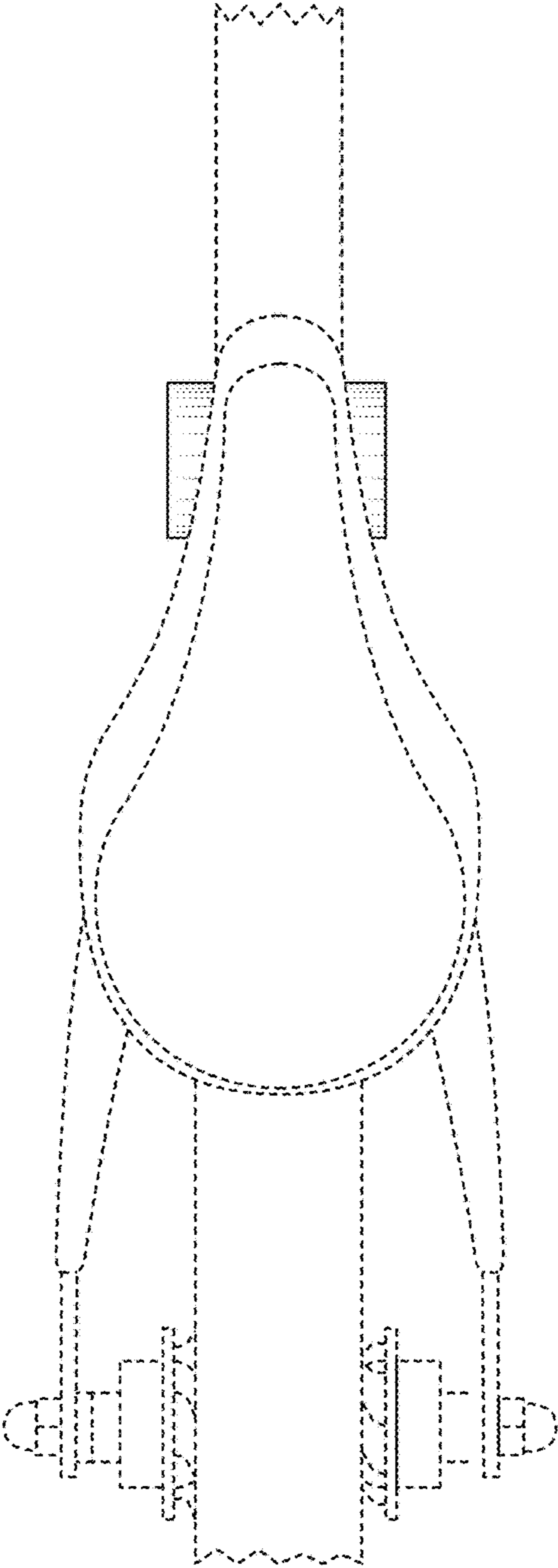


FIG.6

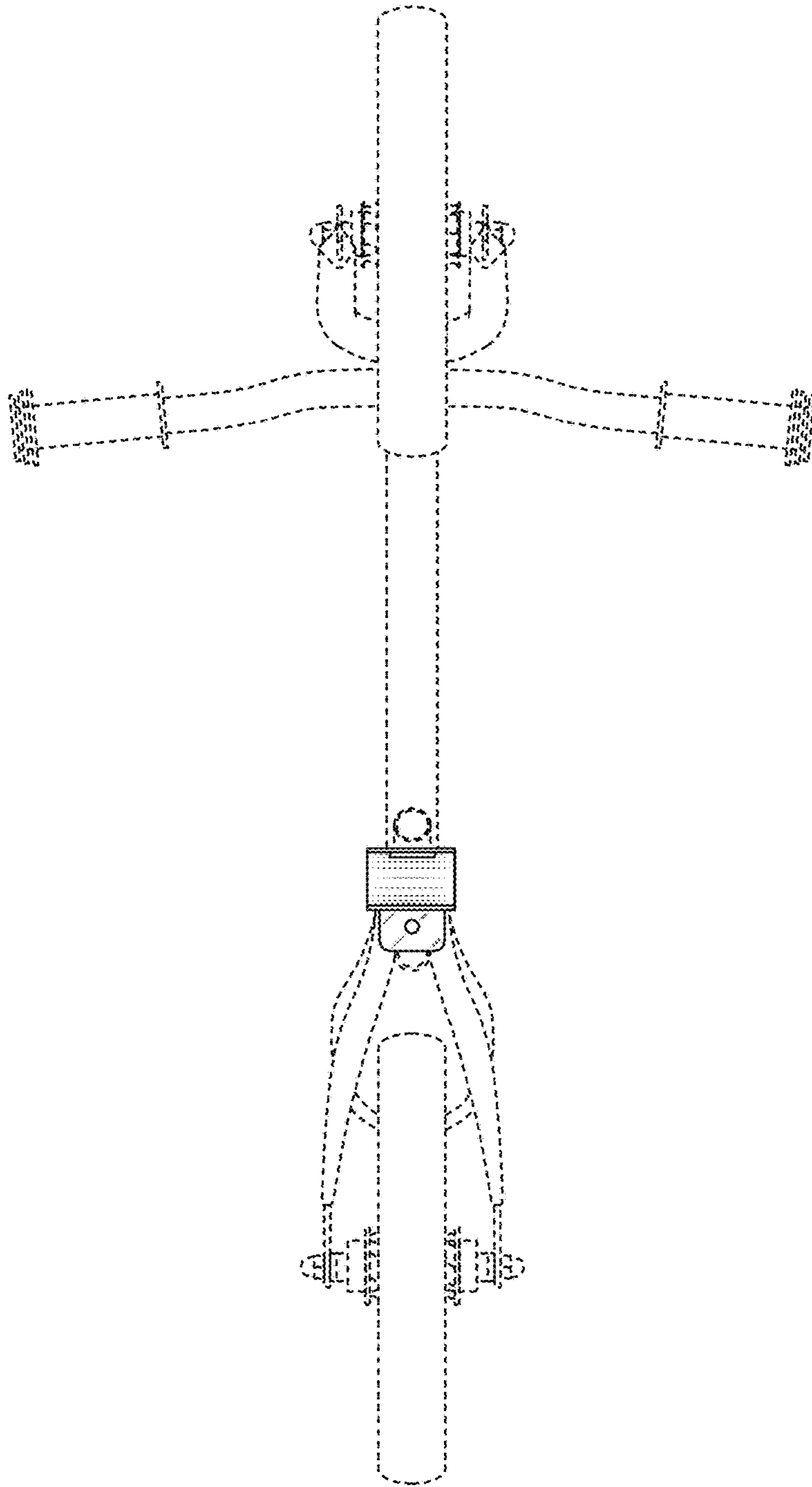


FIG.7

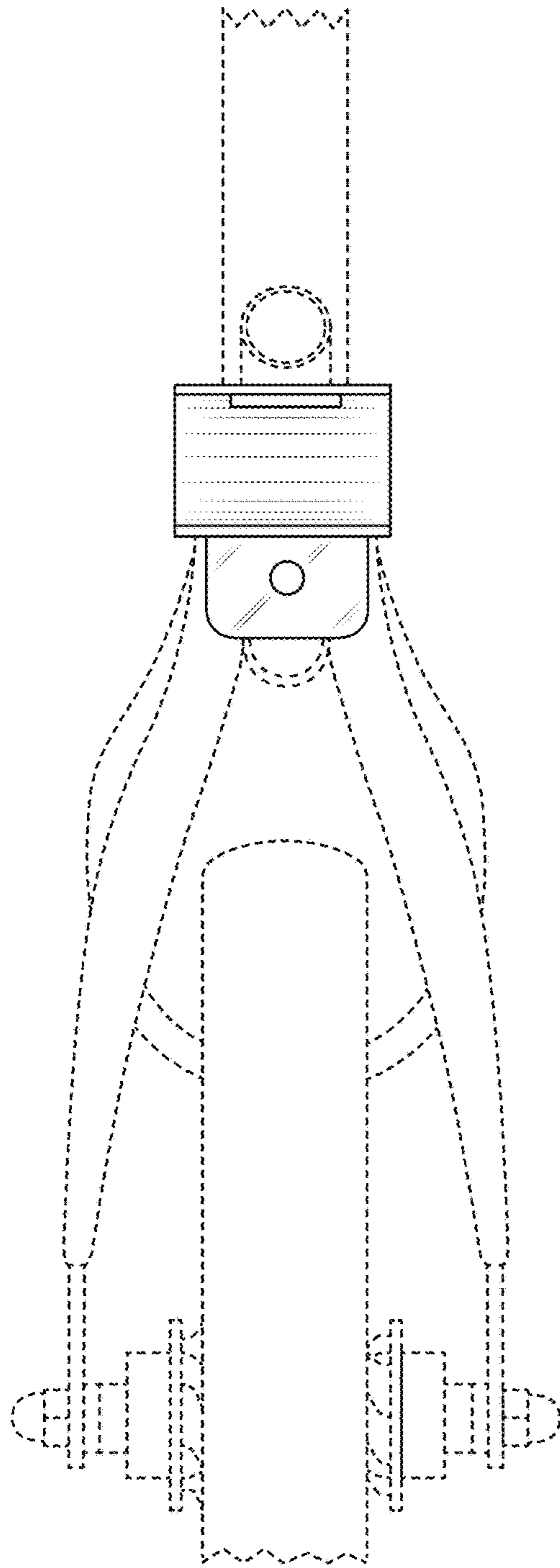


FIG. 8

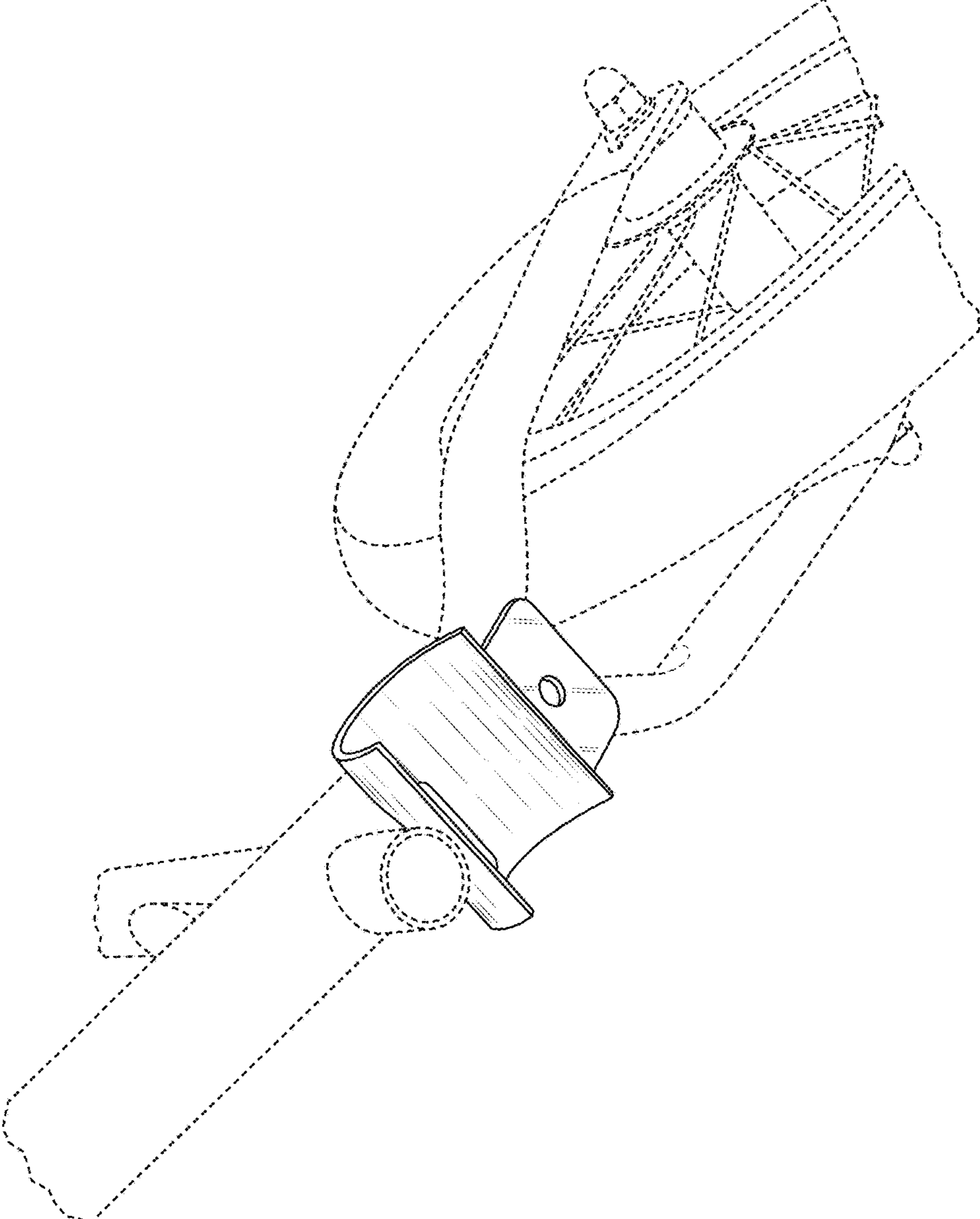


FIG. 9

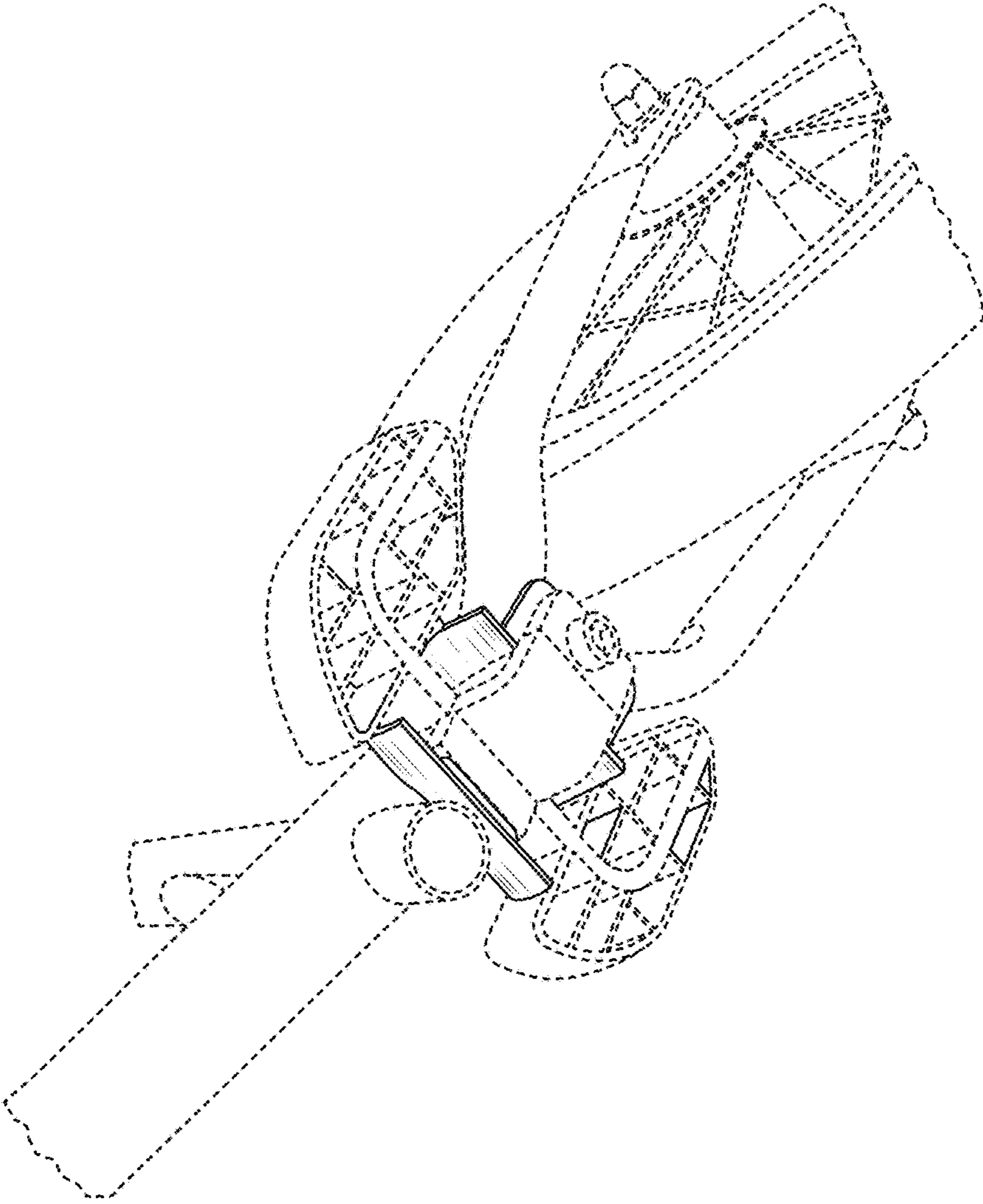


FIG.10

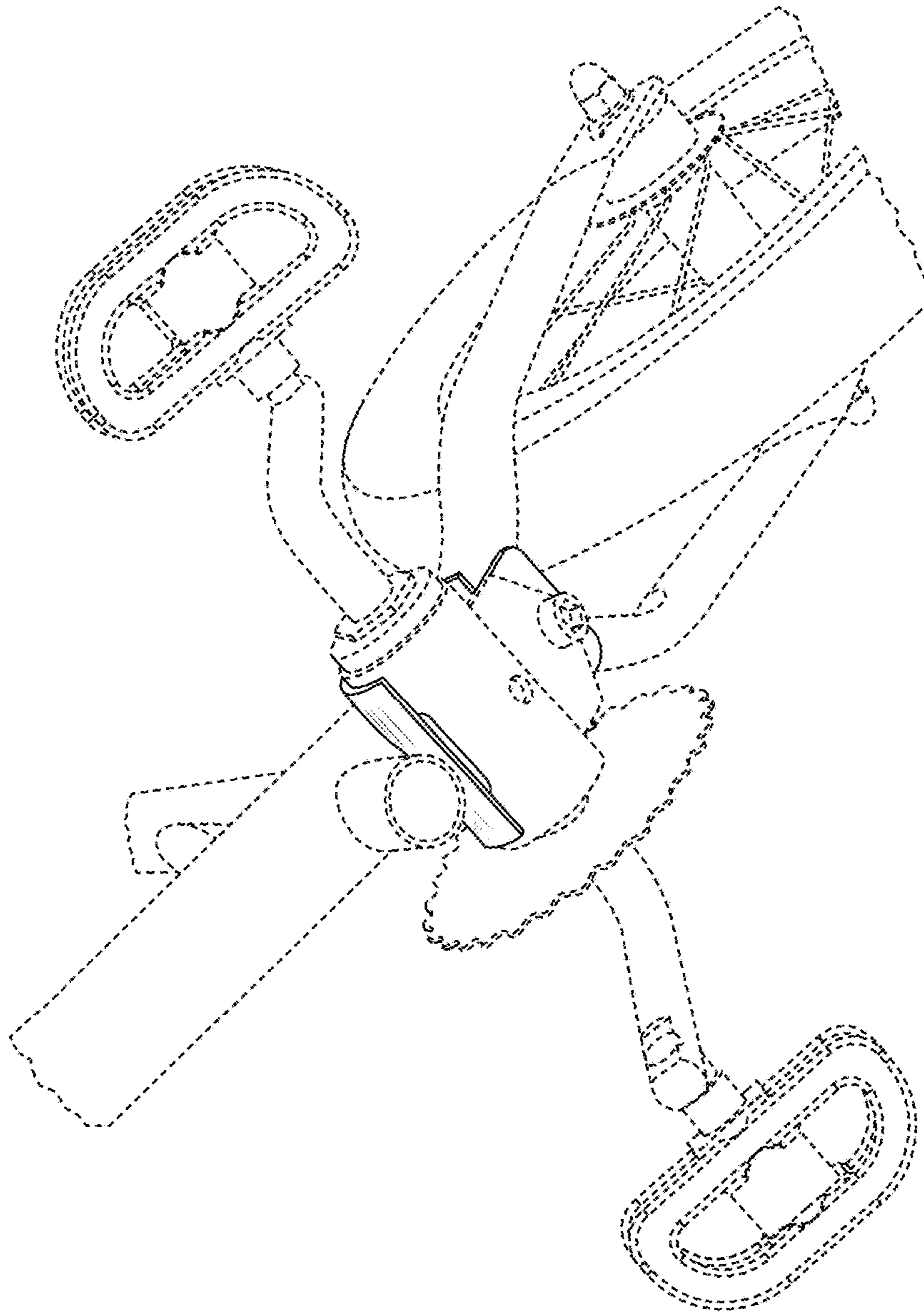


FIG.11