

US00D864039S

(12) **United States Design Patent**
Mathieu

(10) **Patent No.:** **US D864,039 S**

(45) **Date of Patent:** **** Oct. 22, 2019**

(54) **BICYCLE**

(71) Applicant: **VOLTITUDE LTD**, Les Charbonnieres
(CH)

(72) Inventor: **Lehaneur Mathieu**, Paris (FR)

(73) Assignee: **Voltitude LTD**, Les Charbonnieres
(CH)

(**) Term: **15 Years**

(21) Appl. No.: **35/504,288**

(22) Filed: **Jul. 7, 2017**

(80) **Hague Agreement Data**

Int. Filing Date: **Jul. 7, 2017**

Int. Reg. No.: **DM/096954**

Int. Reg. Date: **Jul. 7, 2017**

Int. Reg. Pub. Date: **Jan. 12, 2018**

(51) **LOC (12) Cl.** **12-11**

(52) **U.S. Cl.**
USPC **D12/111**

(58) **Field of Classification Search**
USPC D12/111, 117; D21/419, 424
CPC ... B62K 3/00; B62K 3/02; B62K 3/06; B62K
3/08; B62K 9/00; B62K 15/00; B62K
15/006; B62K 15/008; B62K 17/00
See application file for complete search history.

(56) **References Cited**

U.S. PATENT DOCUMENTS

| | | | | | |
|------------|---|---------|----------|-------|---------|
| D473,495 S | * | 4/2003 | Niitsu | | D12/111 |
| D487,234 S | * | 3/2004 | Chen | | D12/111 |
| D490,026 S | * | 5/2004 | Irbacher | | D12/111 |
| D497,122 S | * | 10/2004 | Uenaka | | D12/111 |
| D512,346 S | * | 12/2005 | Sinclair | | D12/111 |

| | | | | | |
|------------|---|---------|--------------|-------|---------|
| D536,645 S | * | 2/2007 | Cole | | D12/111 |
| D547,702 S | * | 7/2007 | Tabuchi | | D12/111 |
| D617,687 S | * | 6/2010 | Brady | | D12/111 |
| D654,403 S | * | 2/2012 | Kyu | | D12/111 |
| D724,497 S | * | 3/2015 | Harness | | D12/111 |
| D730,778 S | * | 6/2015 | Harness | | D12/111 |
| D774,979 S | * | 12/2016 | Delgatty | | D12/111 |
| D777,606 S | * | 1/2017 | Dai | | D12/111 |
| D780,637 S | * | 3/2017 | Shao | | D12/111 |
| D784,206 S | * | 4/2017 | Zhang | | D12/111 |
| D804,364 S | * | 12/2017 | Xianqiang | | D12/111 |
| D807,232 S | * | 1/2018 | Bailie | | D12/111 |
| D807,233 S | * | 1/2018 | Zhang | | D12/111 |
| D809,434 S | * | 2/2018 | Le | | D12/111 |
| D811,946 S | * | 3/2018 | Williams | | D12/111 |
| D826,788 S | * | 8/2018 | Hu | | D12/111 |
| D829,133 S | * | 9/2018 | Rahmatulloev | | D12/111 |

* cited by examiner

Primary Examiner — Darlington Ly

(74) *Attorney, Agent, or Firm* — Blank Rome LLP

(57) **CLAIM**

The ornamental design for a bicycle, as shown and described.

DESCRIPTION

1.1 is a front elevation view of a bicycle showing my new design;

1.2 is a bottom plan view thereof;

1.3 is a rear elevation view thereof;

1.4 is a top plan view thereof;

1.5 is a left side elevation view thereof;

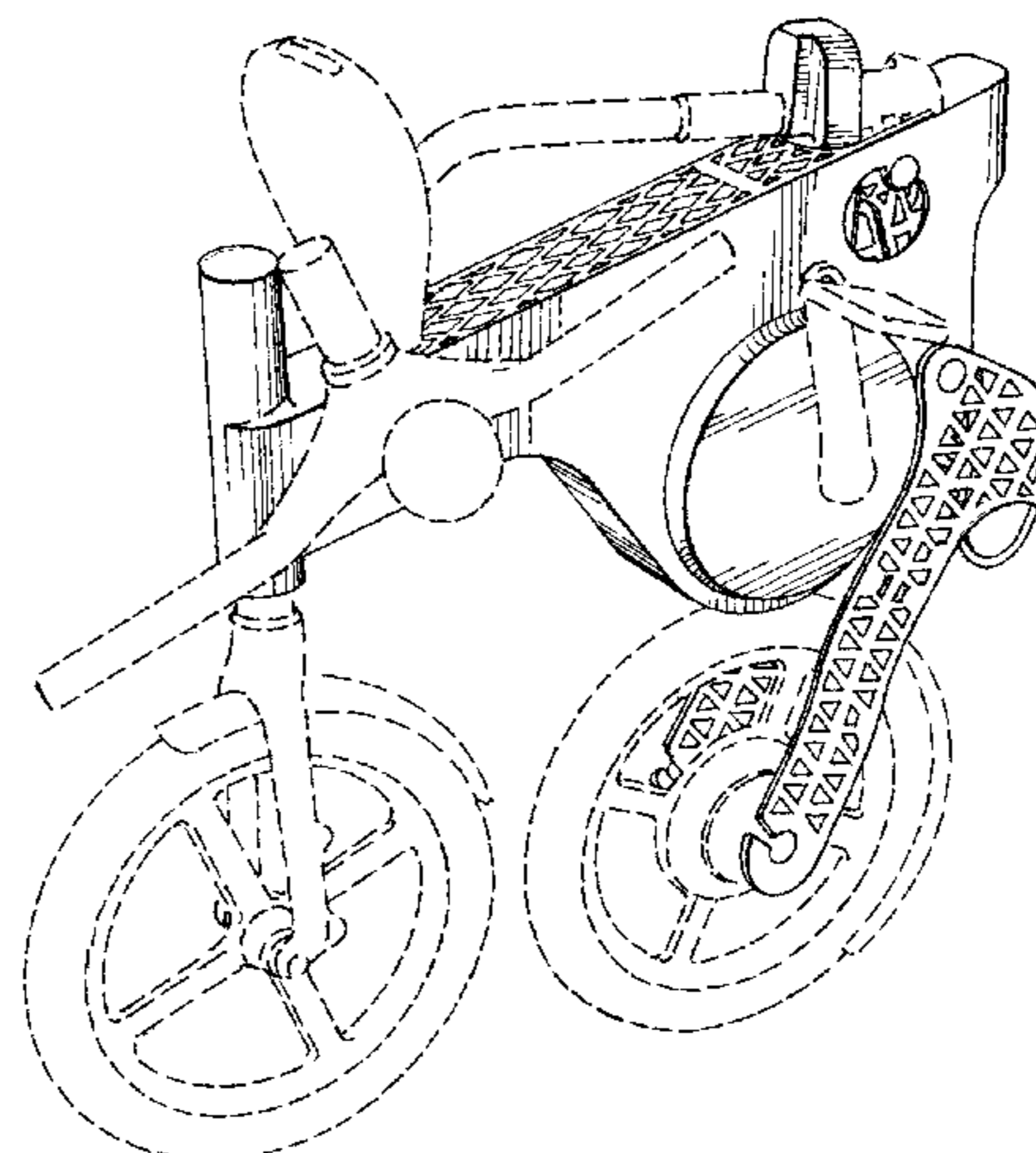
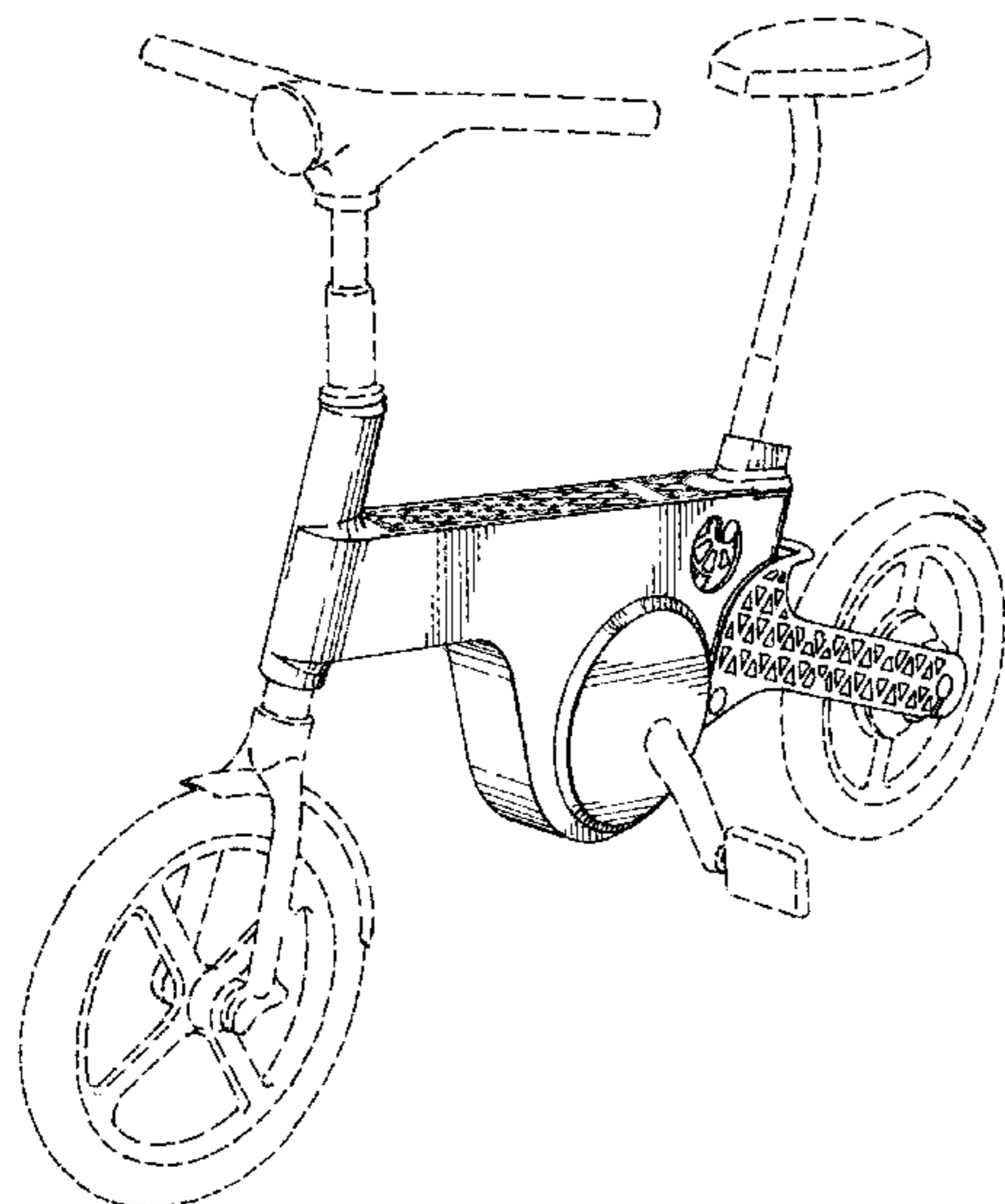
1.6 is a right side elevation view thereof;

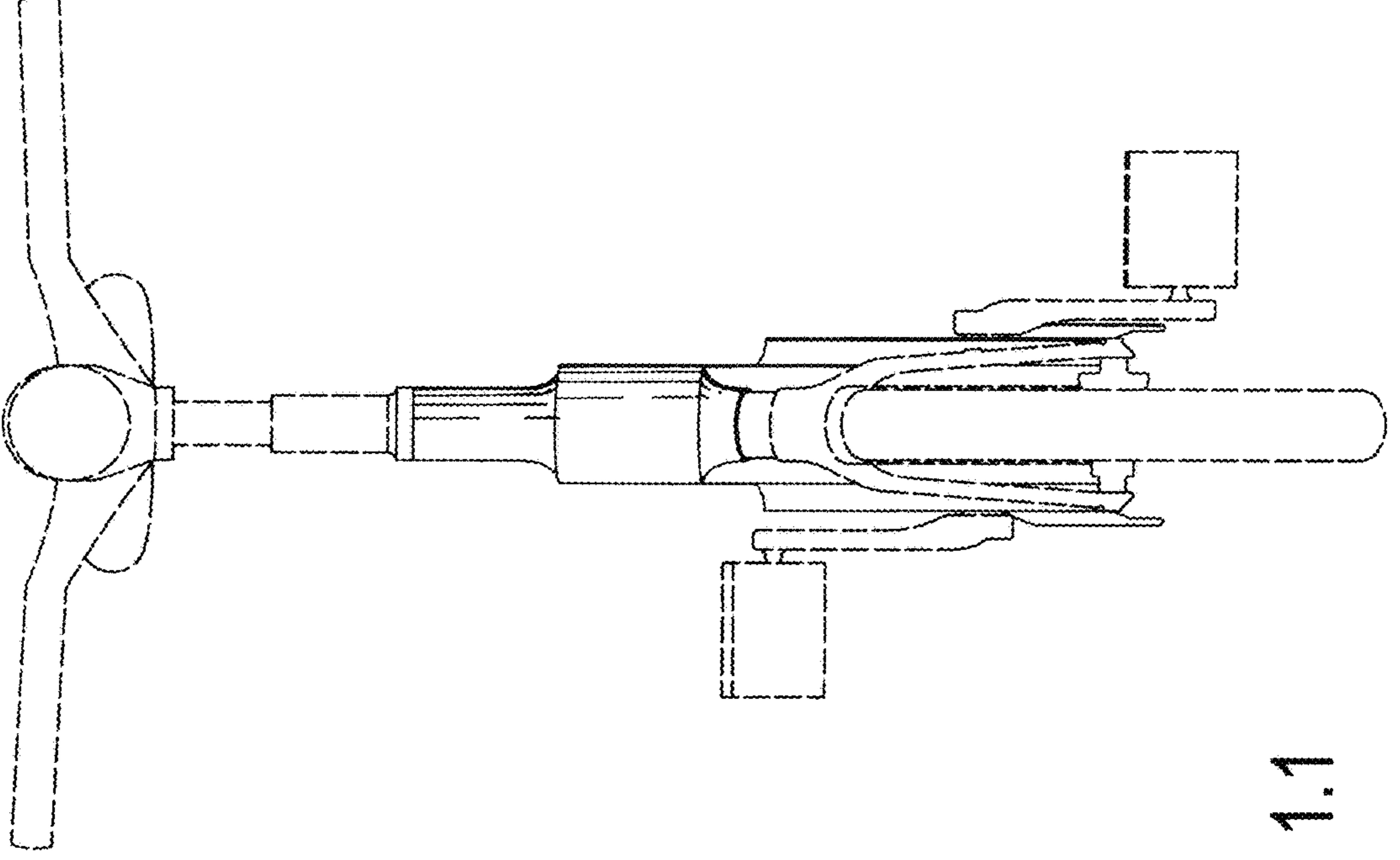
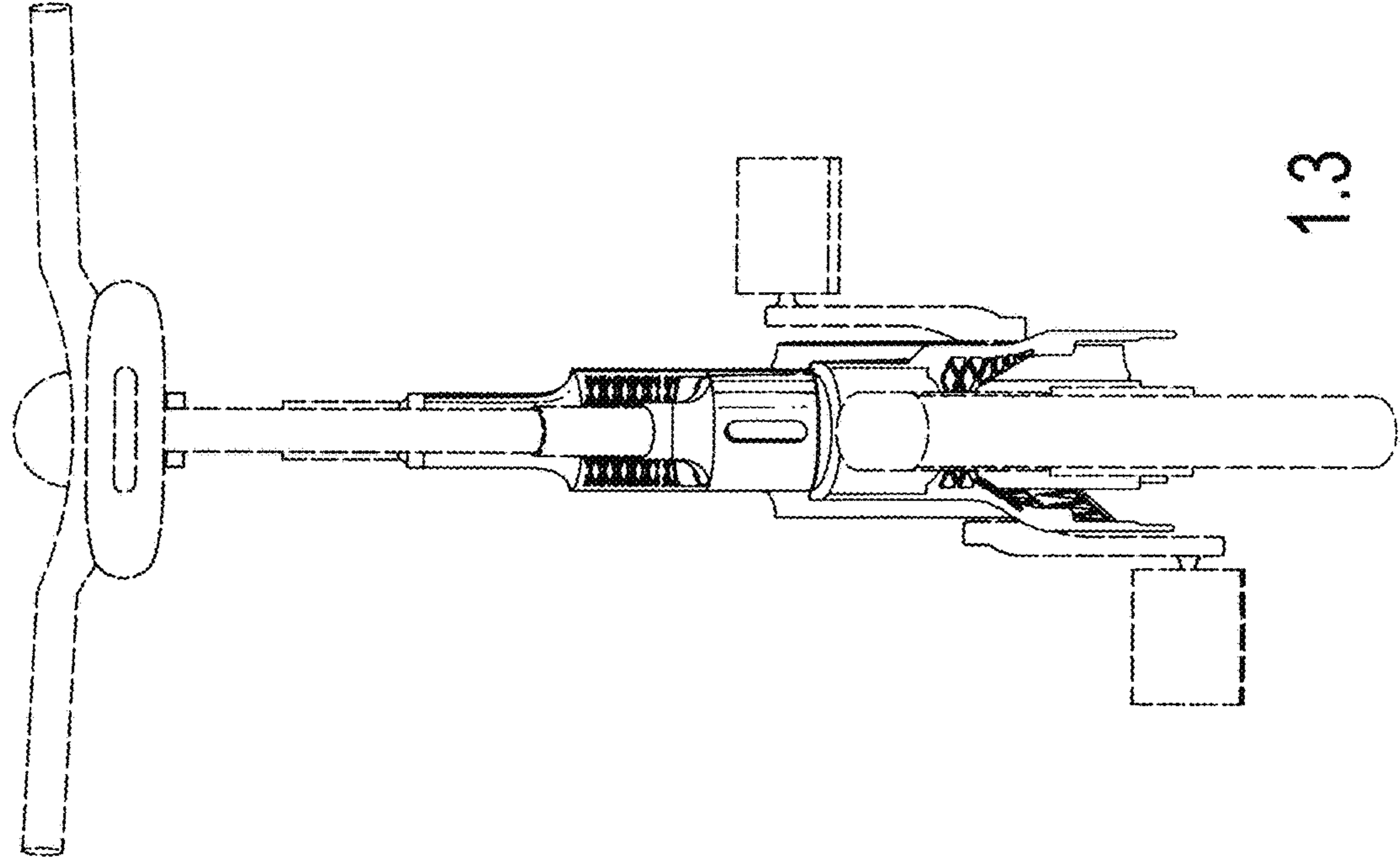
1.7 is a top, front, and left side perspective view thereof; and

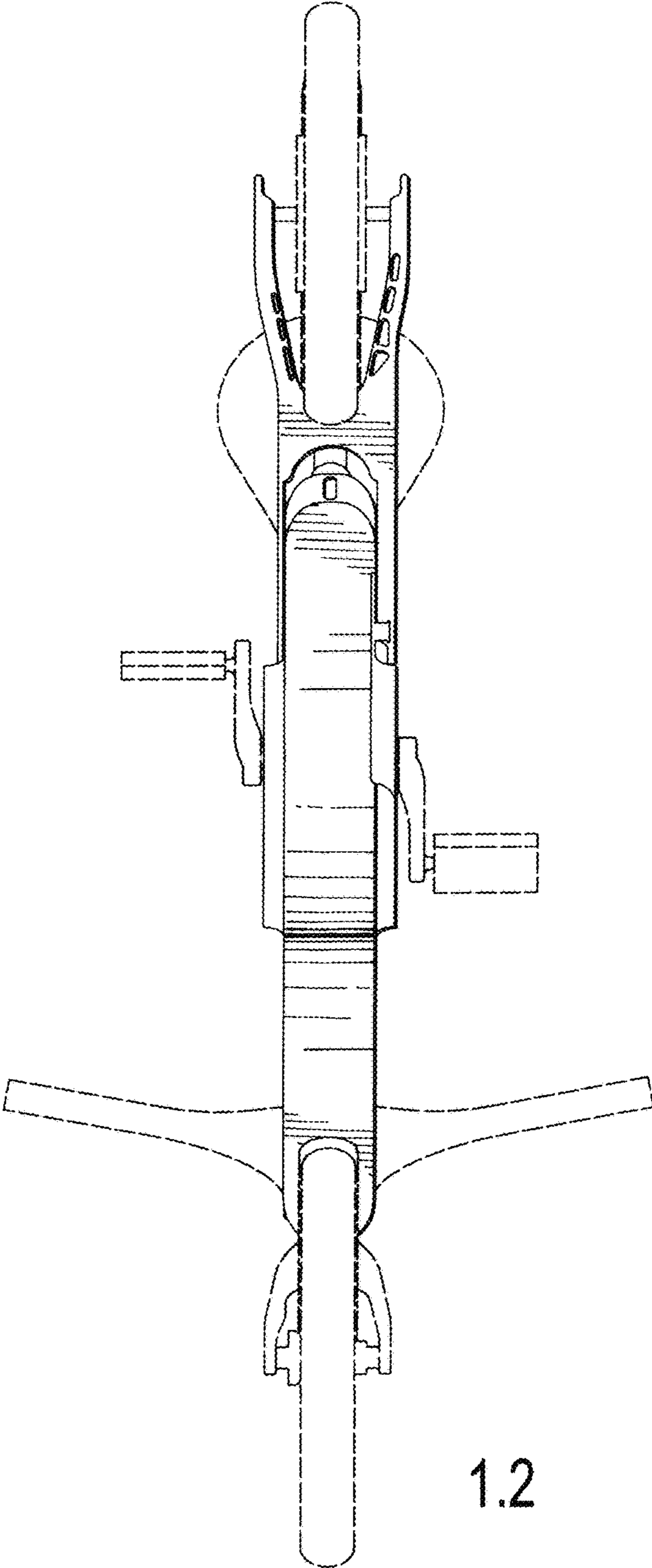
1.8 is a top, front, and left side perspective view thereof in a folded state.

Portions of the bicycle shown in broken lines form no part of the claimed design.

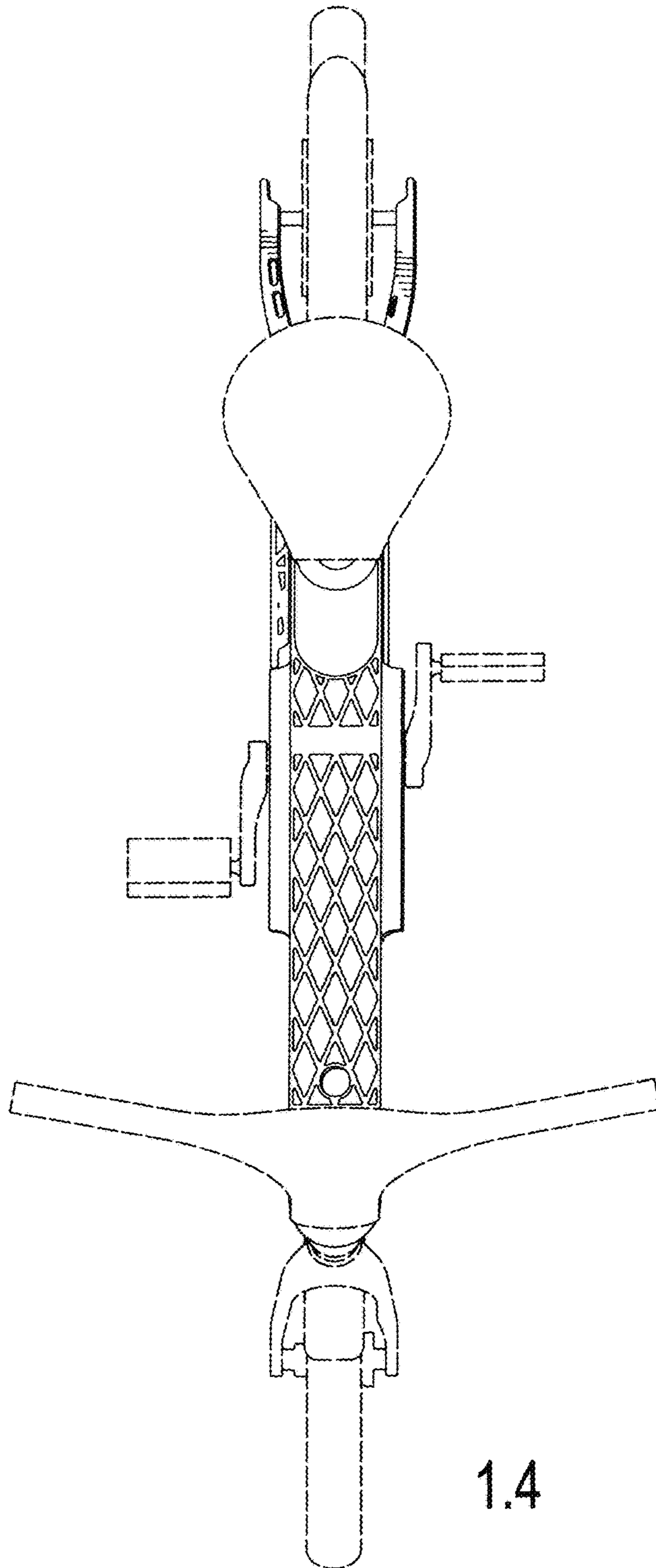
1 Claim, 7 Drawing Sheets



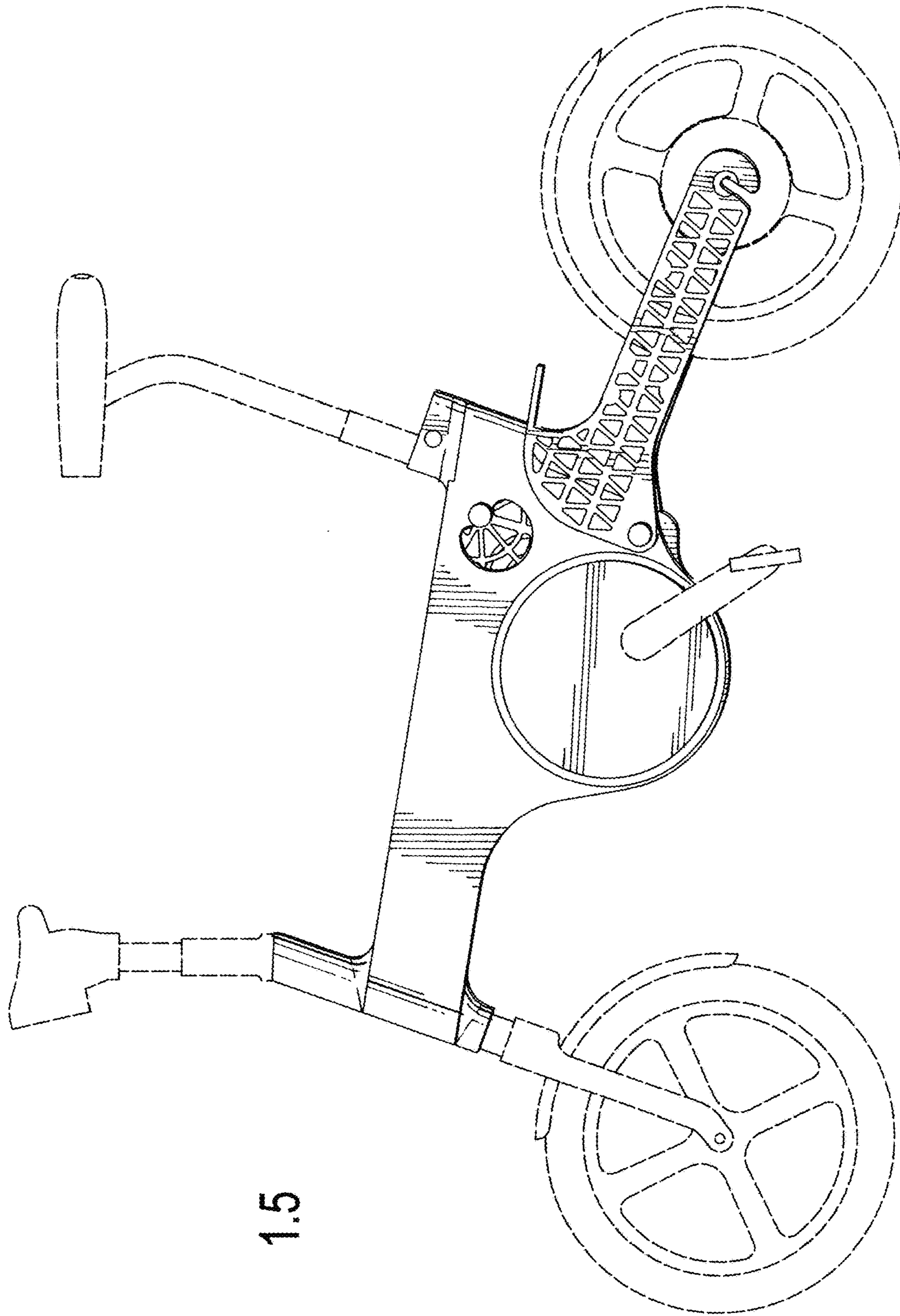




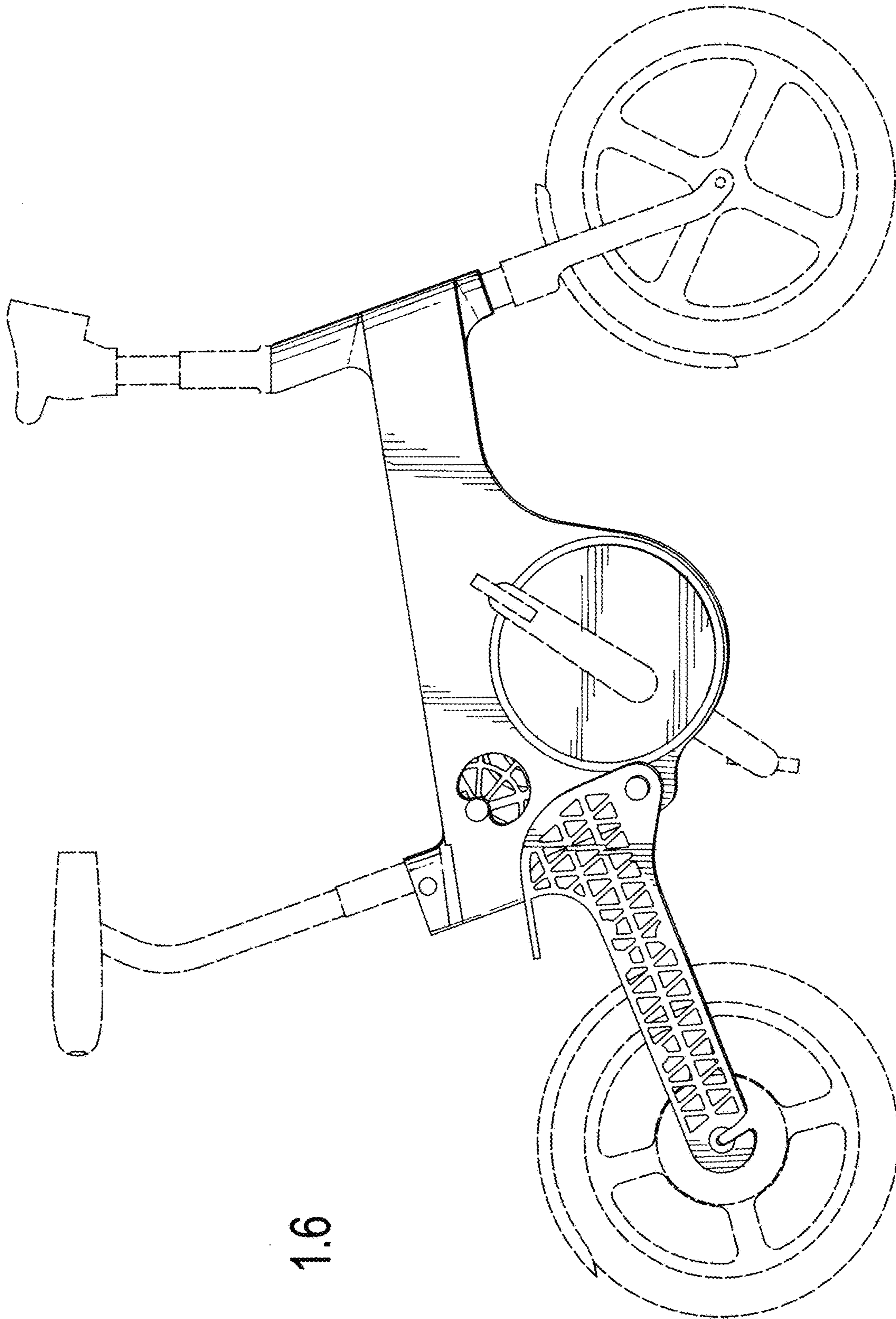
1.2

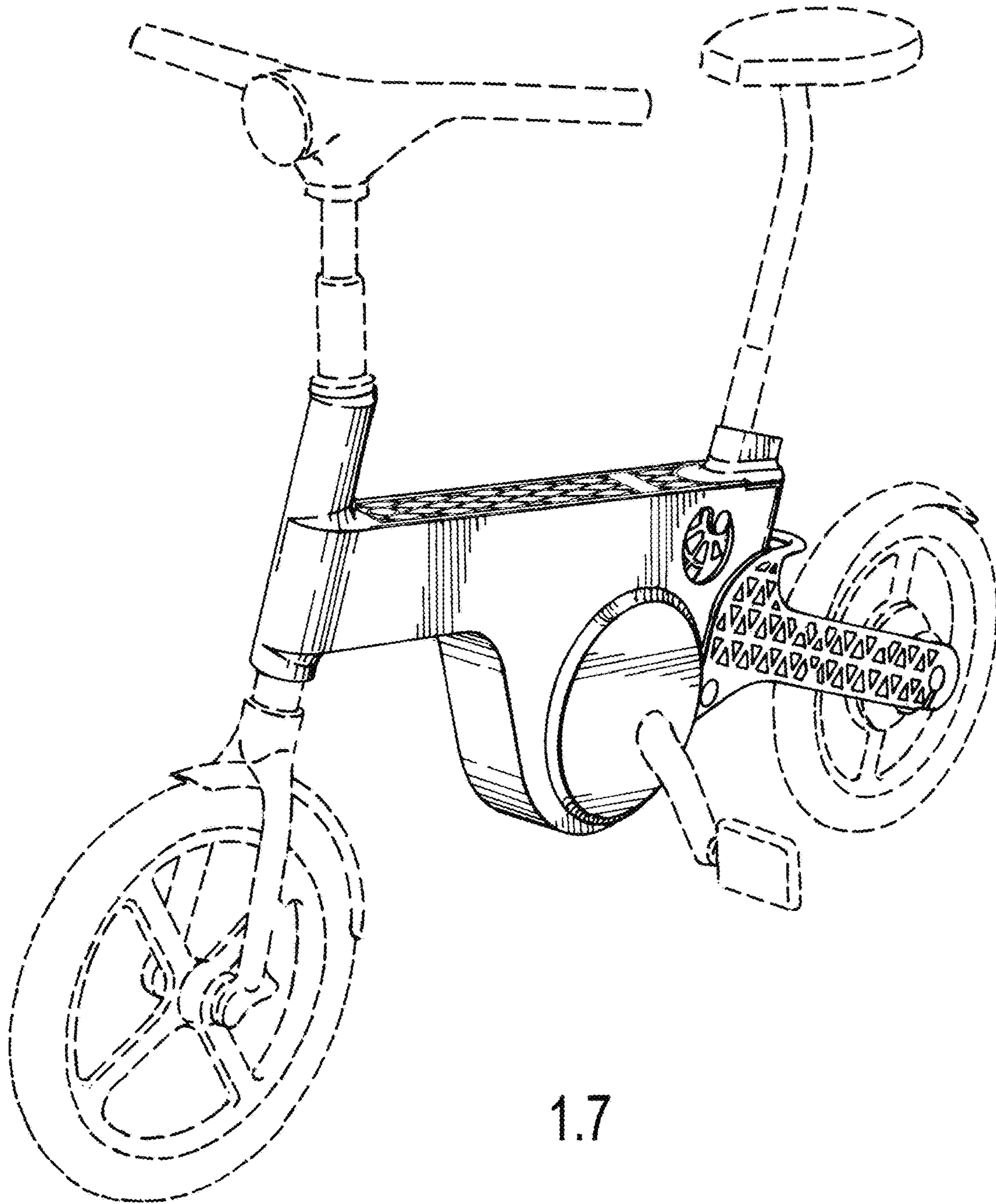


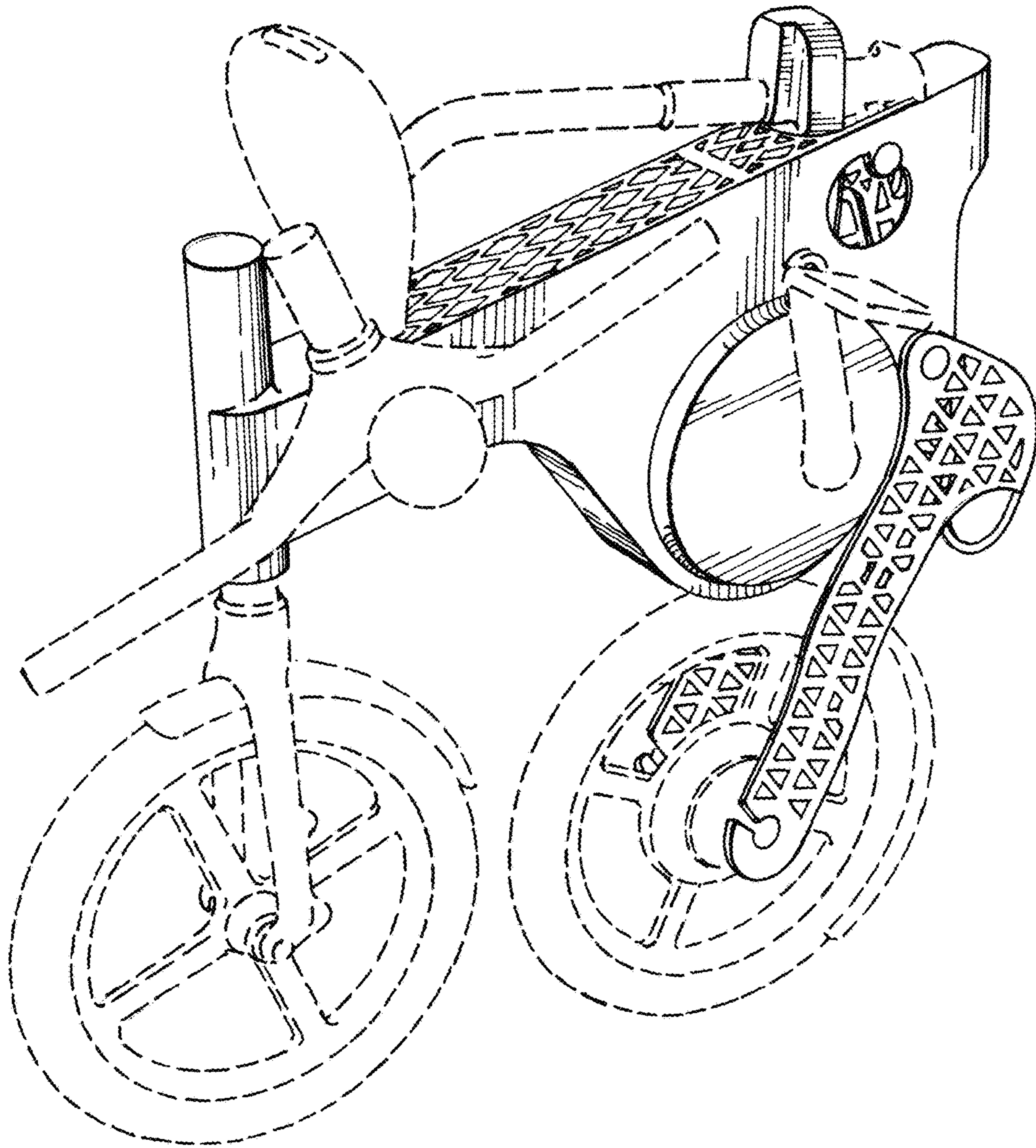
1.4



1.5







1.8