



US00D864036S

(12) **United States Design Patent**
Hill et al.

(10) **Patent No.:** **US D864,036 S**

(45) **Date of Patent:** **** Oct. 22, 2019**

(54) **CAMPER TRAILER WITH SIDE AND REAR ANNEXE**

(71) Applicant: **Opus RV Pty Ltd**, Braeside Vic (AU)

(72) Inventors: **Malcolm Hill**, Braeside (AU);
Jonathan Harrison, Ipswich (GB); **Ben Hawkins**, Colchester (GB); **Jason Dodd**, Braeside (AU); **Ben Liu**, Braeside (AU)

(73) Assignee: **Opus RV Pty Ltd**, Braeside, Victoria (AU)

(**) Term: **15 Years**

(21) Appl. No.: **29/636,603**

(22) Filed: **Feb. 9, 2018**

(30) **Foreign Application Priority Data**

Aug. 15, 2017 (AU) 201714812

(51) **LOC (12) Cl.** **12-16**

(52) **U.S. Cl.**
USPC **D12/103**

(58) **Field of Classification Search**
USPC D12/100–106, 19, 129, 111–112;
D21/425, 435; D34/21–26, 12, 16–19
CPC .. B62D 35/00; B62D 33/077; B62D 33/0612;
B62D 24/04; B60P 3/10; B60P 3/1033;
B60P 3/0257; B60P 3/38; B60P 3/34;
E01F 15/14

See application file for complete search history.

(56) **References Cited**

U.S. PATENT DOCUMENTS

D220,176 S 3/1971 Lambert
D273,378 S * 4/1984 Prusak D12/13

4,657,299 A 4/1987 Mahan
5,205,089 A 4/1993 Cunningham
D392,921 S * 3/1998 McCloud D12/103
6,067,676 A 5/2000 Carnahan et al.
D436,893 S * 1/2001 Kastner D12/13
D449,797 S * 10/2001 Gerzeny D12/103
D503,143 S 3/2005 Napieraj
6,905,162 B2 6/2005 Lester et al.
D515,975 S * 2/2006 Gunby D12/103
D516,497 S 3/2006 Napieraj
D531,549 S * 11/2006 Gunby D12/103
D542,185 S * 5/2007 Remington D12/103
D566,623 S * 4/2008 Dempsey D12/103
D617,685 S * 6/2010 Rodabaugh D12/103
D707,591 S * 6/2014 Sands D12/103
D777,344 S 1/2017 Hill
D833,915 S * 11/2018 Tatro D12/103

* cited by examiner

Primary Examiner — Katrina A Betton

(74) *Attorney, Agent, or Firm* — Sand, Sebolt & Wernow Co., LPA

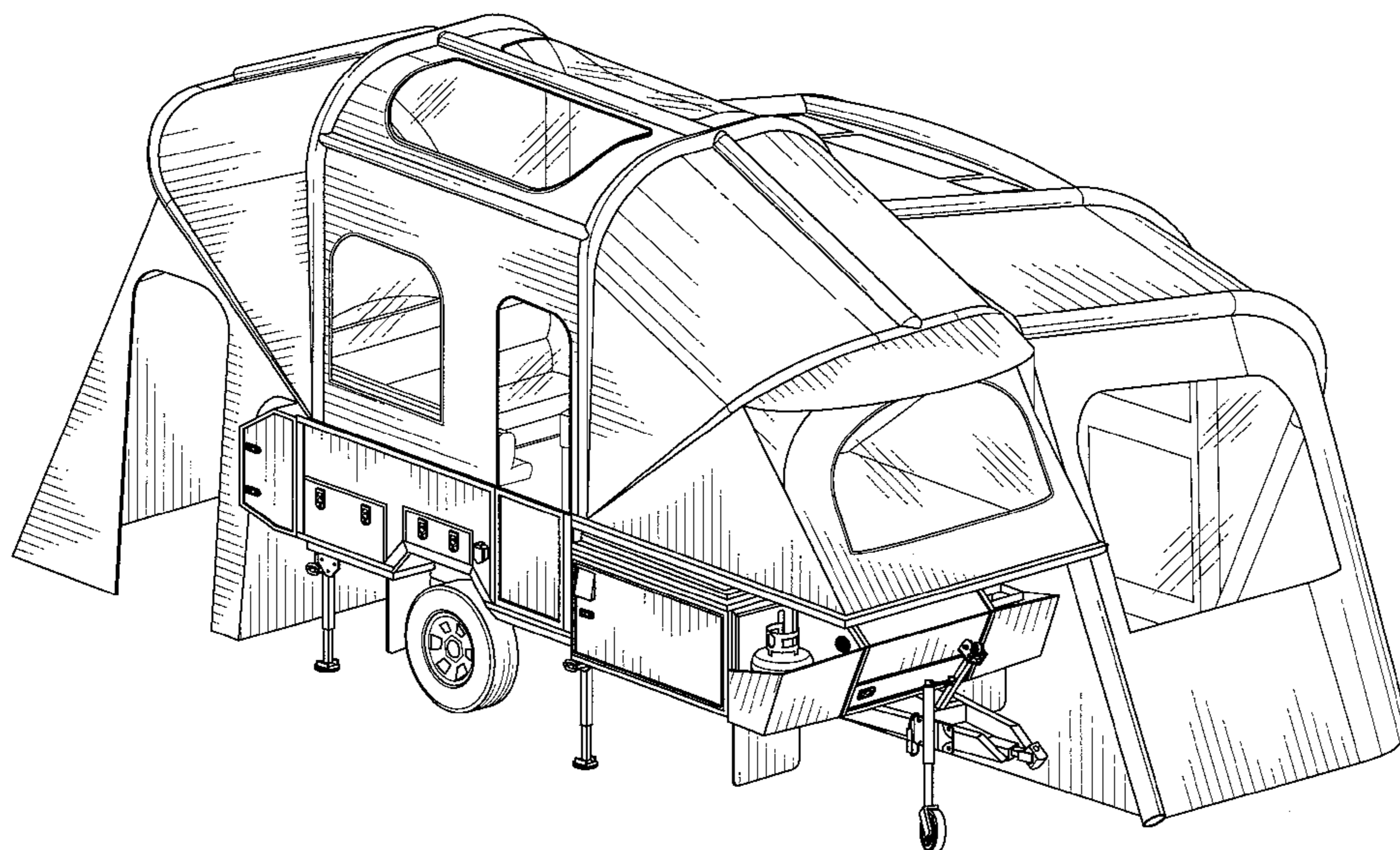
(57) **CLAIM**

The ornamental design for a camper trailer with side and rear annexe, as shown.

DESCRIPTION

FIG. 1 is a top, front, right side perspective view of a camper trailer with side and rear annexe in accordance with our design;
FIG. 2 is a top, rear, left side perspective view thereof;
FIG. 3 is a right side elevation view thereof;
FIG. 4 is a left side elevation view thereof;
FIG. 5 is a front elevation view thereof;
FIG. 6 is a rear elevation view thereof;
FIG. 7 is a top plan view thereof; and,
FIG. 8 is a bottom plan view thereof.

1 Claim, 8 Drawing Sheets



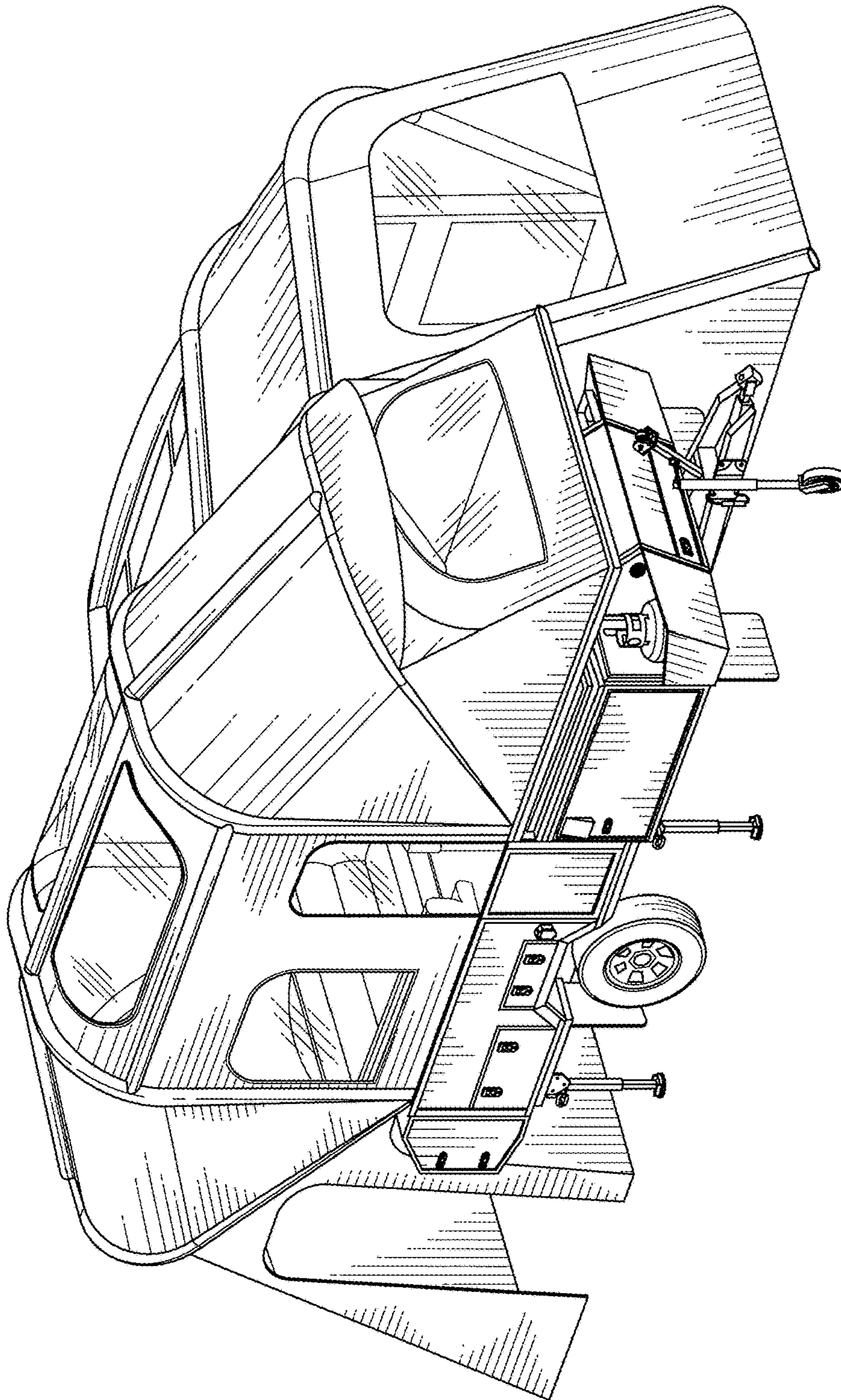


FIG. 1

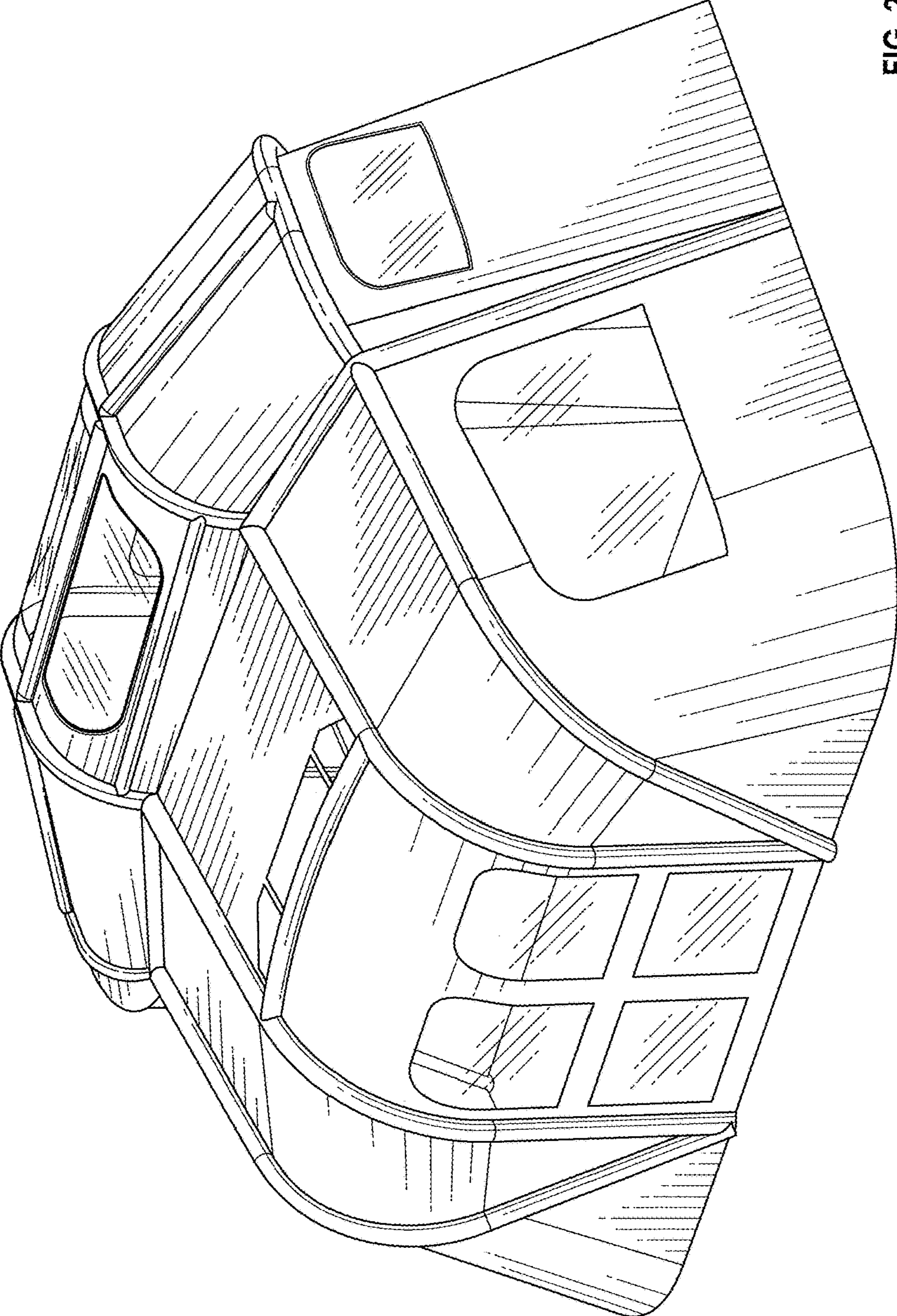


FIG. 2

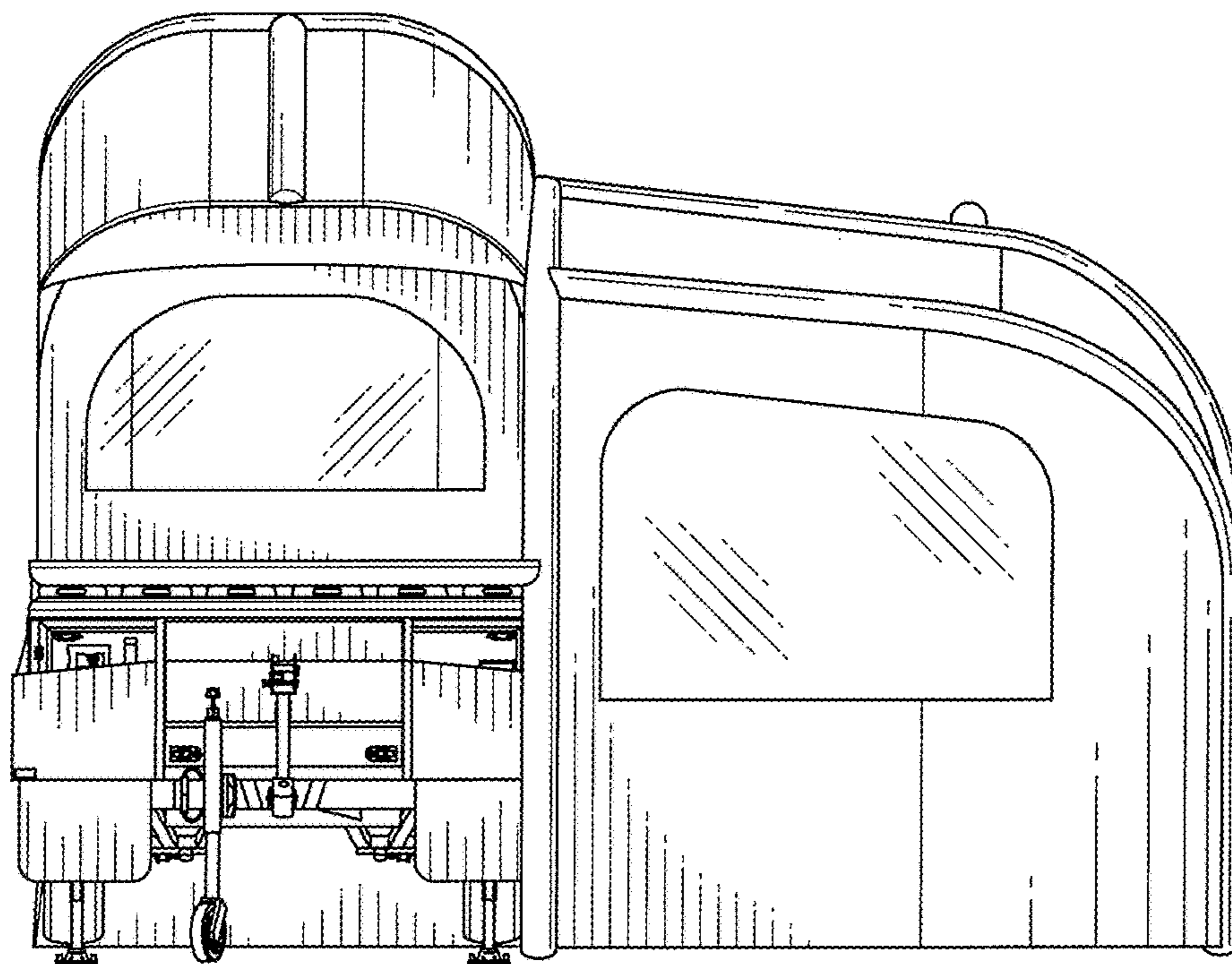


FIG. 3

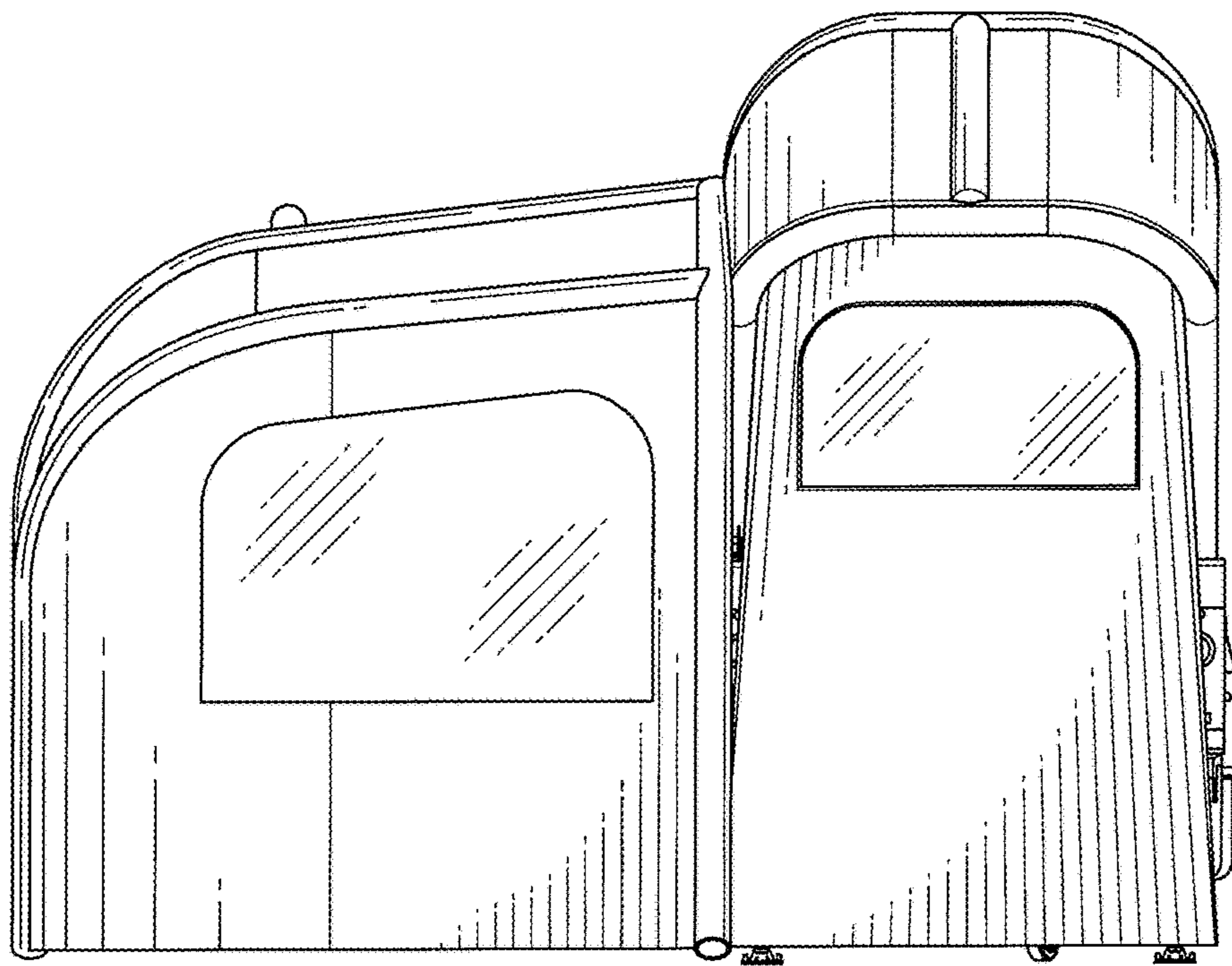


FIG. 4

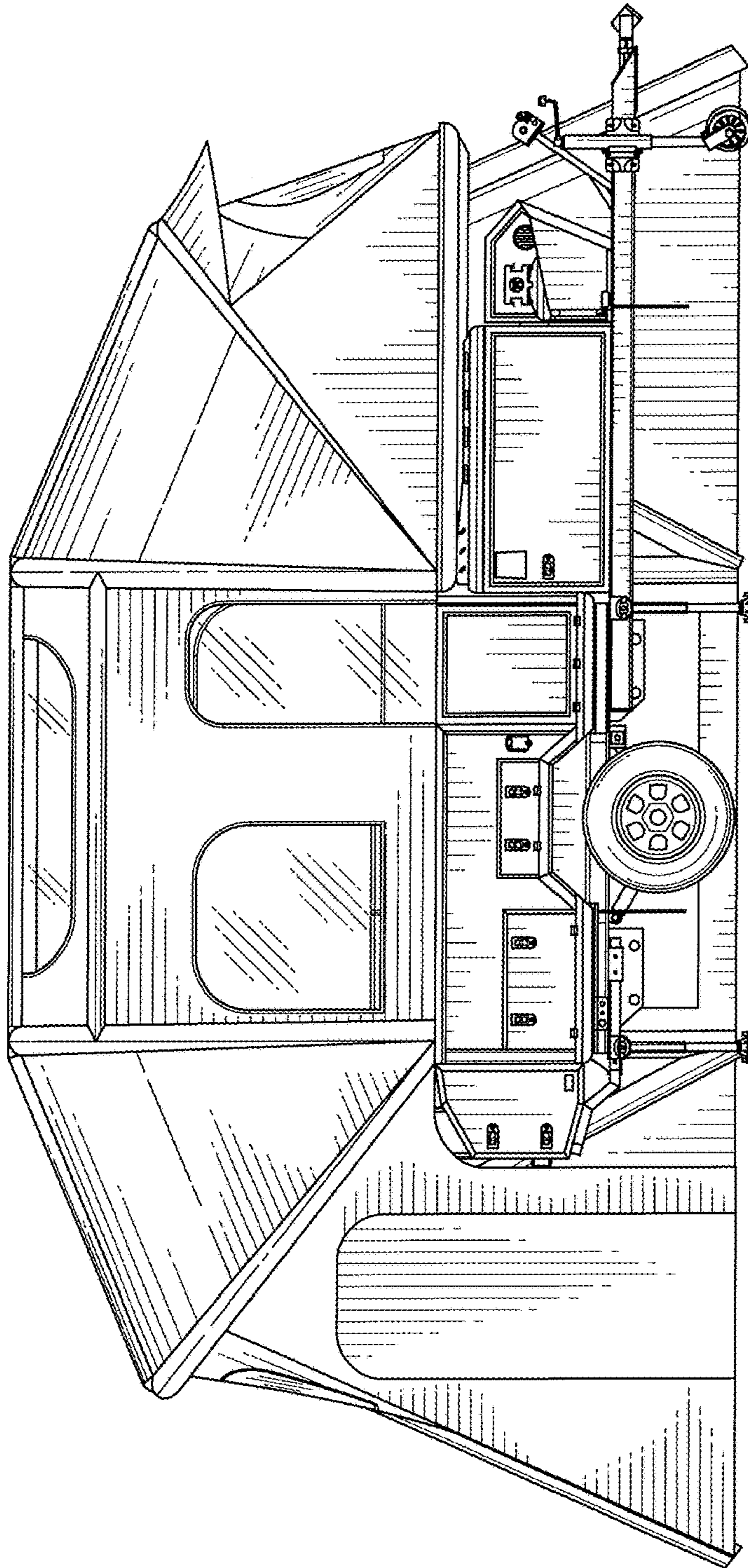


FIG. 5

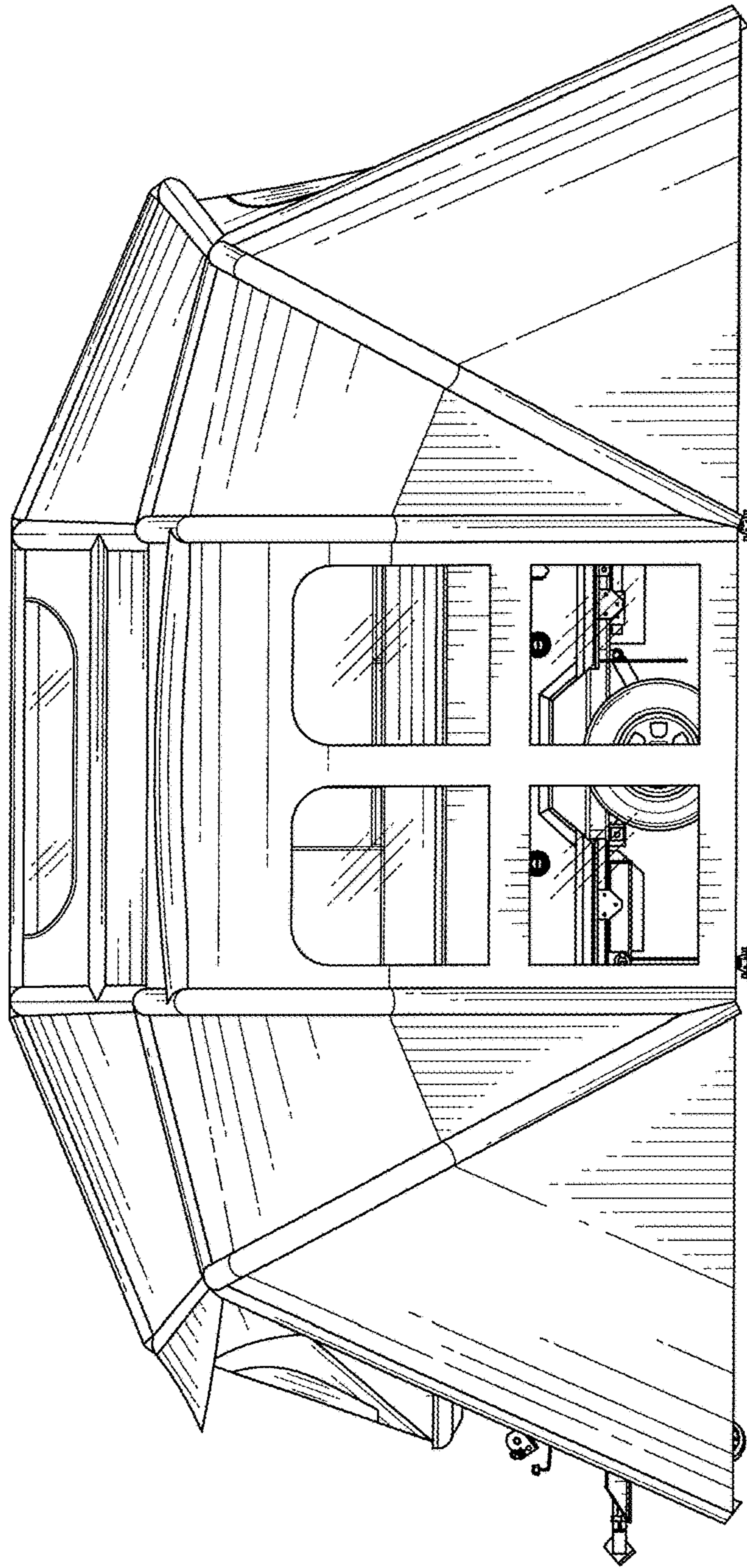


FIG. 6

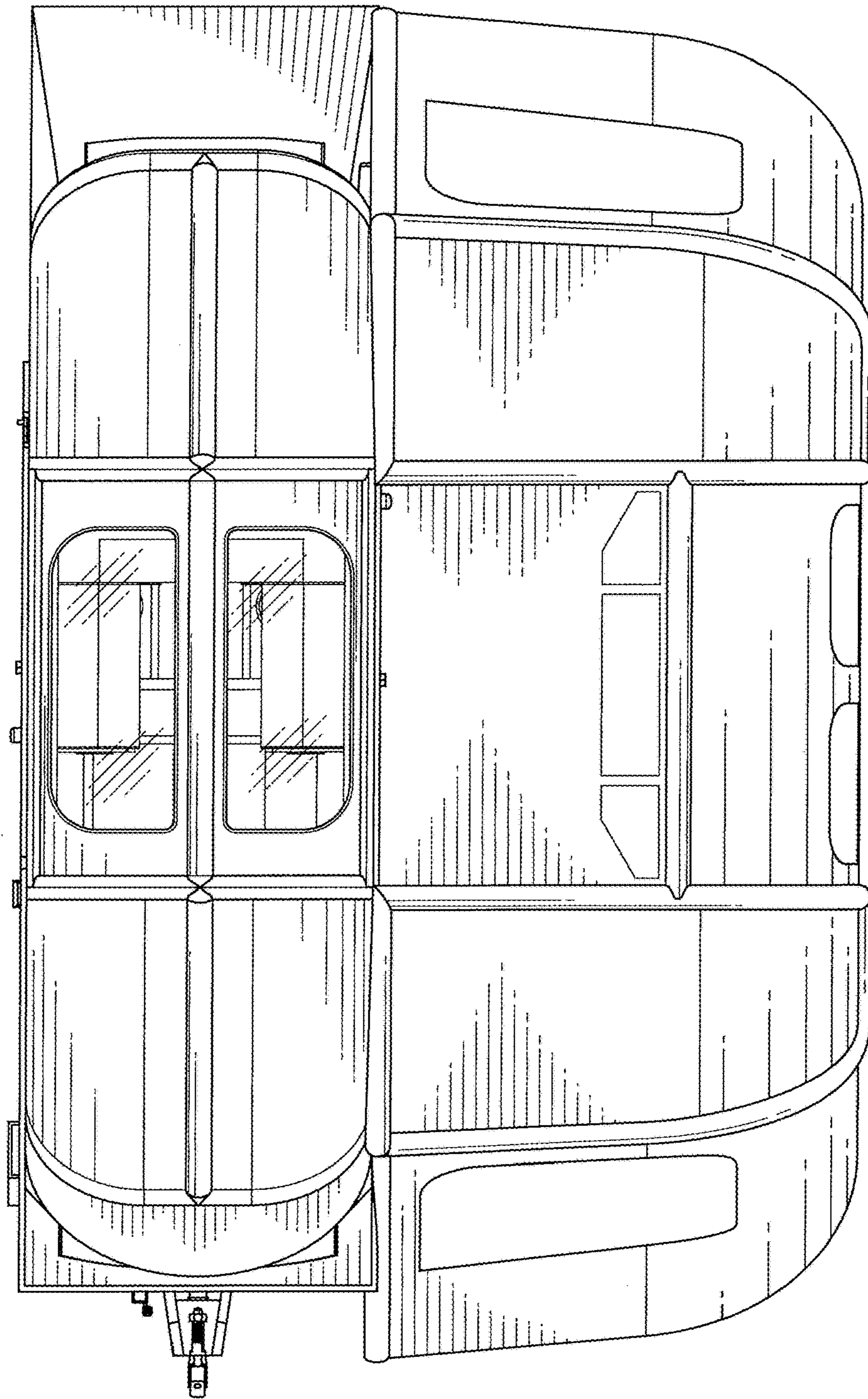


FIG. 7

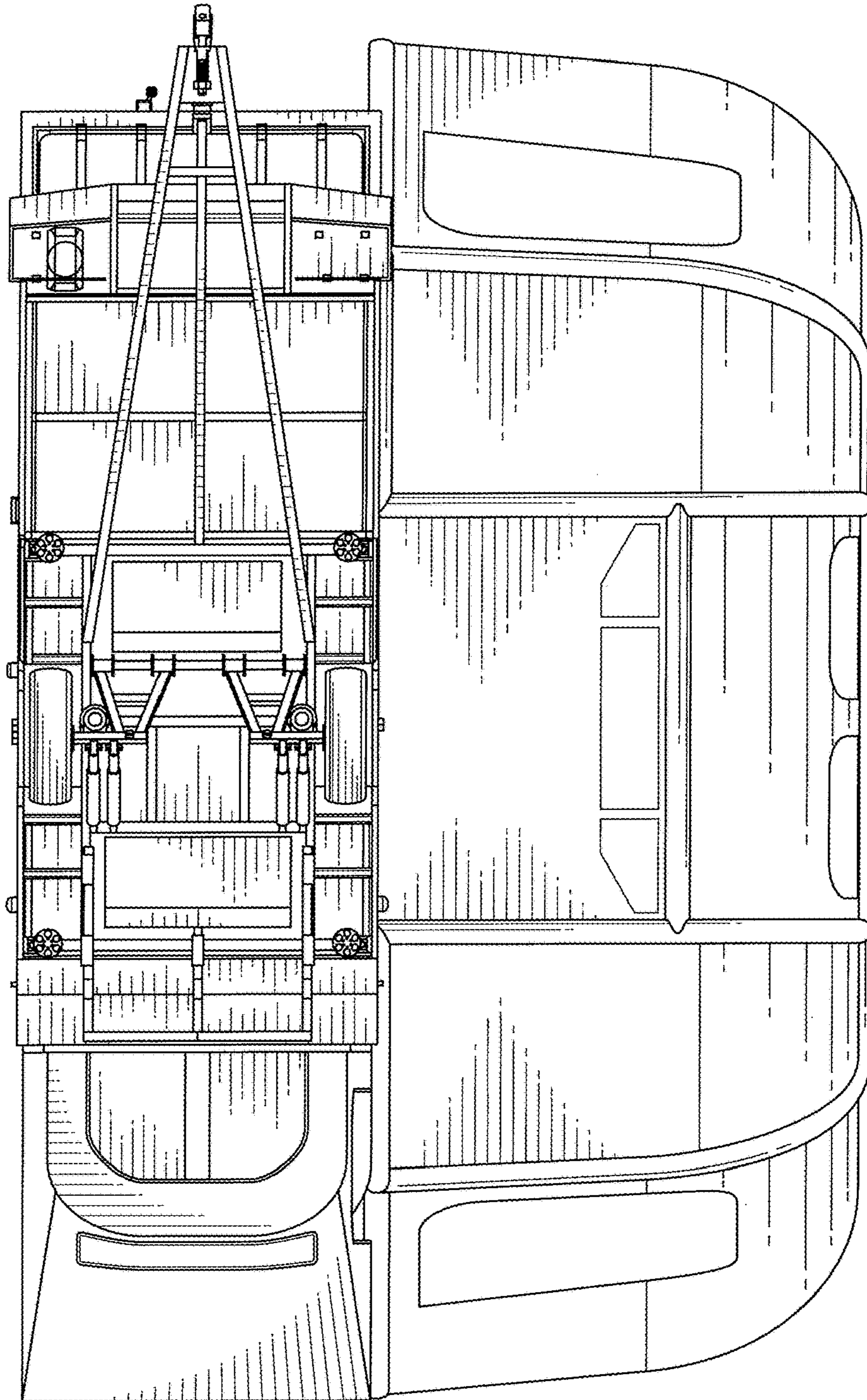


FIG. 8