

US00D864035S

(12) **United States Design Patent**
Hill et al.

(10) **Patent No.:** **US D864,035 S**
(45) **Date of Patent:** **** Oct. 22, 2019**

- (54) **CAMPER TRAILER WITH PARTIAL ANNEXE**
- (71) Applicant: **Opus RV Pty Ltd**, Braeside Vic (AU)
- (72) Inventors: **Malcolm Hill**, Braeside (AU); **Jonathan Harrison**, Ipswich (GB); **Ben Hawkins**, Colchester (GB); **Jason Dodd**, Braeside (AU); **Ben Liu**, Braeside (AU)
- (73) Assignee: **Opus RV Pty Ltd**, Braeside, Victoria (AU)
- (**) Term: **15 Years**

4,657,299 A	4/1987	Mahan	
5,205,089 A	4/1993	Cunningham	
D392,921 S *	3/1998	McCloud	D12/103
6,067,676 A	5/2000	Carnahan et al.	
D436,893 S *	1/2001	Kastner	D12/13
D449,797 S *	10/2001	Gerzeny	D12/103
D503,143 S	3/2005	Napieraj	
6,905,162 B2	6/2005	Lester et al.	
D515,975 S *	2/2006	Gunby	D12/103
D516,497 S	3/2006	Napieraj	
D531,549 S *	11/2006	Gunby	D12/103
D542,185 S *	5/2007	Remington	D12/103
D566,623 S *	4/2008	Dempsey	D12/103
D617,685 S *	6/2010	Rodabaugh	D12/103
D707,591 S *	6/2014	Sands	D12/103
D777,344 S	1/2017	Hill	
D833,915 S *	11/2018	Tatro	D12/103

* cited by examiner

- (21) Appl. No.: **29/636,599**
- (22) Filed: **Feb. 9, 2018**
- (30) **Foreign Application Priority Data**

Primary Examiner — Katrina A Betton
(74) *Attorney, Agent, or Firm* — Sand, Sebolt & Wernow Co., LPA

- Aug. 15, 2017 (AU) 201714811
- (51) **LOC (12) Cl.** **12-16**
- (52) **U.S. Cl.**
USPC **D12/103**
- (58) **Field of Classification Search**
USPC D12/100–106, 19, 129, 111–112;
D21/425, 435; D34/21–26, 12, 16–19
CPC .. B62D 35/00; B62D 33/077; B62D 33/0612;
B62D 24/04; B60P 3/10; B60P 3/1033;
B60P 3/0257; B60P 3/38; B60P 3/34;
E01F 15/14
See application file for complete search history.

(57) **CLAIM**

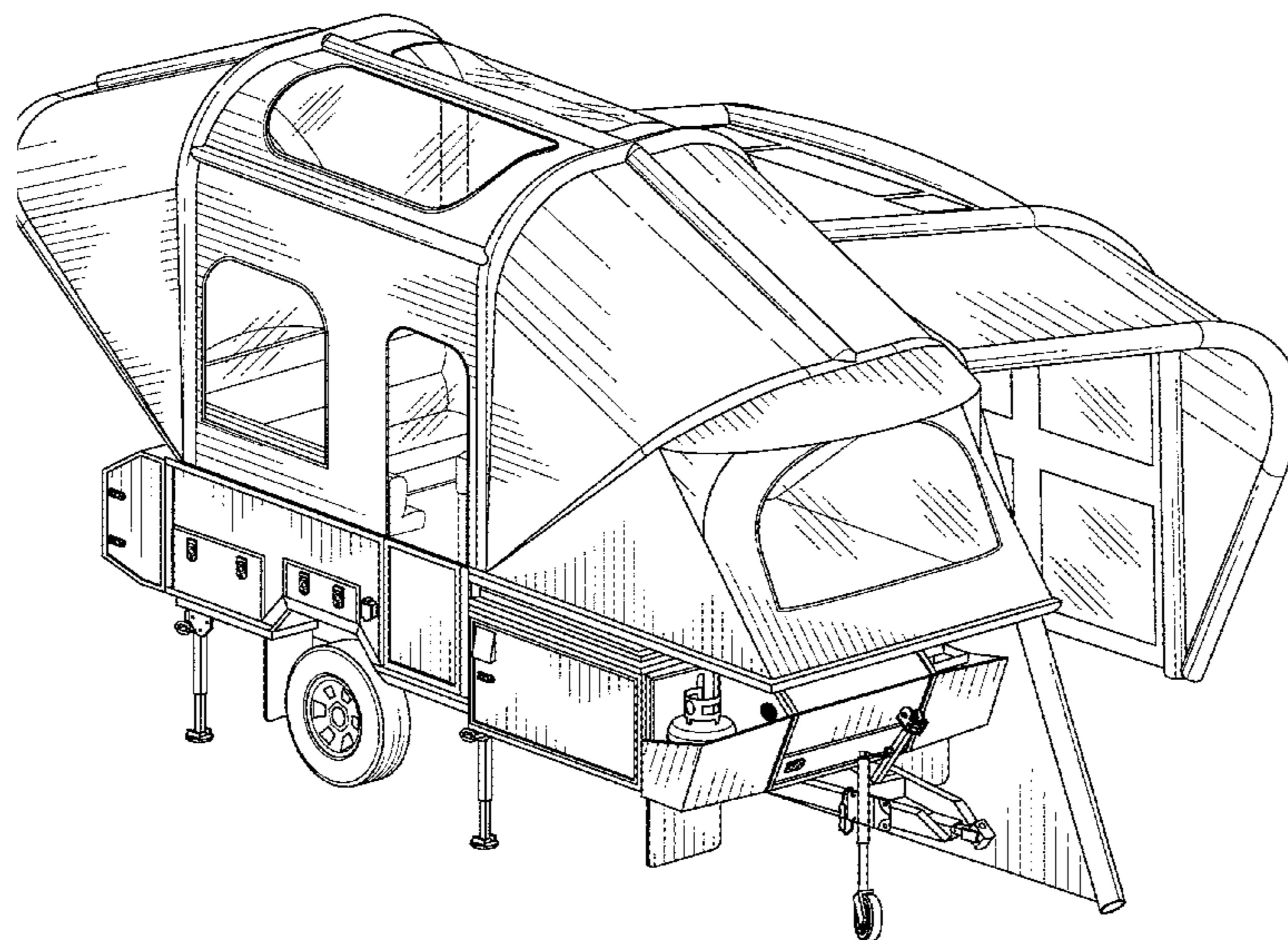
The ornamental design for a camper trailer with partial annexe, as shown.

DESCRIPTION

FIG. 1 is a top, front, right side perspective view of a camper trailer with partial annexe in accordance with our design; FIG. 2 is a top, rear, left side perspective view thereof; FIG. 3 is a right side elevation view thereof; FIG. 4 is a left side elevation view thereof; FIG. 5 is a front elevation view thereof; FIG. 6 is a rear elevation view thereof; FIG. 7 is a top plan view thereof; and, FIG. 8 is a bottom plan view thereof.

- (56) **References Cited**
U.S. PATENT DOCUMENTS
D220,176 S 3/1971 Lambert
D273,378 S * 4/1984 Prusak D12/13

1 Claim, 8 Drawing Sheets



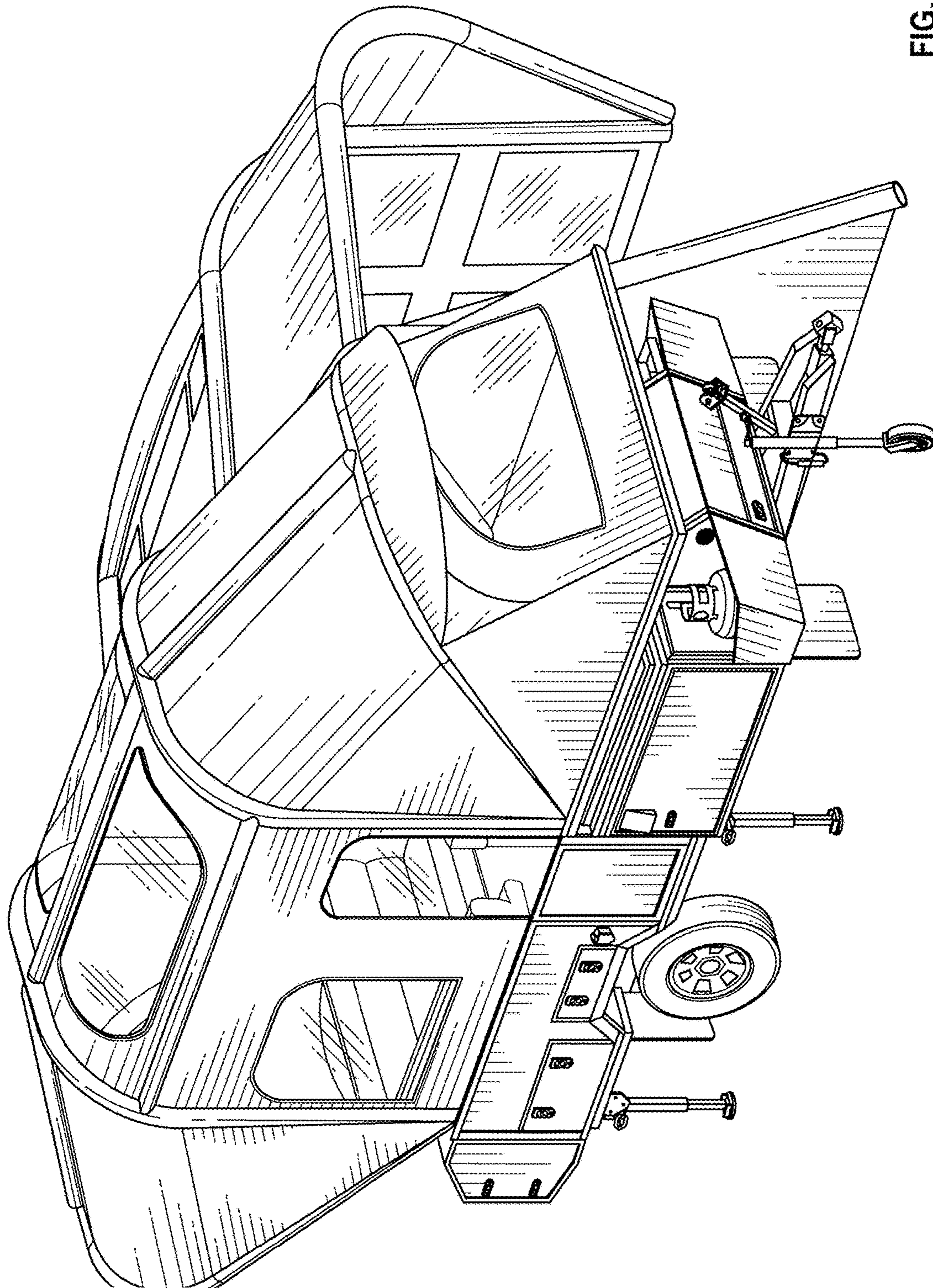


FIG. 1

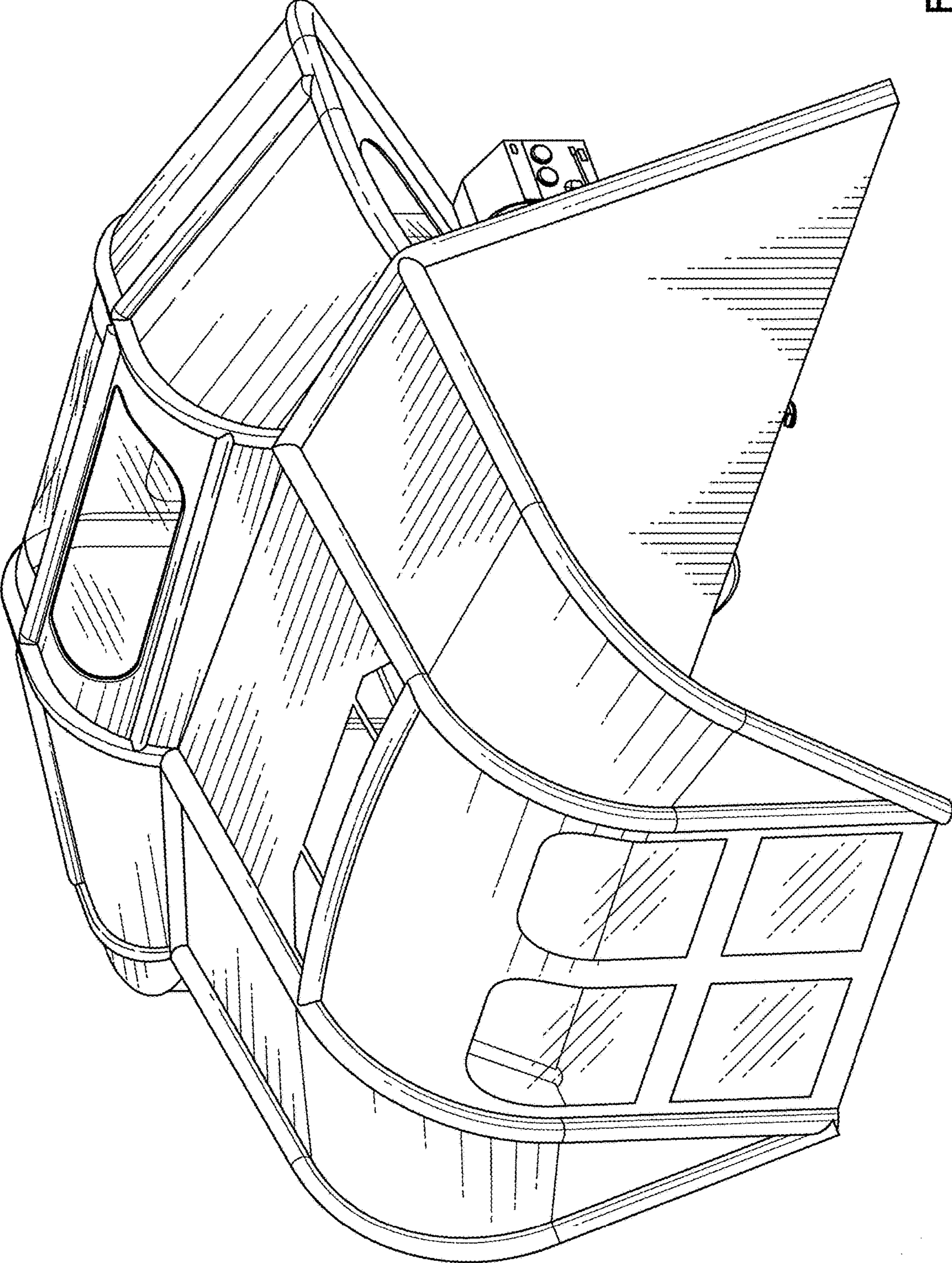


FIG. 2

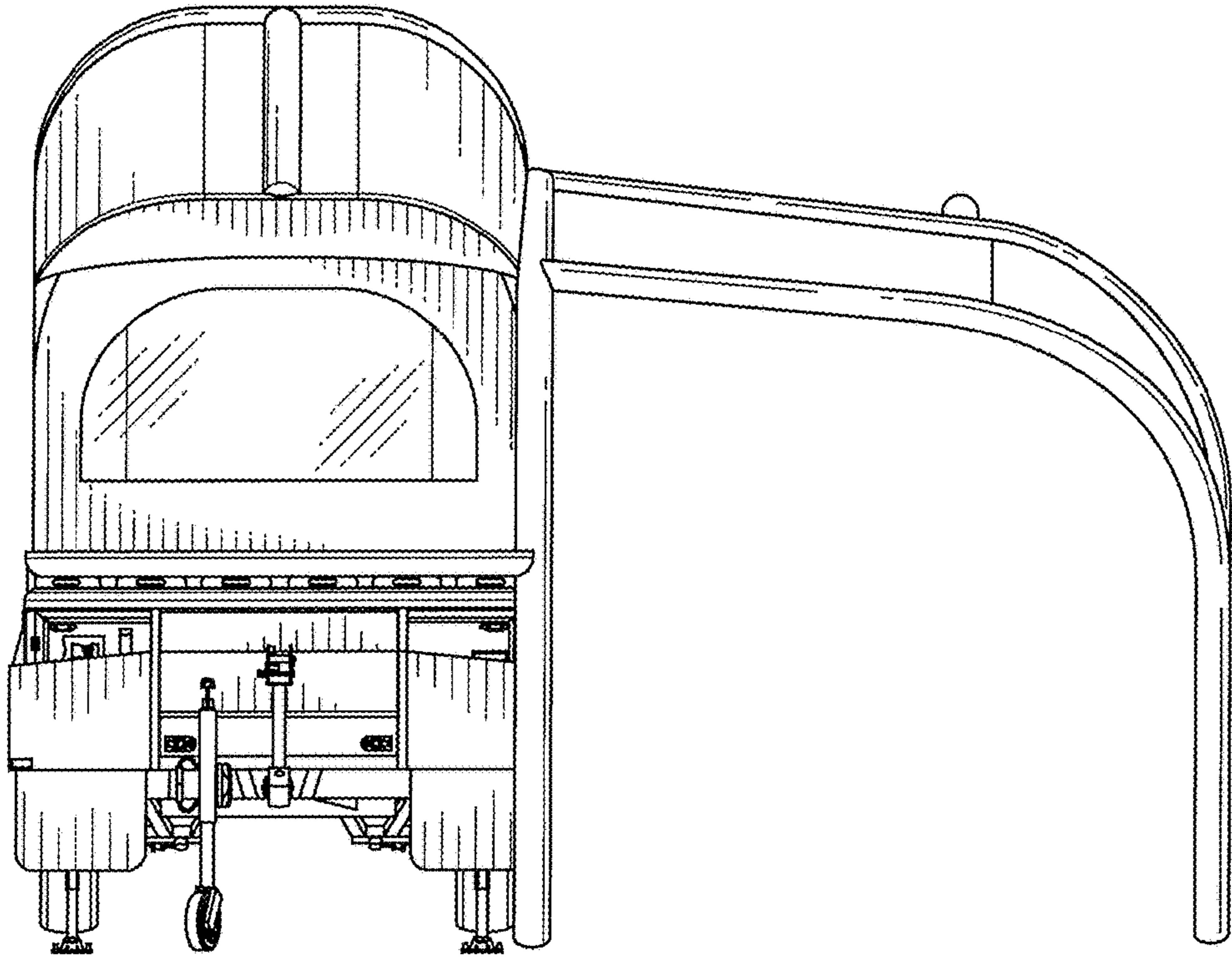


FIG. 3

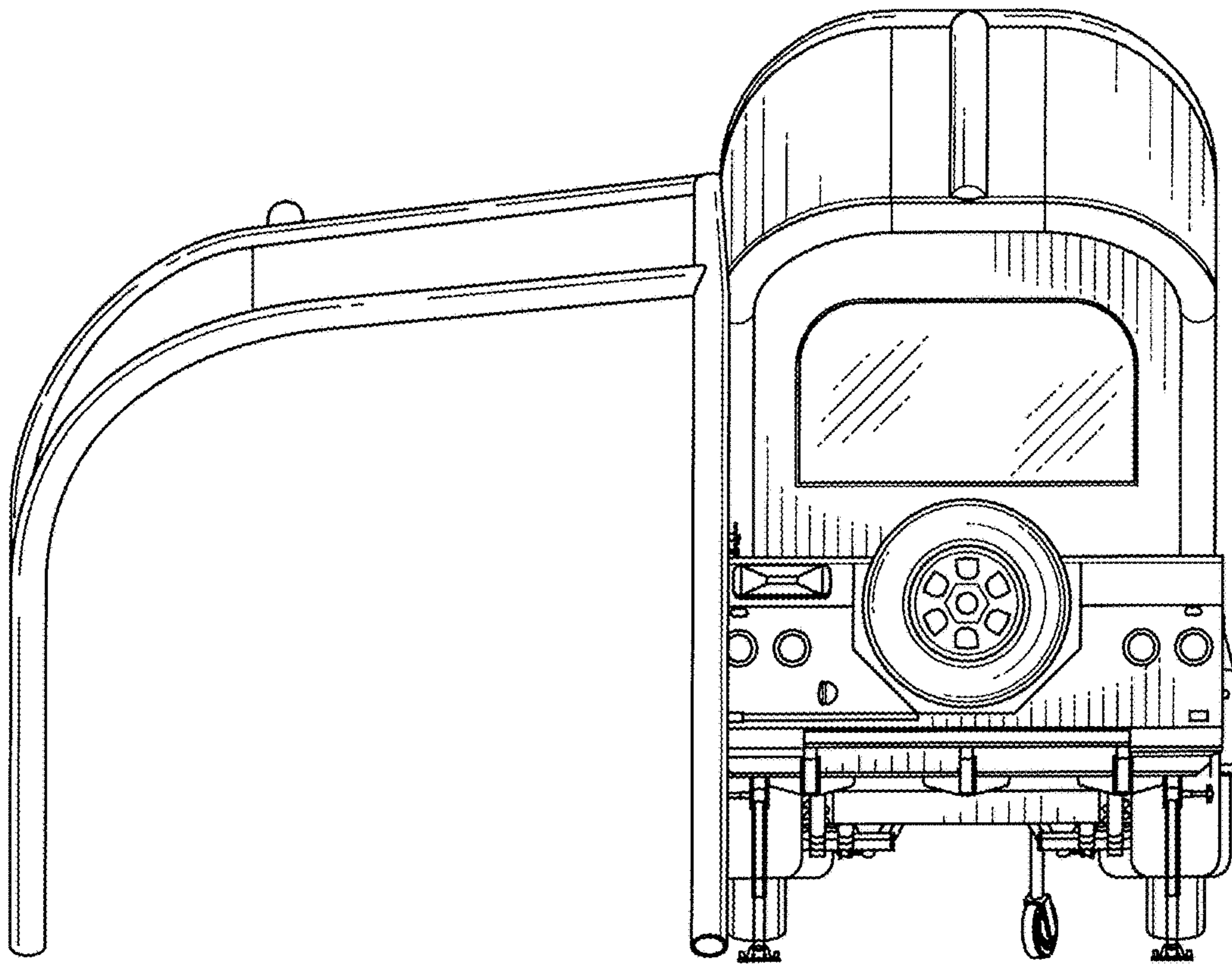


FIG. 4

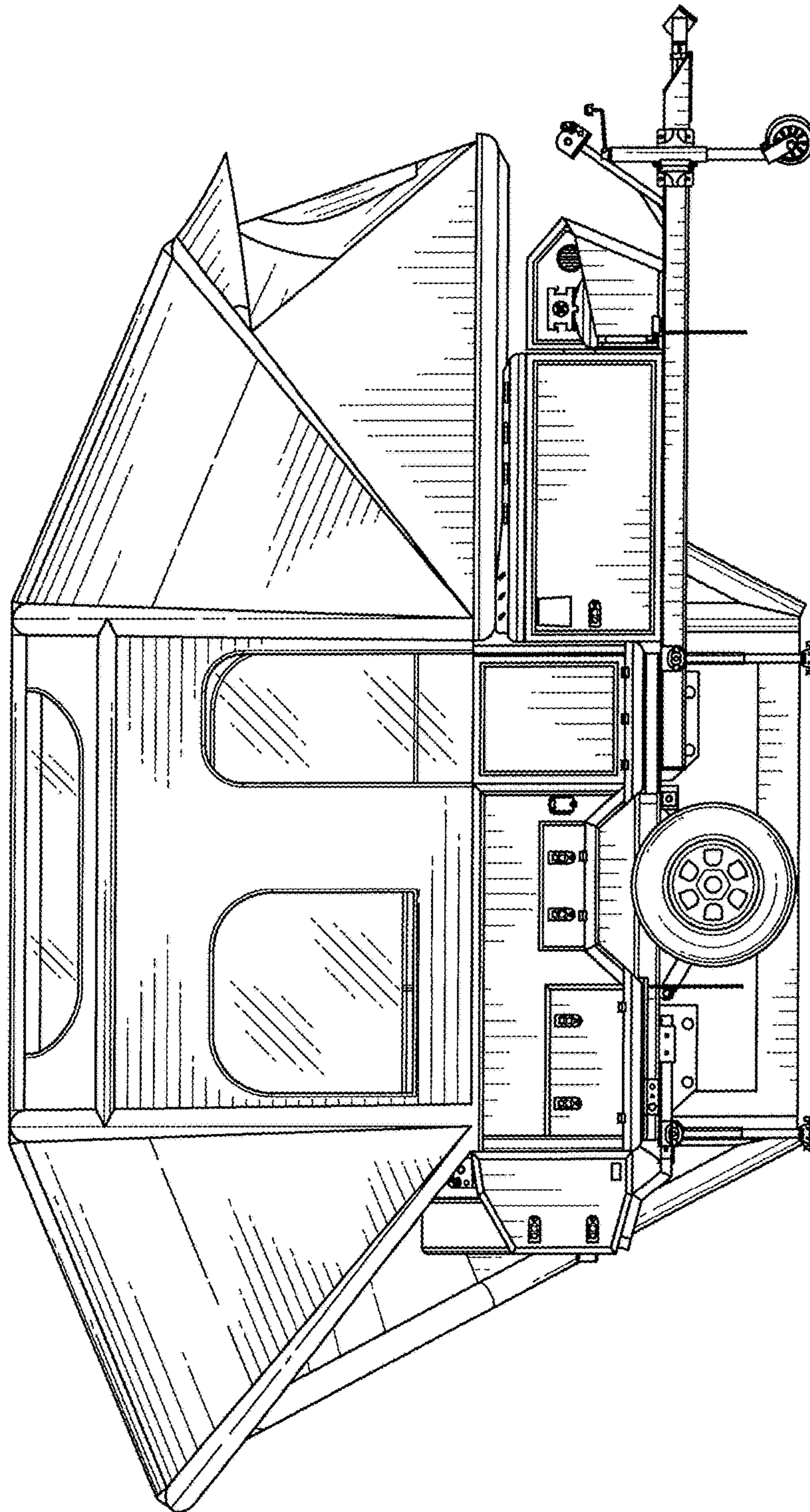


FIG. 5

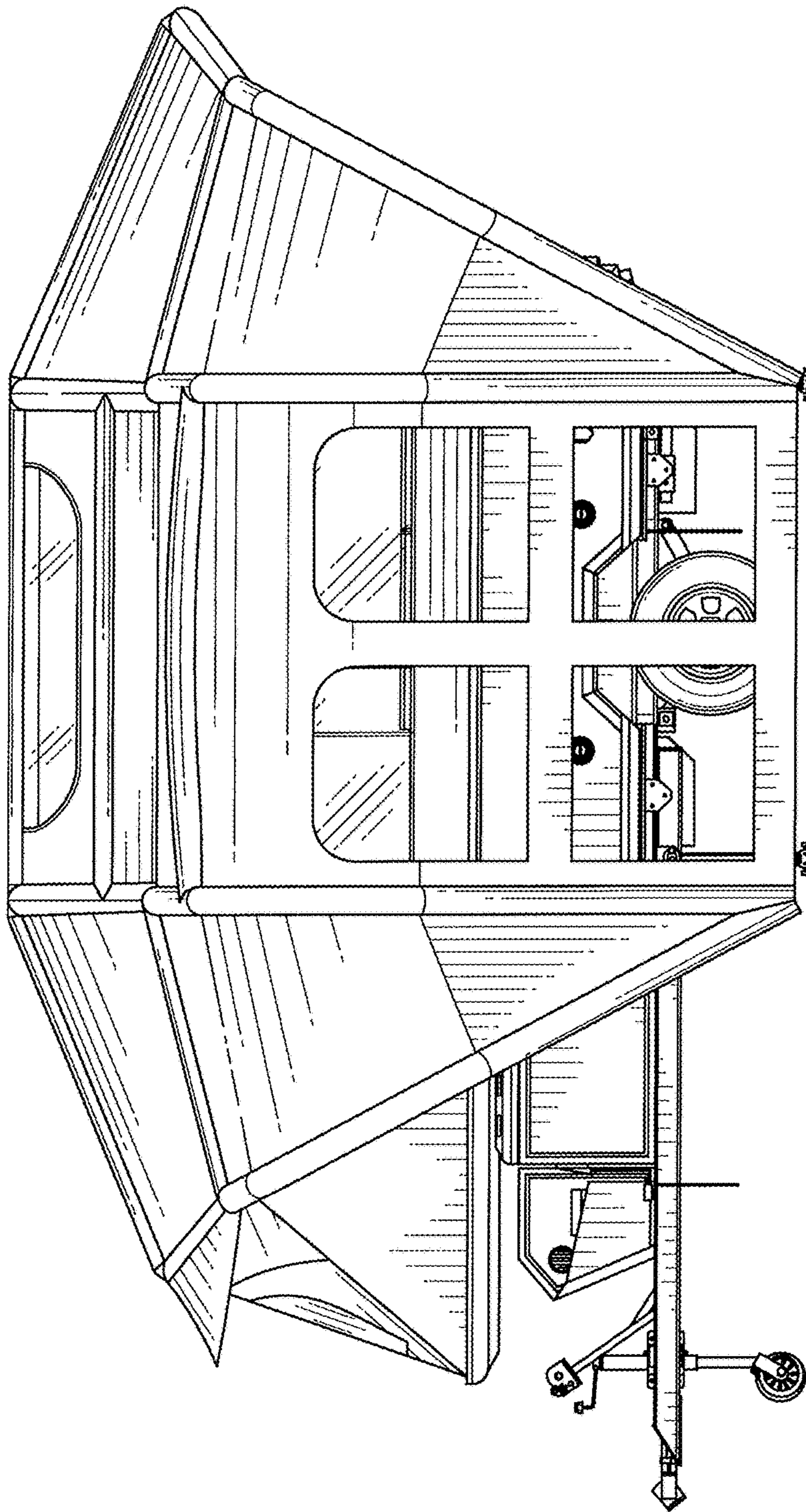


FIG. 6

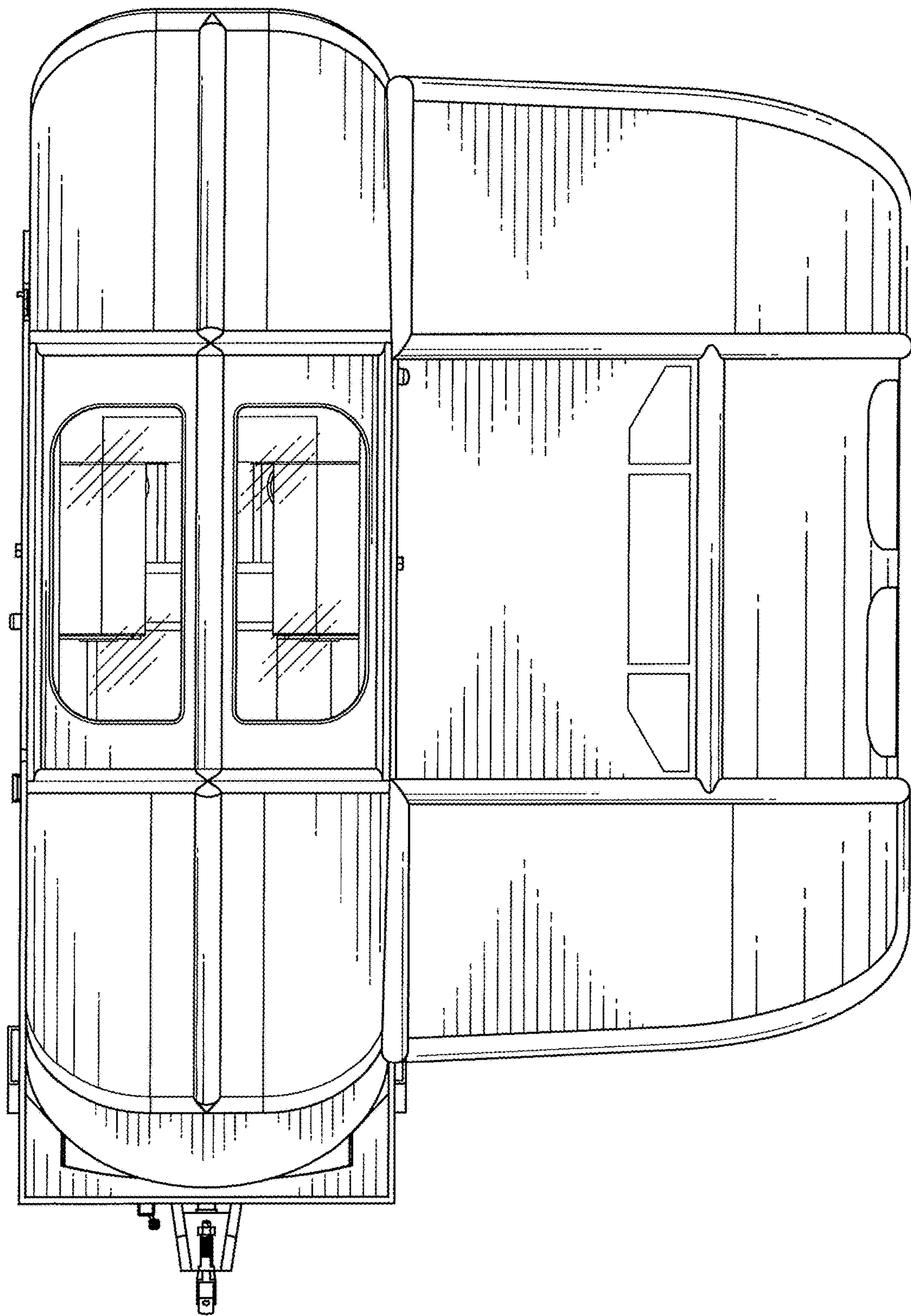


FIG. 7

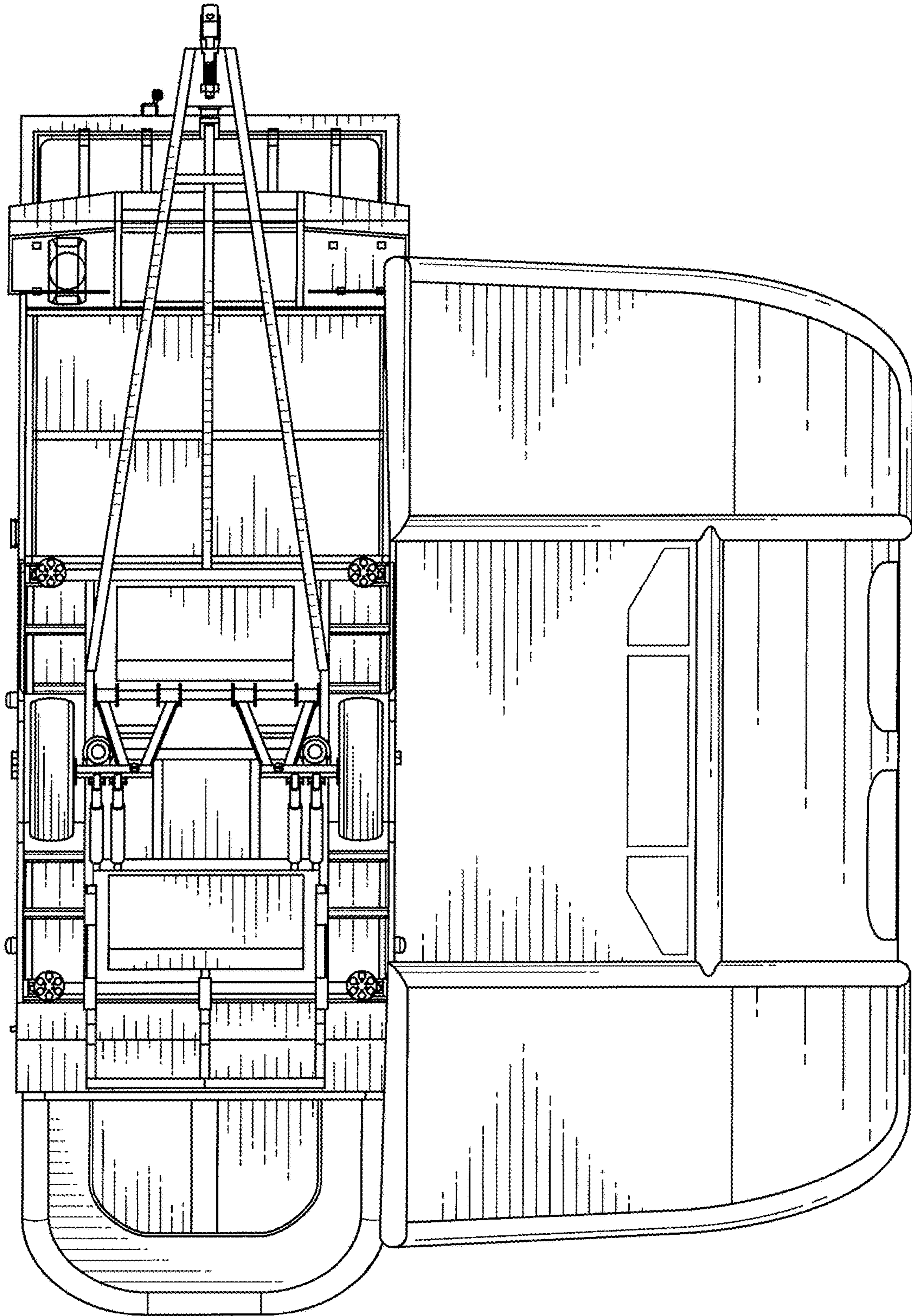


FIG. 8