



US00D864033S

(12) **United States Design Patent**
Devine et al.

(10) **Patent No.:** **US D864,033 S**
(45) **Date of Patent:** **** Oct. 22, 2019**

(54) **TRAVEL TRAILER**
(71) Applicant: **Thor Tech, Inc.**, Elkhart, IN (US)
(72) Inventors: **James Jack Owen Devine**, Jackson Center, OH (US); **Dale Beever**, San Juan Capistrano, CA (US); **Raymond McKay Featherstone**, Tipp City, OH (US); **Bryan M. Fox**, Chicago, IL (US); **Dana Kim Gehman**, Marysville, OH (US); **Bradley J. Mitchell**, Chicago, IL (US); **Robert Owen Sanford**, DeGraff, OH (US); **Bryan Thompson**, Beverly Hills, CA (US)

D357,214 S 4/1995 McCaffrey
D378,583 S 3/1997 Aitken
D389,785 S 1/1998 Guzak
D391,526 S 3/1998 Kass et al.
5,938,261 A 8/1999 Faba
D443,561 S 6/2001 Voogt
D510,545 S 10/2005 Riegel et al.
D580,071 S 11/2008 Evans et al.
D603,299 S 11/2009 Prusmack
7,795,837 B1 * 9/2010 Haun H01M 10/441
136/244
D625,666 S 10/2010 Treleven
D633,010 S * 2/2011 Hixson B60P 3/0257
D12/102
D653,588 S 2/2012 Heard
D659,595 S 5/2012 Eliason
8,193,760 B2 * 6/2012 Wagnon H01M 10/465
320/101
D664,072 S 7/2012 Halloran
D689,401 S * 9/2013 Calderon D12/101
D690,621 S * 10/2013 Rose D12/105

(73) Assignee: **Thor Tech, Inc.**, Elkhart, IN (US)

(**) Term: **15 Years**

(21) Appl. No.: **29/635,816**

(22) Filed: **Feb. 2, 2018**

Primary Examiner — Katrina A Betton

(74) Attorney, Agent, or Firm — Dinsmore & Shohl LLP

(Continued)

Related U.S. Application Data

(62) Division of application No. 29/547,401, filed on Dec. 3, 2015, now Pat. No. Des. 813,101.

(51) **LOC (12) Cl.** **12-16**

(52) **U.S. Cl.**
USPC **D12/102**

(58) **Field of Classification Search**
USPC D12/100–106, 19, 129, 111–112;
D21/425, 435; D34/21–26, 12, 16–19
CPC .. B62D 35/00; B62D 33/077; B62D 33/0612;
B62D 24/04; B60P 3/38; B60P 3/10;
B60P 3/1033; B60P 3/0257; E01F 15/14
See application file for complete search history.

(56) **References Cited**

U.S. PATENT DOCUMENTS

D309,124 S 7/1990 Young
D349,429 S 8/1994 Morehead

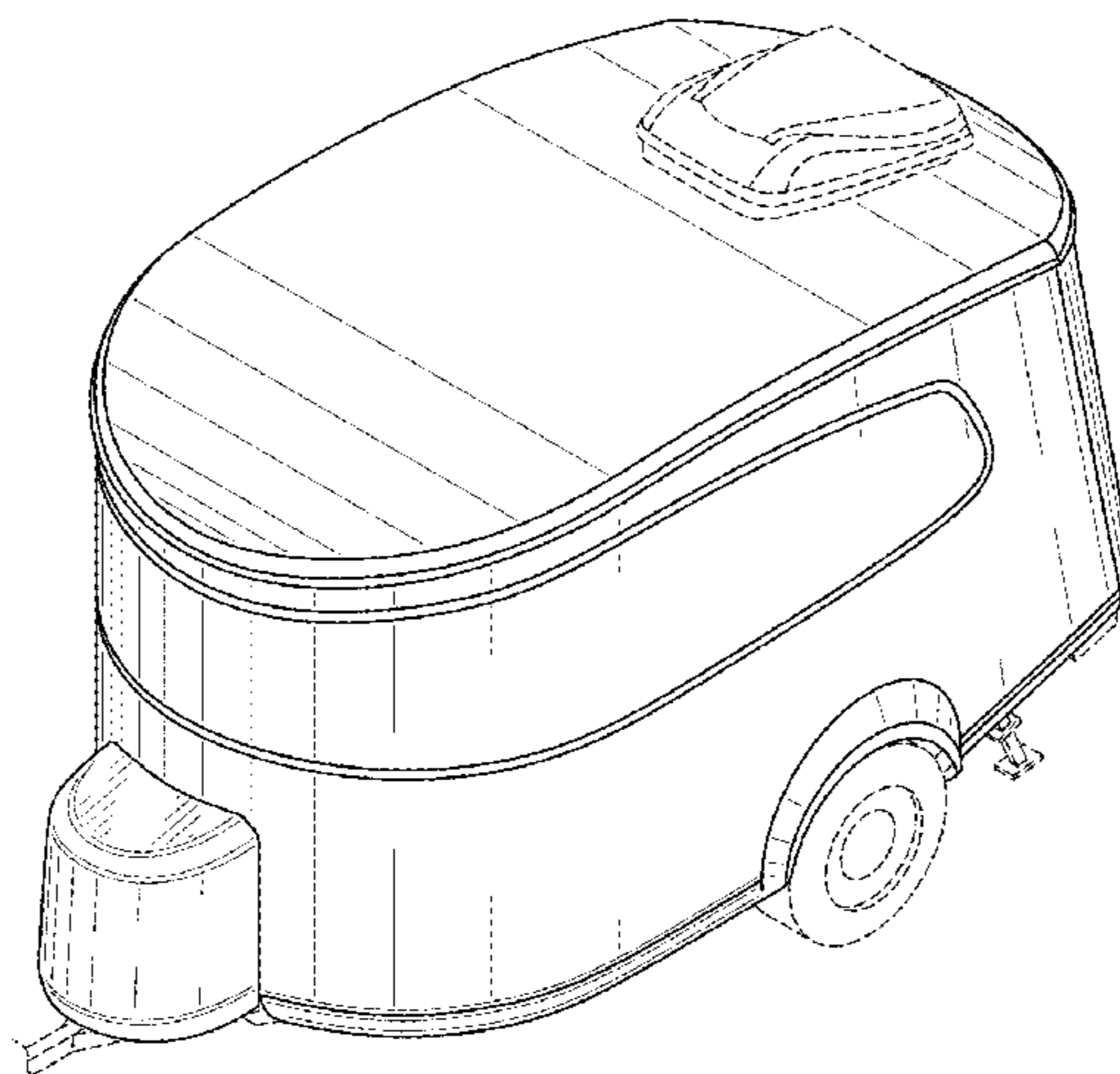
(57) **CLAIM**

The ornamental design for a travel trailer, as shown.

DESCRIPTION

FIG. 1 is a perspective view of a travel trailer illustrating my new design;
FIG. 2 is a side view of the design of FIG. 1;
FIG. 3 is another side view of the design of FIG. 1;
FIG. 4 is a front view of the design of FIG. 1;
FIG. 5 is a rear view of the design of FIG. 1; and,
FIG. 6 is a top view of the design of FIG. 1.
The broken lines represent portions of the structure that form no part of the claim.

1 Claim, 5 Drawing Sheets



(56)

References Cited

U.S. PATENT DOCUMENTS

D691,925 S * 10/2013 Hindle D12/101
D700,111 S * 2/2014 Pacholyk D12/106
D716,701 S * 11/2014 Beelman, III D12/106
D737,725 S 9/2015 Bell
9,184,628 B2 * 11/2015 Carpoff H02J 7/355
D759,546 S 6/2016 Van Wyk
D759,547 S 6/2016 Van Wyk
D759,548 S 6/2016 Swartz
D764,354 S * 8/2016 Riquer-Gonzalez-Cosio
D12/106
D782,938 S 4/2017 Cohen et al.
9,751,446 B2 * 9/2017 Hixson B60P 3/0257
2008/0265617 A1 * 10/2008 Davidson B60P 3/341
296/173
2009/0288698 A1 * 11/2009 Chen H02S 20/00
136/244

* cited by examiner

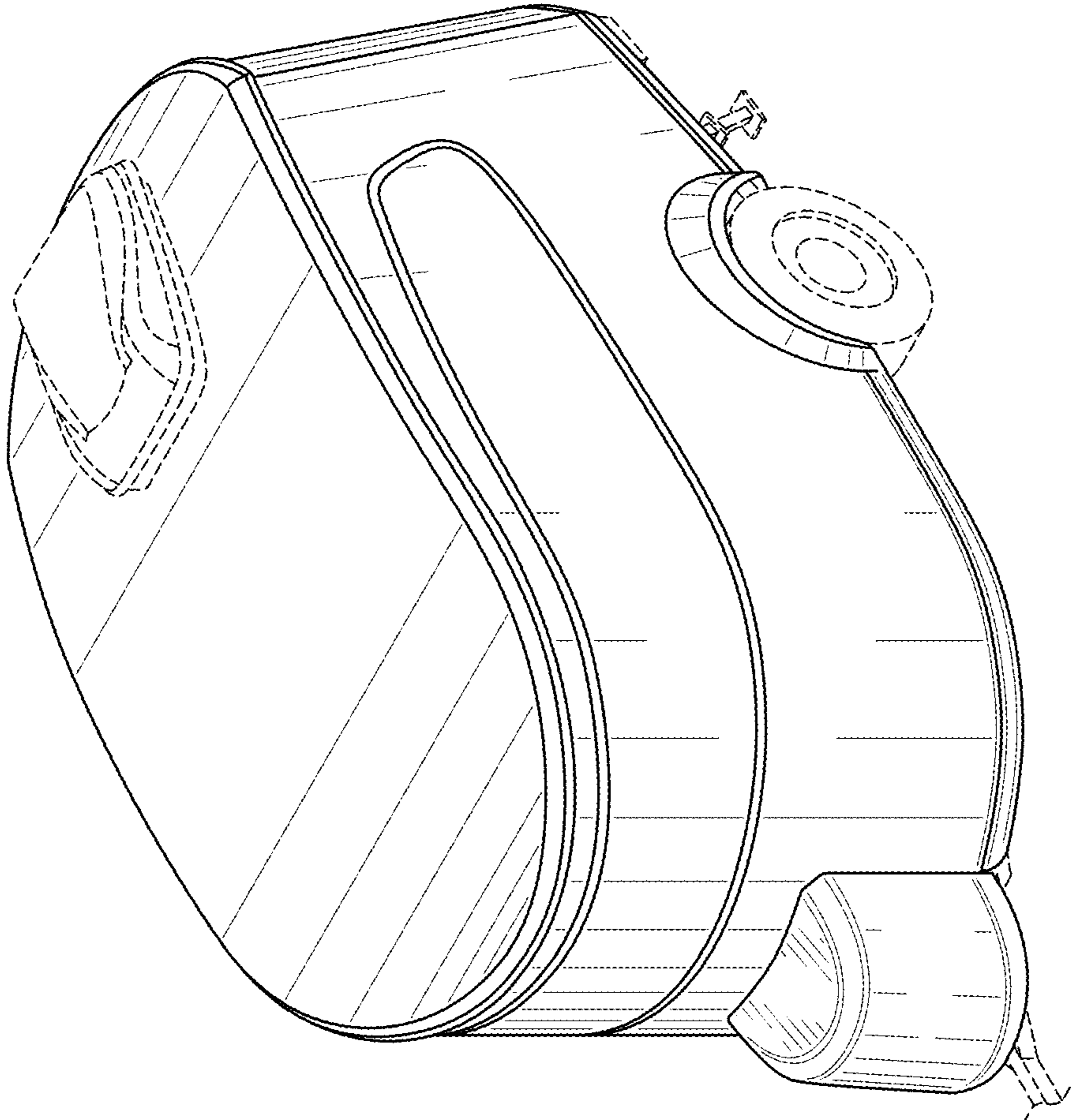


FIG. 1

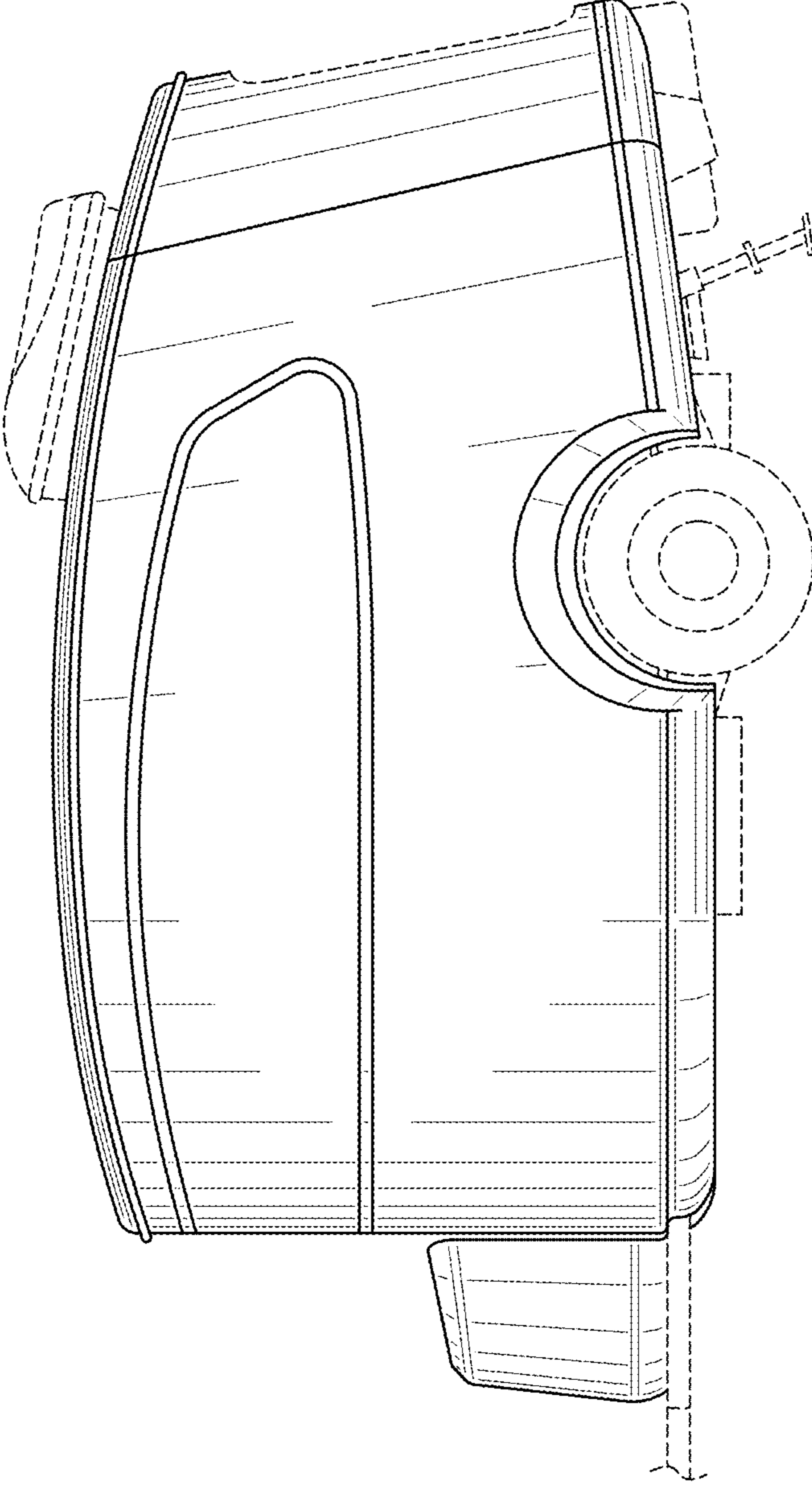


FIG. 2

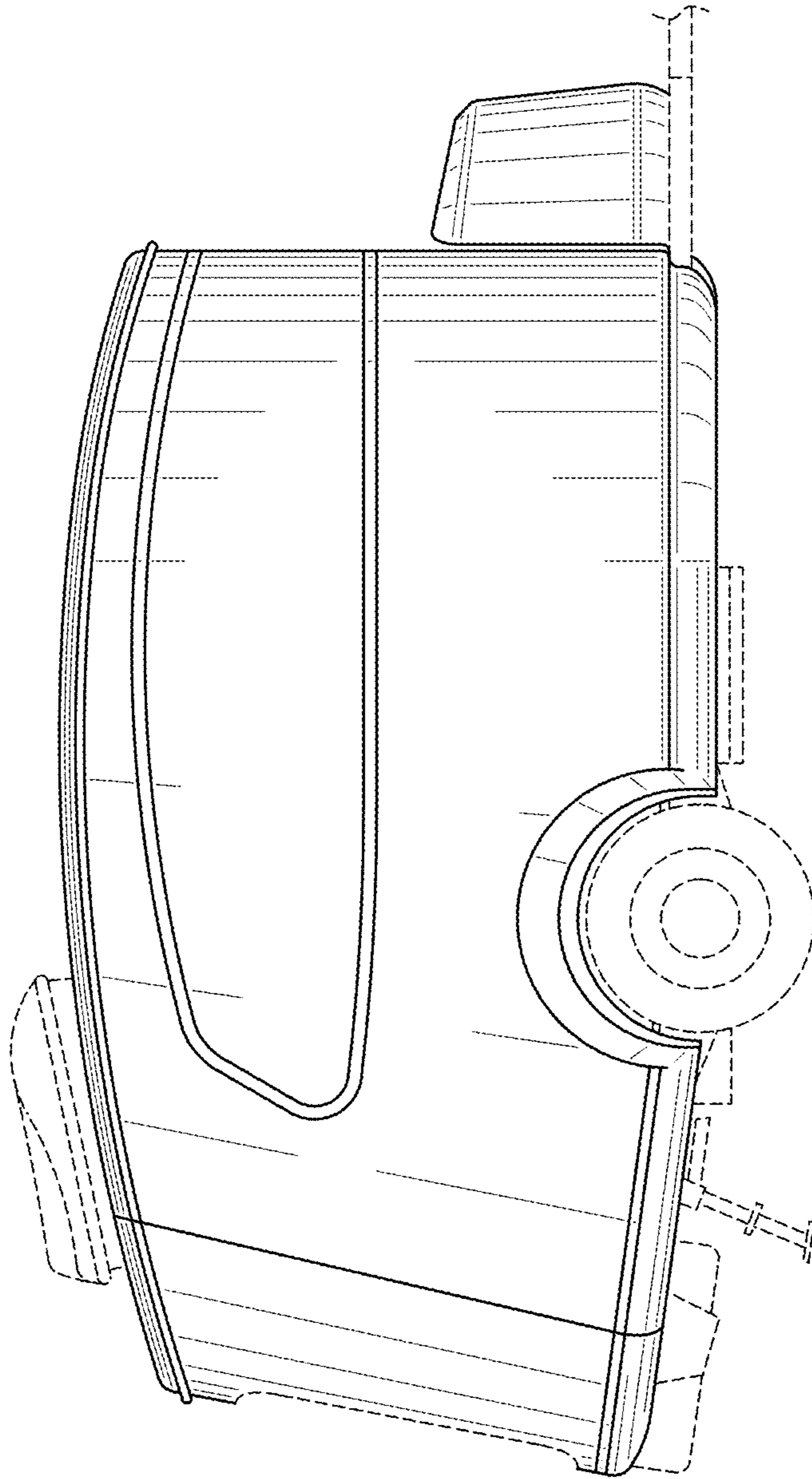


FIG. 3

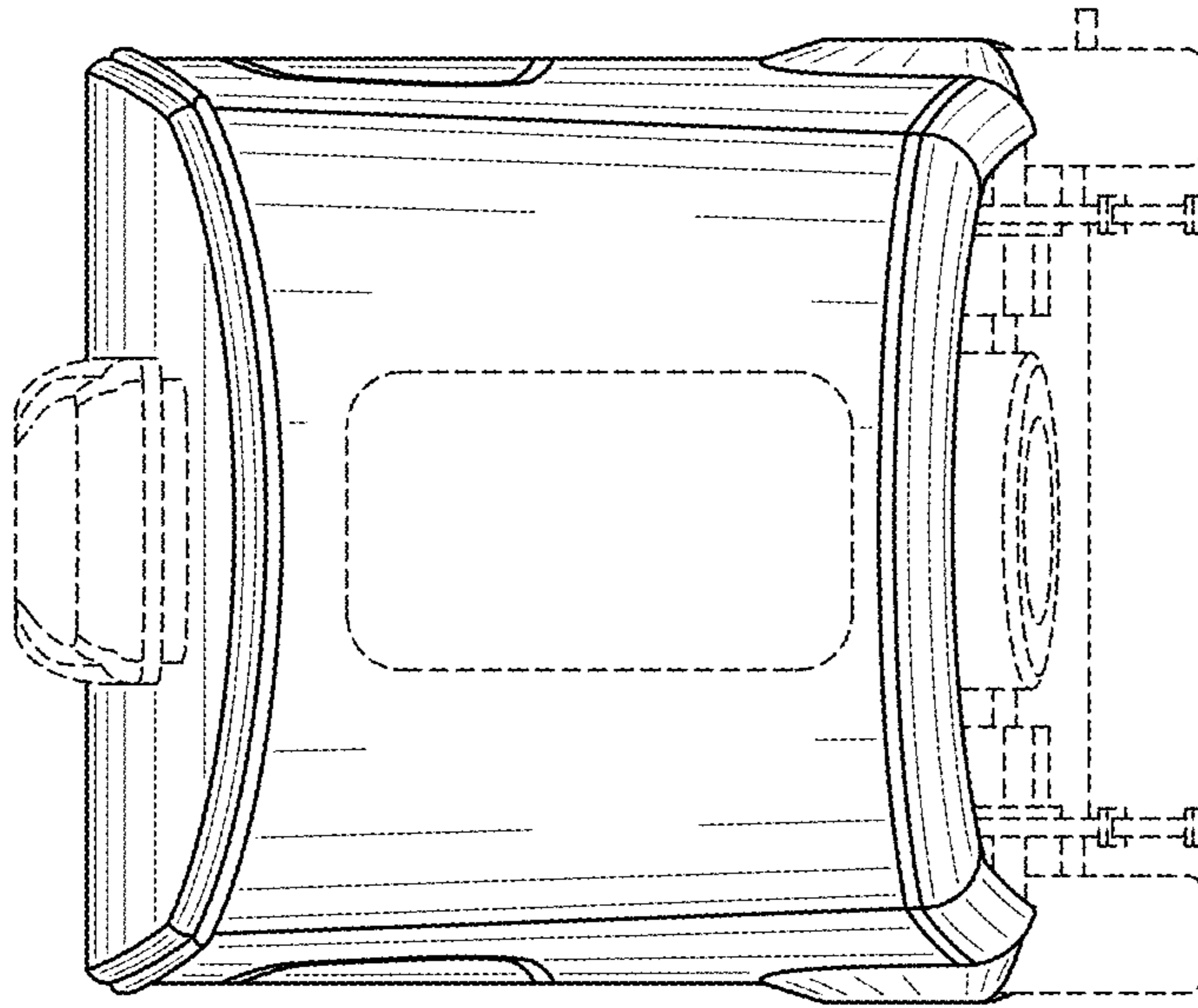


FIG. 5

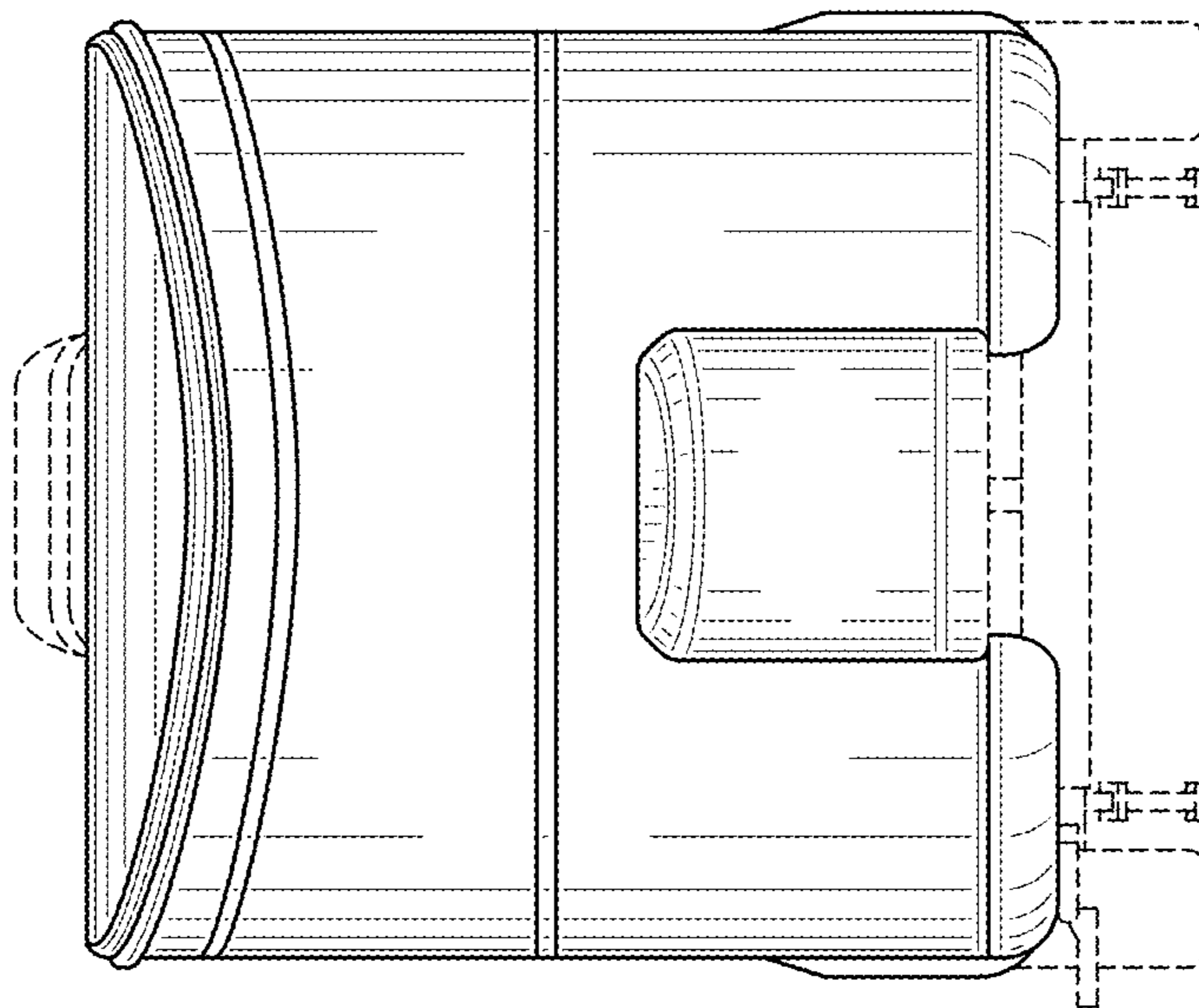


FIG. 4

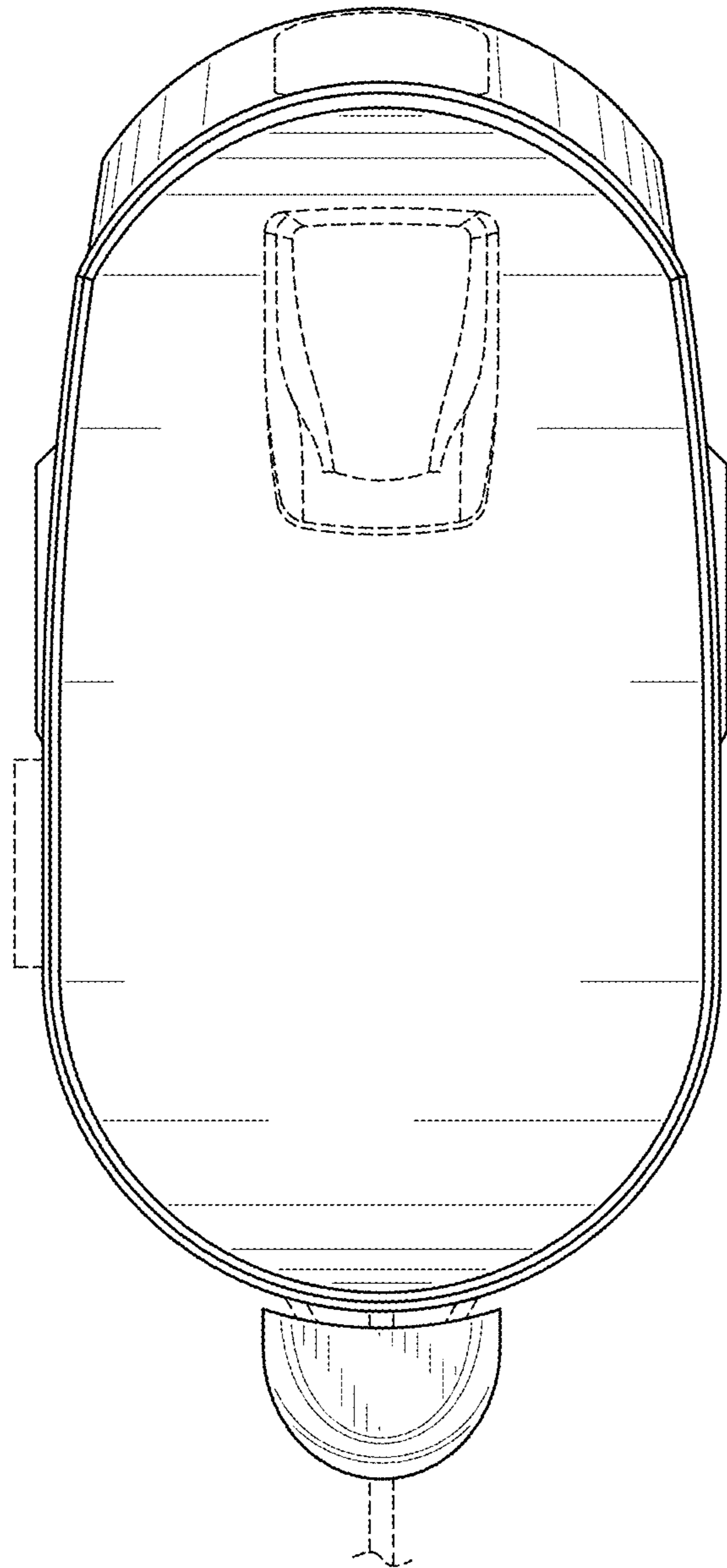


FIG. 6