

US00D864032S

(12) **United States Design Patent**
Bernard

(10) **Patent No.:** **US D864,032 S**
(45) **Date of Patent:** **** Oct. 22, 2019**

- (54) **COLLAPSIBLE HITCHED TRAILER**
- (71) Applicant: **REMORQUES APOGÉE INC.**, Town of Mount-Royal (CA)
- (72) Inventor: **René Bernard**, Mascouche (CA)
- (73) Assignee: **REMORQUES APOGÉE INC.**, Town of Mount (CA)
- (**) Term: **15 Years**
- (21) Appl. No.: **29/629,916**
- (22) Filed: **Dec. 18, 2017**
- (51) **LOC (12) Cl.** **12-10**
- (52) **U.S. Cl.**
USPC **D12/101**
- (58) **Field of Classification Search**
USPC D12/19, 129, 100–106, 111–112, 162;
D21/425, 435; D34/21–26, 12, 16–19
CPC . B62D 35/02; B62D 35/00; B60P 3/10; B60P
3/1033; A62B 3/005
See application file for complete search history.

D760,122 S * 6/2016 Guidry D12/101
D761,160 S * 7/2016 Gilles Duros D12/101
D779,380 S * 2/2017 van den Berg D12/101
(Continued)

FOREIGN PATENT DOCUMENTS

CA 2550262 12/2006
CA 2708709 1/2011

Primary Examiner — Katrina A Betton

(74) Attorney, Agent, or Firm — Gonzalo Lavin

(57) **CLAIM**

The ornamental design for a “collapsible hitched trailer”, as shown and described.

DESCRIPTION

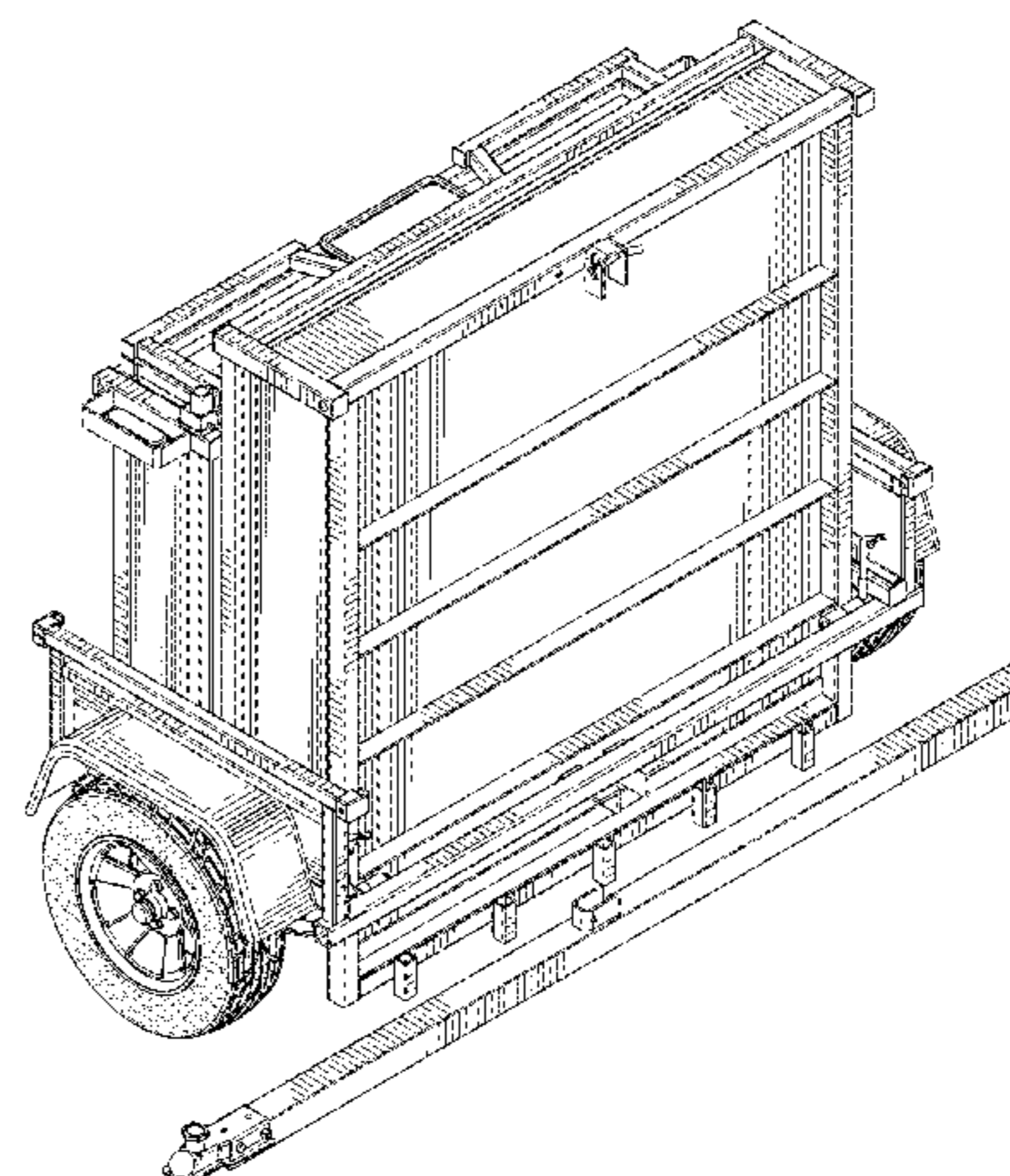
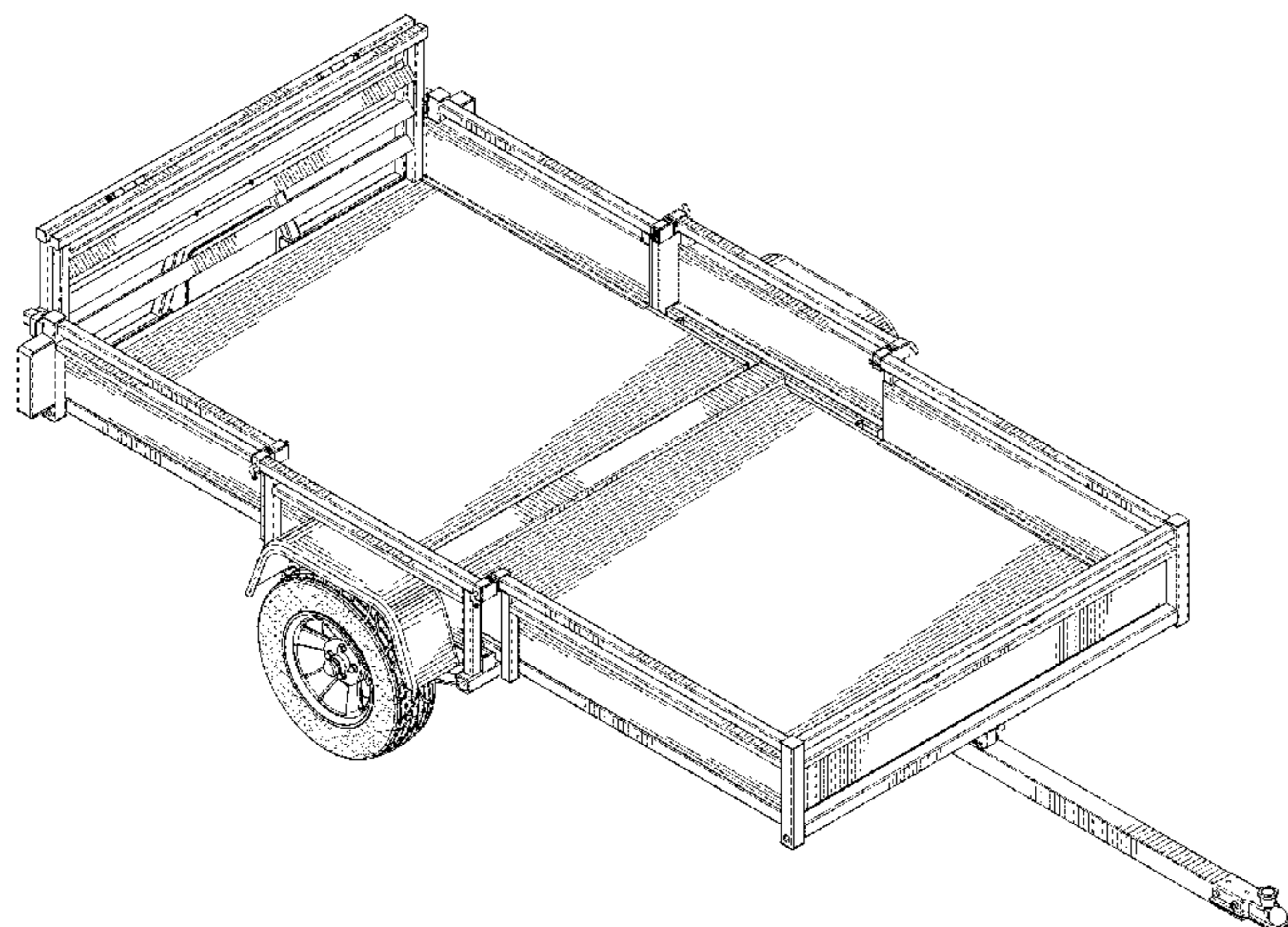
FIG. 1 is a perspective view of a collapsible hitched trailer; FIG. 2 is a top view of the collapsible hitched trailer of FIG. 1; FIG. 3 is a right view of the collapsible hitched trailer of FIG. 1; FIG. 4 is a left view of the collapsible hitched trailer of FIG. 1; FIG. 5 is a front view of the collapsible hitched trailer of FIG. 1; FIG. 6 is a rear view of the collapsible hitched trailer of FIG. 1; FIG. 7 is a perspective view of the collapsible hitched trailer of FIG. 1 in a collapsed position; FIG. 8 is a top view of the collapsible hitched trailer of FIG. 1; FIG. 9 is a right view of the collapsible hitched trailer of FIG. 1; FIG. 10 is a left view of the collapsible hitched trailer of FIG. 1; FIG. 11 is a front view of the collapsible hitched trailer of FIG. 1; and, FIG. 12 is a rear view of the collapsible hitched trailer of FIG. 1.

(56) **References Cited**

U.S. PATENT DOCUMENTS

1,471,479	A	10/1923	Gleissner	
4,126,324	A	11/1978	Browning	
4,239,258	A	12/1980	Burris	
6,846,003	B2	1/2005	Thompson	
7,052,033	B2	5/2006	McDonell	
7,540,528	B2	6/2009	Spainhower	
D626,461	S *	11/2010	Barrios	D12/101
8,235,412	B2	8/2012	Norton	
8,448,978	B2	5/2013	Alvarino	
D695,647	S *	12/2013	Manley	D12/101
8,613,462	B2	12/2013	Bernard	
D698,701	S *	2/2014	Dempsey	D12/101
D706,684	S *	6/2014	Dempsey	D12/101
D751,466	S *	3/2016	Freitag	D12/101

1 Claim, 10 Drawing Sheets



(56)

References Cited

U.S. PATENT DOCUMENTS

D793,911 S * 8/2017 Yim D12/101
D803,102 S * 11/2017 Pletcher D12/101

* cited by examiner

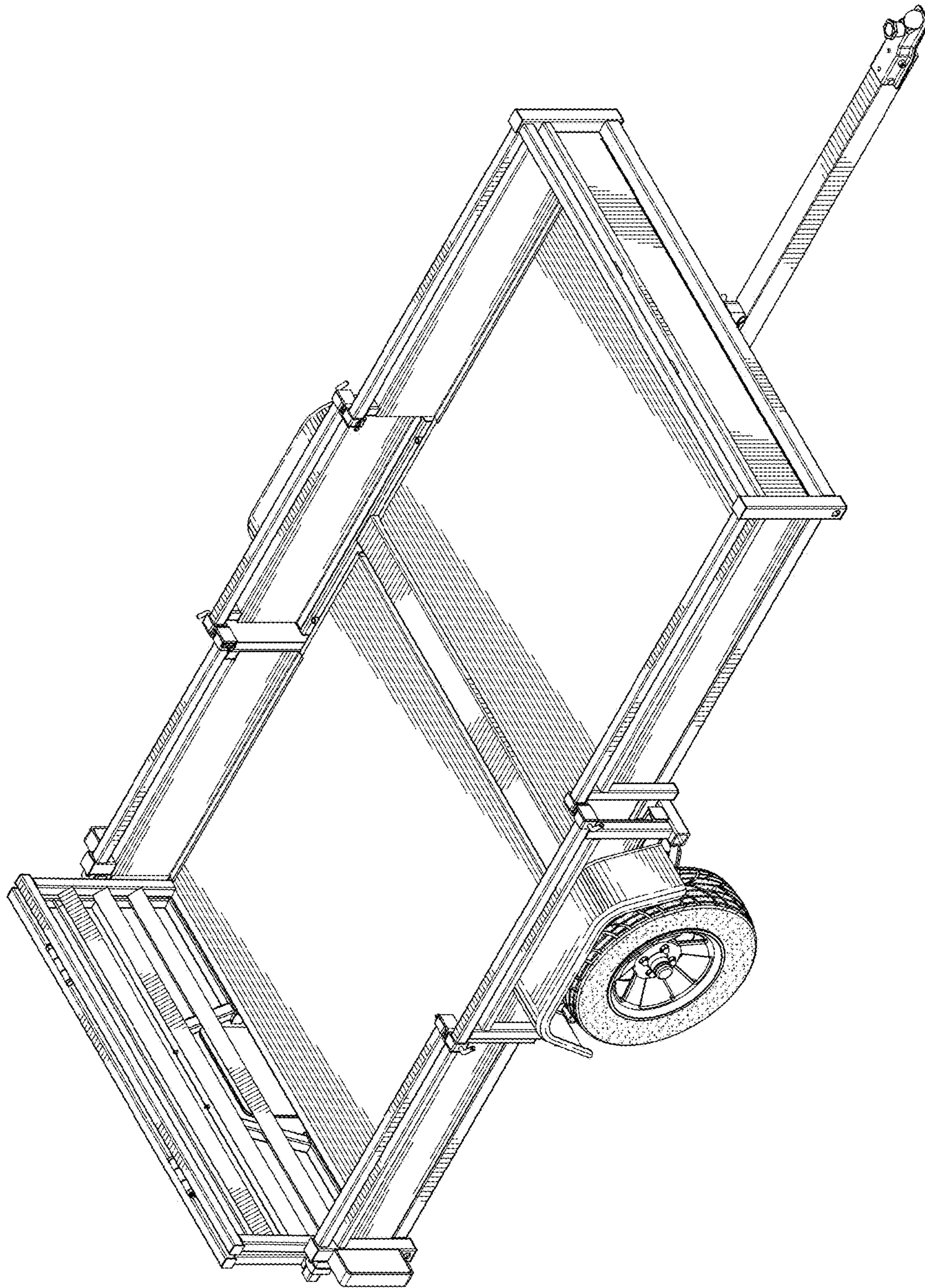


FIG. 1

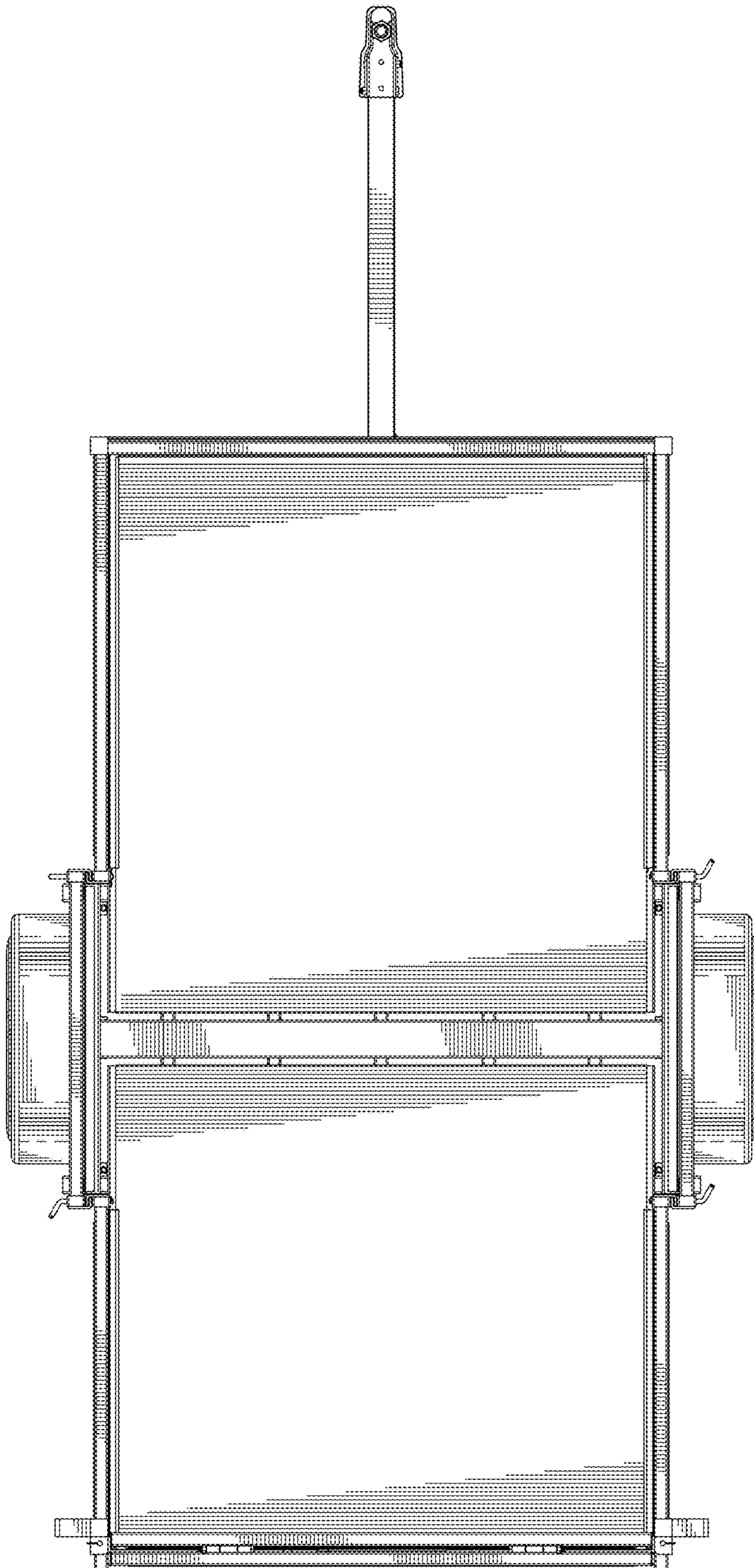


FIG. 2

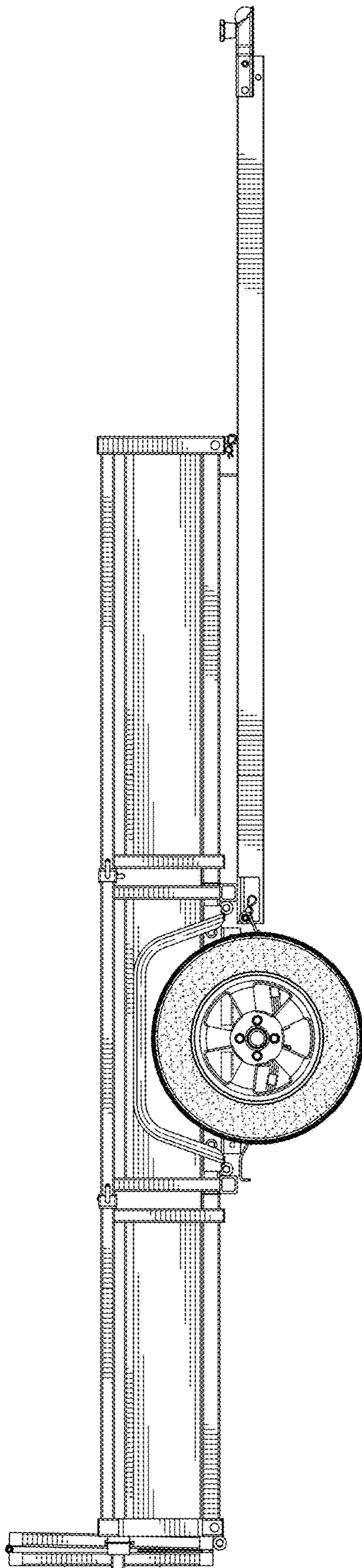


FIG. 3

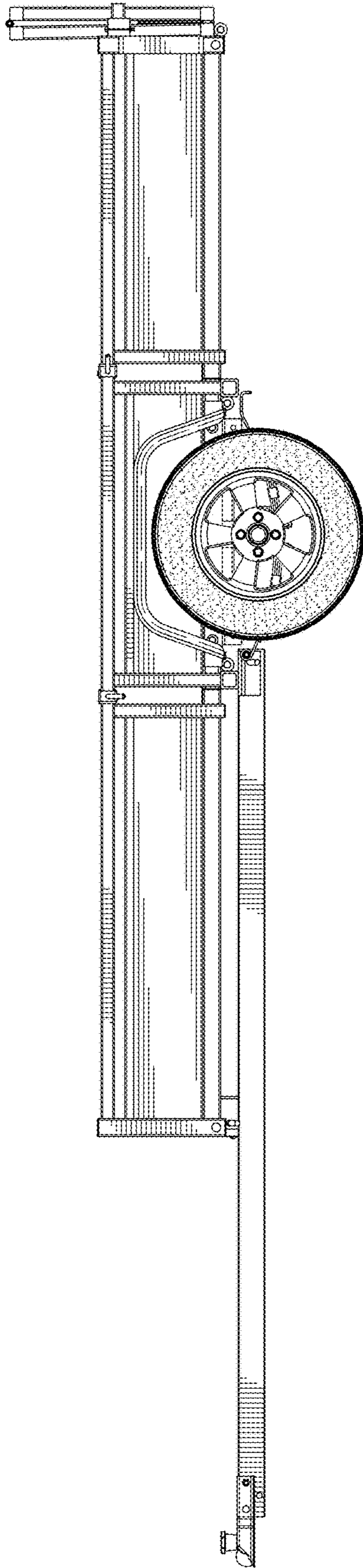


FIG. 4

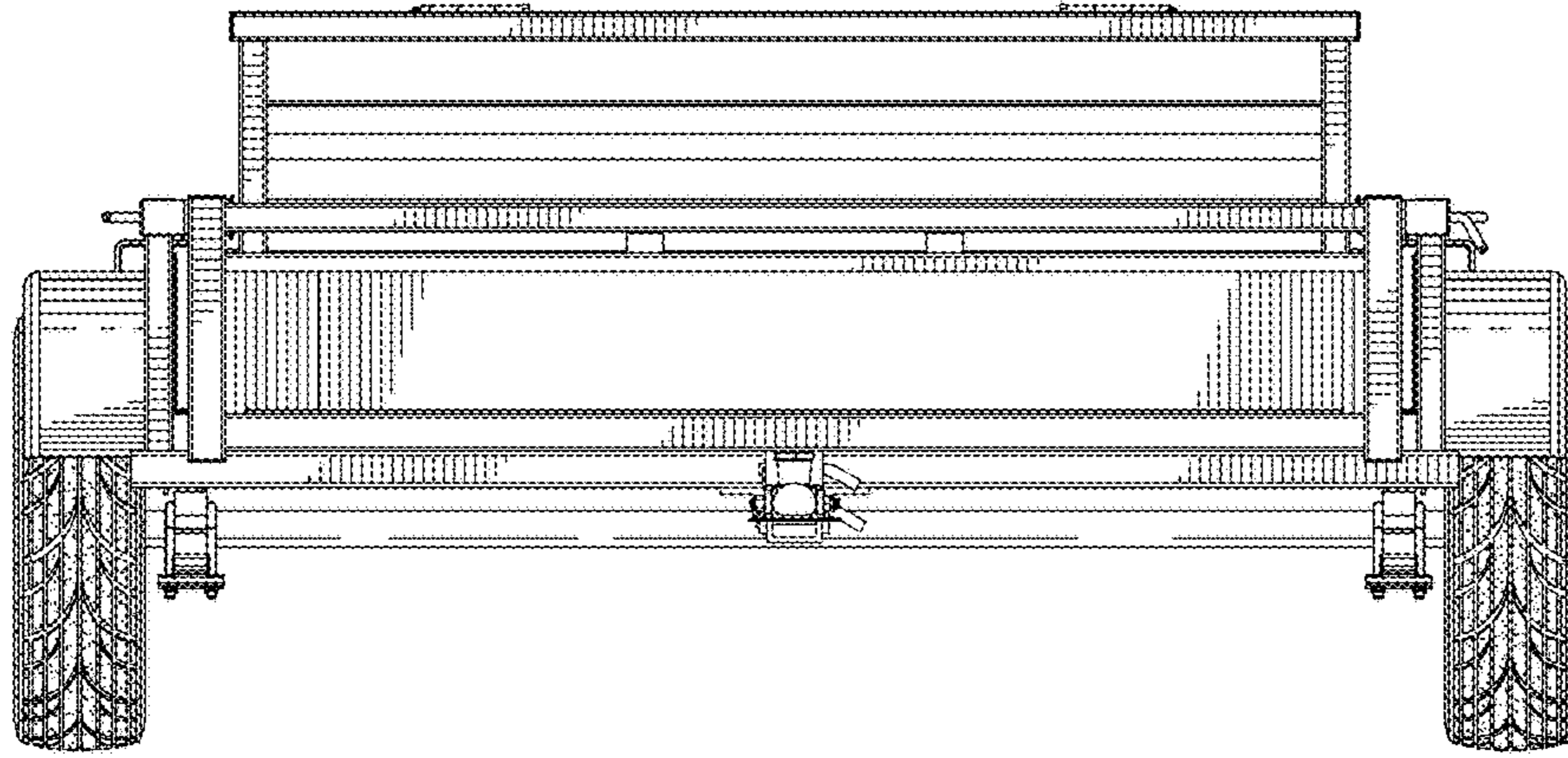


FIG. 5

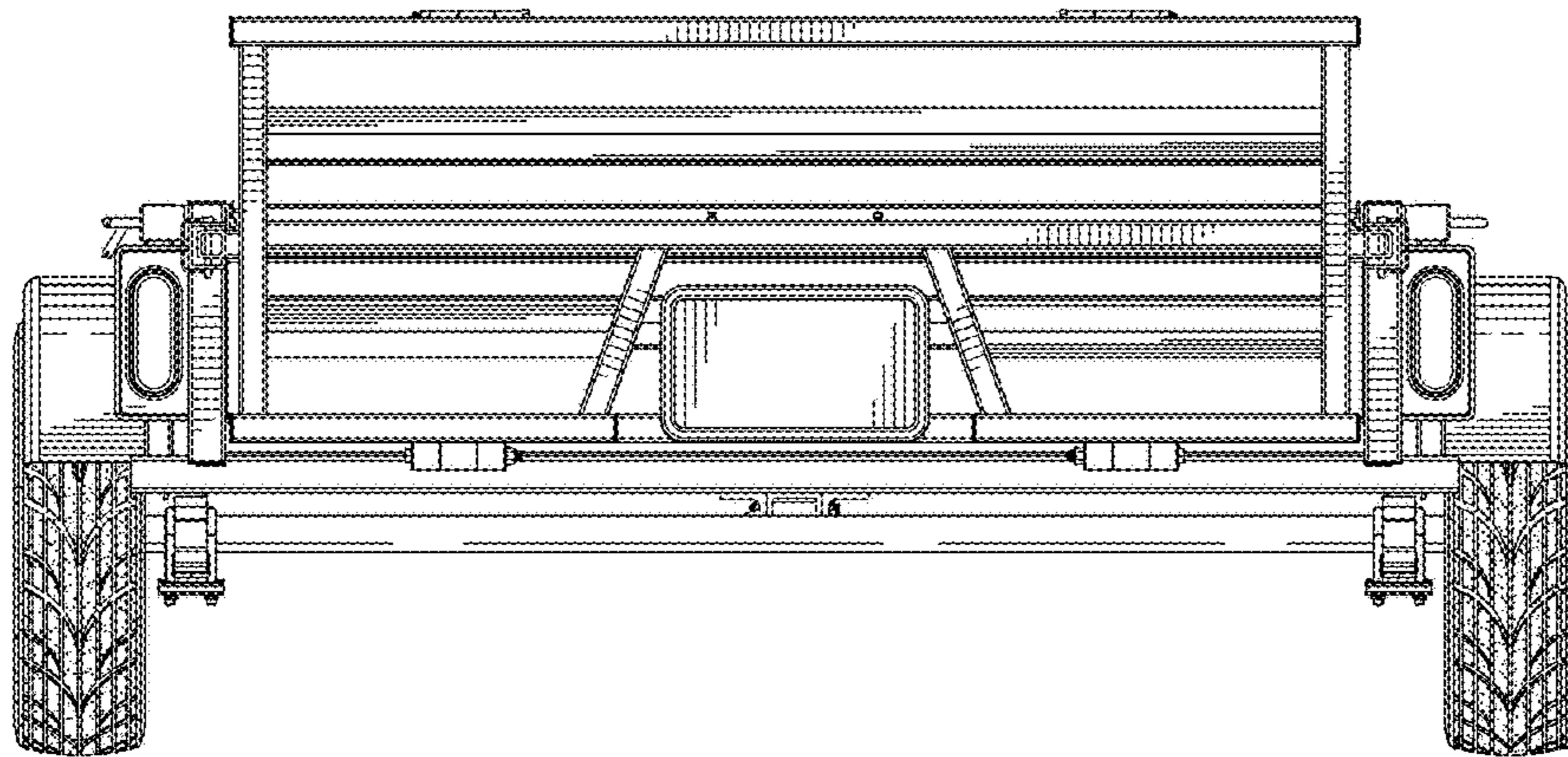


FIG. 6

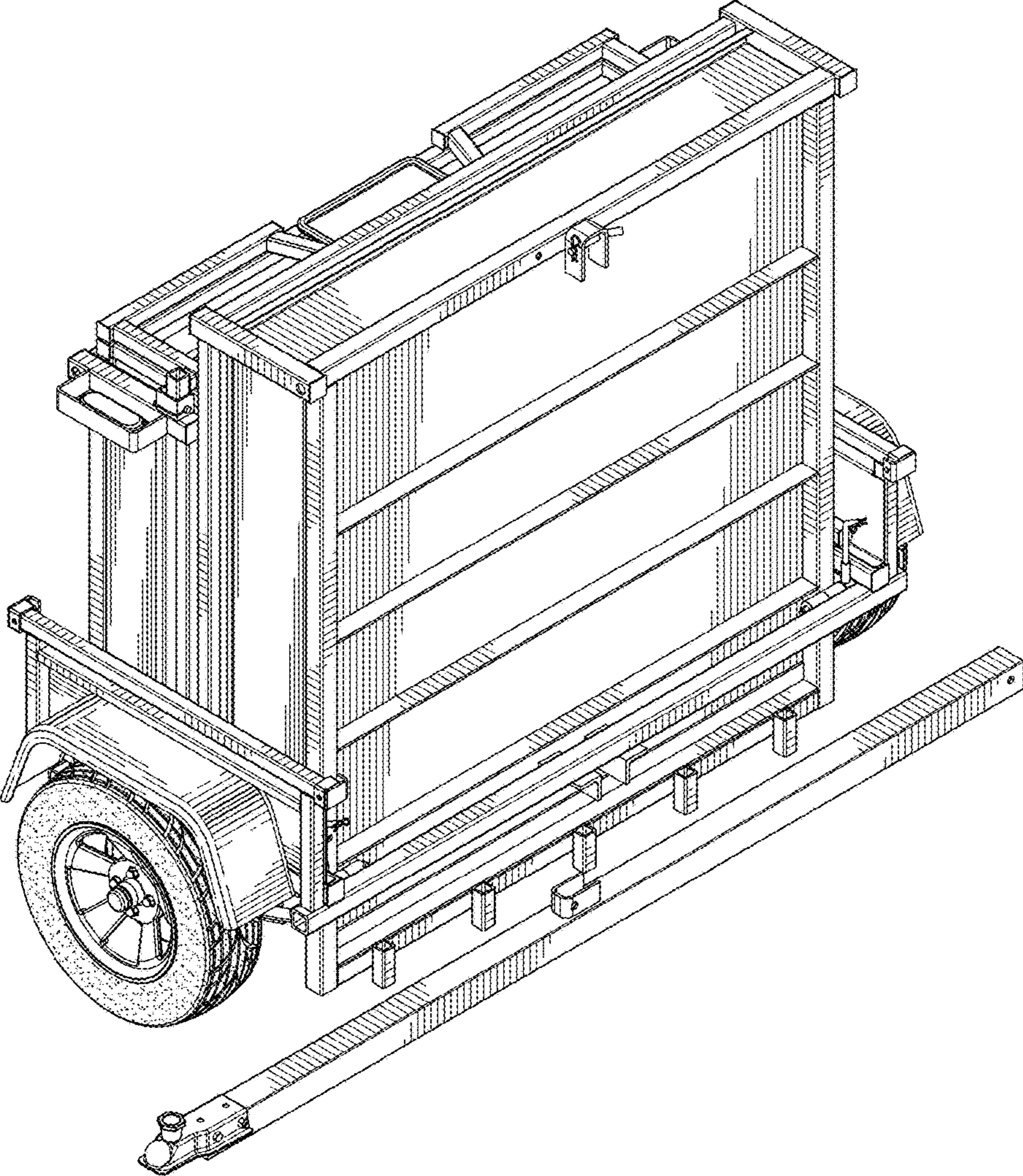


FIG. 7

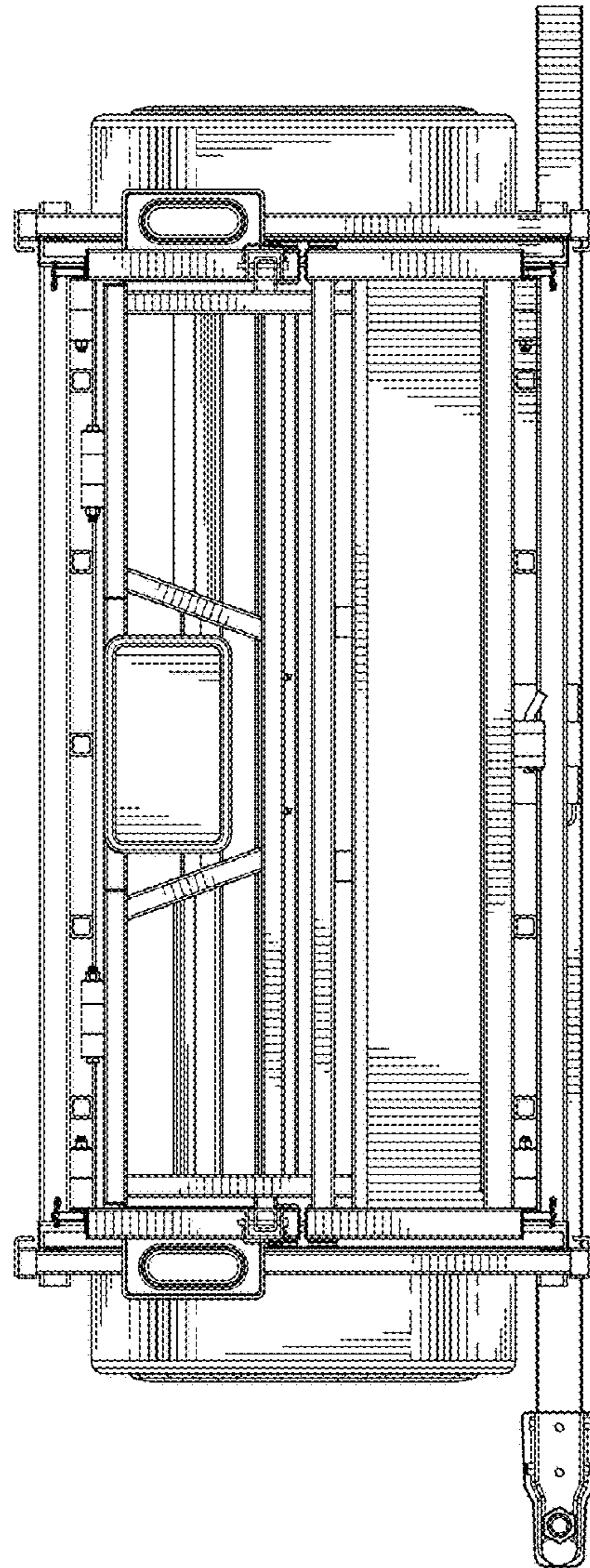


FIG. 8

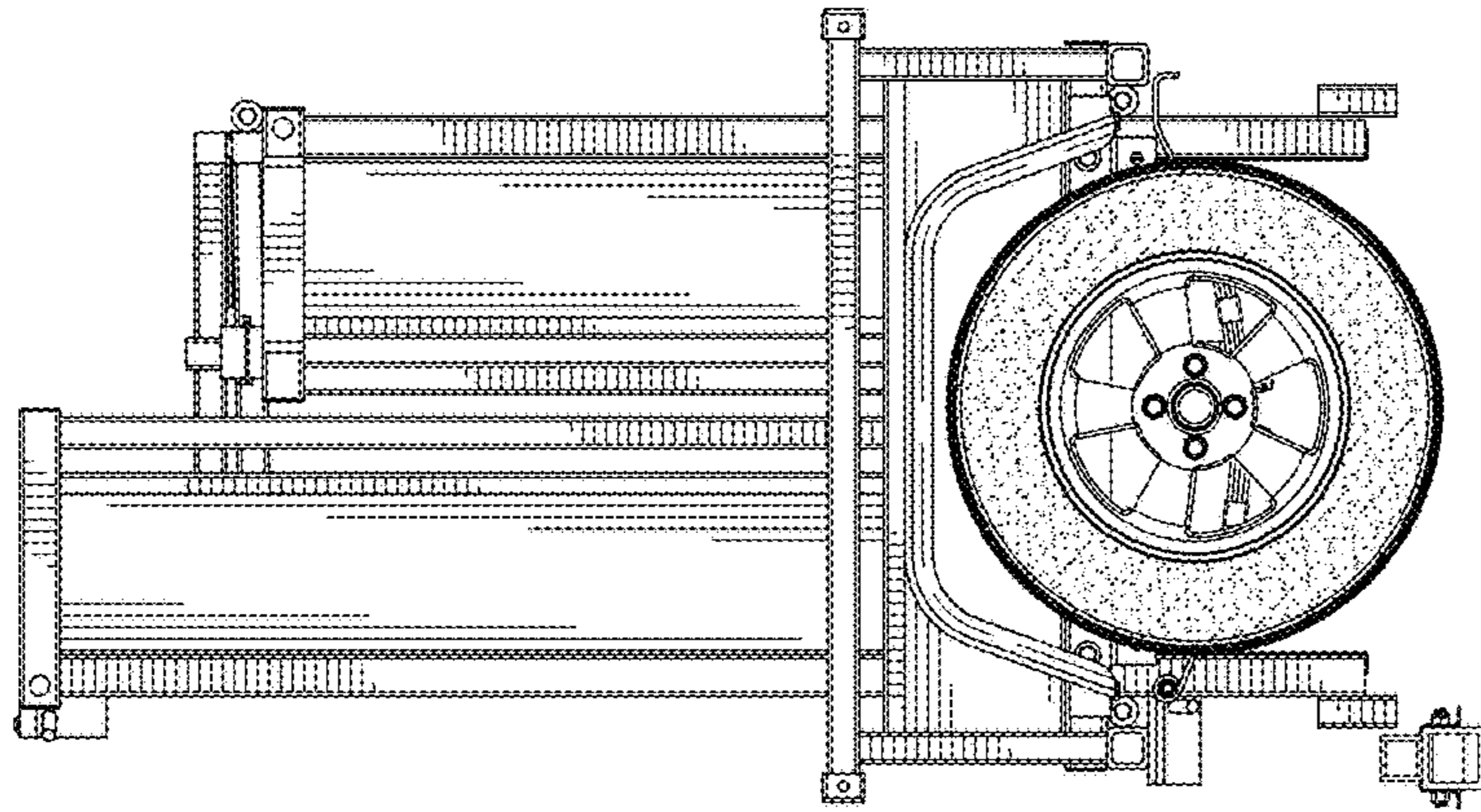


FIG. 10

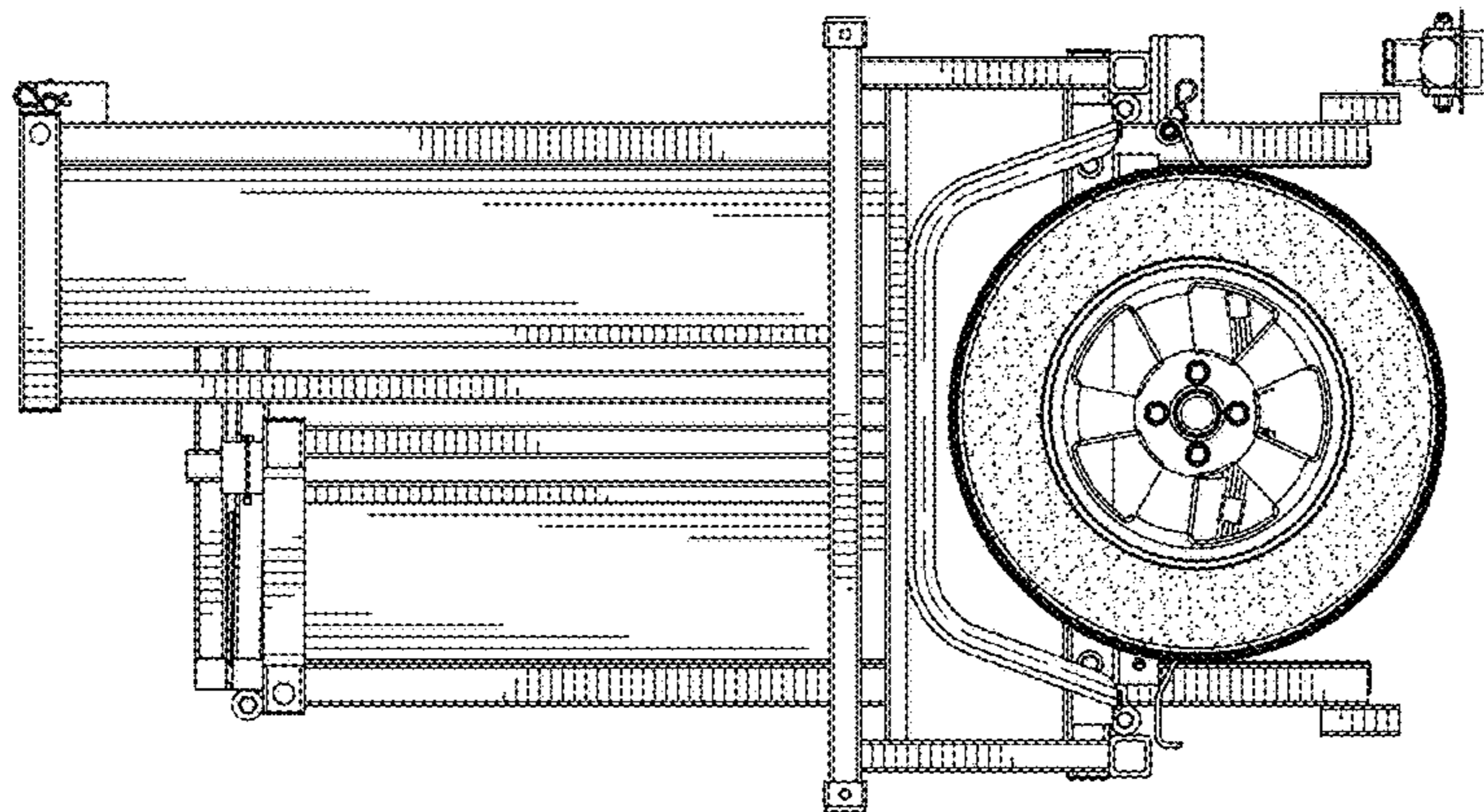


FIG. 11

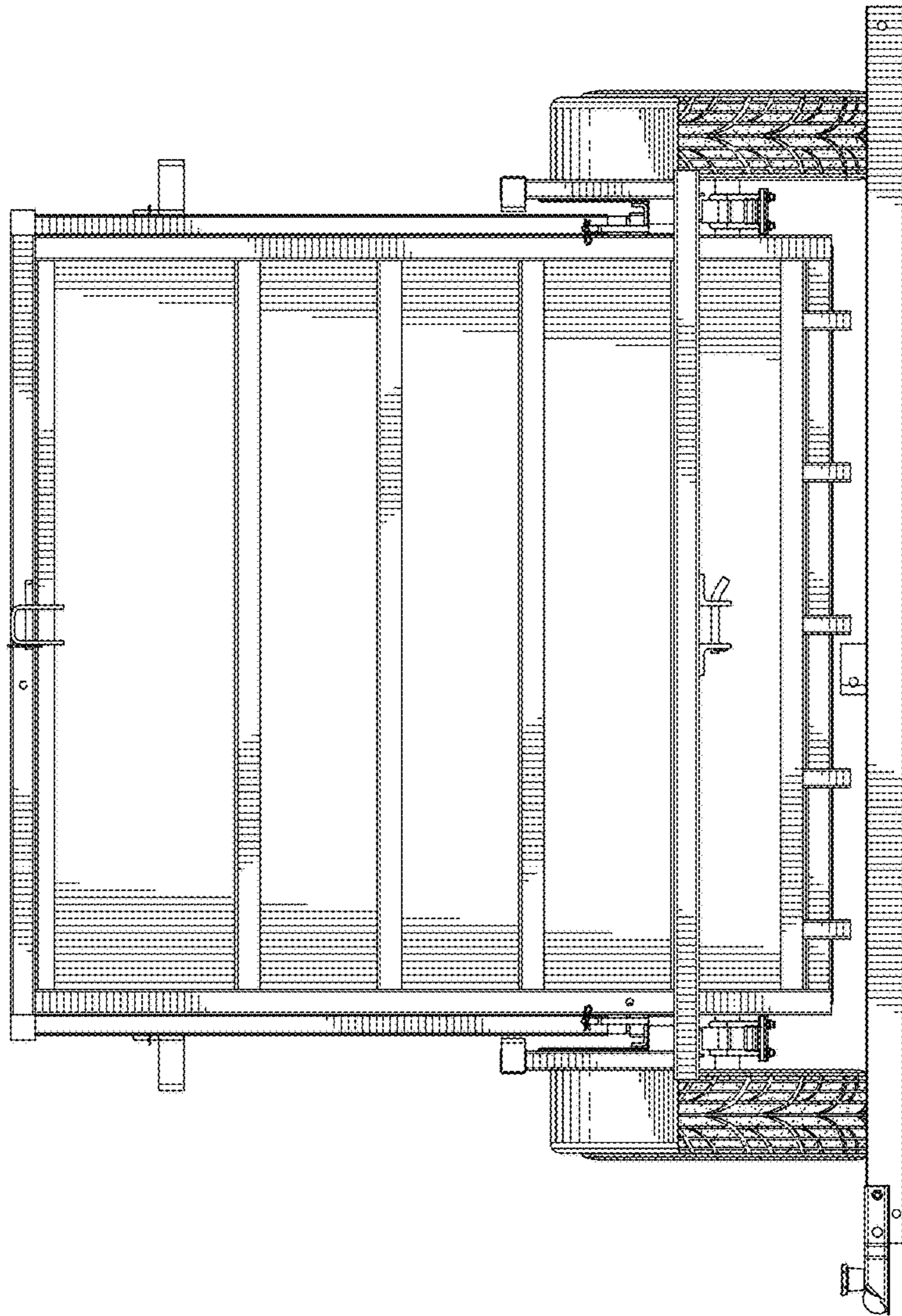


FIG. 11

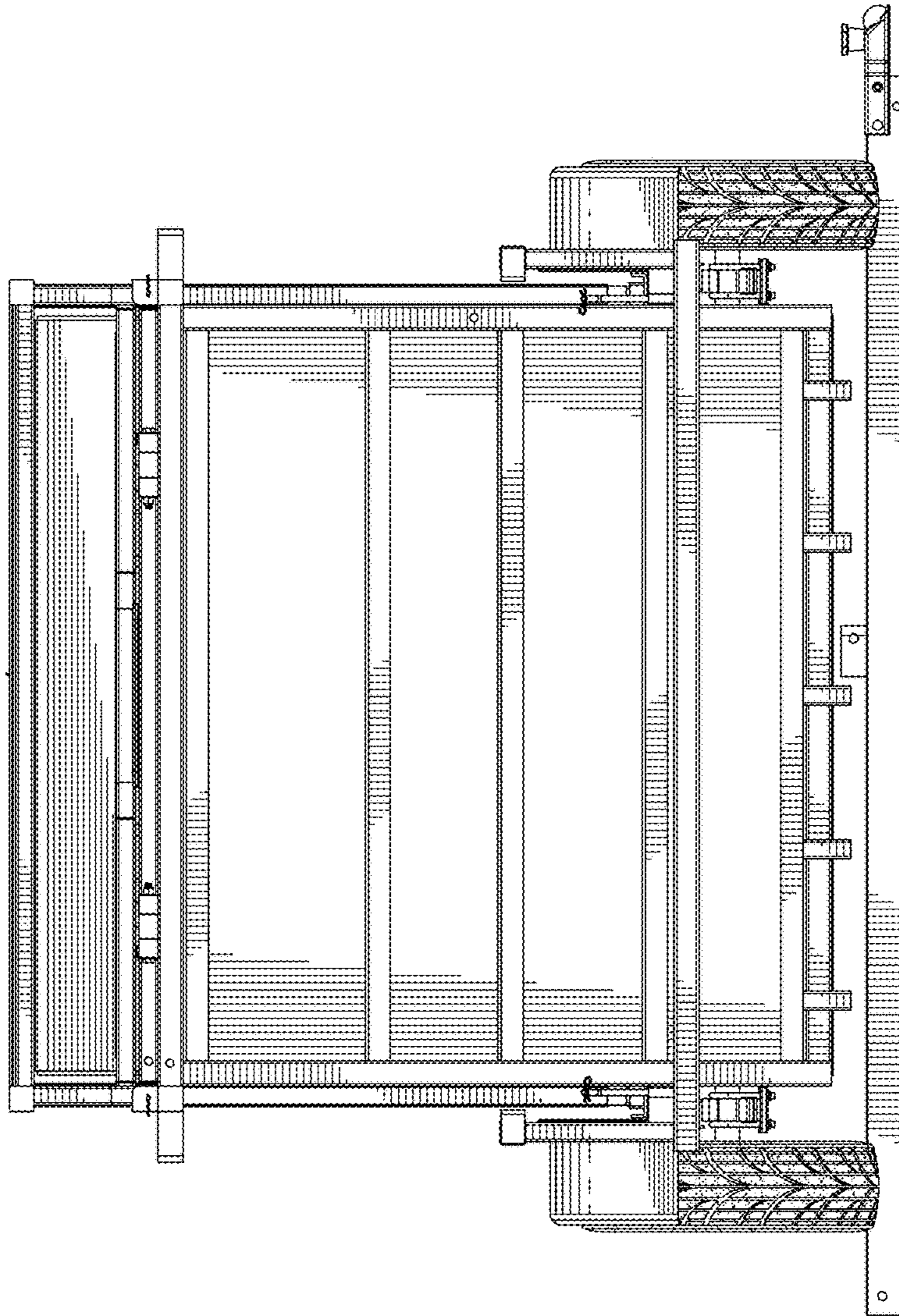


FIG. 12