



US00D864031S

(12) **United States Design Patent**  
**Gander et al.**

(10) **Patent No.:** **US D864,031 S**

(45) **Date of Patent:** **\*\* Oct. 22, 2019**

(54) **VEHICLE**

(71) Applicant: **Oshkosh Defense, LLC**, Oshkosh, WI (US)

(72) Inventors: **Jesse Gander**, Oshkosh, WI (US);  
**Devon Palmer**, Oshkosh, WI (US);  
**McCall Groen**, Oshkosh, WI (US)

(73) Assignee: **Oshkosh Defense, LLC**, Oshkosh, WI (US)

(\*\*) Term: **15 Years**

(21) Appl. No.: **29/602,245**

(22) Filed: **Apr. 28, 2017**

(51) **LOC (12) Cl.** ..... **12-08**

(52) **U.S. Cl.**  
USPC ..... **D12/93**

(58) **Field of Classification Search**  
USPC ..... D12/86, 90–92, 164, 173, 184–186, 190,  
D12/196, 94, 95, 96, 99; D21/424–426,  
D21/433–434, 548, 549, 550, 552, 559,  
D21/561

CPC ..... B62D 25/06; B62D 23/00; B62D 21/18;  
B62D 21/183; B62D 24/02; B62D 25/00;  
A63H 17/26; A63H 17/262; A63H  
17/264; A63H 17/266; A63H 17/36

See application file for complete search history.

(56) **References Cited**

**U.S. PATENT DOCUMENTS**

- D146,238 S \* 1/1947 Smart ..... 89/1.11
- D277,494 S \* 2/1985 Lerch ..... D21/559
- D323,305 S \* 1/1992 Smith ..... D12/12
- D406,552 S \* 3/1999 Hellhake ..... D12/93
- D416,221 S \* 11/1999 Sutton ..... D12/196
- D442,519 S \* 5/2001 Sacco ..... D12/93
- D466,450 S \* 12/2002 Maher ..... D12/173
- 6,520,494 B1 2/2003 Andersen et al.
- D475,949 S \* 6/2003 Honer ..... D12/96

- 6,779,806 B1 8/2004 Breitbach et al.
- 6,882,917 B2 4/2005 Pillar et al.
- 7,073,620 B2 7/2006 Braun et al.
- 7,258,194 B2 8/2007 Braun et al.
- D556,090 S \* 11/2007 Hammick ..... D12/12
- 7,392,122 B2 6/2008 Pillar et al.
- 7,451,028 B2 11/2008 Pillar et al.

(Continued)

**FOREIGN PATENT DOCUMENTS**

- EP 1 633 619 6/2004
- GB 2 400 588 1/2005

(Continued)

*Primary Examiner* — Manpreet S Matharu

*Assistant Examiner* — Yolanda Robinson

(74) *Attorney, Agent, or Firm* — Foley & Lardner LLP

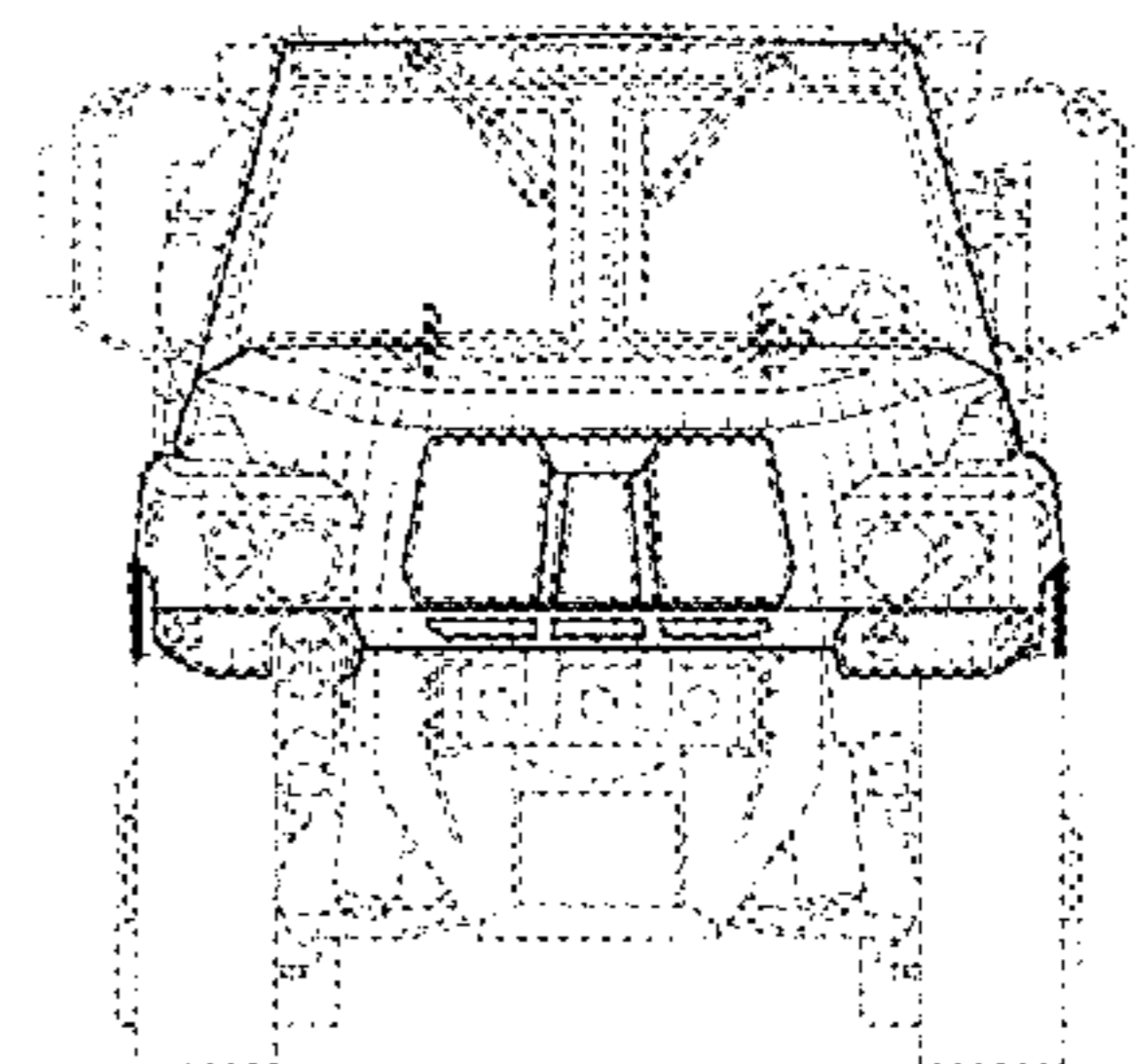
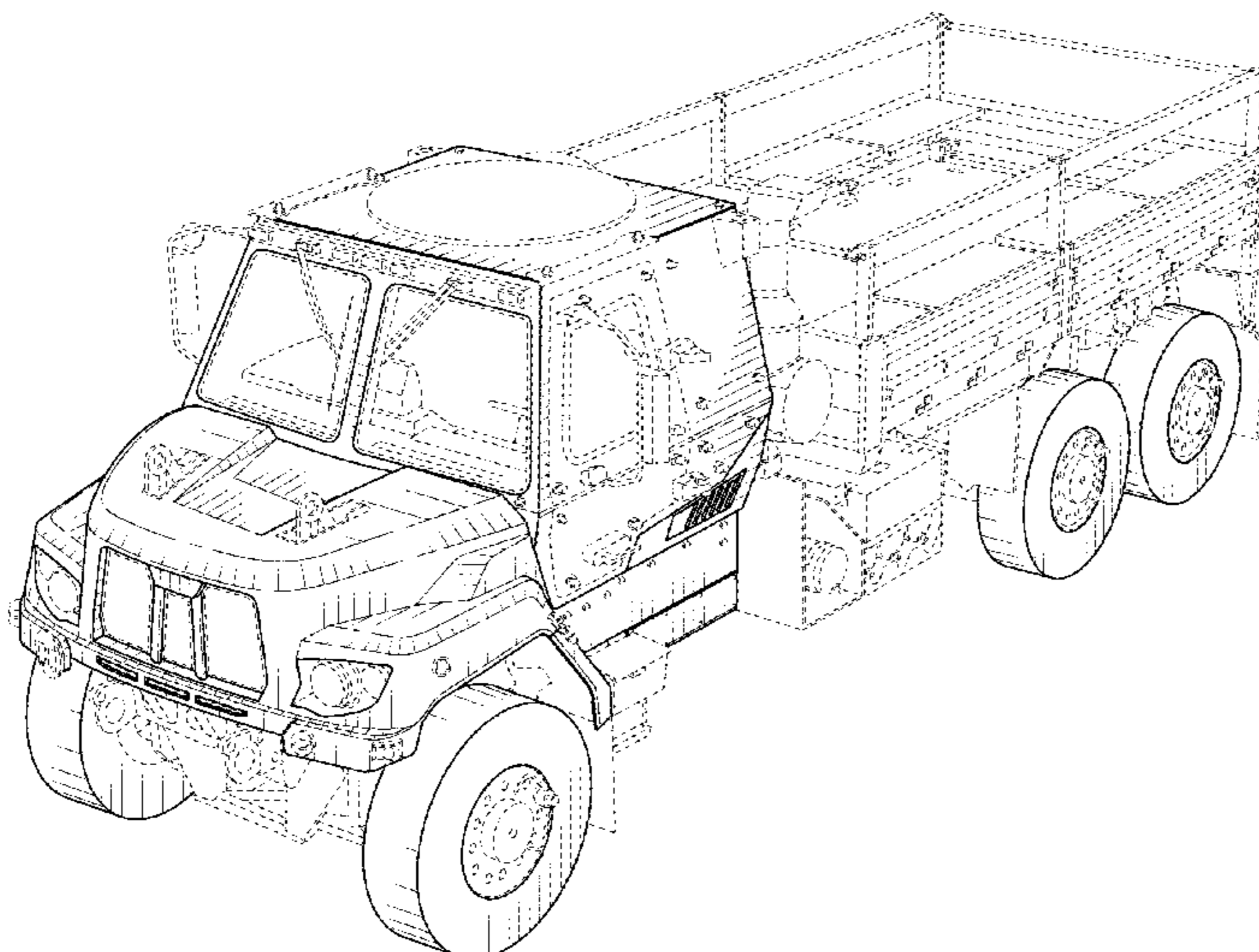
(57) **CLAIM**

We claim the ornamental design for a vehicle, as shown and described.

**DESCRIPTION**

FIG. 1 is a front perspective view of a first embodiment of the claimed design;  
 FIG. 2 is a front view of the embodiment of FIG. 1;  
 FIG. 3 is a rear view of the embodiment of FIG. 1;  
 FIG. 4 is a right side view of the embodiment of FIG. 1;  
 FIG. 5 is a left side view of the embodiment of FIG. 1;  
 FIG. 6 is a top view of the embodiment of FIG. 1;  
 FIG. 7 is a bottom view of the embodiment of FIG. 1;  
 FIG. 8 is a front perspective view of a second embodiment of the claimed design;  
 FIG. 9 is a front view of the embodiment of FIG. 8;  
 FIG. 10 is a rear view of the embodiment of FIG. 8;  
 FIG. 11 is a right side view of the embodiment of FIG. 8;  
 FIG. 12 is a left side view of the embodiment of FIG. 8;  
 FIG. 13 is a top view of the embodiment of FIG. 8; and,  
 FIG. 14 is a bottom view of the embodiment of FIG. 8.

**1 Claim, 12 Drawing Sheets**



(56)

References Cited

U.S. PATENT DOCUMENTS

7,472,914 B2 1/2009 Anderson et al.  
D596,076 S \* 7/2009 Kelley ..... D12/15  
D596,077 S \* 7/2009 Bryant ..... D12/15  
D604,671 S \* 11/2009 Rupp ..... D12/93  
D611,880 S \* 3/2010 Voss ..... D12/15  
7,756,621 B2 7/2010 Pillar et al.  
D631,800 S \* 2/2011 Peltola ..... D12/163  
D645,380 S \* 9/2011 Beigel ..... D12/93  
D647,001 S \* 10/2011 Rajderkar ..... D12/15  
8,333,390 B2 12/2012 Linsmeier et al.  
D685,294 S \* 7/2013 Hanson ..... D12/93  
D699,627 S \* 2/2014 Tang ..... D12/14  
D703,101 S \* 4/2014 deNatale ..... D12/86  
D711,786 S \* 8/2014 Brzustowicz ..... D12/96  
D716,693 S \* 11/2014 Higashikawa ..... D12/14  
9,045,014 B1 6/2015 Verhoff et al.  
D738,784 S \* 9/2015 Tunis ..... D12/12  
D758,253 S \* 6/2016 Brzustowicz ..... D12/96  
9,371,044 B1 \* 6/2016 Sadri ..... B60R 13/005  
D767,444 S \* 9/2016 Chun ..... D12/14  
D771,202 S \* 11/2016 Gan ..... D21/552  
D771,203 S \* 11/2016 Gan ..... D21/552  
9,494,170 B2 11/2016 Hou  
D780,627 S \* 3/2017 Jhant ..... D12/14  
D781,661 S \* 3/2017 Smith ..... D7/606  
D782,935 S \* 4/2017 Knox ..... D12/87  
D784,199 S \* 4/2017 Dunshee ..... D12/14  
D784,870 S \* 4/2017 Ito ..... D12/173  
9,656,640 B1 5/2017 Verhoff et al.  
9,707,869 B1 \* 7/2017 Messina ..... B62D 63/025  
D826,785 S \* 8/2018 Ito ..... D12/93  
D830,253 S \* 10/2018 Anderson ..... D12/173

D836,487 S \* 12/2018 Bollinger ..... D12/91  
D837,702 S \* 1/2019 Gander ..... D12/173  
D841,697 S \* 2/2019 Niclot ..... D15/28  
D841,743 S \* 2/2019 Barajas ..... D21/548  
D842,386 S \* 3/2019 Barajas ..... D21/548  
D843,281 S \* 3/2019 Gander ..... B62D 21/152  
D12/173  
D852,674 S \* 7/2019 Wilcox ..... D12/87  
2004/0002794 A1 1/2004 Pillar et al.  
2004/0245039 A1 12/2004 Braun et al.  
2005/0234622 A1 10/2005 Pillar et al.  
2006/0192361 A1 8/2006 Anderson et al.  
2006/0249325 A1 11/2006 Braun et al.  
2007/0234896 A1 \* 10/2007 Joynt ..... F41H 7/042  
89/36.09  
2008/0114513 A1 5/2008 Pillar et al.  
2008/0166947 A1 \* 7/2008 Bernstein ..... A63H 17/008  
446/464  
2009/0033044 A1 2/2009 Linsmeier  
2009/0174158 A1 7/2009 Anderson et al.  
2012/0312607 A1 \* 12/2012 Joynt ..... F41H 5/023  
180/54.1  
2015/0232269 A1 8/2015 Hou  
2017/0080350 A1 \* 3/2017 Allmendinger ..... A63H 17/262  
2017/0253221 A1 9/2017 Verhoff et al.

FOREIGN PATENT DOCUMENTS

GB 2 400 589 2/2005  
GB 2 400 590 3/2005  
HK 1088583 10/2007  
WO WO-2004/110849 12/2004  
WO WO-2006/093835 9/2006

\* cited by examiner

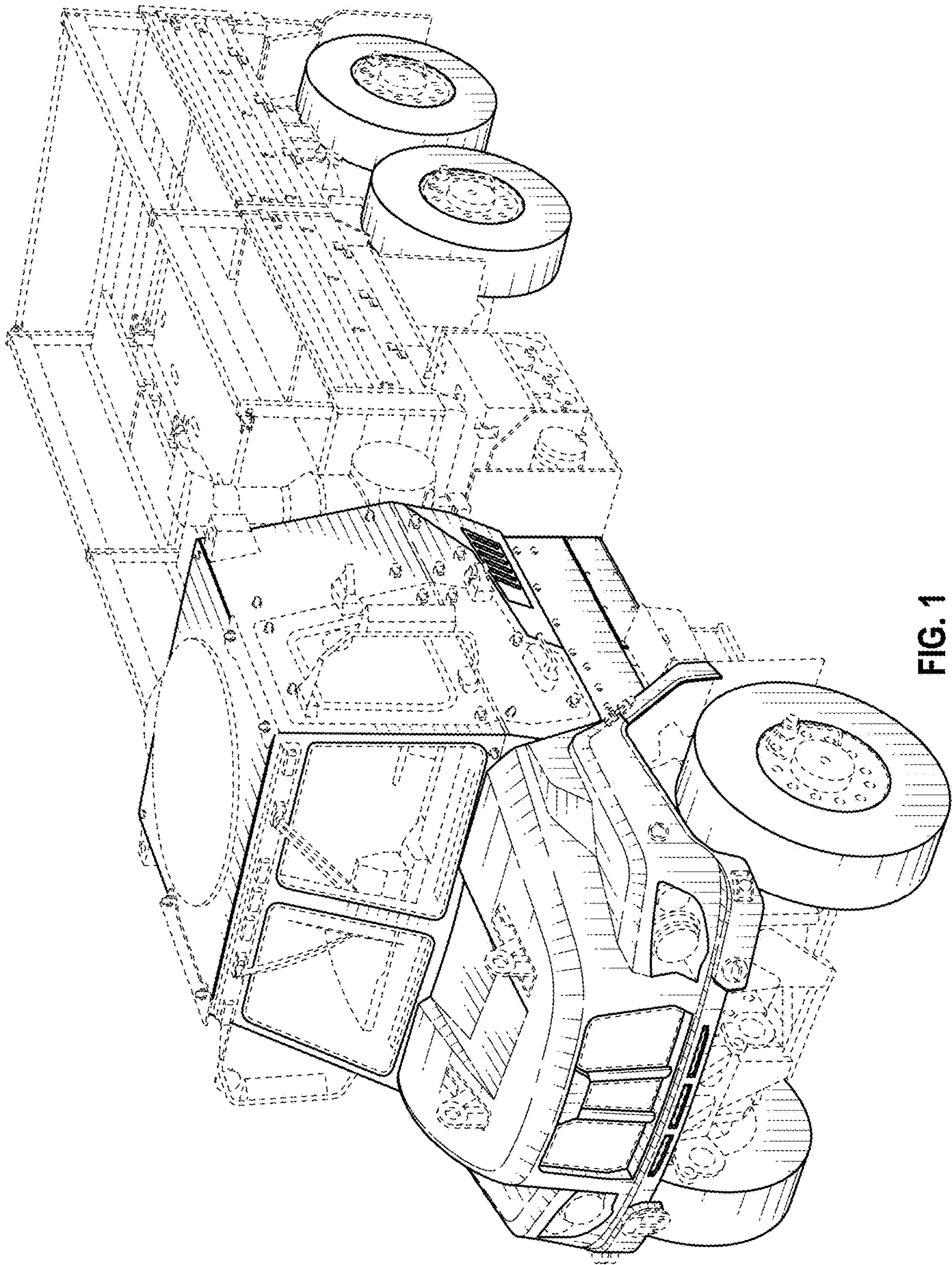


FIG. 1

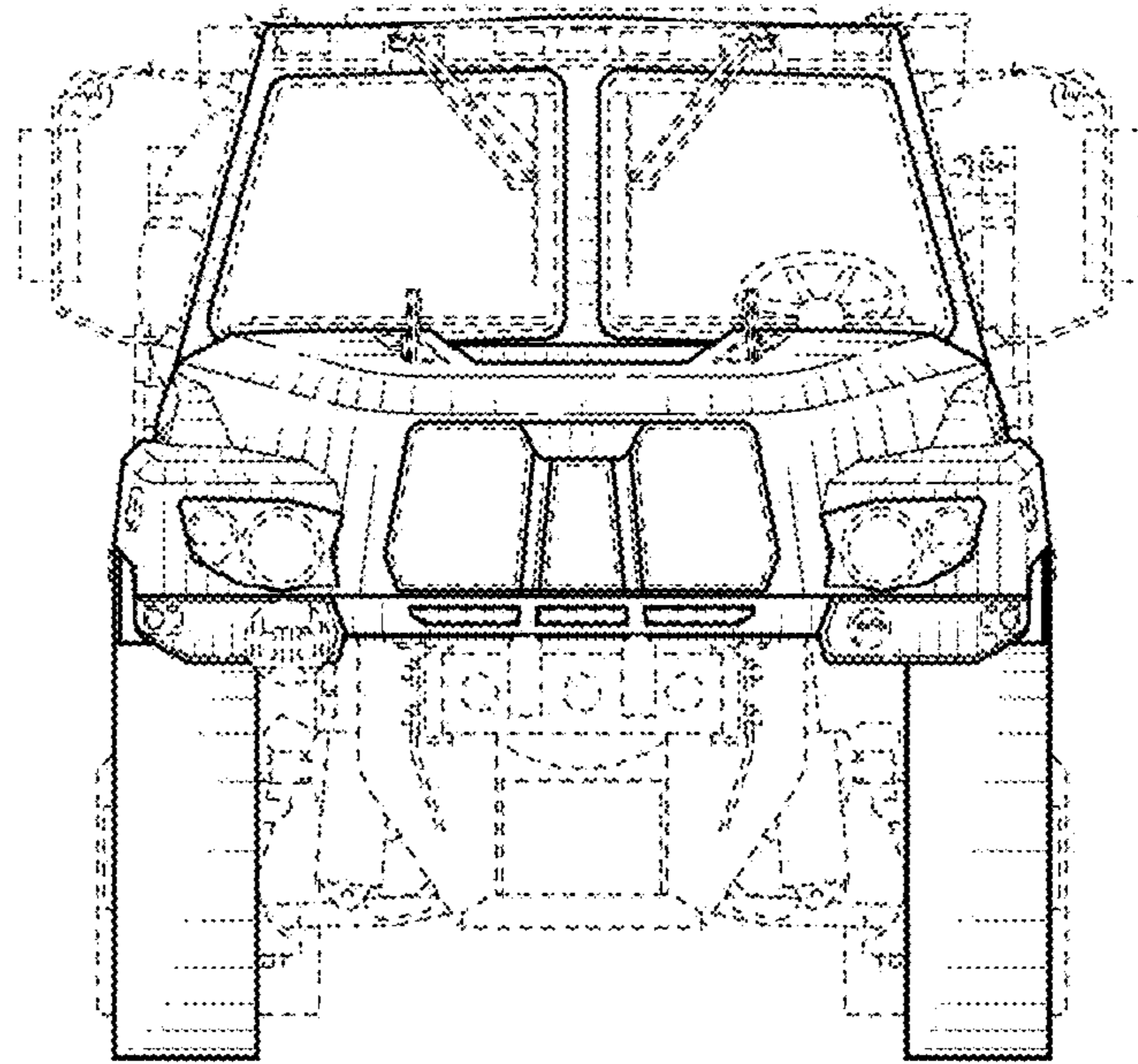


FIG. 2

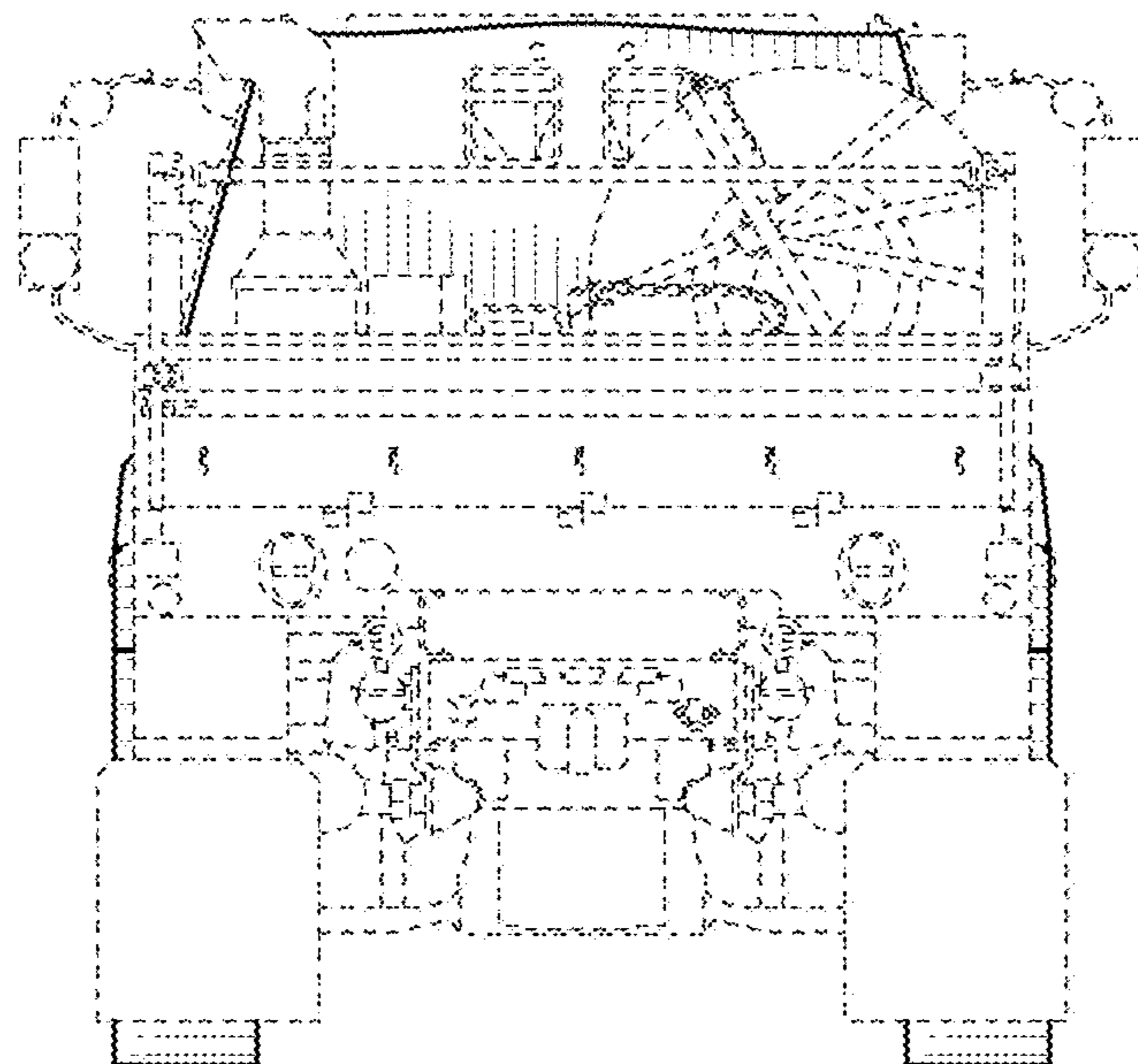


FIG. 3

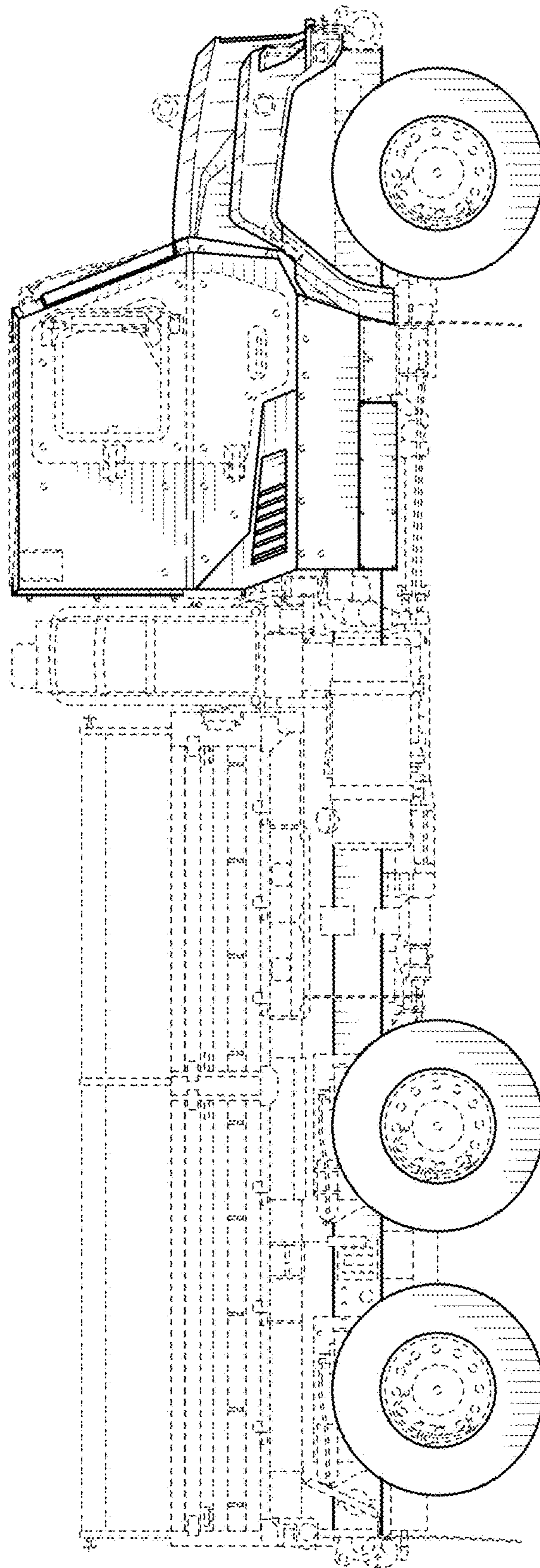


FIG. 4

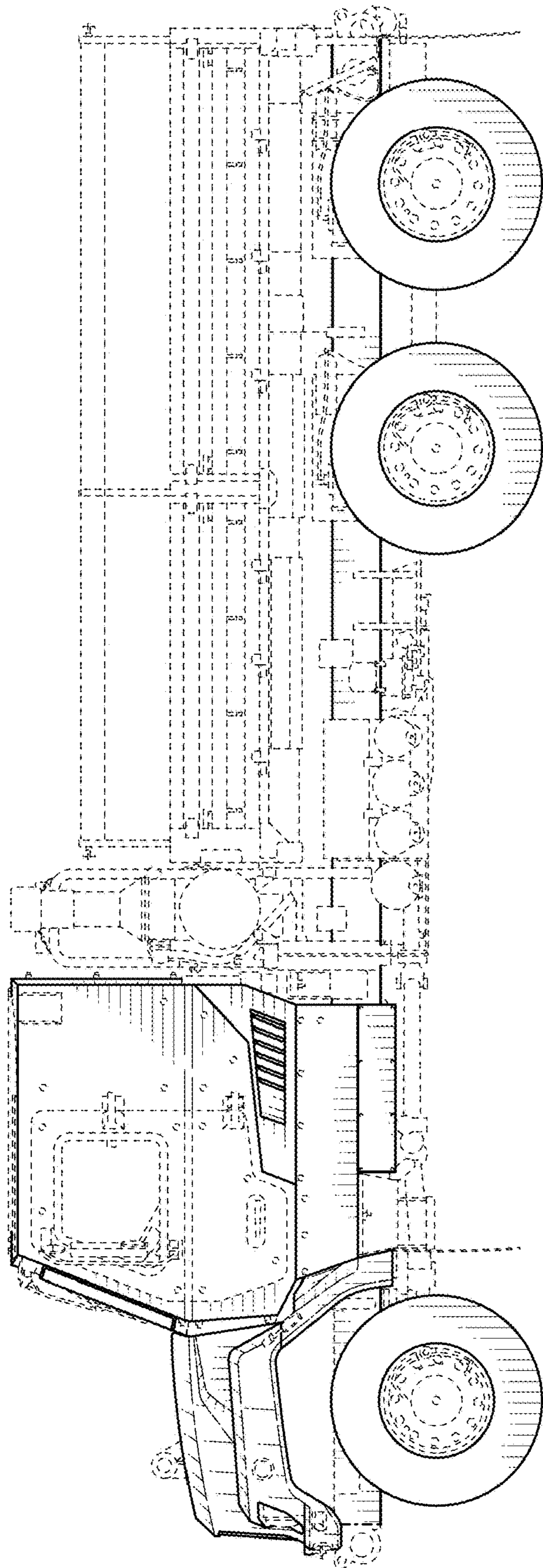


FIG. 5

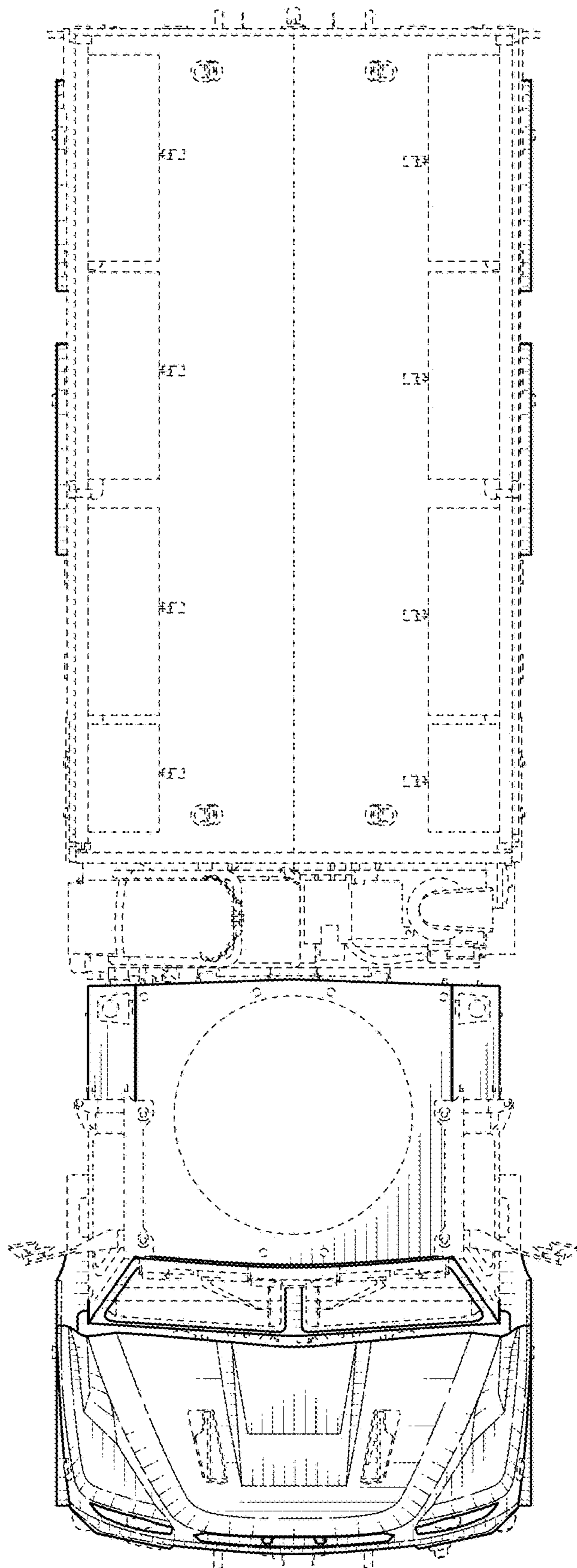


FIG. 6

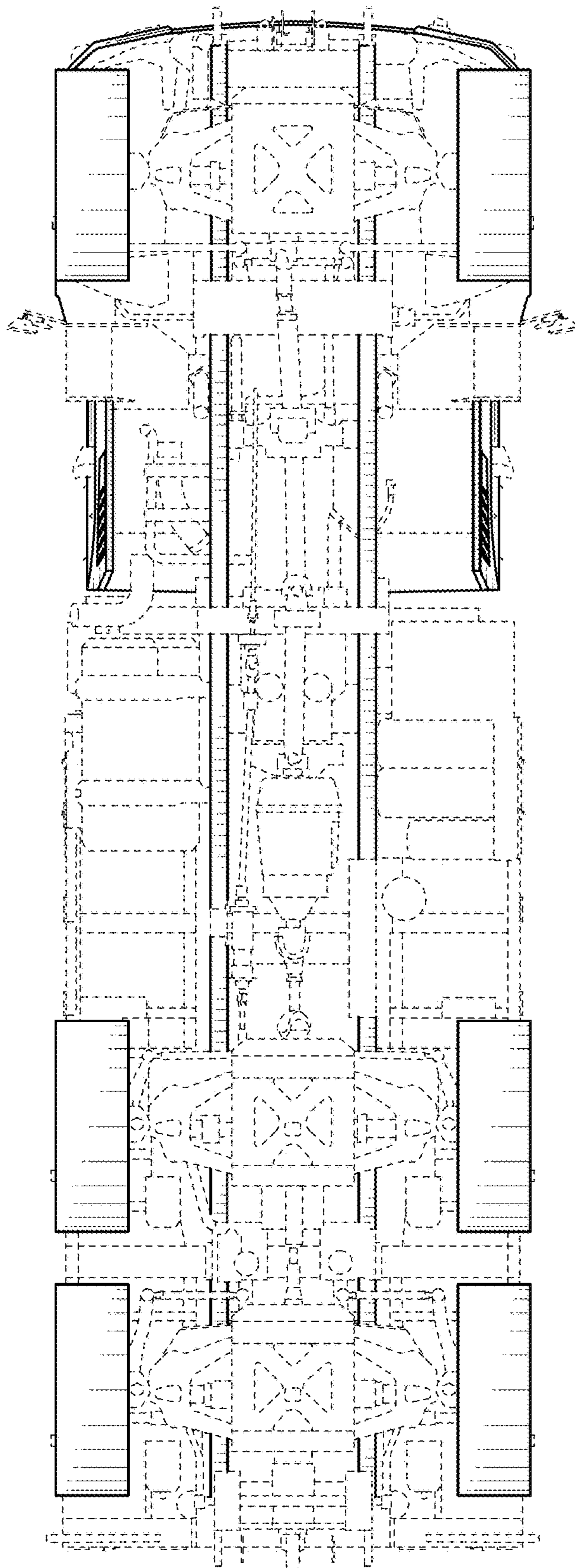


FIG. 7



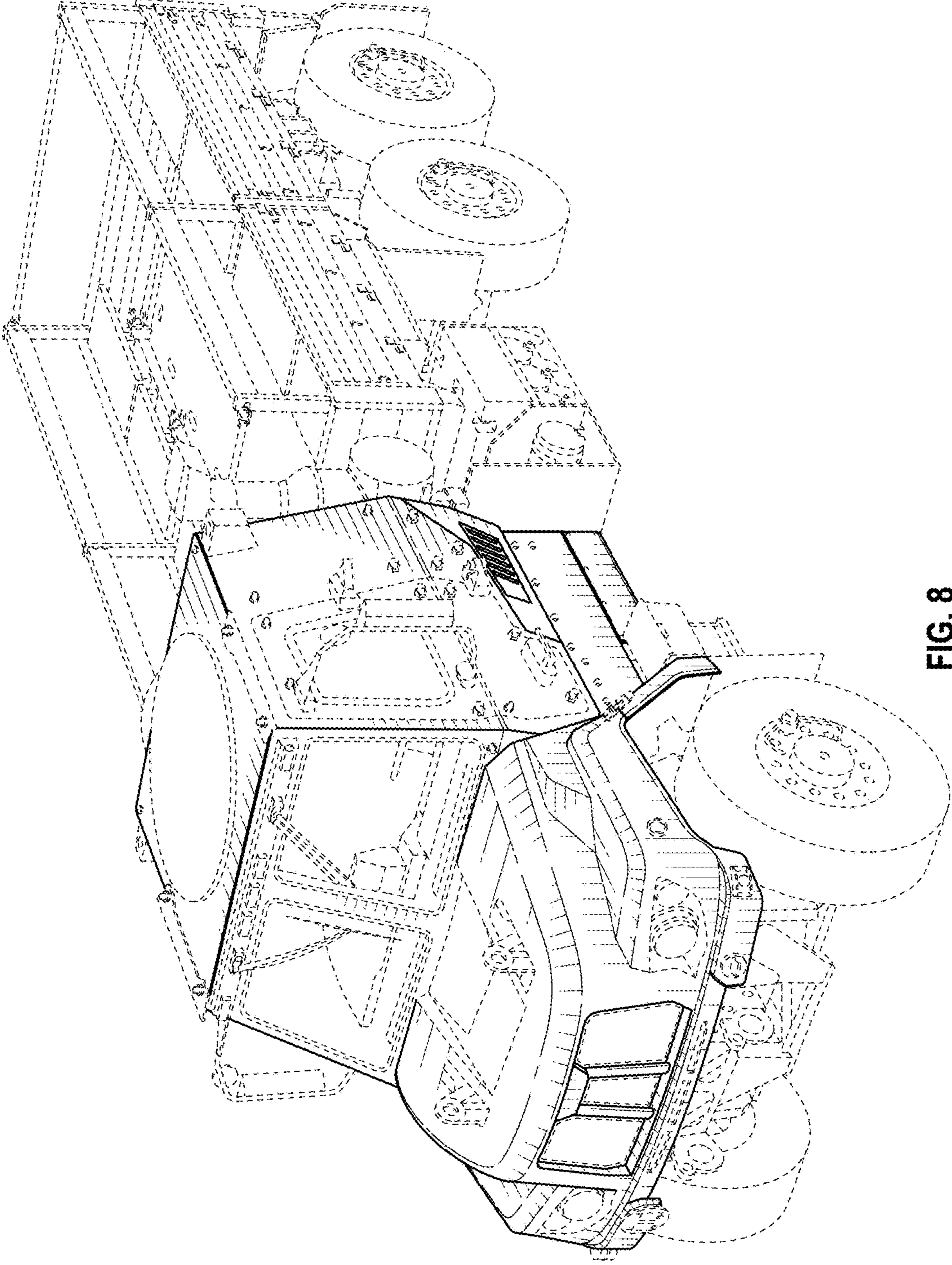


FIG. 8

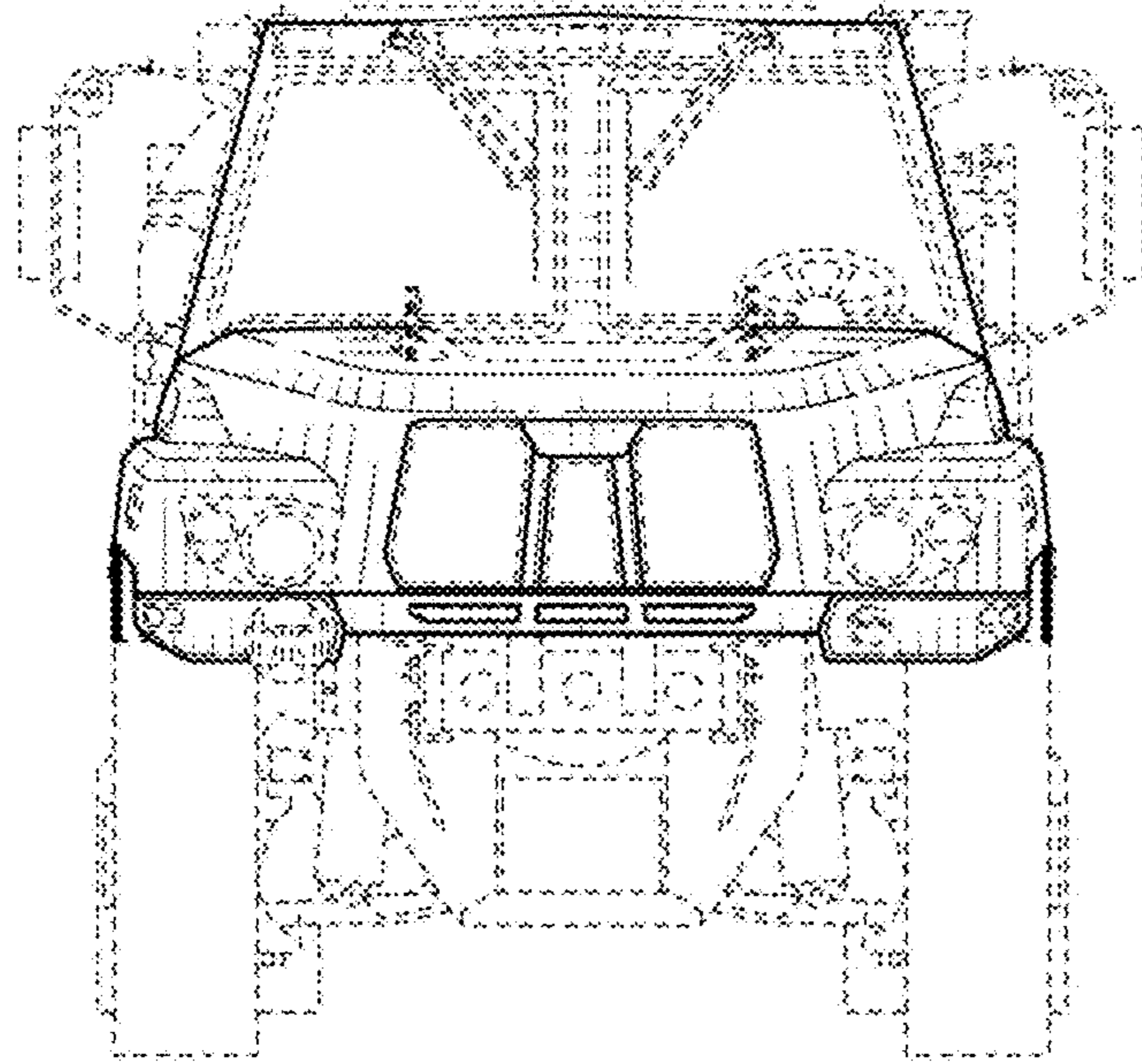


FIG. 9

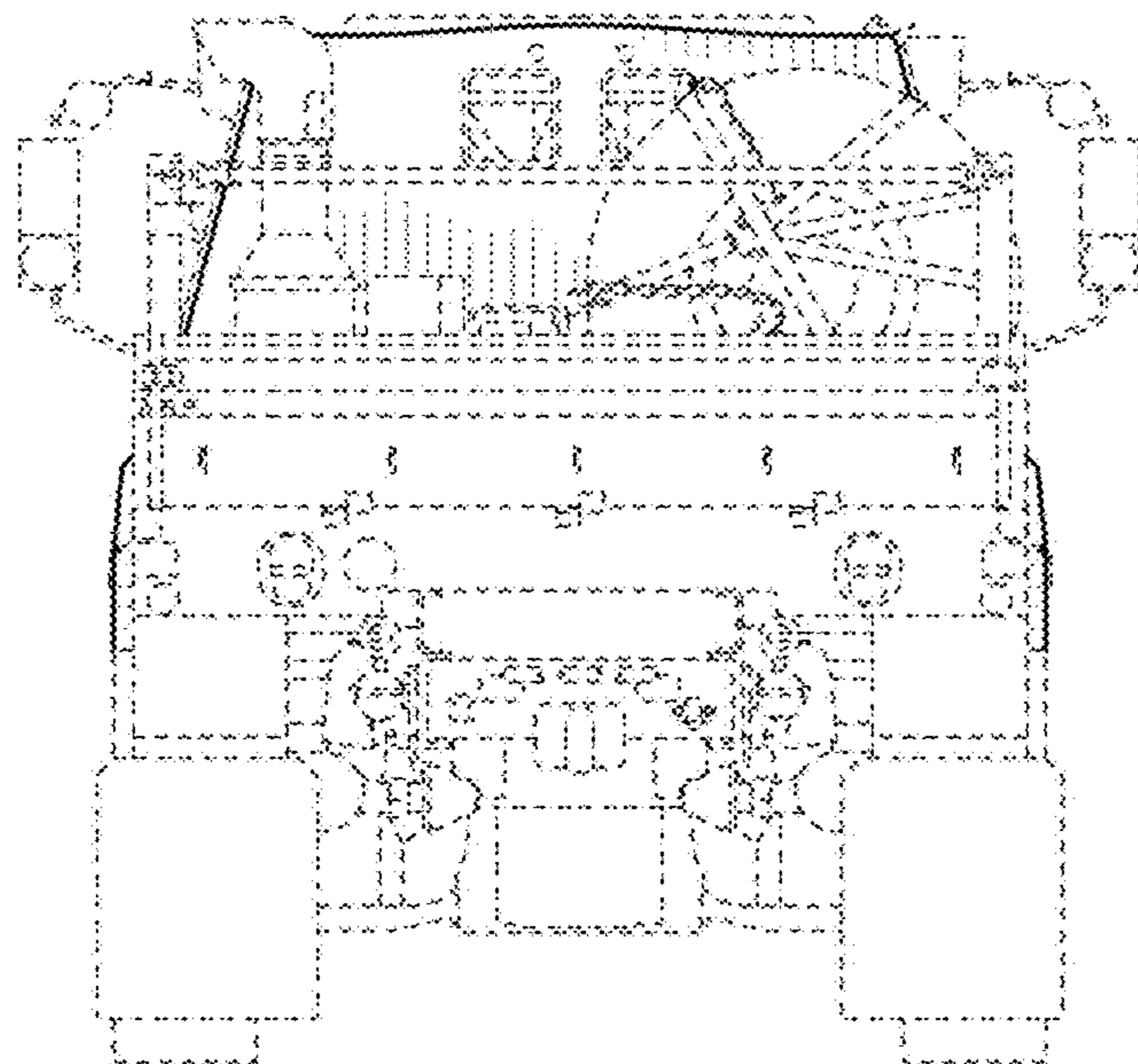


FIG. 10

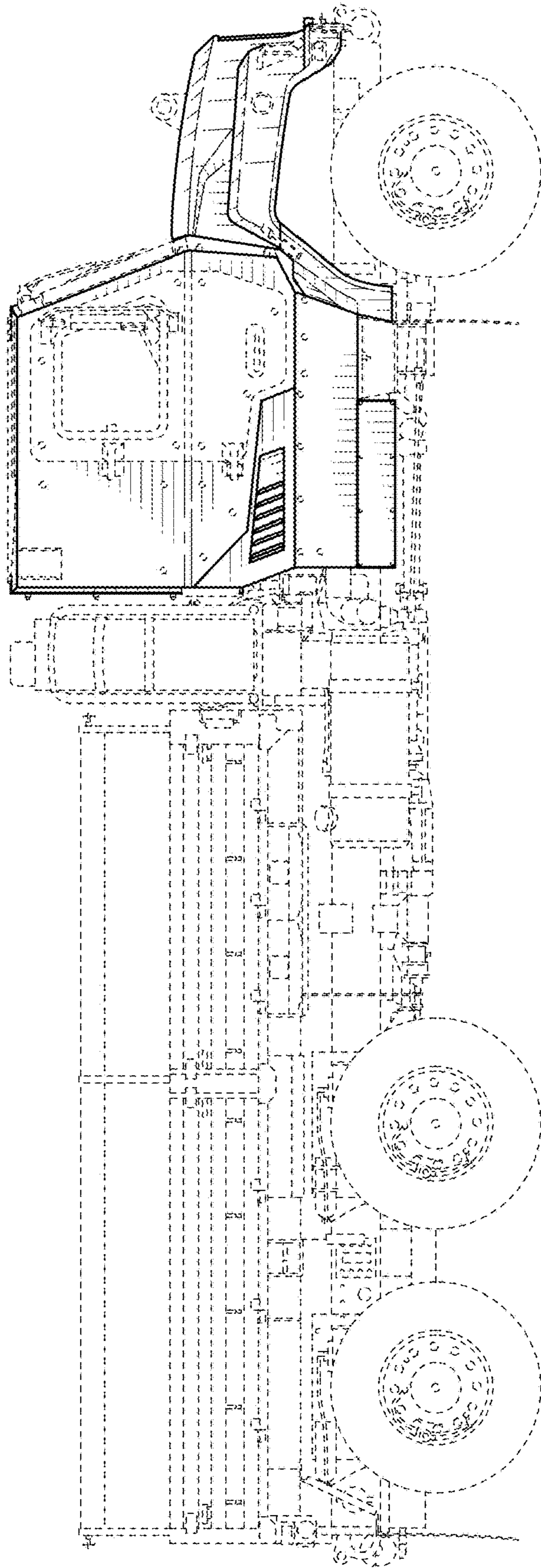


FIG. 11

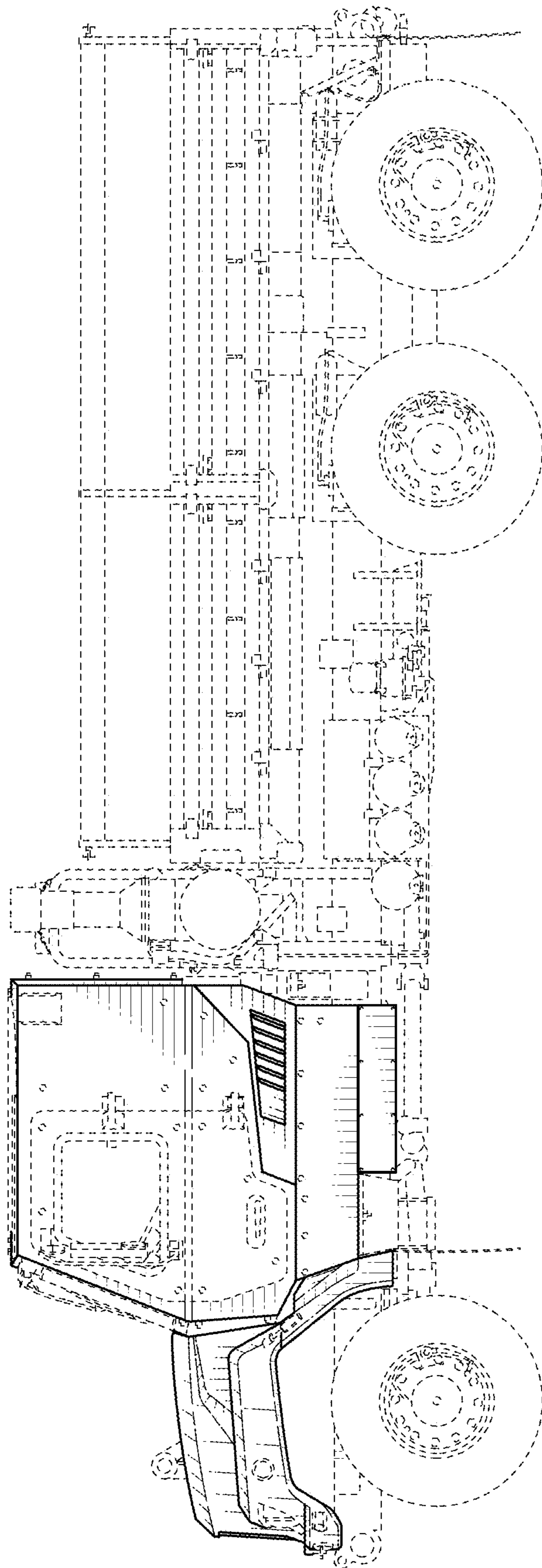


FIG. 12

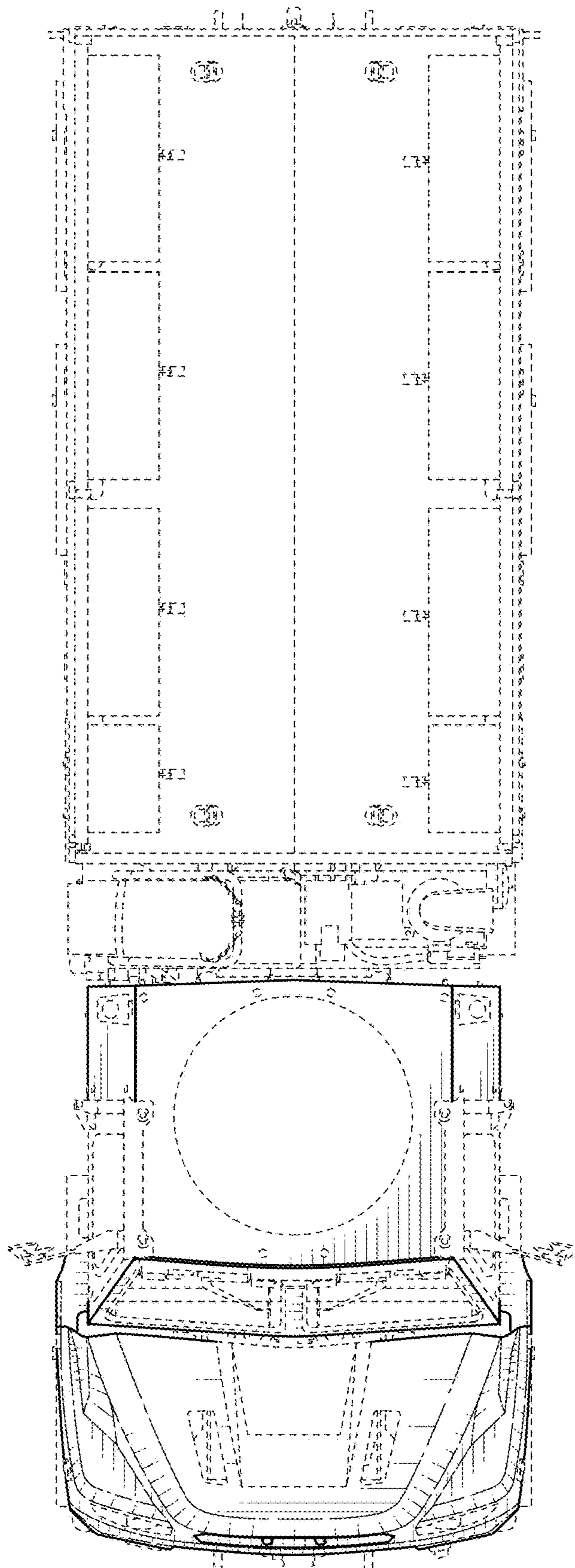


FIG. 13

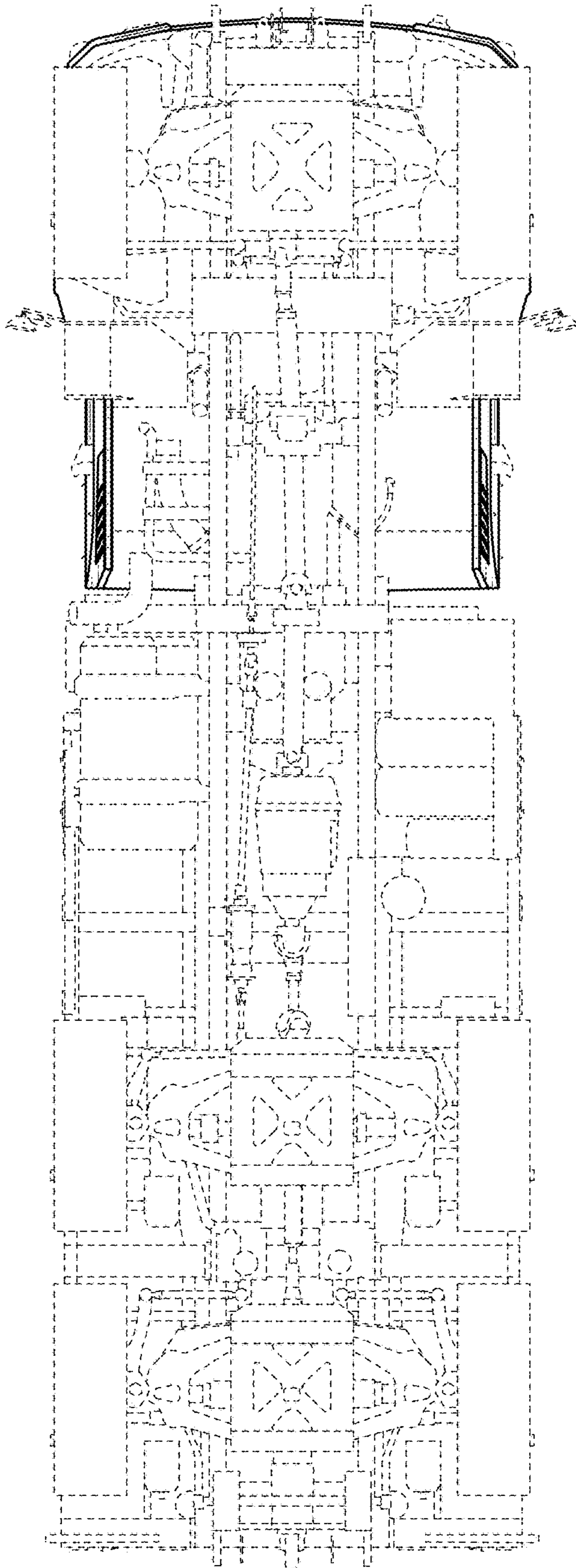


FIG. 14