



US00D864018S

(12) **United States Design Patent** (10) **Patent No.:** **US D864,018 S**
Fishman (45) **Date of Patent:** **** Oct. 22, 2019**

(54) **PLANTER**
(71) Applicant: **Nosson Fishman**, Lakewood, NJ (US)
(72) Inventor: **Nosson Fishman**, Lakewood, NJ (US)
(**) Term: **15 Years**
(21) Appl. No.: **29/656,447**
(22) Filed: **Jul. 12, 2018**
(51) **LOC (12) Cl.** **11-02**
(52) **U.S. Cl.**
USPC **D11/148**
(58) **Field of Classification Search**
USPC D3/304, 309; D6/403–405, 556–558,
D6/512, 672, 675, 675.1, 717; D7/640,
D7/641; D9/500, 549, 428, 532, 907;
D11/143–156, 164
CPC A01G 9/02; A01G 9/021; A01G 9/022;
A01G 9/025; A01G 9/026; A01G 9/028;
A01G 9/029; A01G 9/0291; A01G
9/0293; A01G 9/0295; A01G 9/0297;
A01G 9/0299; A01G 9/04; A01G 9/045
See application file for complete search history.

D284,360 S * 6/1986 Pollitz D11/143
4,967,918 A * 11/1990 Long A47G 19/2205
215/385
D316,836 S * 5/1991 Kistner D11/156
D320,413 S * 10/1991 Dietterich D19/85
D328,574 S * 8/1992 Perkins D11/148
D452,150 S * 12/2001 Viner D9/428
6,393,761 B1 * 5/2002 Deacon A01G 5/06
47/41.01
D470,731 S * 2/2003 Hipgrave D8/1
D484,404 S * 12/2003 Porzio D9/723
D536,172 S * 2/2007 Baez D3/304
D602,694 S * 10/2009 Alvarez D3/315
D631,683 S * 2/2011 Ash D6/558
D641,654 S * 7/2011 Hawkinson D11/144
D641,655 S * 7/2011 Hawkinson D11/144
D657,164 S * 4/2012 Grimaldi D32/53
D694,472 S * 11/2013 Farrell D28/76

(Continued)

Primary Examiner — Elizabeth A. Albert
(74) *Attorney, Agent, or Firm* — The Van Winkle Law Firm; William G. Heedy

(57) **CLAIM**

The ornamental design for a planter, as shown and described.

DESCRIPTION

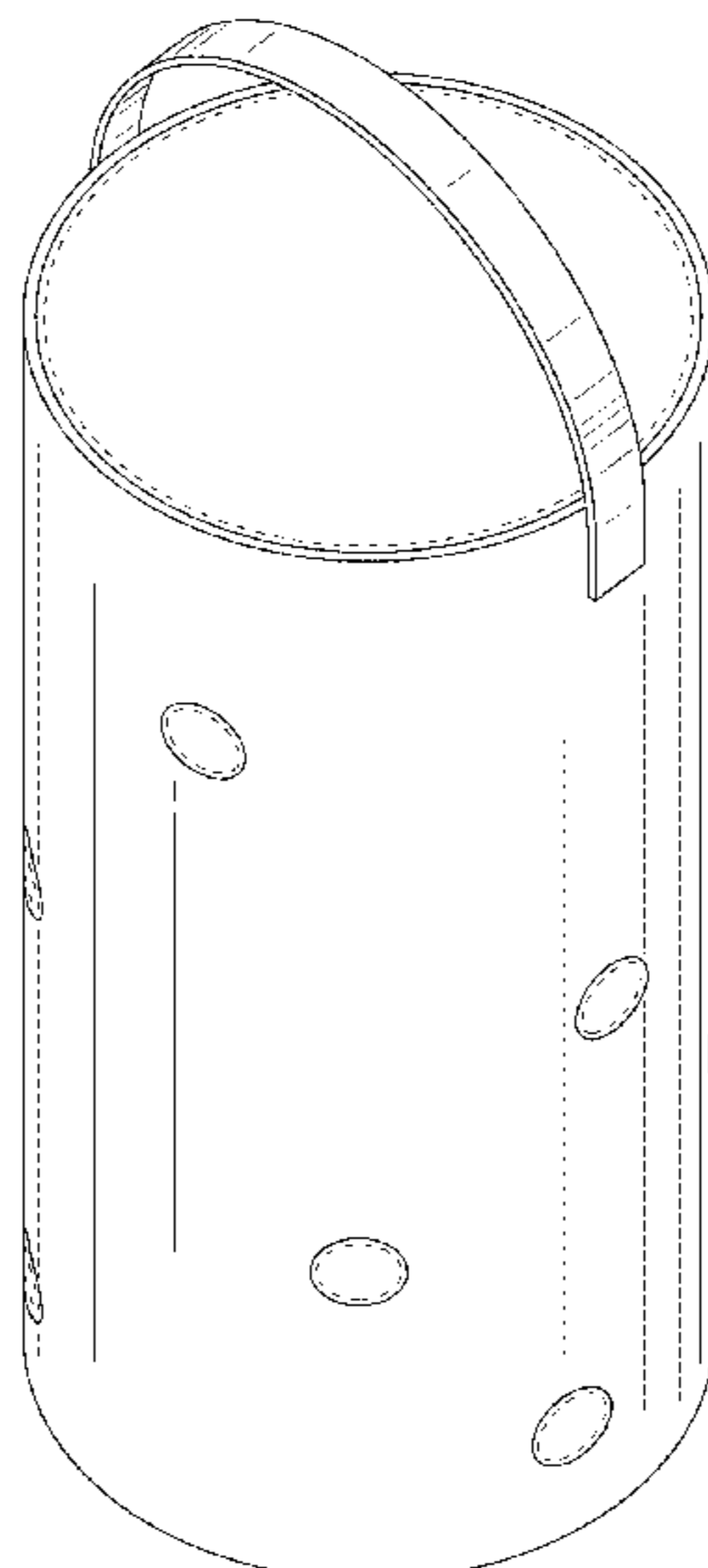
FIG. 1 is a perspective view of a planter showing my new design;
FIG. 2 is a perspective view thereof;
FIG. 3 is a front elevational view thereof;
FIG. 4 is a rear elevational view thereof;
FIG. 5 is a right side elevational view thereof;
FIG. 6 is a left side elevational view thereof;
FIG. 7 is a top plan view thereof; and,
FIG. 8 is a bottom plan view thereof.
The broken lines showing the inside of the planter are included for the purpose of illustrating portions that form no part of the claimed design.

1 Claim, 8 Drawing Sheets

(56) **References Cited**

U.S. PATENT DOCUMENTS

1,923,677 A * 8/1933 Lovett, Jr. A01G 23/04
47/74
1,959,139 A * 5/1934 Otwell A01G 9/0293
47/77
2,580,879 A * 1/1952 Belokin, Jr. A47J 47/18
220/760
D182,369 S * 3/1958 Marchesini et al. D21/472
4,454,684 A * 6/1984 O'Hare A01G 9/022
47/82
4,461,118 A * 7/1984 Fertig A47G 7/07
428/23
D277,646 S * 2/1985 Jorgensen D9/454
D278,614 S * 4/1985 Moss D11/143



(56)

References Cited

U.S. PATENT DOCUMENTS

D698,641 S * 2/2014 Theisen D9/418
D722,113 S * 2/2015 Knight D20/8
D761,509 S * 7/2016 Cohen D32/37
D790,778 S * 6/2017 Green D30/124
2002/0005013 A1* 1/2002 Taylor A01G 9/022
47/66.6
2011/0126454 A1* 6/2011 Sperzel A01G 9/026
47/65.8
2015/0013609 A1* 1/2015 Weder A01K 67/0332
119/6.5
2017/0172071 A1* 6/2017 Shaffer A01G 13/0243

* cited by examiner

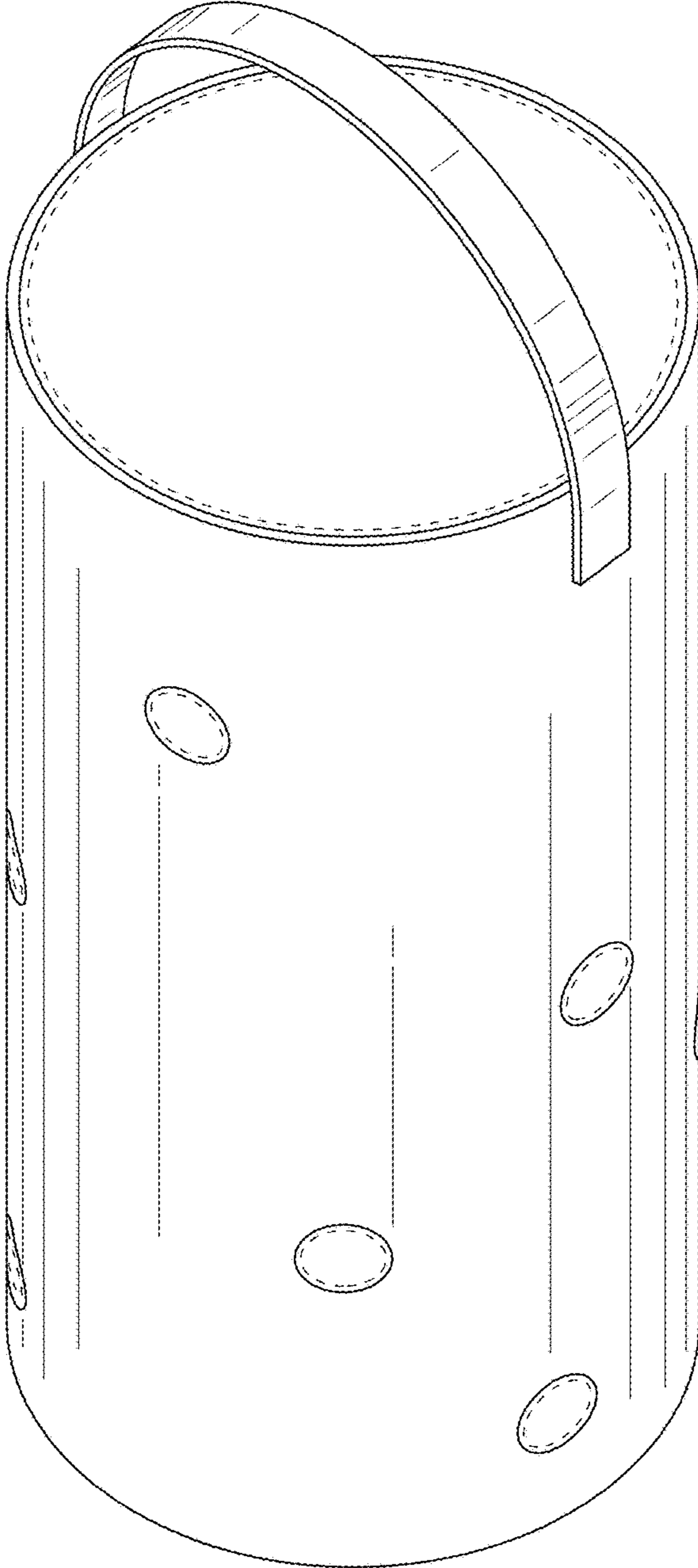


FIG. 1

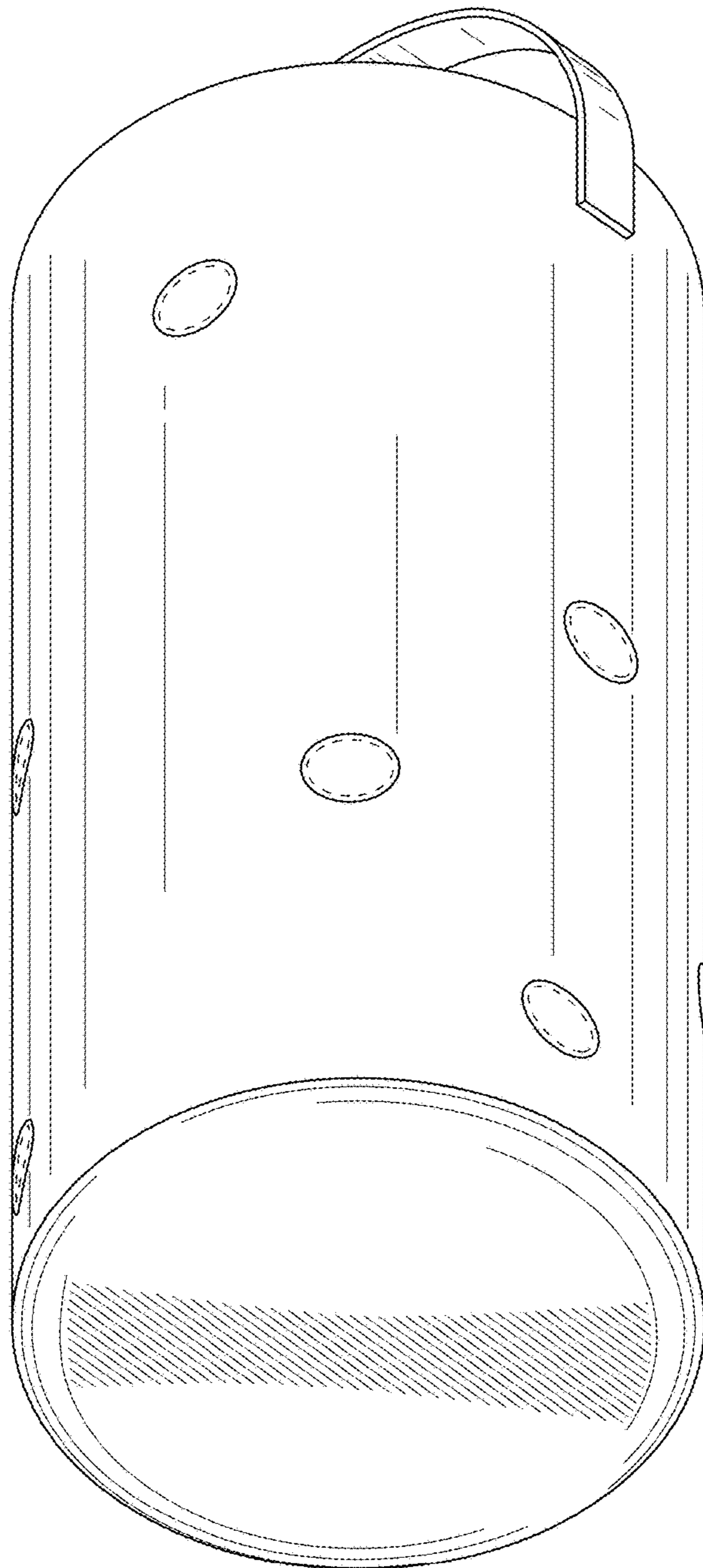


FIG. 2

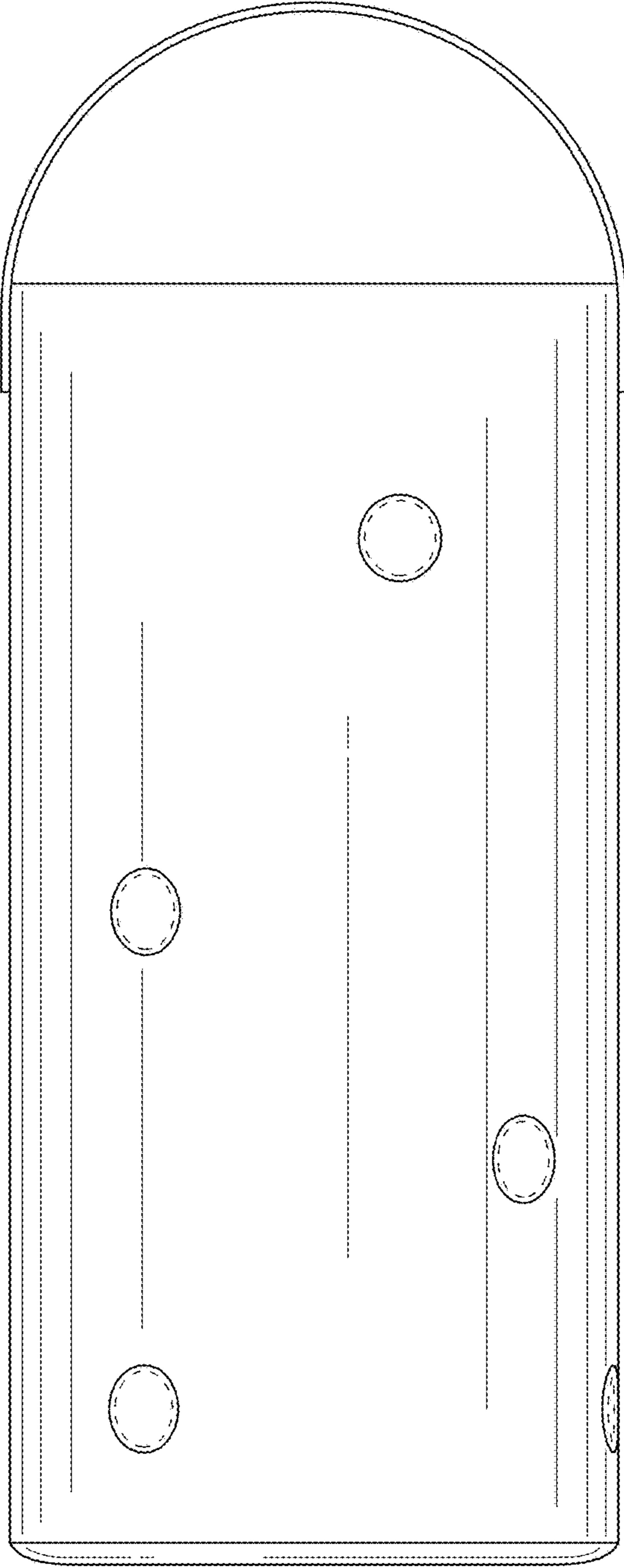


FIG. 3

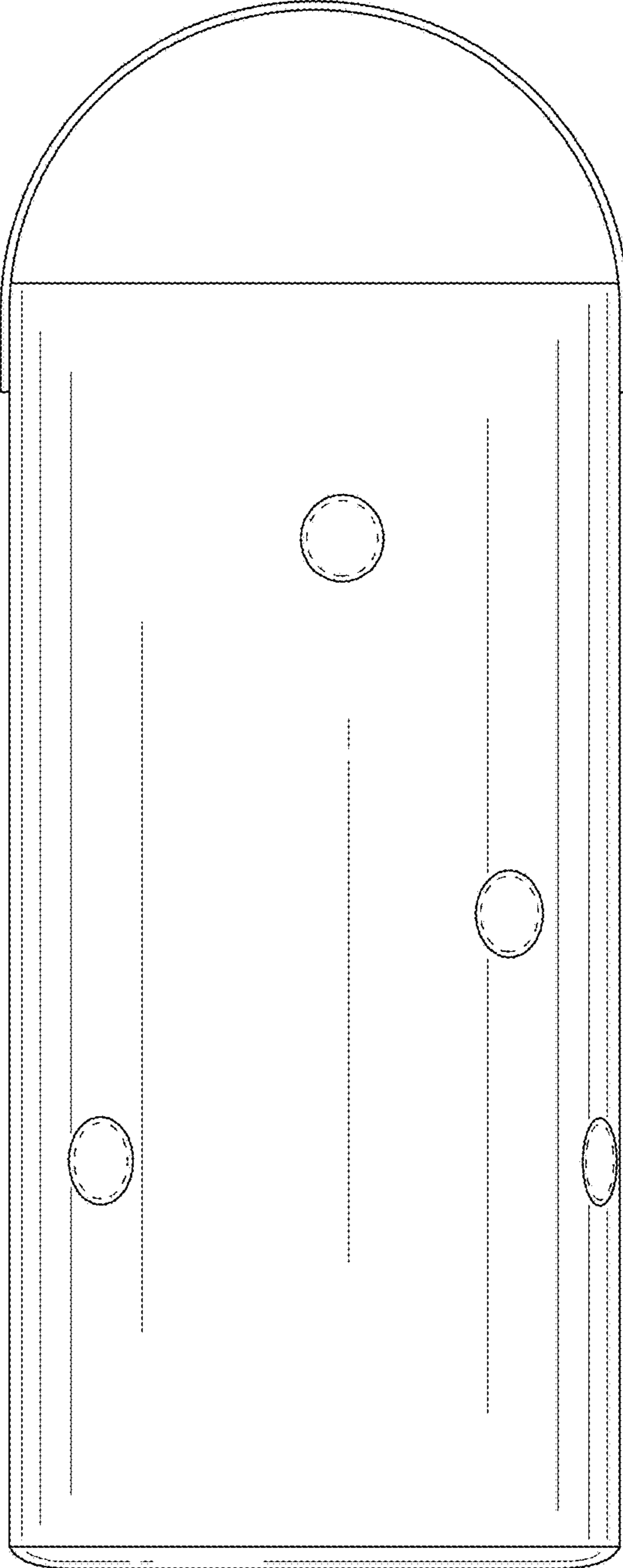


FIG. 4

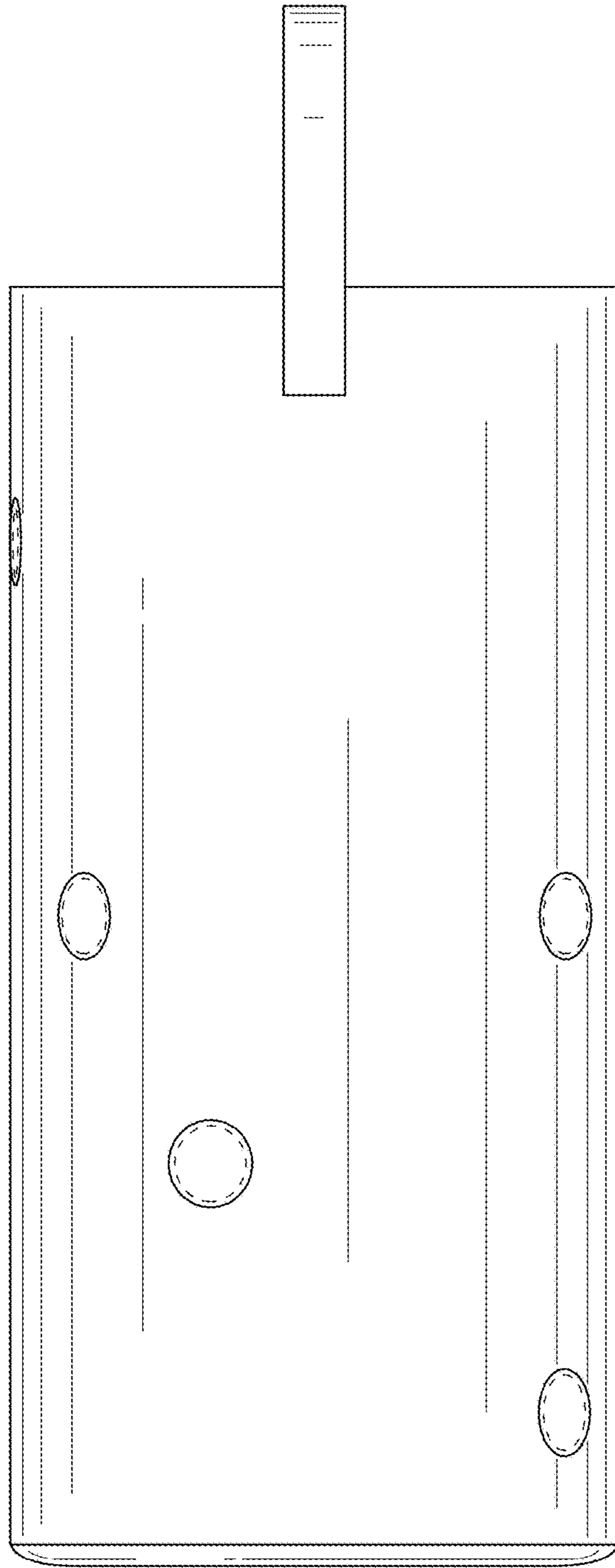


FIG. 5

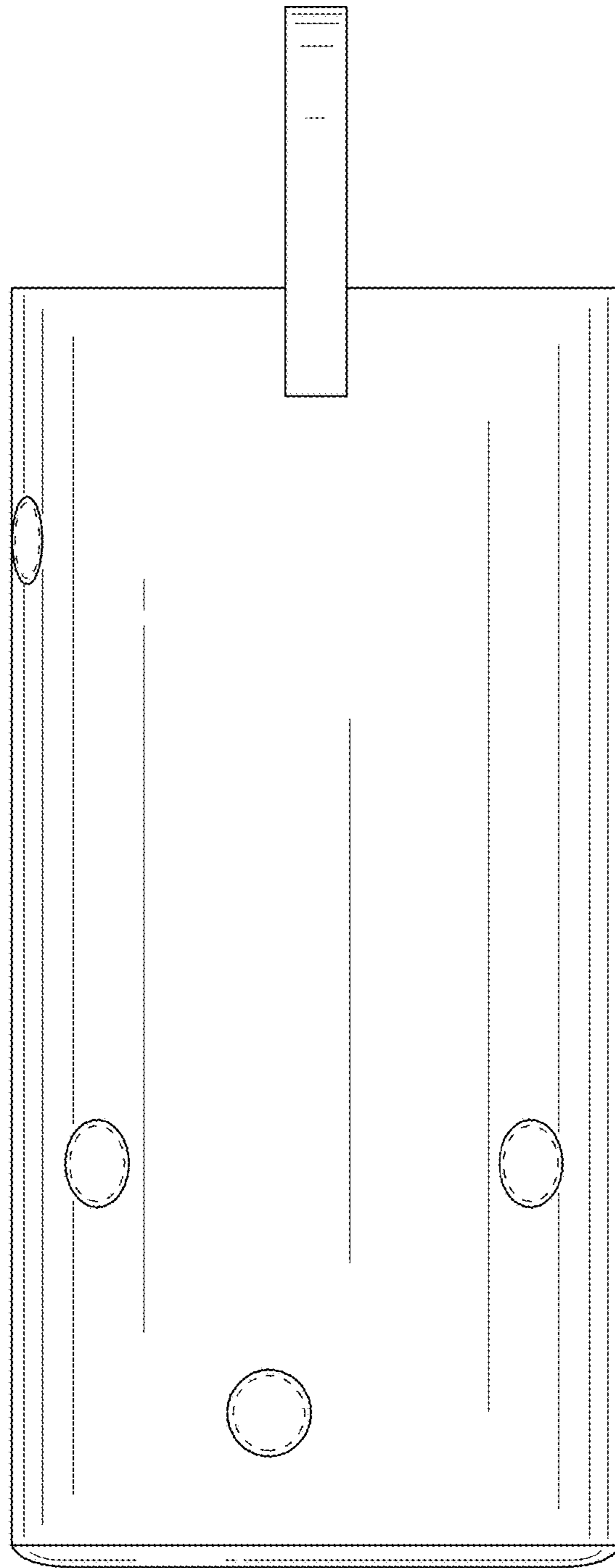


FIG. 6

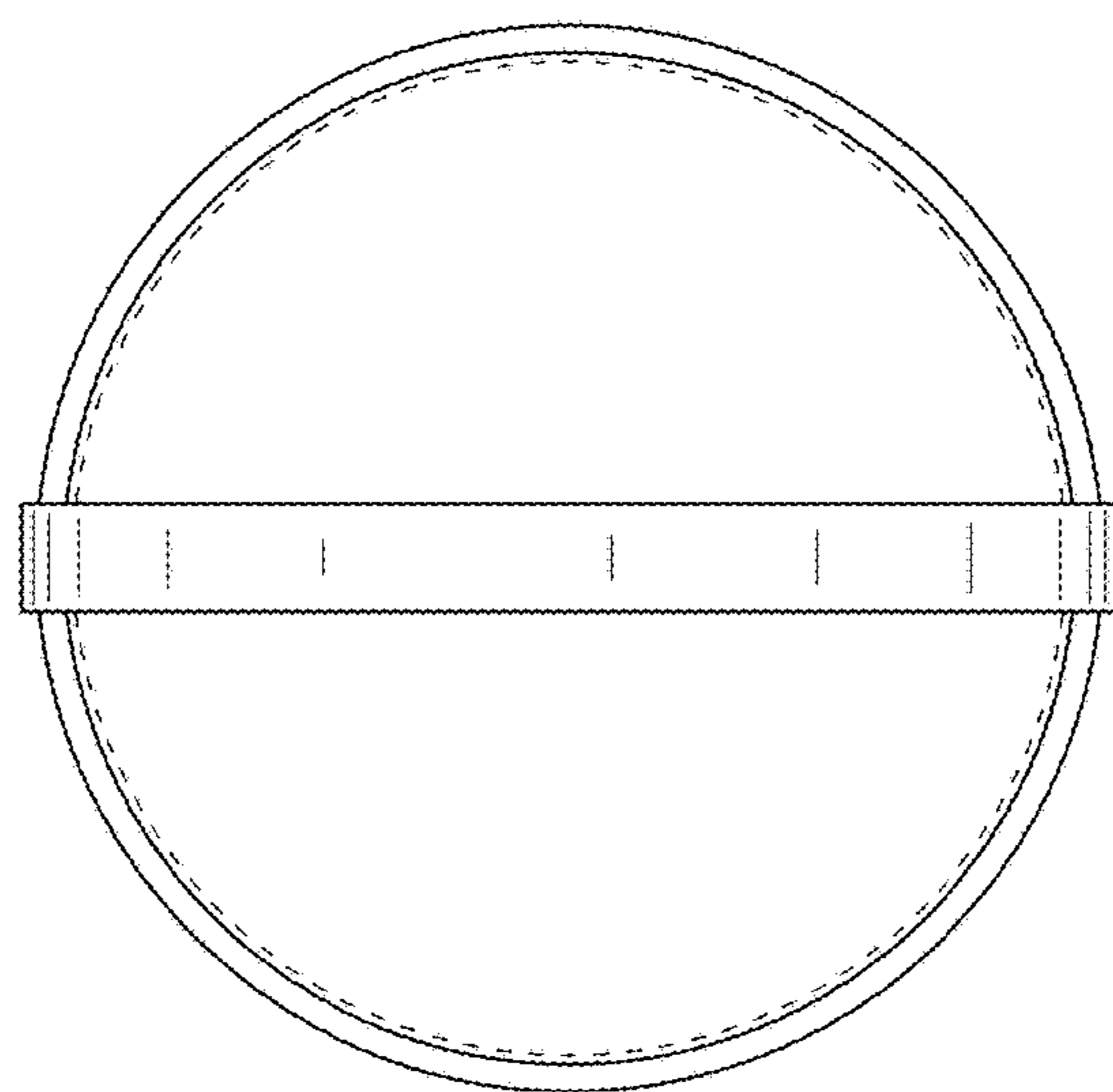


FIG. 7

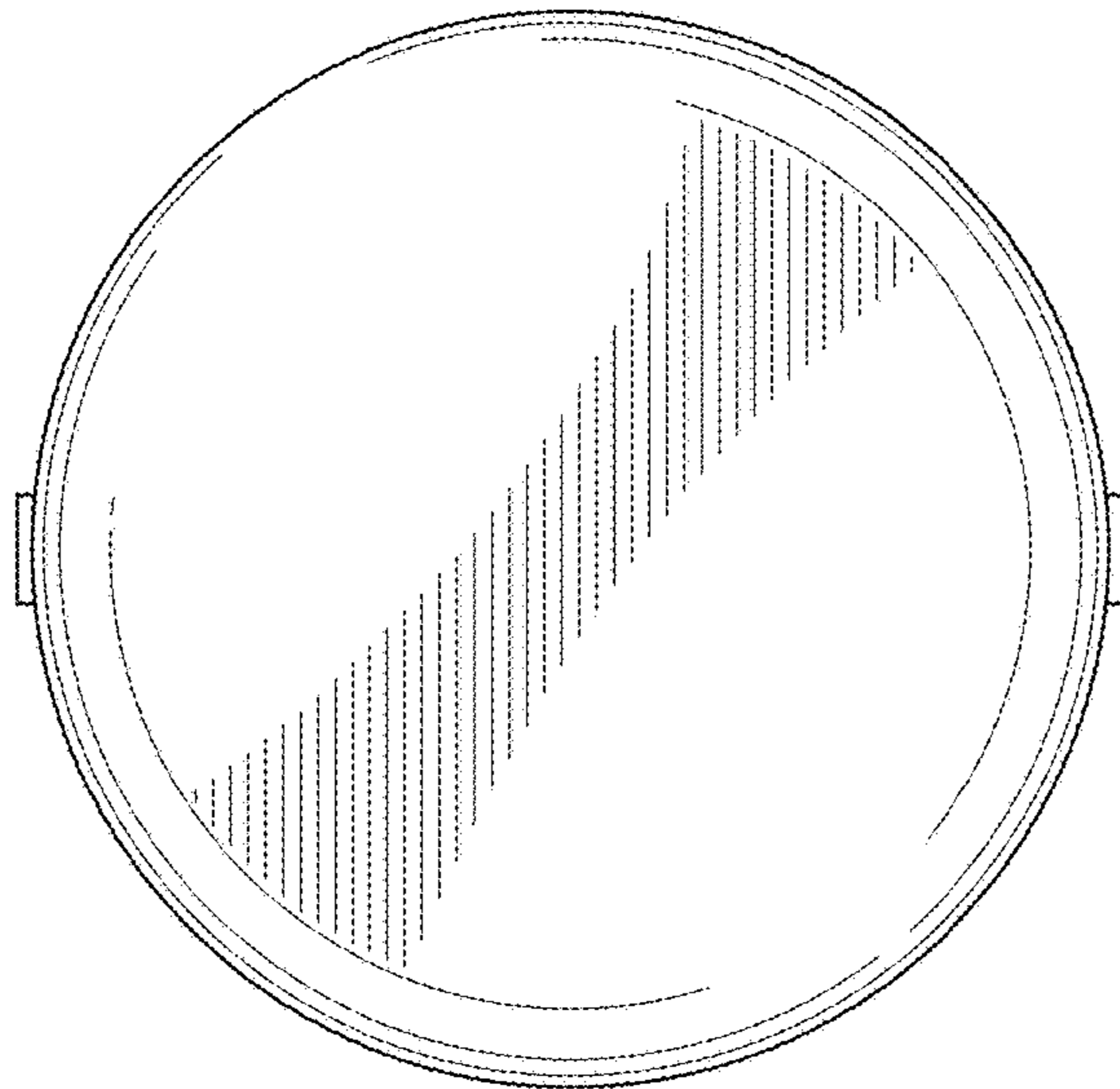


FIG. 8