



US00D864017S

(12) **United States Design Patent** (10) **Patent No.:** **US D864,017 S**
Fishman (45) **Date of Patent:** **** Oct. 22, 2019**

(54) **PLANTER**
(71) Applicant: **Nosson Fishman**, Lakewood, NJ (US)
(72) Inventor: **Nosson Fishman**, Lakewood, NJ (US)
(**) Term: **15 Years**
(21) Appl. No.: **29/656,445**
(22) Filed: **Jul. 12, 2018**
(51) **LOC (12) Cl.** **11-02**
(52) **U.S. Cl.**
USPC **D11/148**
(58) **Field of Classification Search**
USPC D3/304, 309; D6/403-405, 556-558,
D6/512, 672, 675, 675.1, 717; D7/640,
D7/641; D9/500, 549, 428, 532, 907;
D11/143-156, 164
CPC A01G 9/02; A01G 9/021; A01G 9/022;
A01G 9/025; A01G 9/026; A01G 9/028;
A01G 9/029; A01G 9/0291; A01G
9/0293; A01G 9/0295; A01G 9/0297;
A01G 9/0299; A01G 9/04; A01G 9/045
See application file for complete search history.

(56) **References Cited**
U.S. PATENT DOCUMENTS
1,923,677 A * 8/1933 Lovett, Jr. A01G 23/04
47/74
2,079,177 A * 5/1937 Membrino B65D 3/12
220/662
2,580,879 A * 1/1952 Belokin, Jr. A47J 47/18
220/760
D182,369 S * 3/1958 Marchesini et al. D21/472
D277,646 S * 2/1985 Jorgensen D9/454
D278,614 S * 4/1985 Moss D11/143
D284,360 S * 6/1986 Pollitz D11/143
D300,294 S * 3/1989 Pozzi D7/603
D320,413 S * 10/1991 Dietterich D19/85
D398,663 S * 9/1998 Frelander D21/532

D452,150 S * 12/2001 Viner D9/428
6,378,247 B1 * 4/2002 Takahashi A01G 9/02
47/75
D484,404 S * 12/2003 Porzio D9/723
D536,172 S * 2/2007 Baez D3/304
D602,694 S * 10/2009 Alvarez D3/315
D641,654 S * 7/2011 Hawkinson D11/144
D641,655 S * 7/2011 Hawkinson D11/144
D657,164 S * 4/2012 Grimaldi D32/53
D663,217 S * 7/2012 Bodkin D9/428
D693,686 S * 11/2013 Rosenberg D9/416
D698,641 S * 2/2014 Theisen D9/418
D702,590 S * 4/2014 Moniz D11/144
D722,113 S * 2/2015 Knight D20/8
D761,509 S * 7/2016 Cohen D32/37
2002/0074256 A1 * 6/2002 Koeman B65D 85/505
206/423

(Continued)

Primary Examiner — Elizabeth A. Albert
(74) *Attorney, Agent, or Firm* — The Van Winkle Law
Firm; William G. Heedy

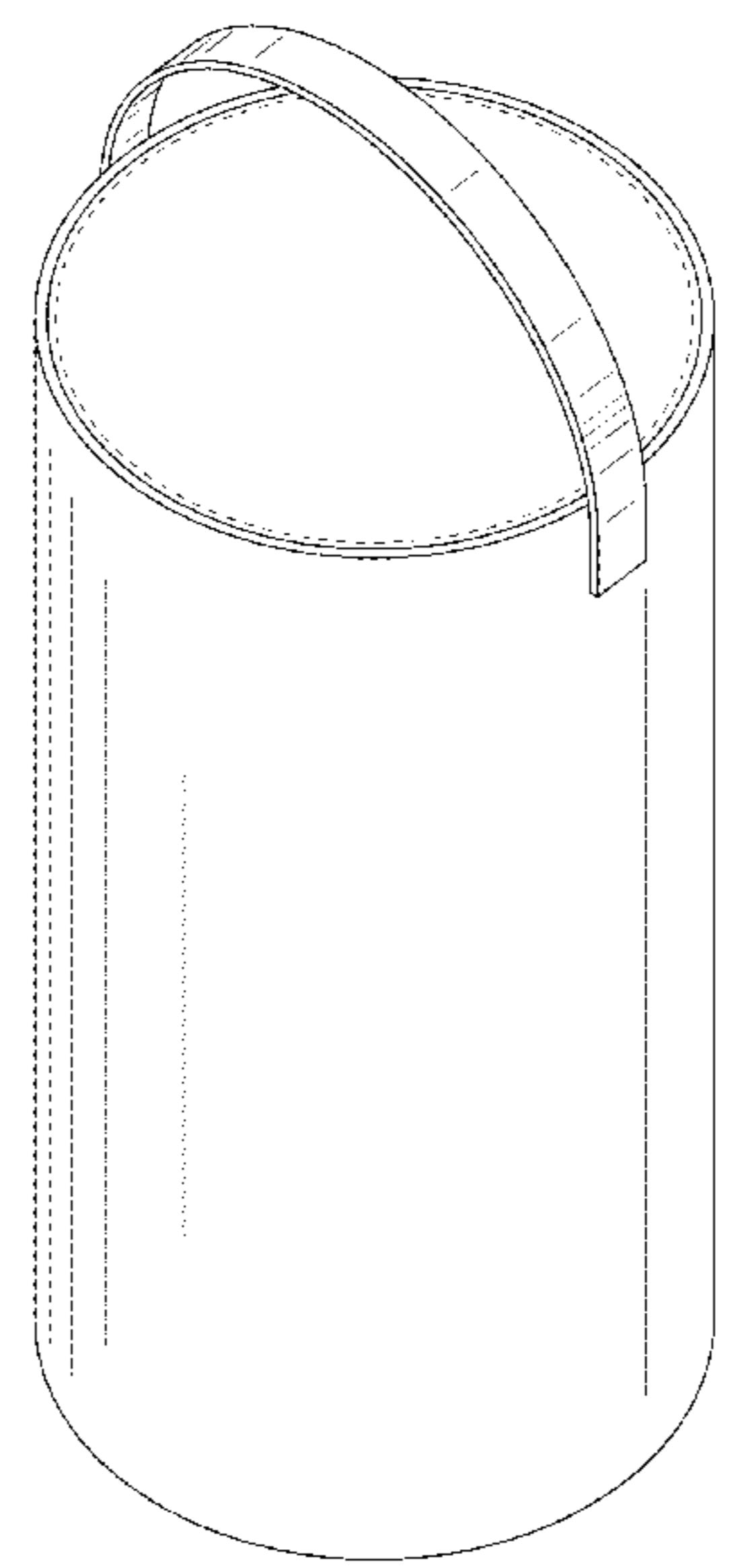
(57) **CLAIM**

The ornamental design for a planter, as shown and described.

DESCRIPTION

FIG. 1 is a perspective view of a planter showing my new design;
FIG. 2 is a perspective view thereof;
FIG. 3 is a front elevational view thereof, which is identical to the rear elevational view;
FIG. 4 is a right side elevational view thereof, which is identical to the left side elevational view;
FIG. 5 is a top plan view thereof; and,
FIG. 6 is a bottom plan view thereof.
The broken lines showing the inside of the planter are included for the purpose of illustrating a portion that forms no part of the claimed design.

1 Claim, 6 Drawing Sheets



(56)

References Cited

U.S. PATENT DOCUMENTS

2011/0126454 A1* 6/2011 Sperzel A01G 9/026
47/65.8
2017/0172071 A1* 6/2017 Shaffer A01G 13/0243

* cited by examiner

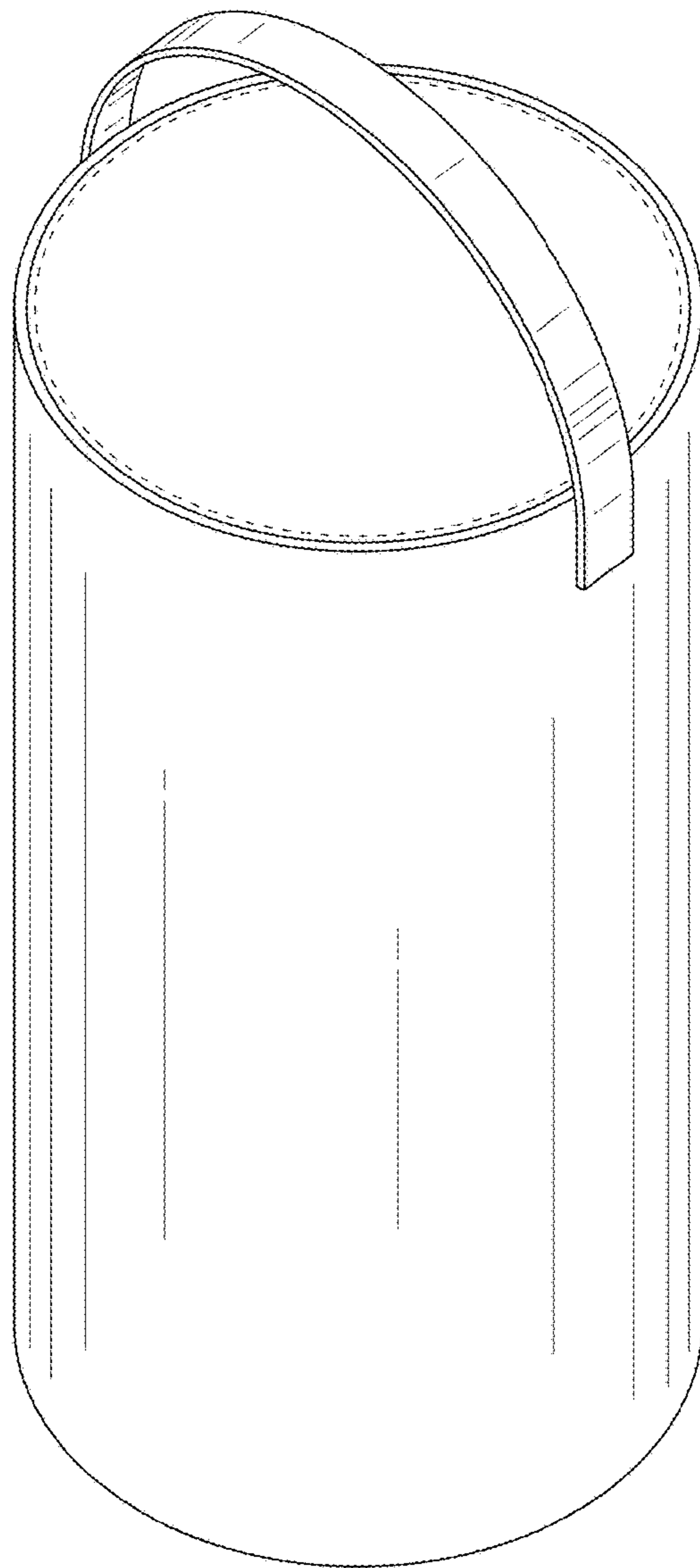


FIG. 1

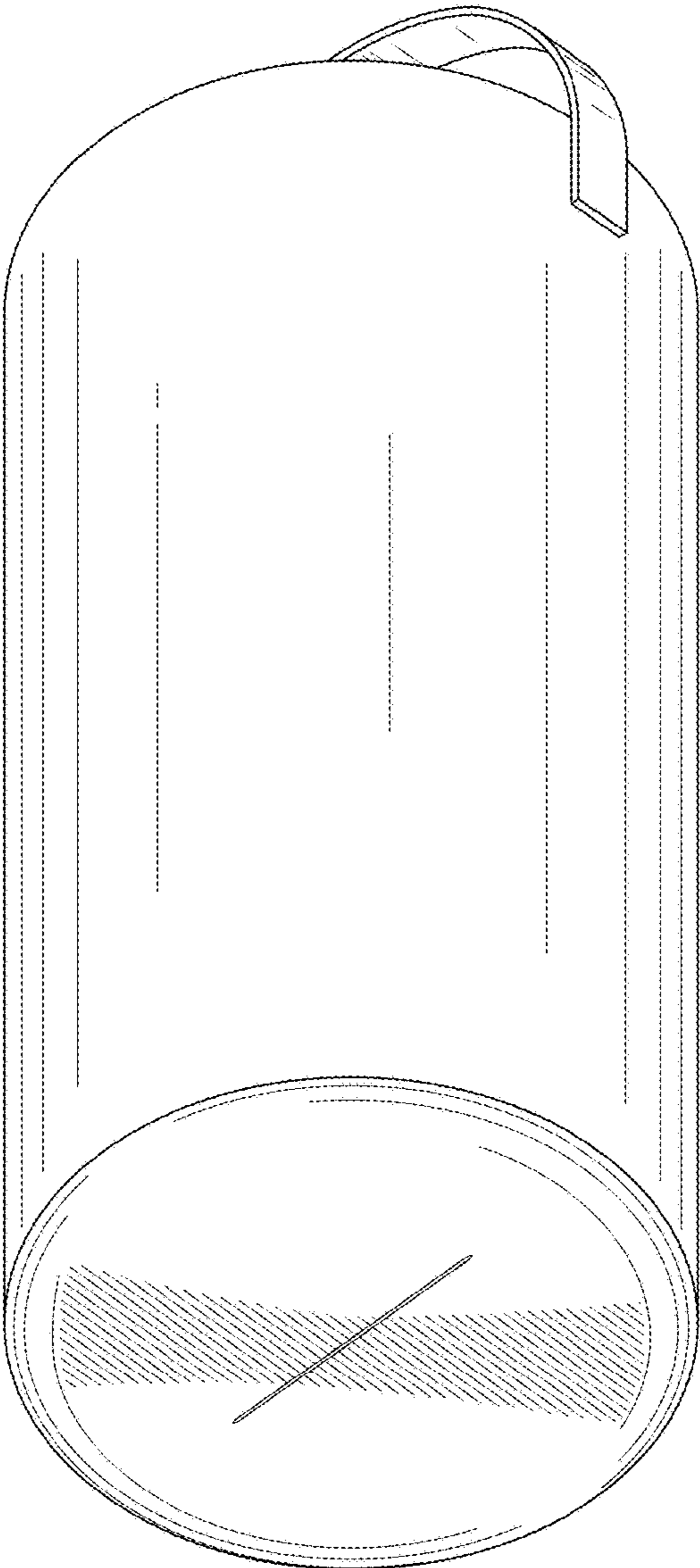


FIG. 2

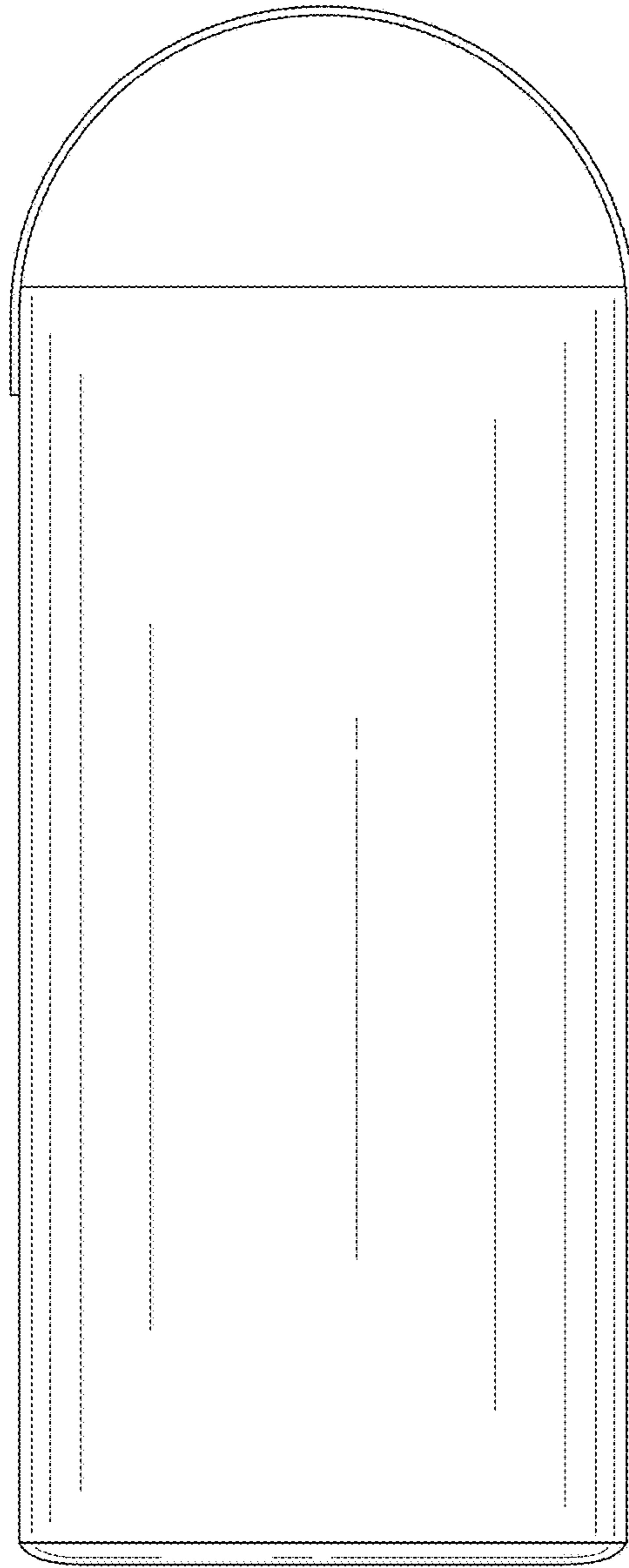


FIG. 3

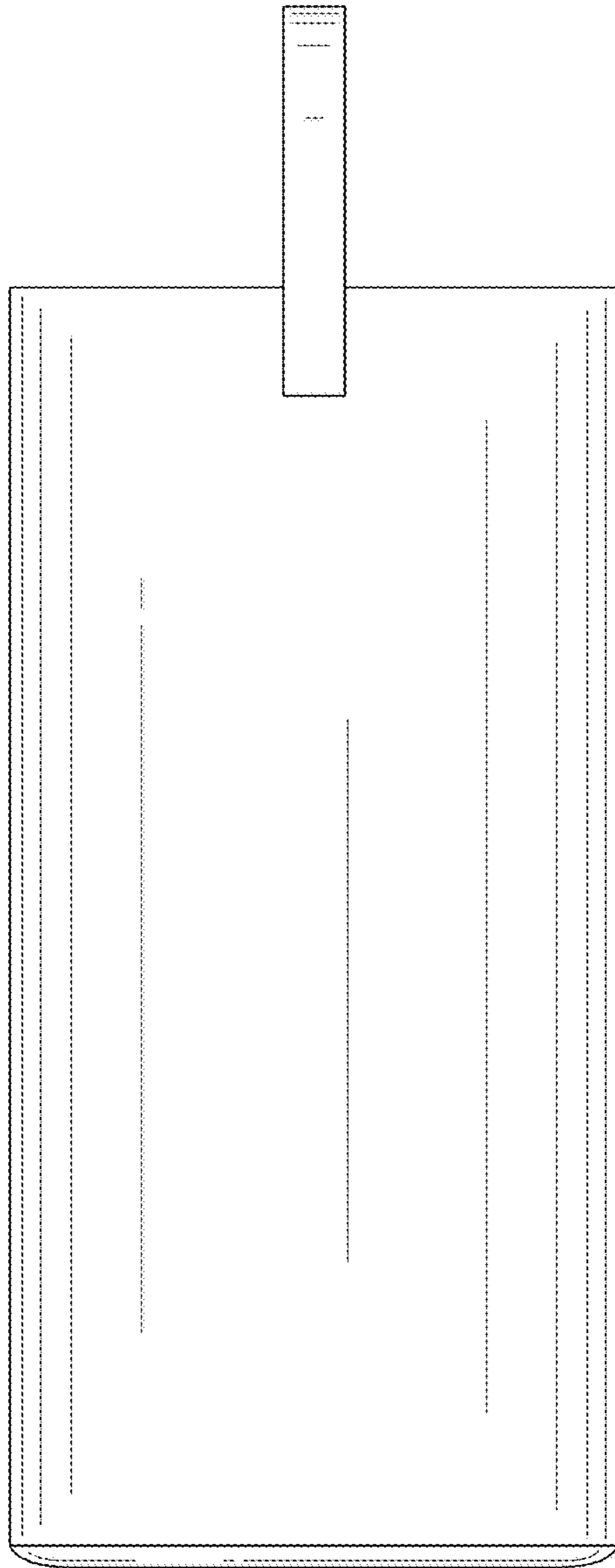


FIG. 4

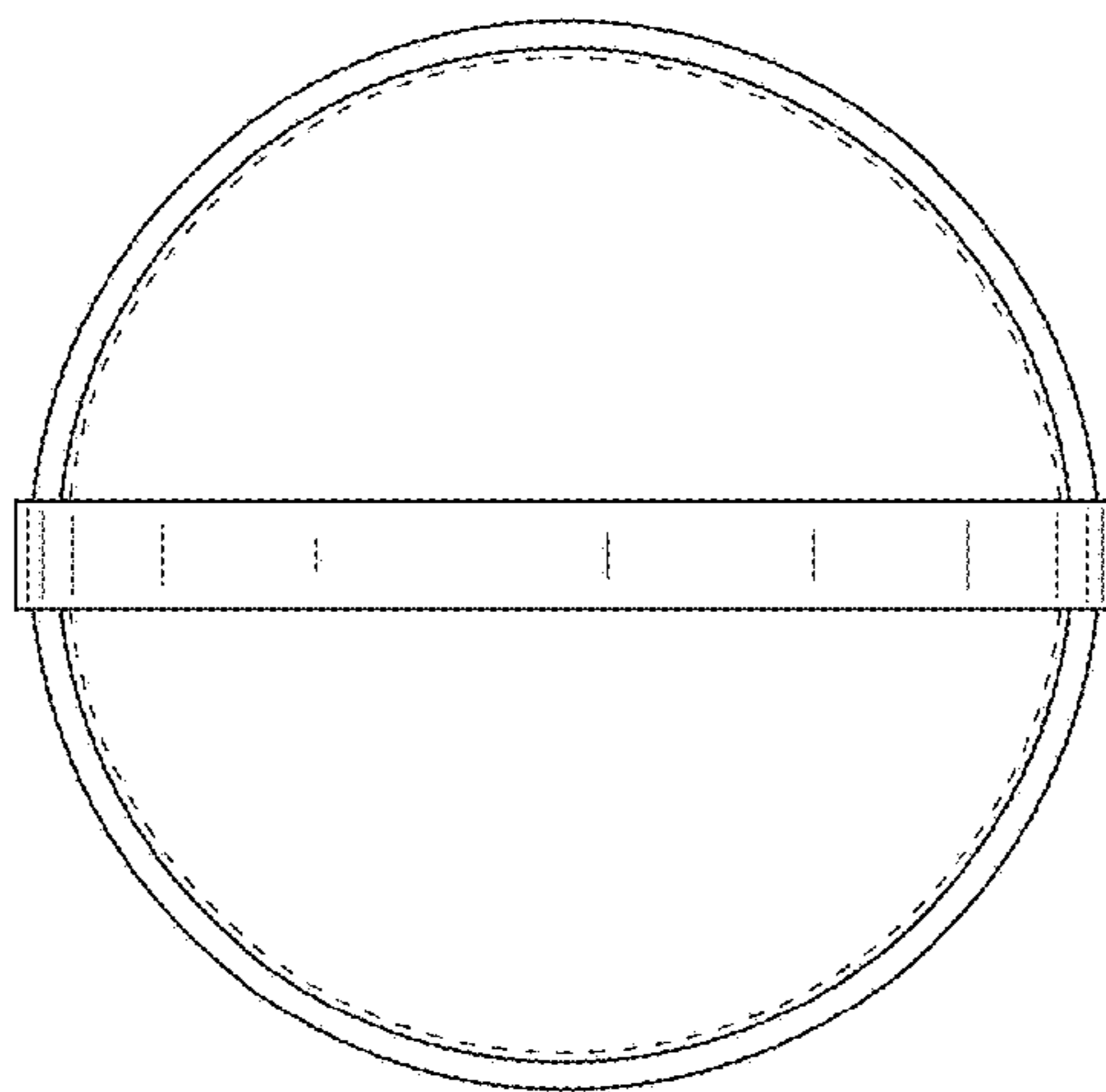


FIG. 5

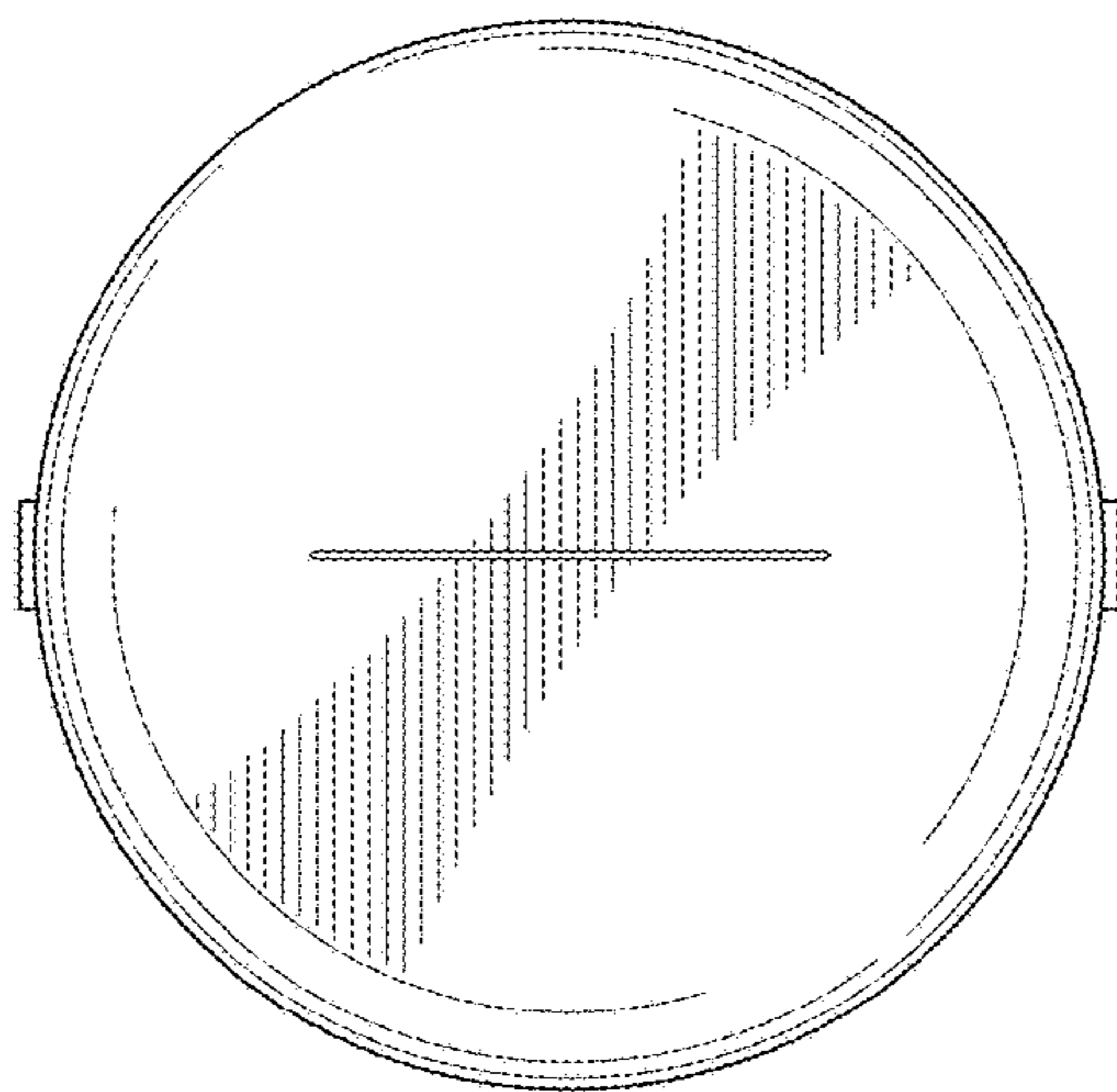


FIG. 6