



US00D864016S

(12) **United States Design Patent** (10) **Patent No.:** **US D864,016 S**
Woltz (45) **Date of Patent:** **** Oct. 22, 2019**

(54) **PLANT GROWING SHELF SYSTEM**

(71) Applicant: **EDN, Inc.**, Denver, CO (US)

(72) Inventor: **Ryan Michael Woltz**, Denver, CO (US)

(73) Assignee: **EDN, INC.**, Denver, CO (US)

(**) Term: **15 Years**

(21) Appl. No.: **29/577,729**

(22) Filed: **Sep. 15, 2016**

(51) **LOC (12) Cl.** **11-02**

(52) **U.S. Cl.**
USPC **D11/143**

(58) **Field of Classification Search**
USPC D8/1; D11/143–156
CPC . A01G 9/02; A01G 9/028; A01G 9/26; A01G
9/021; A01G 9/104; A01G 27/04; A01G
31/02

See application file for complete search history.

(56) **References Cited**

U.S. PATENT DOCUMENTS

D586,688 S *	2/2009	Bromley	D11/144
D604,196 S *	11/2009	Bissonnette	D11/144
D604,197 S *	11/2009	Bissonnette	D11/144
D713,284 S *	9/2014	Prinster	A01G 31/02
				D11/143
D729,115 S *	5/2015	Prinster	D11/144
D760,118 S *	6/2016	Lepp	D11/142
D792,808 S *	7/2017	Verneuil	D11/144
2006/0272210 A1 *	12/2006	Bissonnette	A01G 31/02
				47/69

OTHER PUBLICATIONS

Aerogarden, "Grow Fresh Herbs & Vegetables Year-Round", Retrieved from <http://www.aerogarden.com/>, Known to exist as early as Mar. 23, 2004, p. 1.

Greenhome123, "Aquaponics Indoor Garden Aquaculture Hydroponic System W/ Grow Light", Retrieved from <http://www.greenhome123.com/aquaponics-indoor-garden-aquaculture-hydroponic-system-w-grow-light/>, Apr. 21, 2013, p. 2.

Click and Grow, LLC., "A Smart Garden for a Modern Life", Retrieved from <https://www.clickandgrow.com/>, Known to exist as early as Feb. 25, 2010, p. 1.

Bharat, "Automatic MI Garden Grows Plants Indoors at the Push of a Button", Retrieved from <http://www.homecrux.com/2012/11/01/1922/automatic-mi-garden-grows-plants-indoors-at-the-push-of-a-button.html>, Nov. 1, 2012, p. 8.

(Continued)

Primary Examiner — Sheryl Lane

(74) *Attorney, Agent, or Firm* — Neugeboren O'Dowd PC

(57) **CLAIM**

I claim the ornamental design for a plant growing shelf system, as shown.

DESCRIPTION

FIG. 1 is a perspective view of the plant growing shelf system showing my new design;

FIG. 2 is a front view thereof;

FIG. 3 is a back view thereof;

FIG. 4 is a left side plan view thereof;

FIG. 5 is a right side plan view thereof;

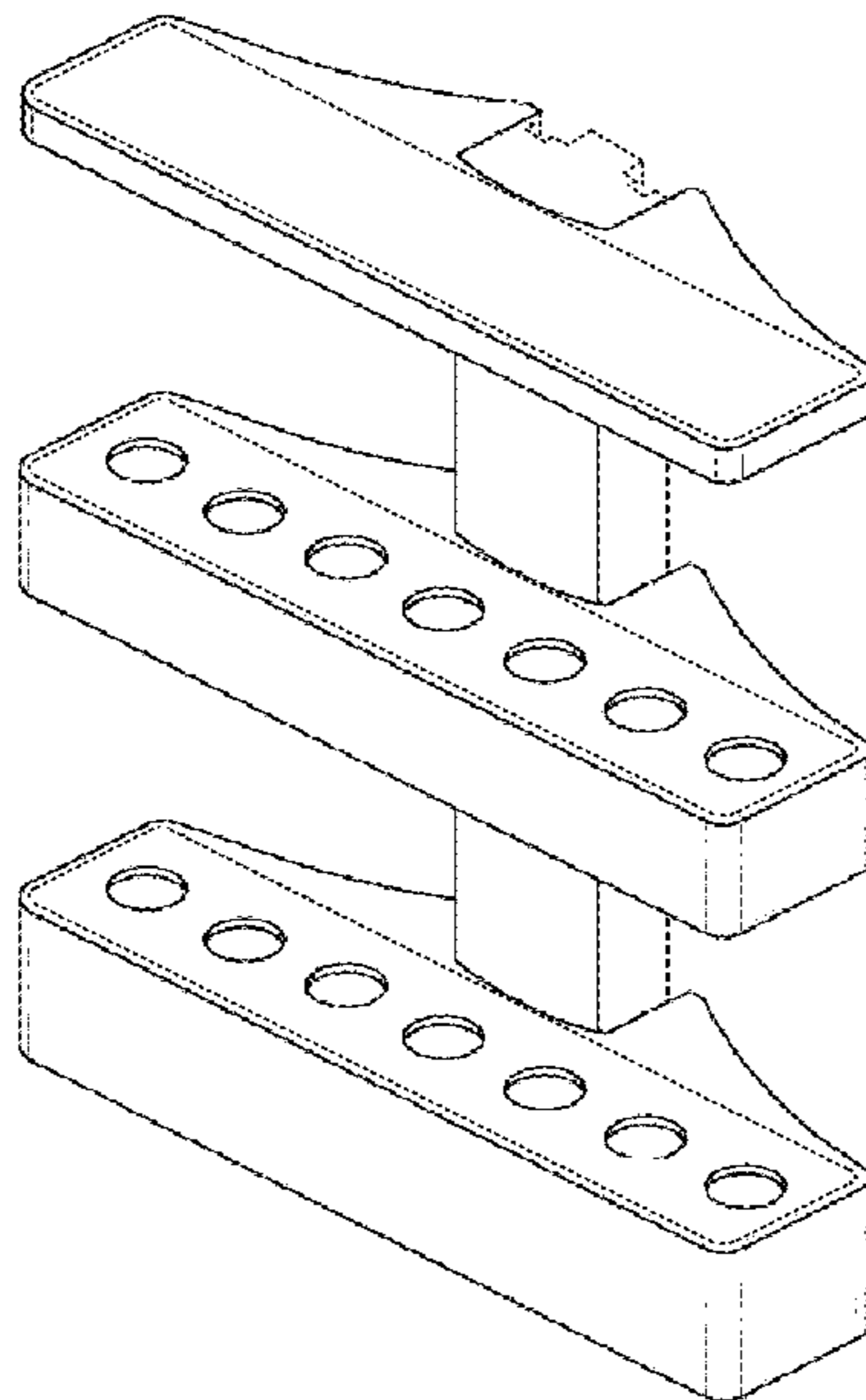
FIG. 6 is a top elevation view thereof; and,

FIG. 7 is a bottom elevation view thereof.

The shade lines in the figures show contour and not surface ornamentation.

The broken lines showing portions of the design in all figures are included for the purpose of illustrating environment and do not form a part of the claimed design.

1 Claim, 7 Drawing Sheets



(56)

References Cited

OTHER PUBLICATIONS

Hydrogalaxy, “Aerogarden 7 LED With Gourmet Herb Seed Kit”, Retrieved from <http://www.hydrogalaxy.com/ready-to-grow-herb-kits/aerogarden-7-led-with-gourmet-herb-seed-kit/>, Known to exist as early as Jan. 12, 2017, p. 4.

Lilo, “Lilo: The Easy Way to Grow Fresh Herbs at Home”, Retrieved from <https://www.kickstarter.com/projects/pretapousser/lilo-the-easy-way-to-grow-fresh-herbs-at-home>, Known to exist as early as May 30, 2015, p. 32.

The Windowfarms Project, “Brand New Windowfarms—Vertical Food Gardens”, Retrieved from <https://www.kickstarter.com/projects/windowfarms/learn-to-grow-and-share-with-new-windowfarms>, Nov. 17, 2011, p. 12.

Omkar, “Pod Fogponic Garden System by Greenfingers”, Retrieved from <http://thedesignhome.com/2012/11/pod-fogponic-garden-system-by-greenfingers/>, Nov. 20, 2012, p. 9.

* cited by examiner

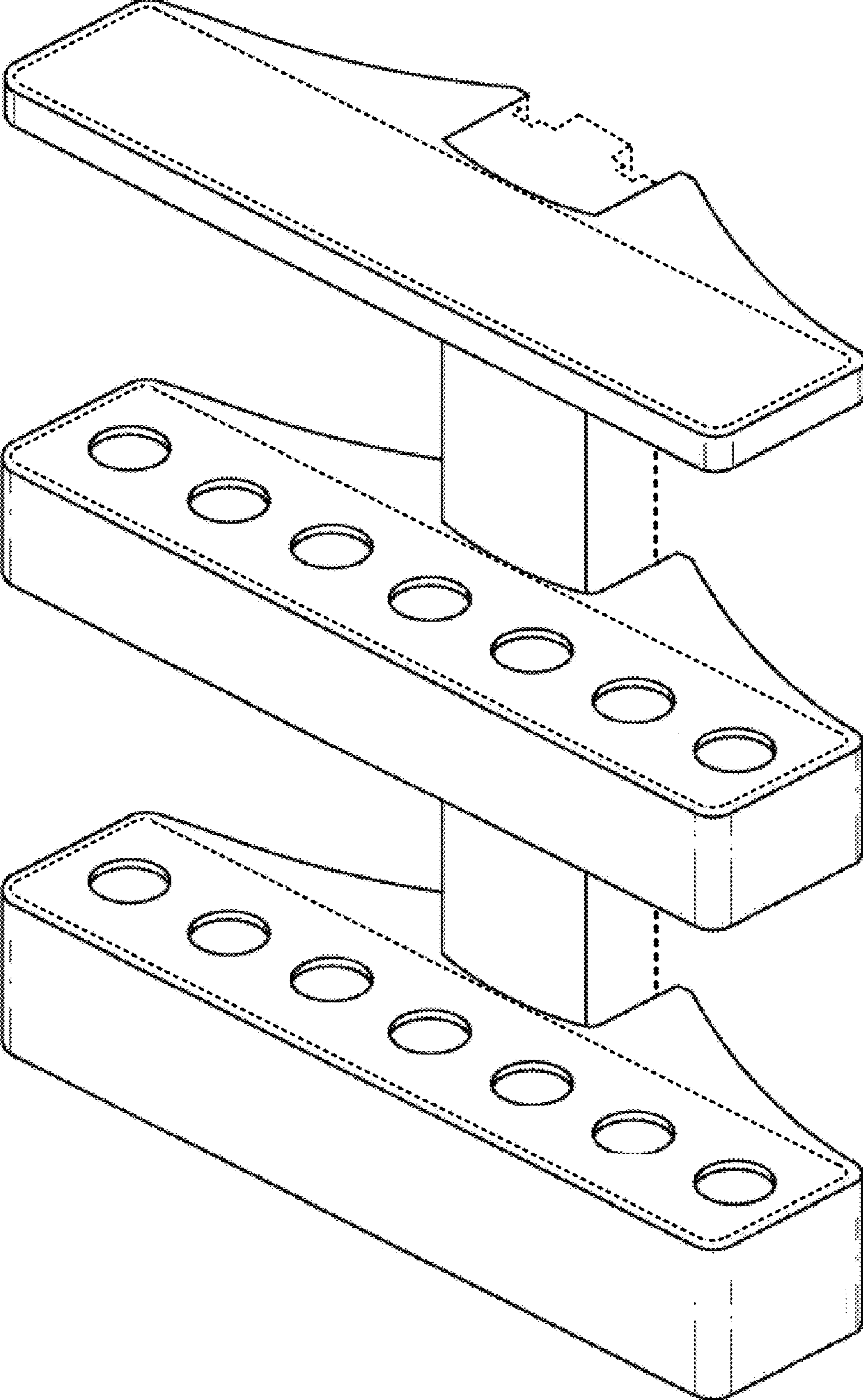


FIG. 1

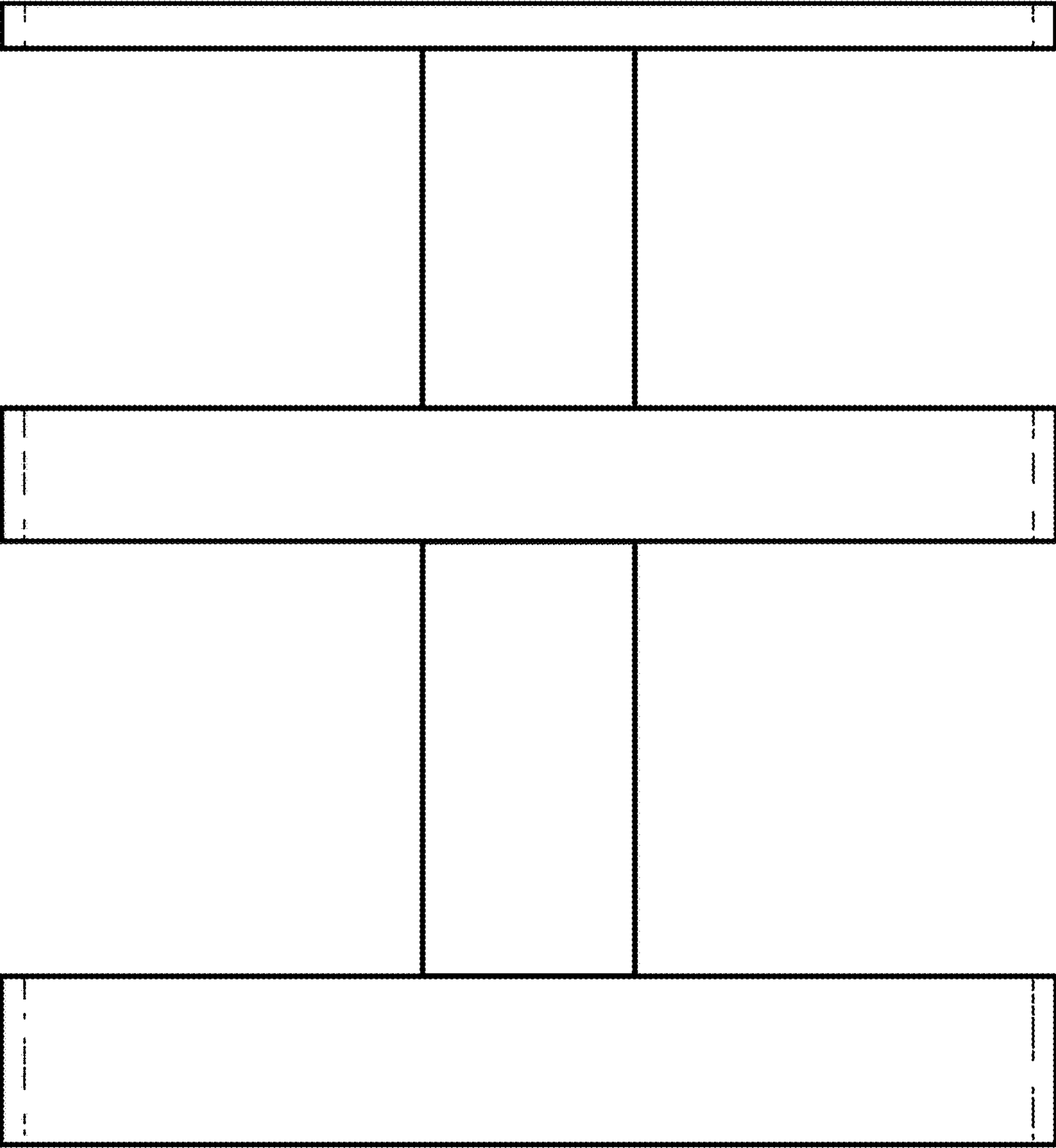


FIG. 2

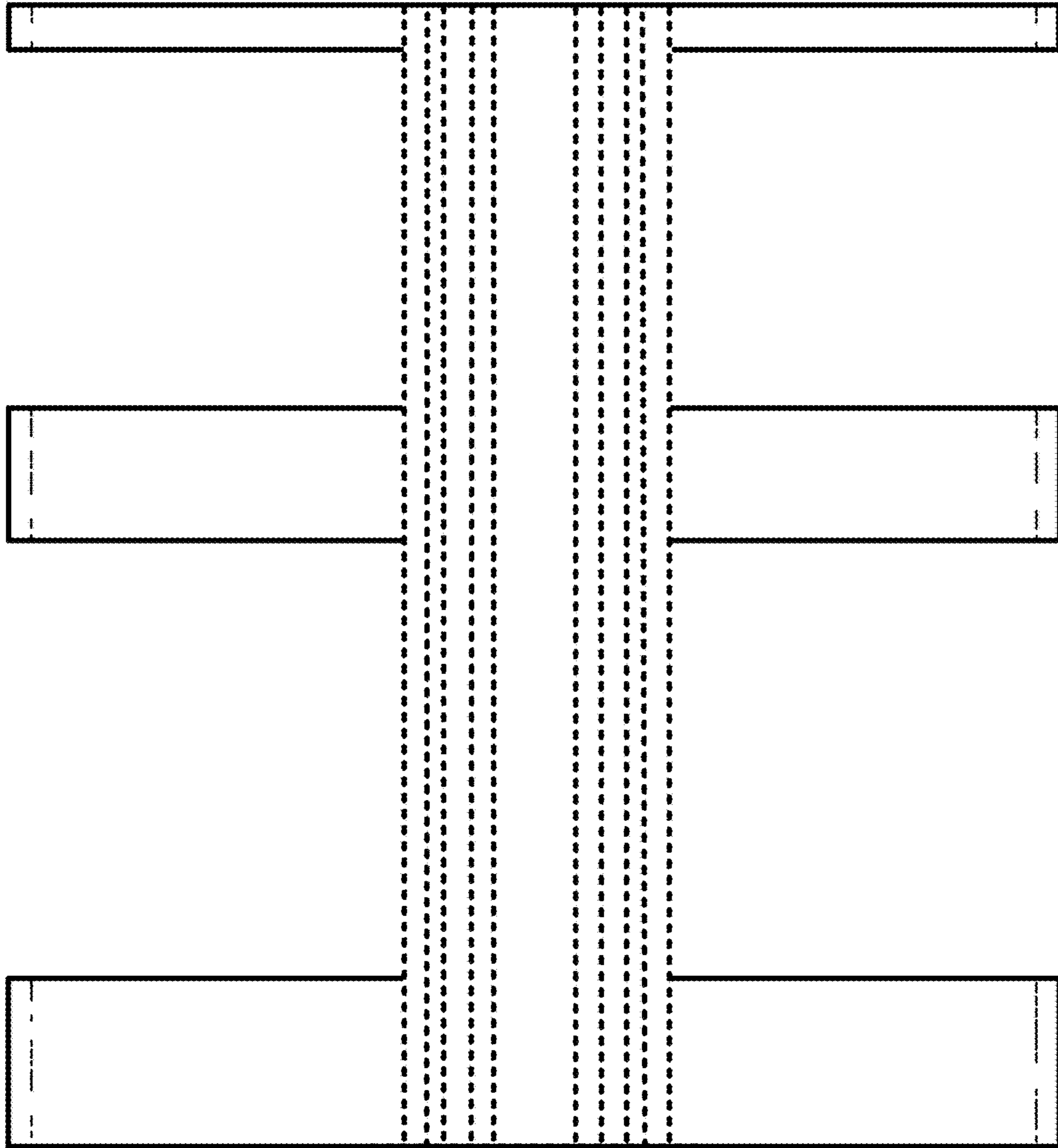


FIG. 3

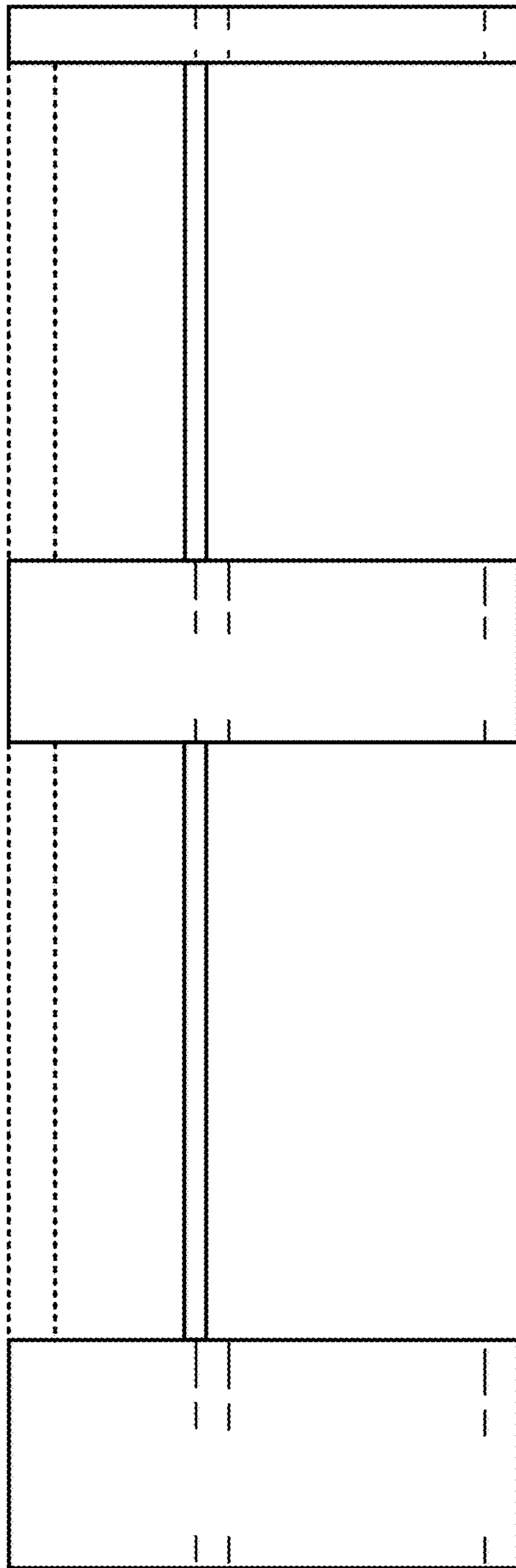


FIG. 4

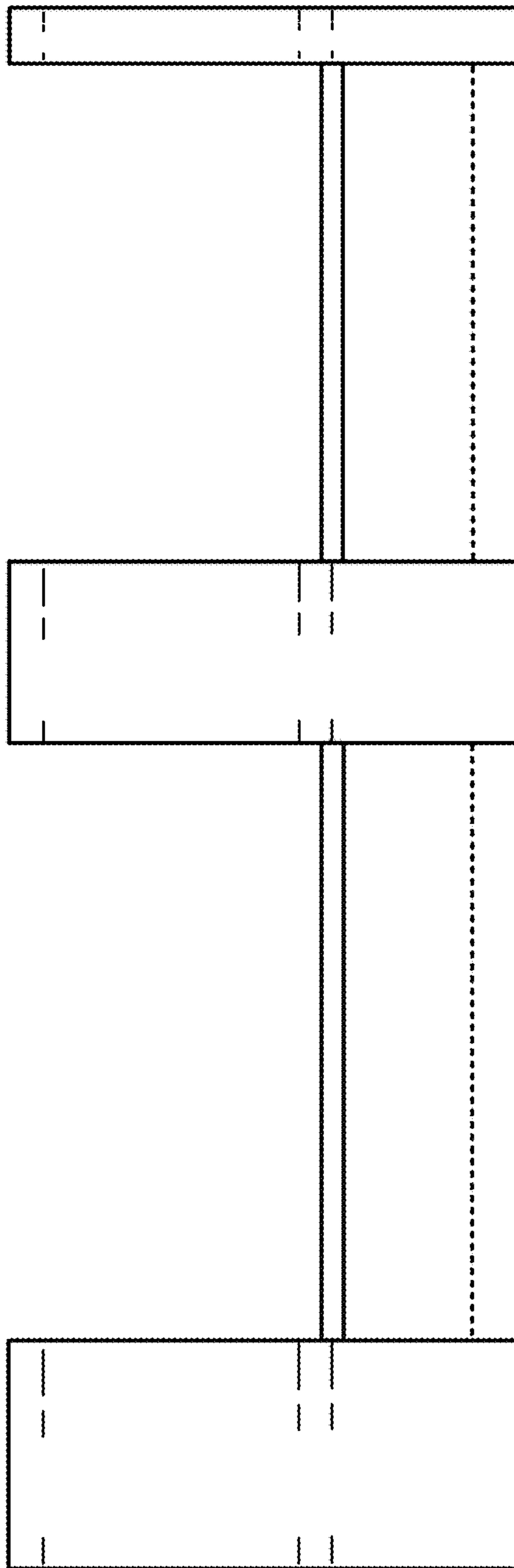


FIG. 5

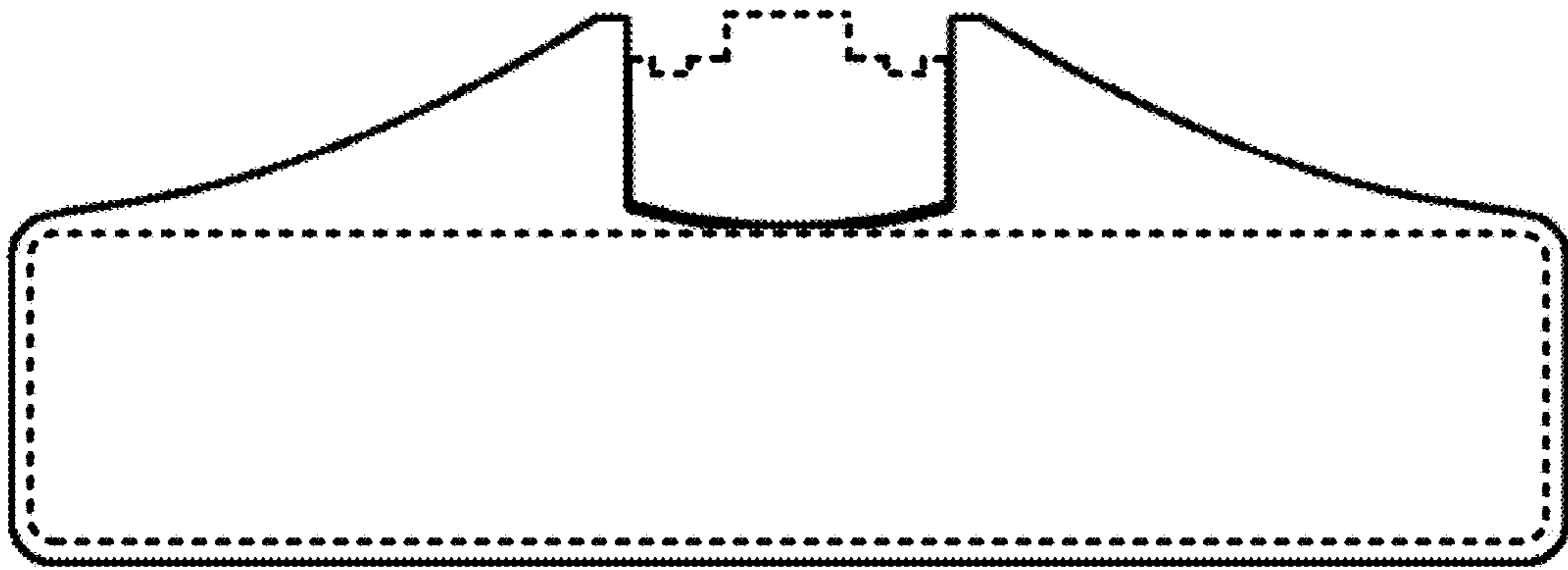


FIG. 6

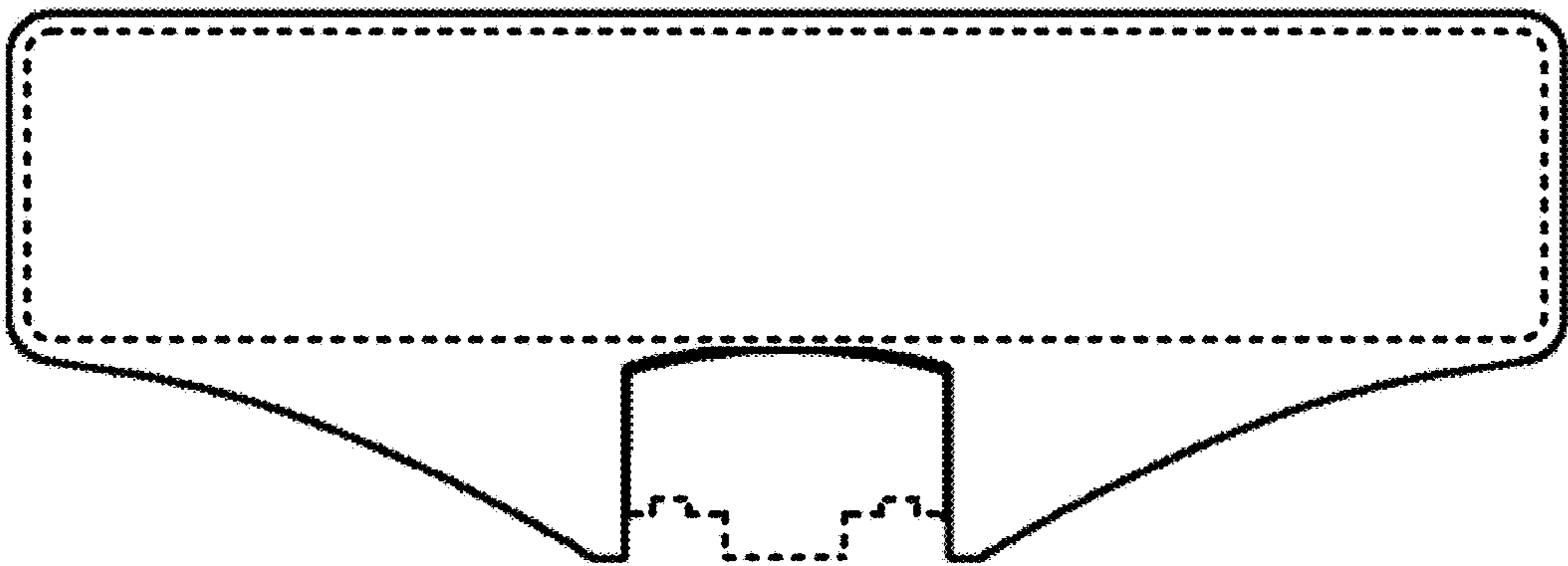


FIG. 7