

US00D864011S

(12) **United States Design Patent** (10) **Patent No.:** **US D864,011 S**  
**Moon** (45) **Date of Patent:** **\*\* Oct. 22, 2019**

(54) **WRIST BAND**

(71) Applicant: **Hanwha Techwin Co., Ltd.**,  
Seongnam-si (KR)  
(72) Inventor: **Mi Jung Moon**, Changwon-si (KR)  
(73) Assignee: **Hanwha Techwin Co., Ltd.**,  
Seongnam-si (KR)

(\*\*) Term: **15 Years**

(21) Appl. No.: **29/596,103**

(22) Filed: **Mar. 6, 2017**

(30) **Foreign Application Priority Data**

Sep. 6, 2016 (KR) ..... 30-2016-0043706

(51) **LOC (12) Cl.** ..... **11-01**

(52) **U.S. Cl.**  
USPC ..... **D11/3; D10/32; D10/104.2**

(58) **Field of Classification Search**  
USPC ..... D10/30-34, 36-39, 104.2, 106.1, 106.6,  
D10/122-128, 132; D11/3, 12, 16-18,  
D11/40, 80, 89-92, 94; D14/344,  
D14/485-487, 490, 492; D24/167, 186;  
D22/122

CPC ..... G04B 19/00; G04B 19/06; G04B 19/065;  
G04B 19/08; G04B 19/082; G04B 19/10;  
G04B 19/103; G04B 19/12; G04B 47/00;  
G04B 47/042; G04B 47/06; G04B 47/04;  
G04B 47/063; G04B 19/223; G04B  
19/22; G04B 19/283; G04B 37/00; G04B  
37/0008; G04B 37/12; G04B 37/1486;  
G04B 37/0058; G04B 45/00; G04B  
45/0038; G04B 45/0069; G04B 45/0076;  
A44C 5/00; A44C 5/0053; G04F 3/04817;  
G04F 3/04886; H04N 5/443; H04N  
5/445; G04G 9/00; G04G 9/082; G04G  
9/088; G04G 9/094; G04G 9/02; G04G  
9/04; G04G 9/06

See application file for complete search history.

(56) **References Cited**

U.S. PATENT DOCUMENTS

5,361,169 A \* 11/1994 Deal ..... B63C 11/02  
359/517  
D449,999 S \* 11/2001 Ng ..... D10/32  
D497,812 S \* 11/2004 Modolo ..... D10/32  
D529,402 S \* 10/2006 Burton ..... D10/32

(Continued)

OTHER PUBLICATIONS

Jawbone Up Move | posted at techadvisor.co.uk Nov. 2014 © 2018  
IDG UK [online][site visited Nov. 21, 2018]. Available from  
internet: <[https://www.techadvisor.co.uk/review/activity-trackers/  
jawbone-up-move-review-3588731/](https://www.techadvisor.co.uk/review/activity-trackers/jawbone-up-move-review-3588731/)> (Year: 2014).\*

(Continued)

*Primary Examiner* — Sandra S Snapp  
*Assistant Examiner* — Katherine Glennon  
(74) *Attorney, Agent, or Firm* — H.C. Park & Associates,  
PLC

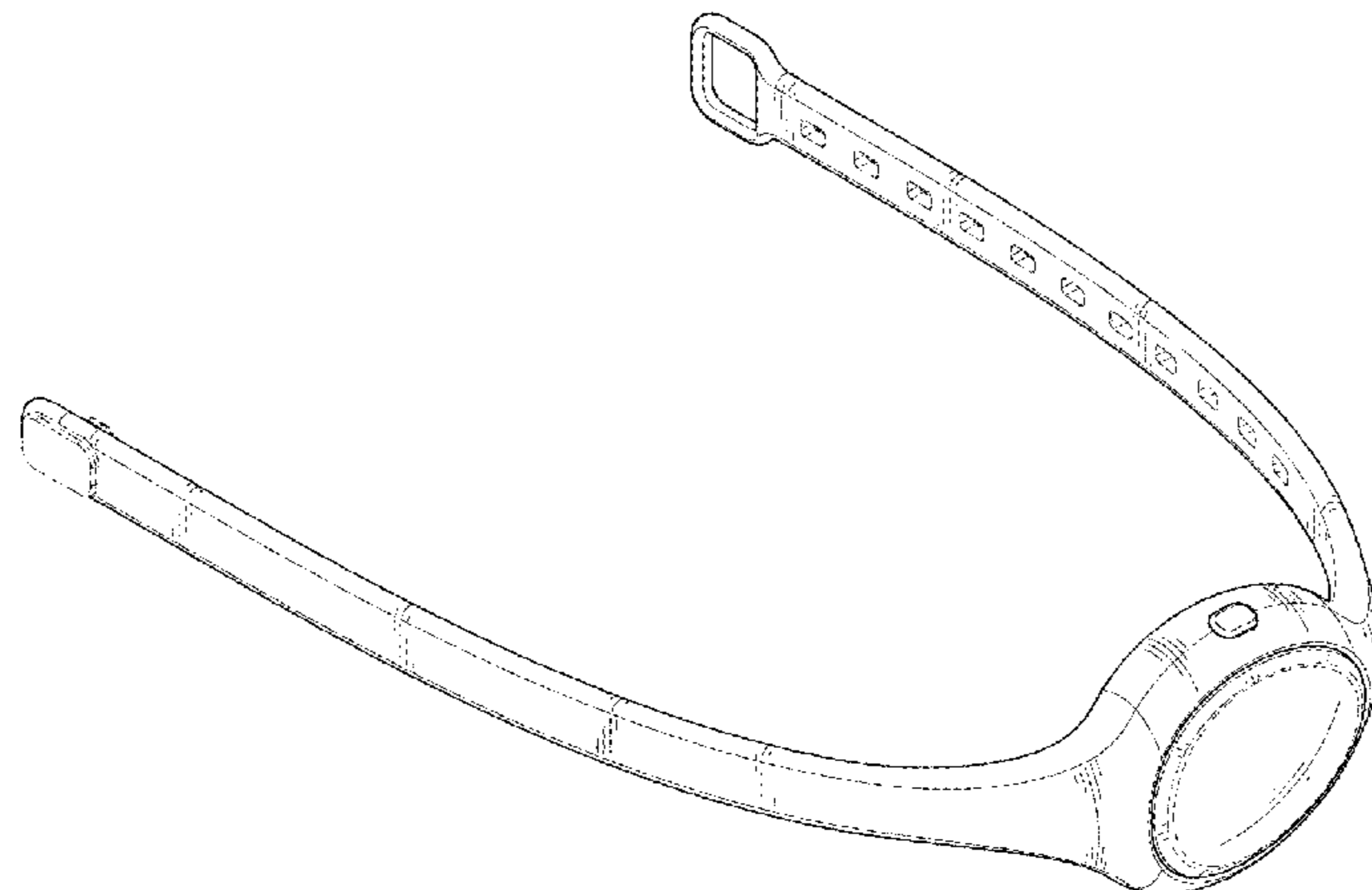
(57) **CLAIM**

The ornamental design for a wrist band, as shown and described.

**DESCRIPTION**

FIG. 1 is a front perspective view of the wrist band;  
FIG. 2 is a front view thereof;  
FIG. 3 is a rear view thereof;  
FIG. 4 is a left side view thereof;  
FIG. 5 is a right side view thereof;  
FIG. 6 is a top view thereof; and,  
FIG. 7 is a bottom view thereof.  
The broken line portions in the drawings are shown to  
illustrate environment only and form no part of the claimed  
design.

**1 Claim, 5 Drawing Sheets**



(56)

References Cited

U.S. PATENT DOCUMENTS

D558,608 S \* 1/2008 Iff ..... D10/32  
 D654,815 S \* 2/2012 Kumano ..... D10/32  
 D687,736 S \* 8/2013 Wycoff ..... D11/3  
 8,651,346 B1 \* 2/2014 Williams ..... A44C 5/003  
 224/219  
 D718,170 S \* 11/2014 Aumiller ..... D10/32  
 D720,248 S \* 12/2014 Law ..... D11/3  
 D724,556 S \* 3/2015 Choi ..... D10/32  
 D727,276 S \* 4/2015 Jung ..... D11/3  
 D729,674 S \* 5/2015 Behar ..... D10/103  
 D729,675 S \* 5/2015 Behar ..... D10/103  
 D736,652 S \* 8/2015 Isaacs ..... D10/32  
 D738,878 S \* 9/2015 Lee ..... D10/104.2  
 D749,965 S \* 2/2016 Lutgen ..... D10/126  
 D752,469 S \* 3/2016 Rastrick ..... D11/3  
 D767,435 S \* 9/2016 Lee ..... D11/3  
 D767,436 S \* 9/2016 Goodner ..... D11/3  
 D770,321 S \* 11/2016 Murphy ..... D11/3  
 D781,852 S \* 3/2017 Yu ..... D14/344  
 D802,466 S \* 11/2017 Yu ..... D11/3  
 D809,088 S \* 1/2018 Borovicka ..... D22/122  
 D817,784 S \* 5/2018 Swenson ..... D10/32

D824,033 S \* 7/2018 Masuyama ..... D24/167  
 D826,763 S \* 8/2018 Chuang ..... D11/3  
 2018/0272149 A1 \* 9/2018 Anderson ..... A61N 2/004

OTHER PUBLICATIONS

Neebo-The Baby Care System | posted at youtube.com Jun. 2015  
 [online][site visited Nov. 25, 2018]. Available from internet: <<https://www.youtube.com/watch?v=wu0KqbbmhC4>> (Year: 2015).\*  
 Samsung BrightVIEW User Manual-Wireless Wrist Band | posted at  
 Cleancss.com No posting date; User manual dated Dec. 23, 2016 ©  
 2017 Dan's Tools [online][site visited Nov. 21, 2018]. Available  
 from internet: <<https://www.cleancss.com/user-manuals/NLM/SEAWBW0#page=1&zoom=140,-10,482>> pp. 5-6 (Year: 2016).\*  
 Samsung Wisenet BabyView | posted at techhive.com Jan. 2017 ©  
 IDG Communications Inc. [online][site visited Nov. 21, 2018].  
 Available from internet: <<https://www.techhive.com/article/3154145/security-cameras/samsung-unveils-its-wisenet-smartcam-and-babyview-home-security-cameras.html>> (Year: 2017).\*  
 SEAWBW0 Wrist Band External Photos | posted at fccid.io; no  
 posting date. © FCCID.io 2018 [online][site visited Nov. 20, 2018].  
 Available from internet: <<https://fccid.io/NLMSEAWBW0/External-Photos/External-Photos-3262559>> (Year: 2018).\*

\* cited by examiner

FIG. 1

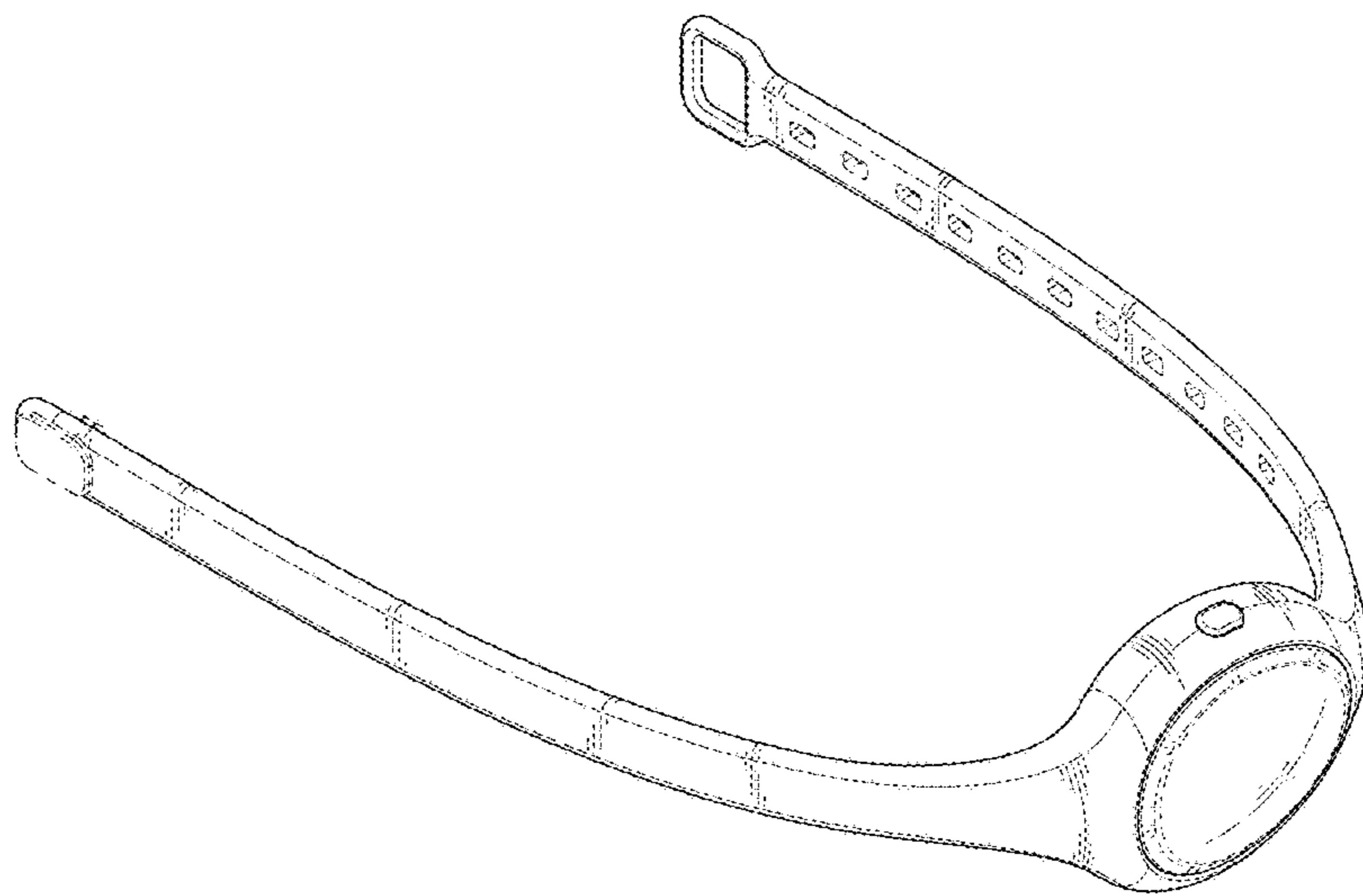


FIG. 2

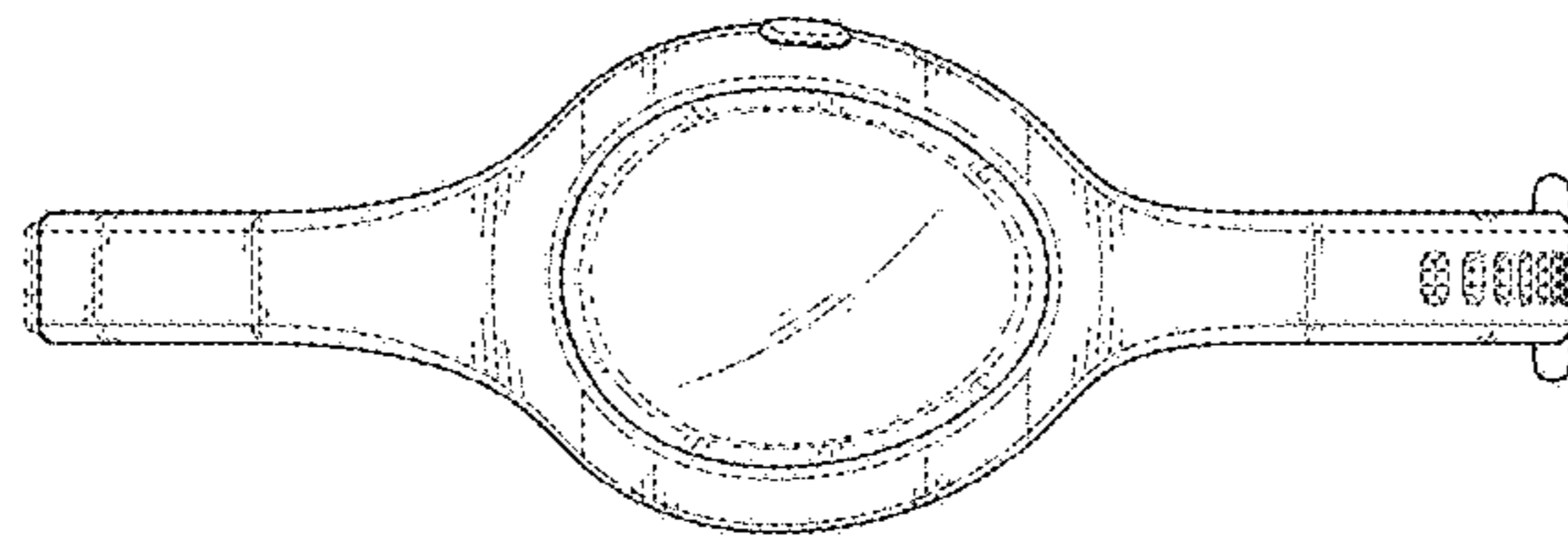


FIG. 3

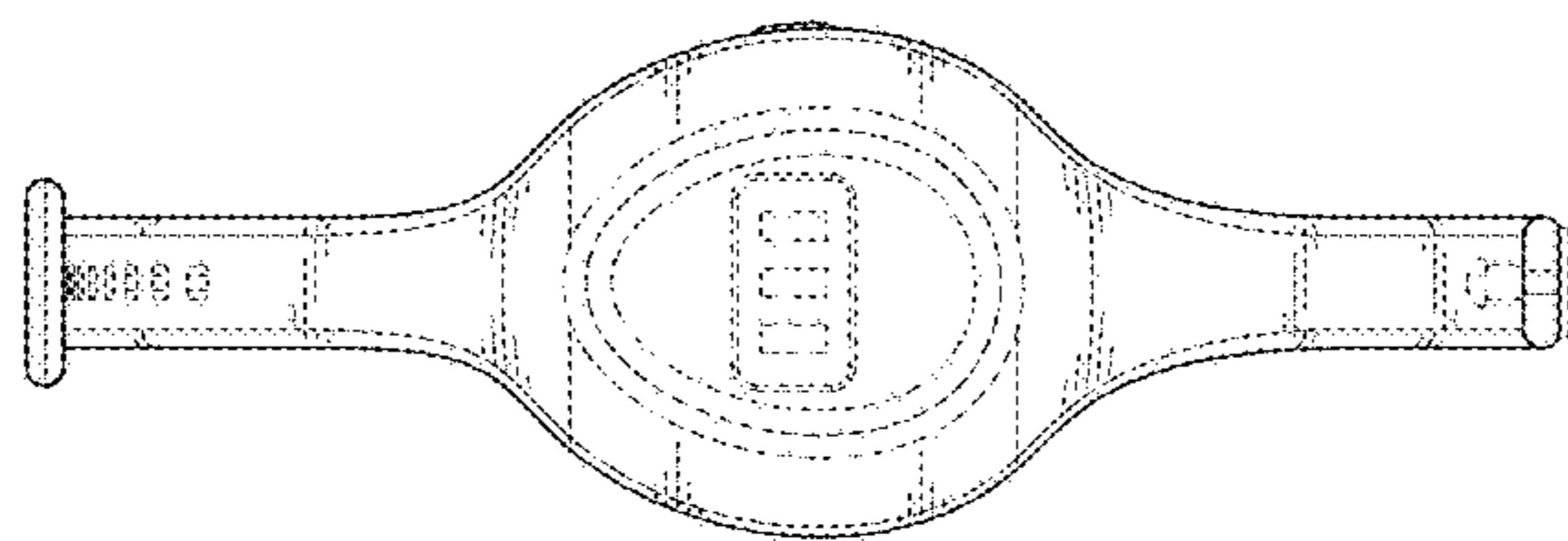


FIG. 4

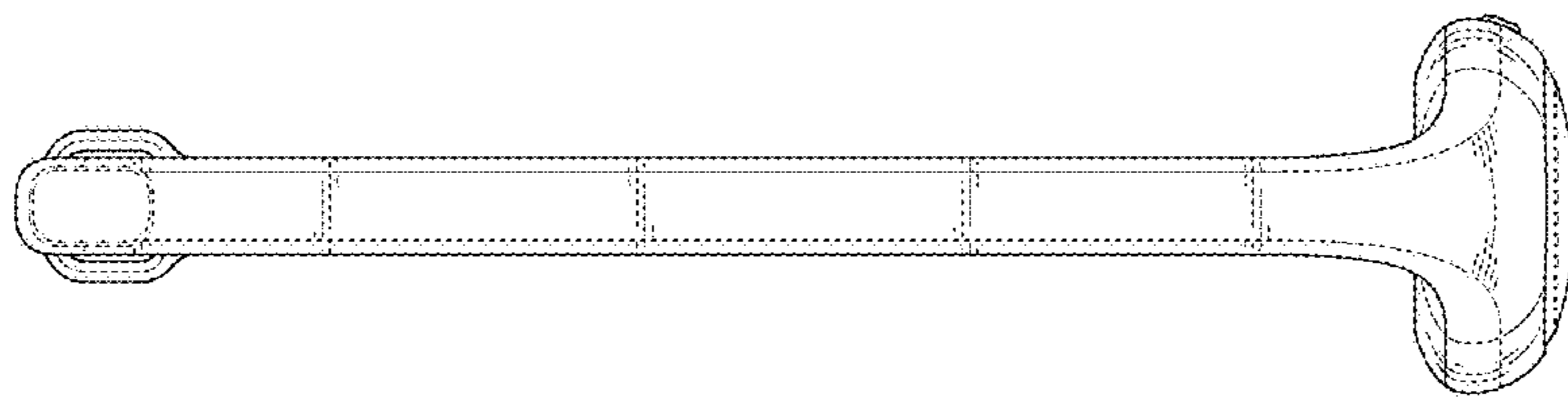


FIG. 5

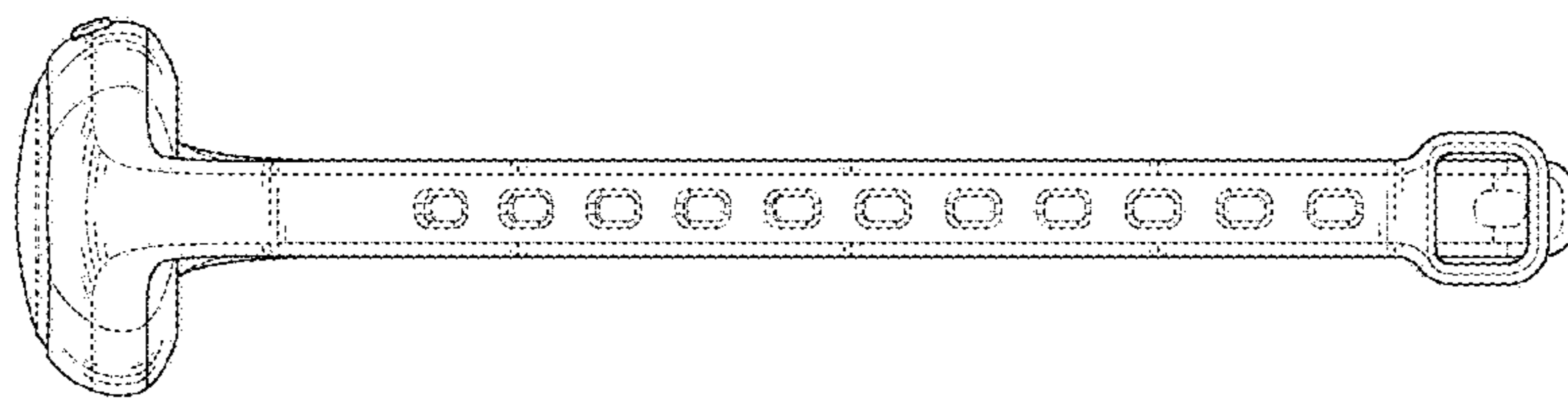


FIG. 6

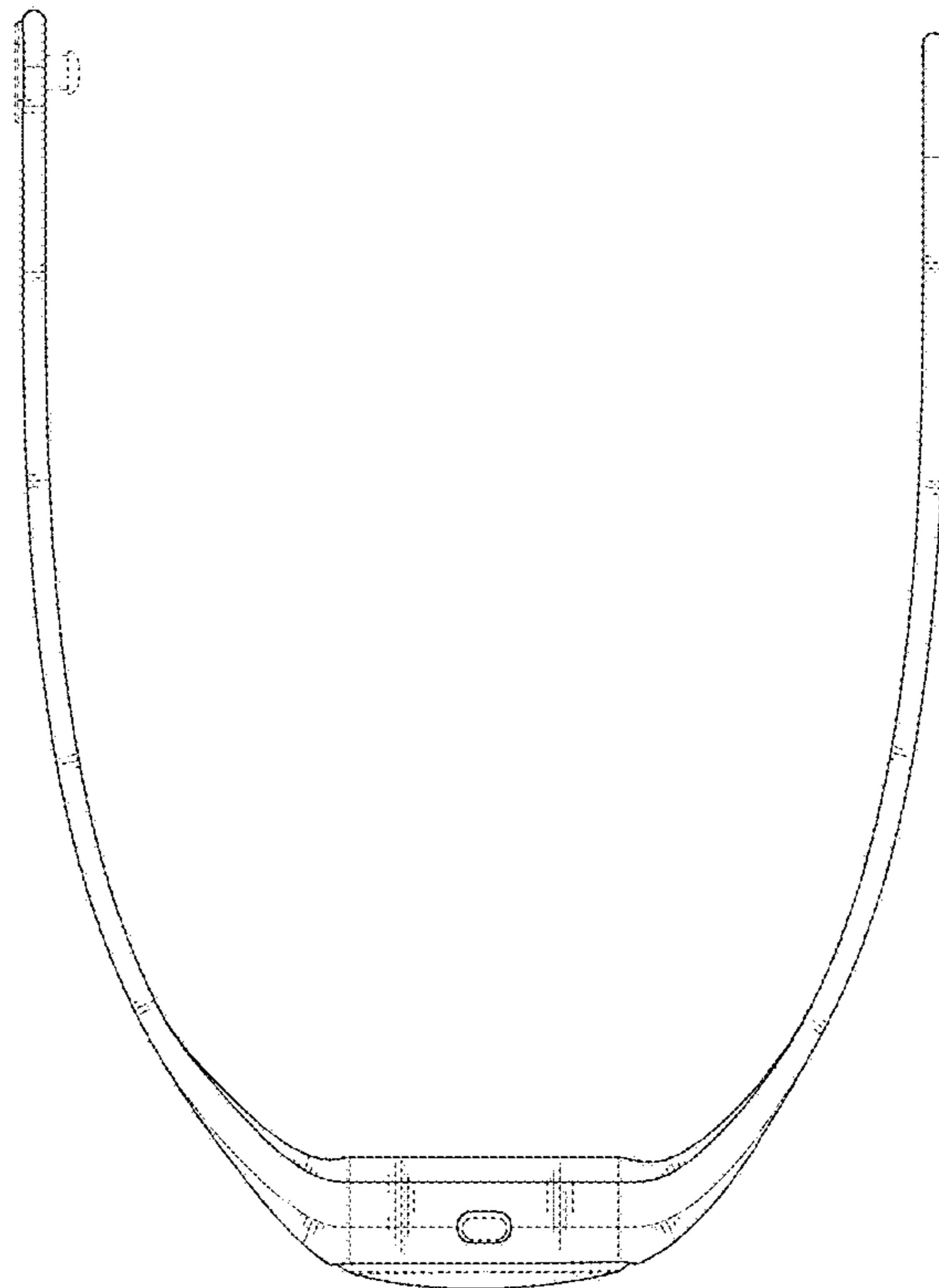


FIG. 7

