

US00D864008S

(12) **United States Design Patent**
Goltche

(10) **Patent No.:** **US D864,008 S**

(45) **Date of Patent:** **** Oct. 22, 2019**

(54) **LIGHT BAR**

(71) Applicant: **Yehuda Goltche**, Great Neck, NY (US)

(72) Inventor: **Yehuda Goltche**, Great Neck, NY (US)

(**) Term: **15 Years**

(21) Appl. No.: **29/595,416**

(22) Filed: **Feb. 28, 2017**

(51) **LOC (12) Cl.** **10-05**

(52) **U.S. Cl.**
USPC **D10/114.4**

(58) **Field of Classification Search**
USPC D10/104.1, 109.1, 109.2, 110, 111,
D10/114.1–114.8, 121; D26/28, 35, 36,
D26/102, 104, 118, 120, 122; D12/401,
D12/406, 412, 414, 190
CPC ... F21S 41/151; B60Q 1/0029; B60Q 1/0035;
B60Q 1/0041; B60Q 1/0047; B60Q
1/0052; B60Q 1/0058; B60Q 1/2611
See application file for complete search history.

(56) **References Cited**

U.S. PATENT DOCUMENTS

D595,173 S *	6/2009	Shin	D10/114.4
D617,226 S *	6/2010	Cai	D10/114.4
D632,199 S *	2/2011	Jacobs	D10/114.4
D652,753 S *	1/2012	Deyaf	D10/114.4
8,342,725 B2 *	1/2013	Stein	B60Q 1/2611 362/311.02
D700,098 S *	2/2014	Deyaf	D10/114.4
8,939,626 B2 *	1/2015	Grote, Jr.	B60Q 1/2611 362/540
D751,444 S *	3/2016	Goltche	D10/114.4
D782,933 S *	4/2017	Goltche	D10/114.4
D783,436 S *	4/2017	Goltche	D10/114.4

D793,891 S *	8/2017	Deyaf	D10/114.4
D835,535 S *	12/2018	Deyaf	B60Q 1/2611 D10/114.4
D840,855 S *	2/2019	Goltche	B60Q 1/2611 D10/114.4

* cited by examiner

Primary Examiner — George D. Kirschbaum

Assistant Examiner — Joseph J Kukella

(74) *Attorney, Agent, or Firm* — Dunlap Bennett & Ludwig PLLC

(57) **CLAIM**

The ornamental design for a light bar, as shown and described.

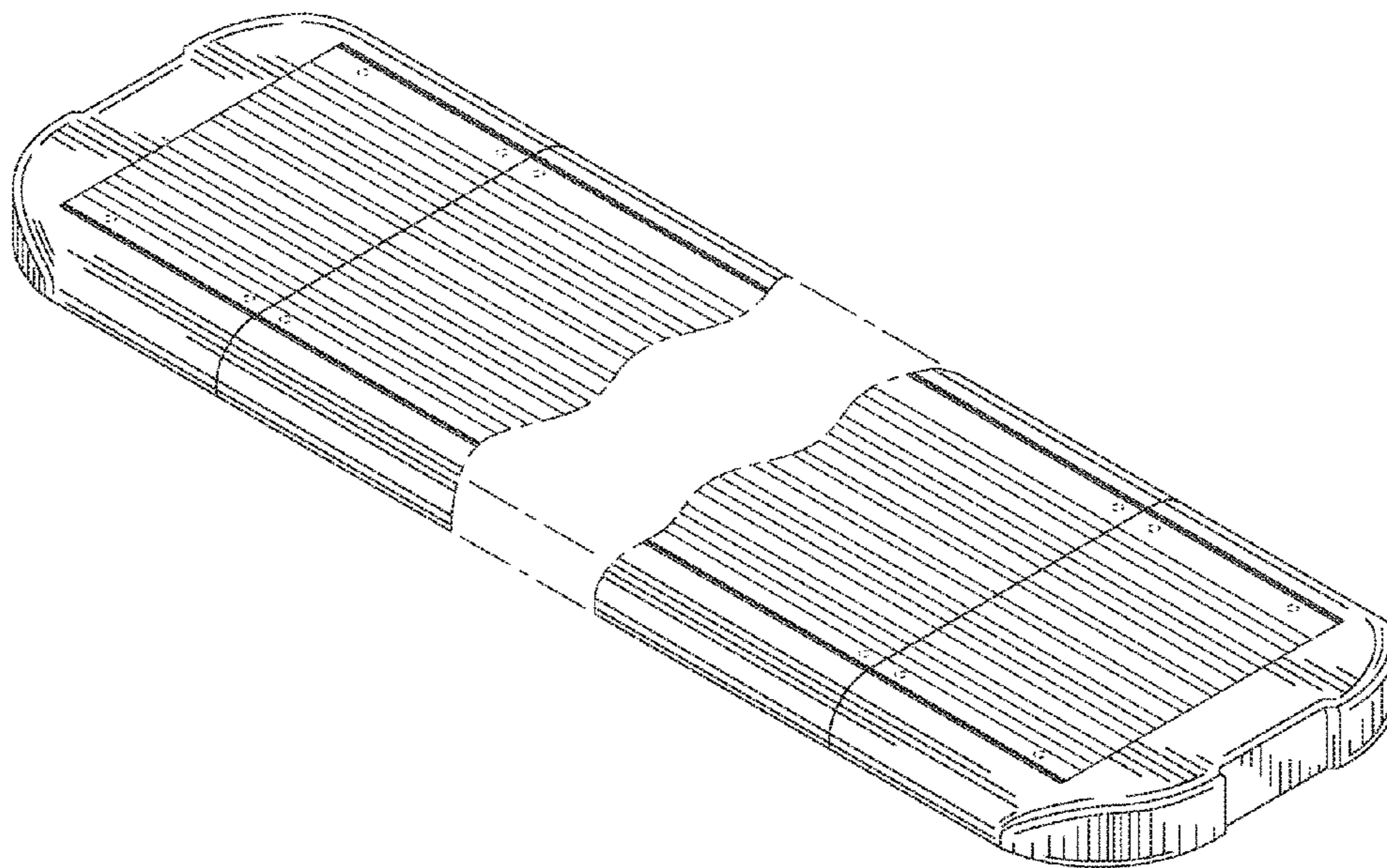
DESCRIPTION

FIG. 1 is a top front perspective view of a light bar;
 FIG. 2 is a front elevation view thereof; the rear elevation view being a mirror image thereof;
 FIG. 3 is a left elevation view thereof; the right elevation view being a mirror image thereof;
 FIG. 4 is a top elevation view thereof;
 FIG. 5 is a bottom elevation view thereof;
 FIG. 6 is a section view thereof, taken along line 6-6 in FIG. 4;
 FIG. 7 is an enlarged partial section view thereof, taken along line 7-7 in FIG. 6; and,
 FIG. 8 is an enlarged partial section view thereof, taken along line 8-8 in FIG. 7.

The broken dashed lines shown in the drawings illustrate portions of the light bar that form no part of the claimed design.

The claimed design is shown with a symbolic break in its length. The appearance of any portion of the article between the break lines forms no part of the claimed design.

1 Claim, 4 Drawing Sheets



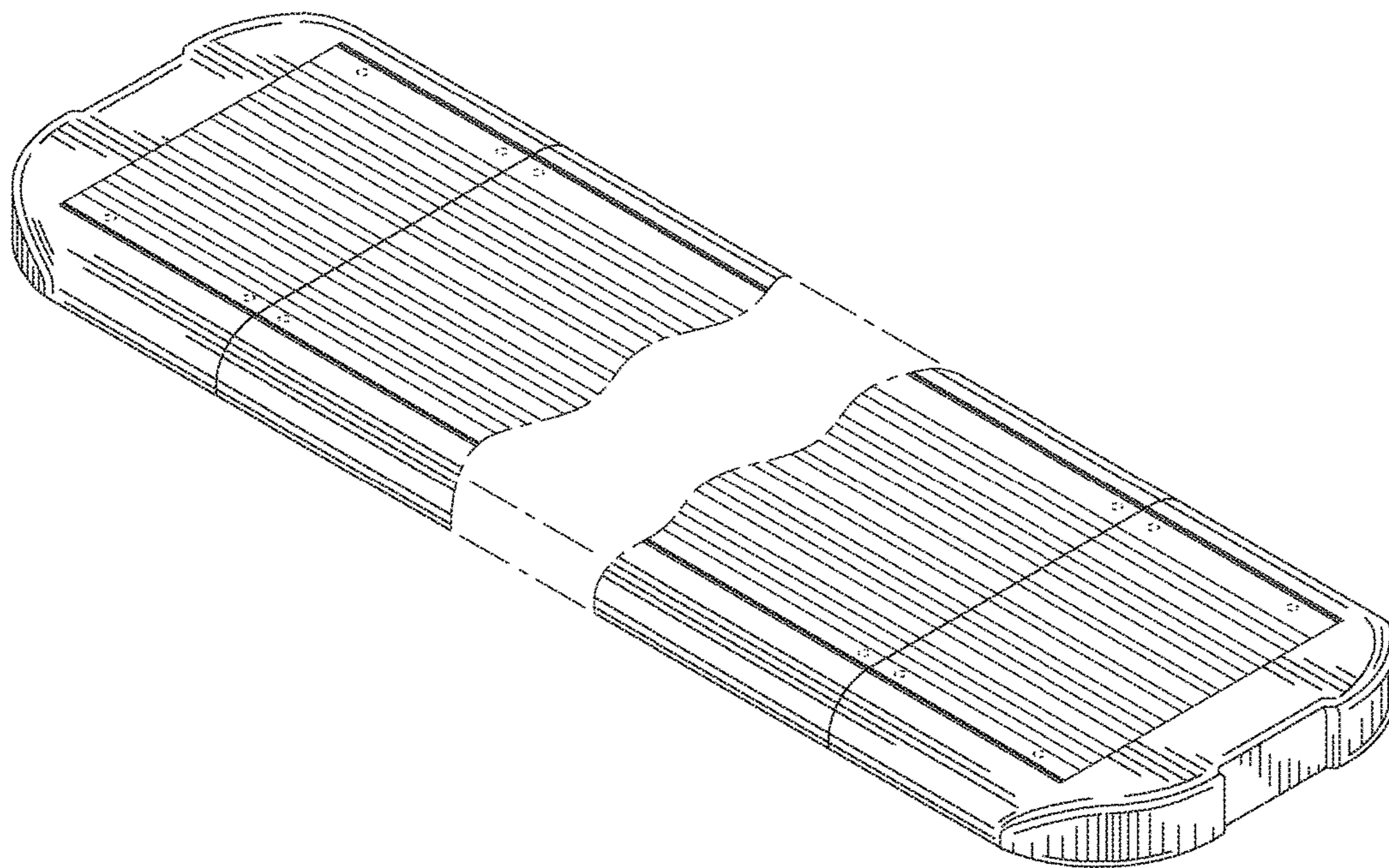


FIG. 1

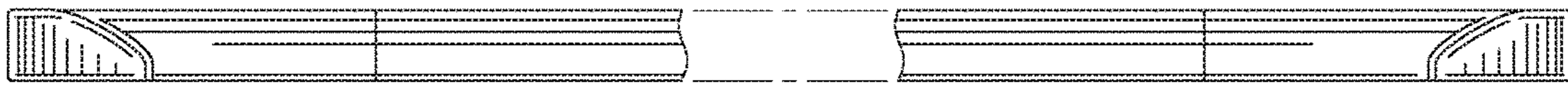


FIG. 2

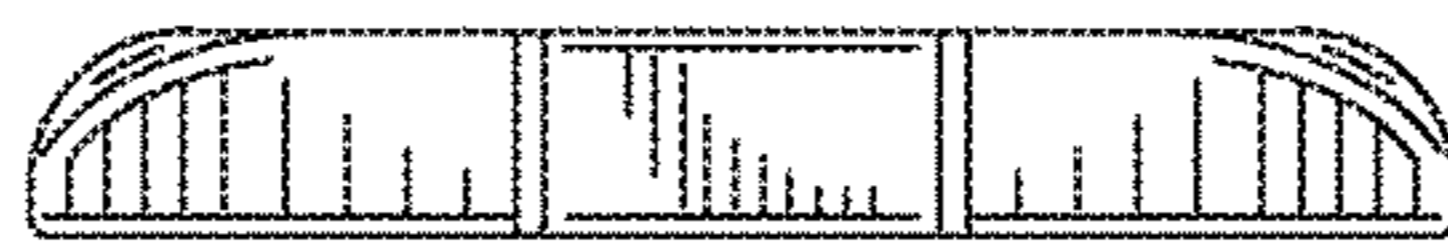


FIG. 3

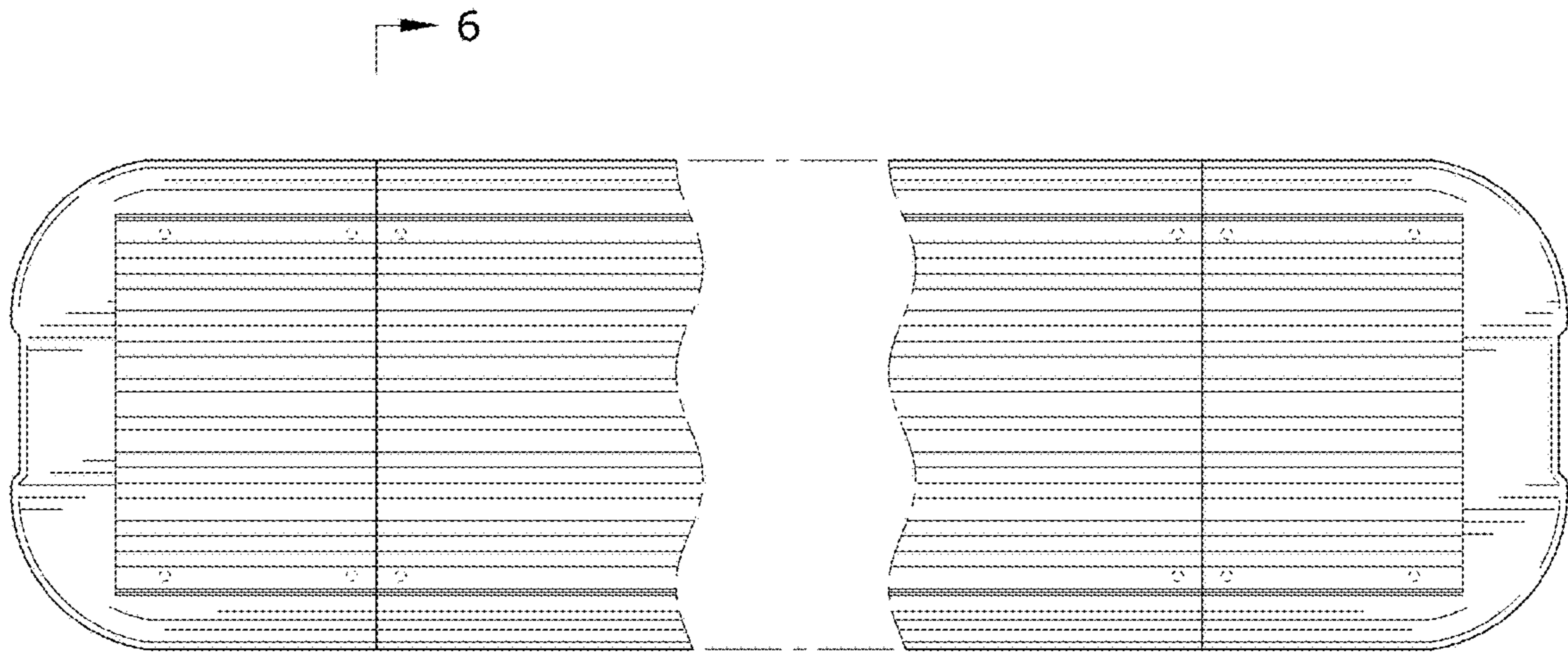


FIG. 4

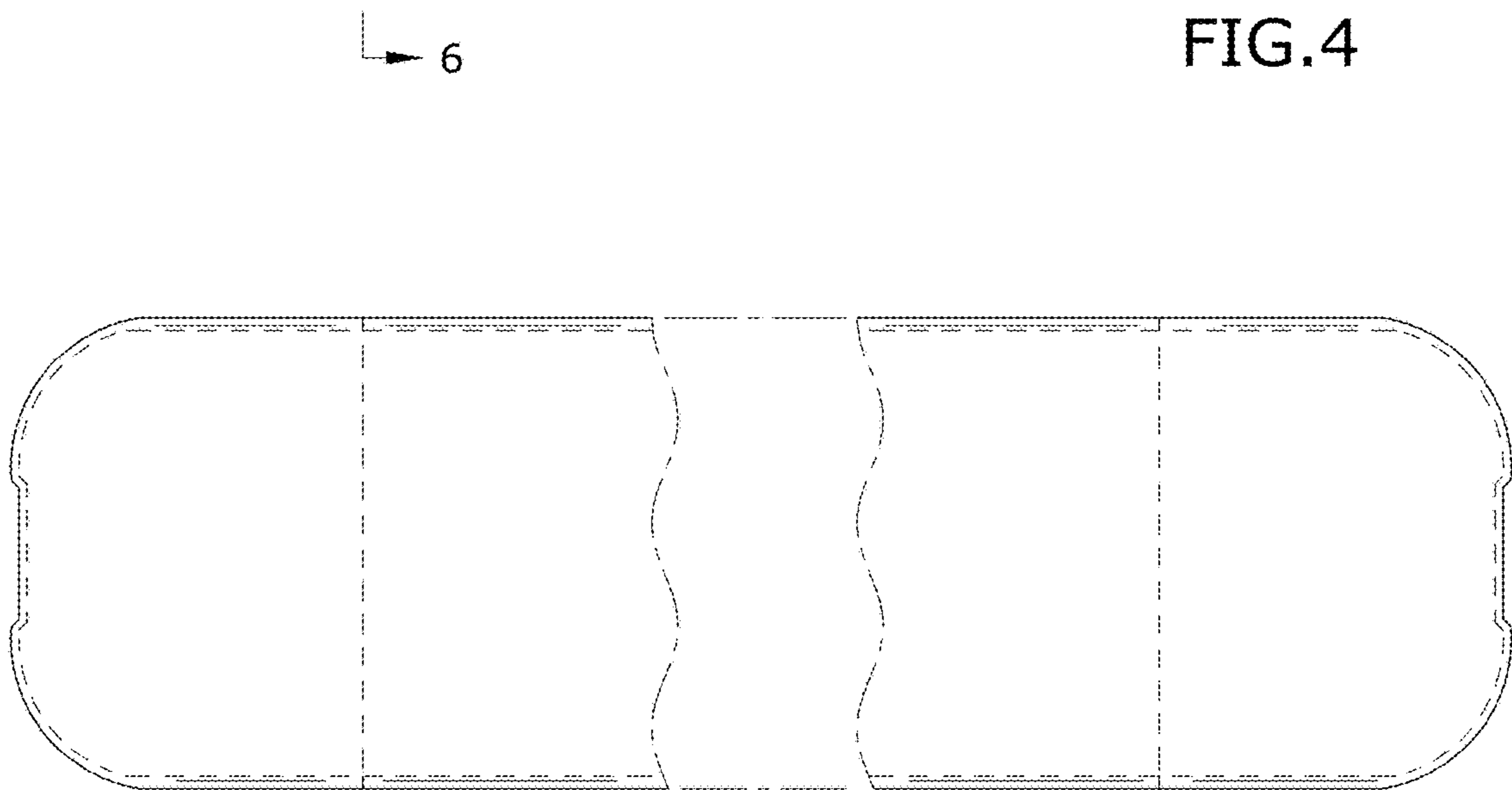


FIG. 5

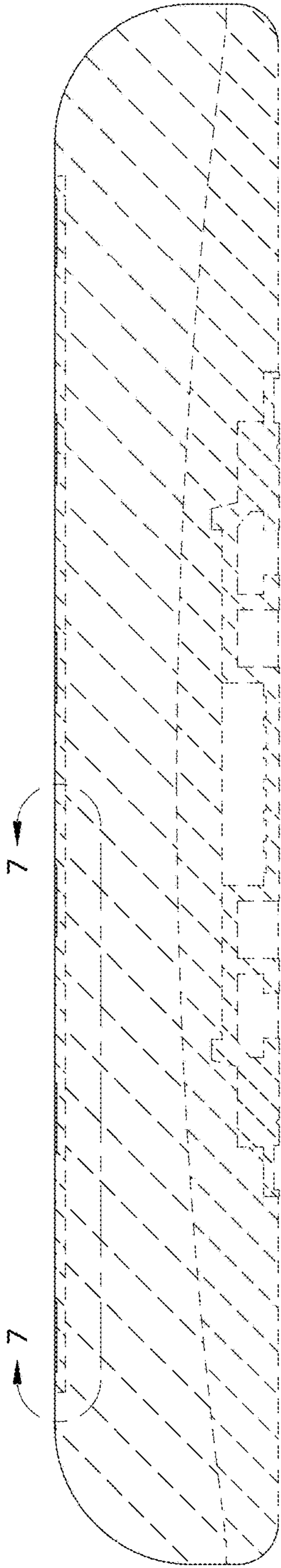


FIG. 6

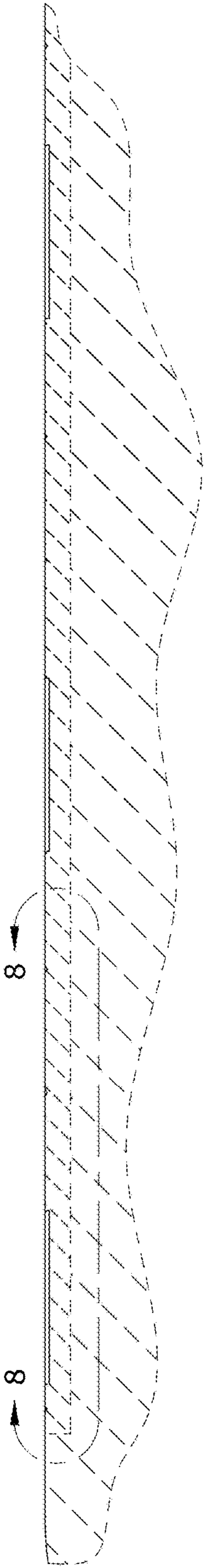


FIG. 7

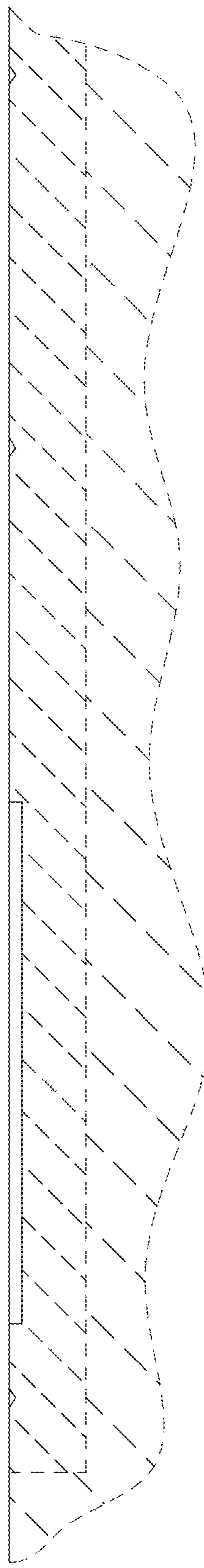


FIG. 8