



US00D864003S

(12) **United States Design Patent** (10) **Patent No.:** **US D864,003 S**
Wu (45) **Date of Patent:** **** Oct. 22, 2019**

(54) **ELECTRONIC SCALE**

(56) **References Cited**

(71) Applicant: **OHAUS Instruments (Changzhou) Co., Ltd.**, Changzhou, Jiangsu (CN)

(72) Inventor: **Jian Wu**, Shanghai (CN)

(73) Assignee: **OHAUS INSTRUMENTS (CHANGZHOU) CO., LTD.**, Changzhou, Jiangsu (CN)

(**) Term: **15 Years**

(21) Appl. No.: **29/669,924**

(22) Filed: **Nov. 13, 2018**

U.S. PATENT DOCUMENTS

8,067,705 B2 *	11/2011	Izumo	G01G 21/30 177/180
8,203,086 B2 *	6/2012	Izumo	G01G 21/30 177/180
D727,766 S *	4/2015	Wu	D10/91
D727,767 S *	4/2015	Wu	D10/91
D787,965 S *	5/2017	Pan	D10/91
D787,966 S *	5/2017	Pan	D10/91

* cited by examiner

Primary Examiner — Antoine Duval Davis

(74) *Attorney, Agent, or Firm* — Standley Law Group LLP; Jeffrey S. Standley; Stephen L. Grant

(57) **CLAIM**

The ornamental design for an electronic scale, as shown and described.

Related U.S. Application Data

(62) Division of application No. 29/610,962, filed on Jul. 18, 2017, now Pat. No. Des. 841,502.

(51) **LOC (12) Cl.** **10-04**

(52) **U.S. Cl.**
USPC **D10/91**

(58) **Field of Classification Search**
USPC D10/91
CPC G01G 21/28; G01G 21/283; G01G 21/286;
G01G 21/30; G01G 23/37; G01G
23/3728; G01G 23/3735

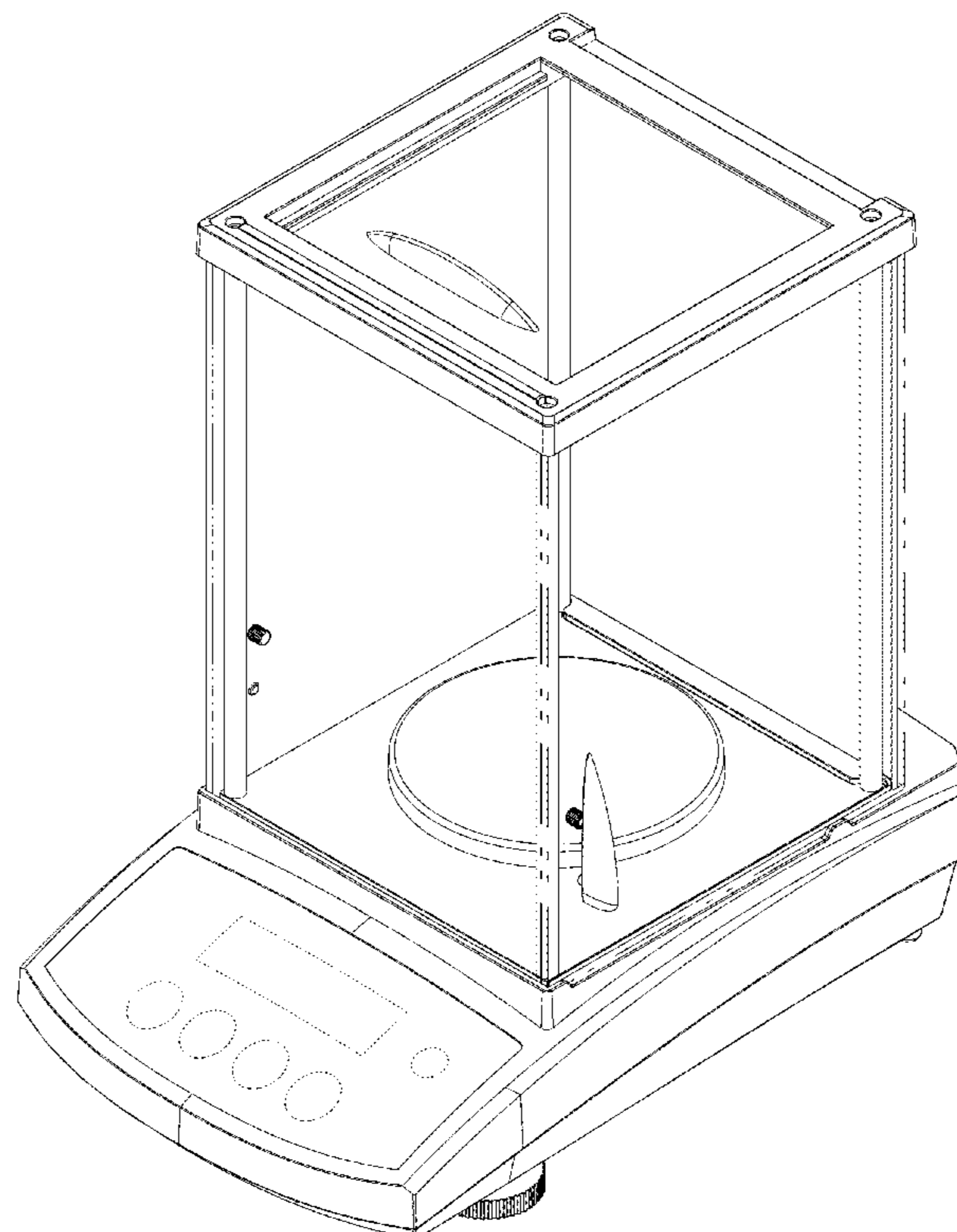
See application file for complete search history.

DESCRIPTION

FIG. 1 is a left front perspective view of an electronic scale; FIG. 2 is a front elevation view thereof; FIG. 3 is a right side elevation view thereof; FIG. 4 is a rear elevation view thereof; FIG. 5 is a left side elevation view thereof; FIG. 6 is a bottom plan thereof; and, FIG. 7 is a top plan view thereof.

The broken lines in the figures depict unclaimed environmental subject matter.

1 Claim, 7 Drawing Sheets



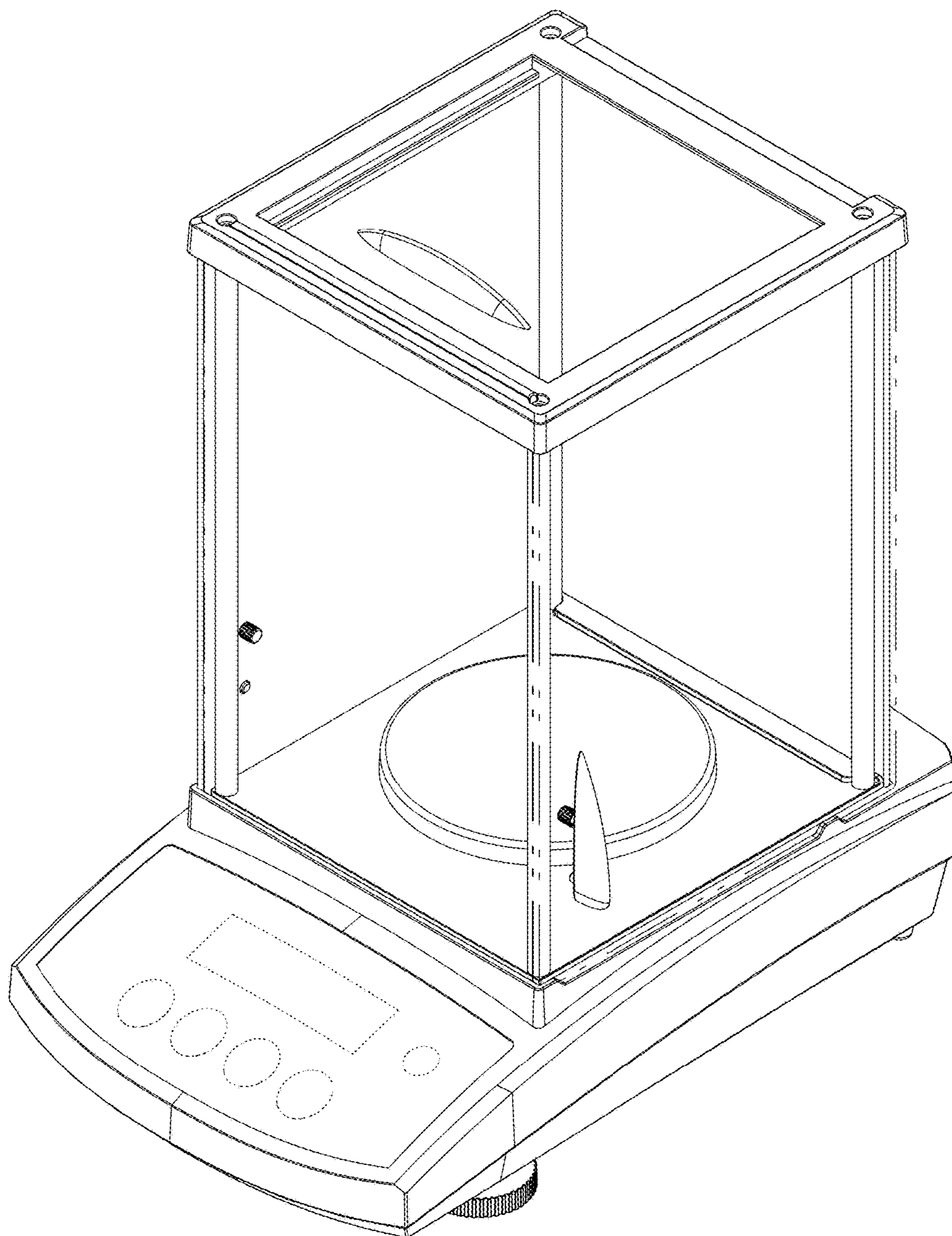


FIG. 1

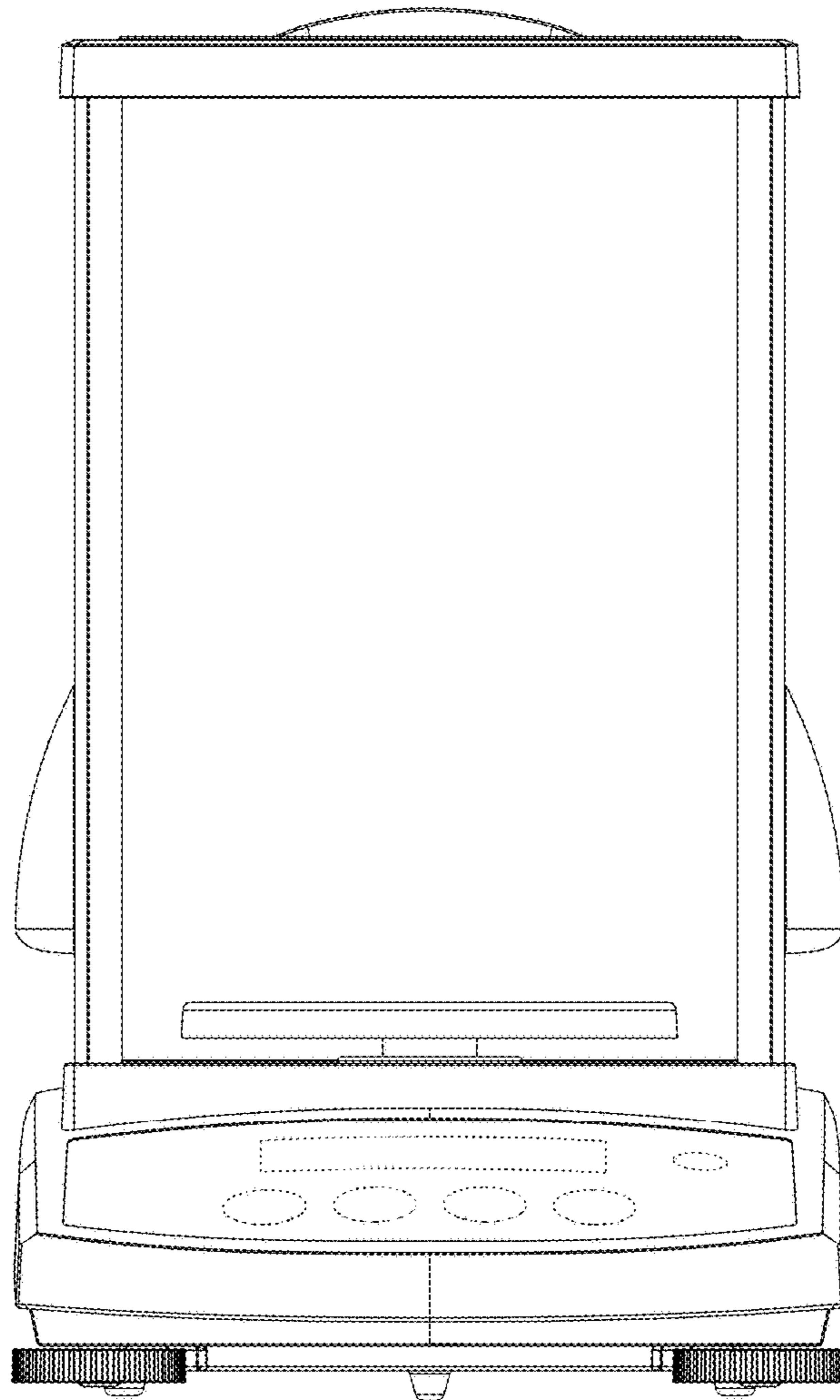


FIG. 2

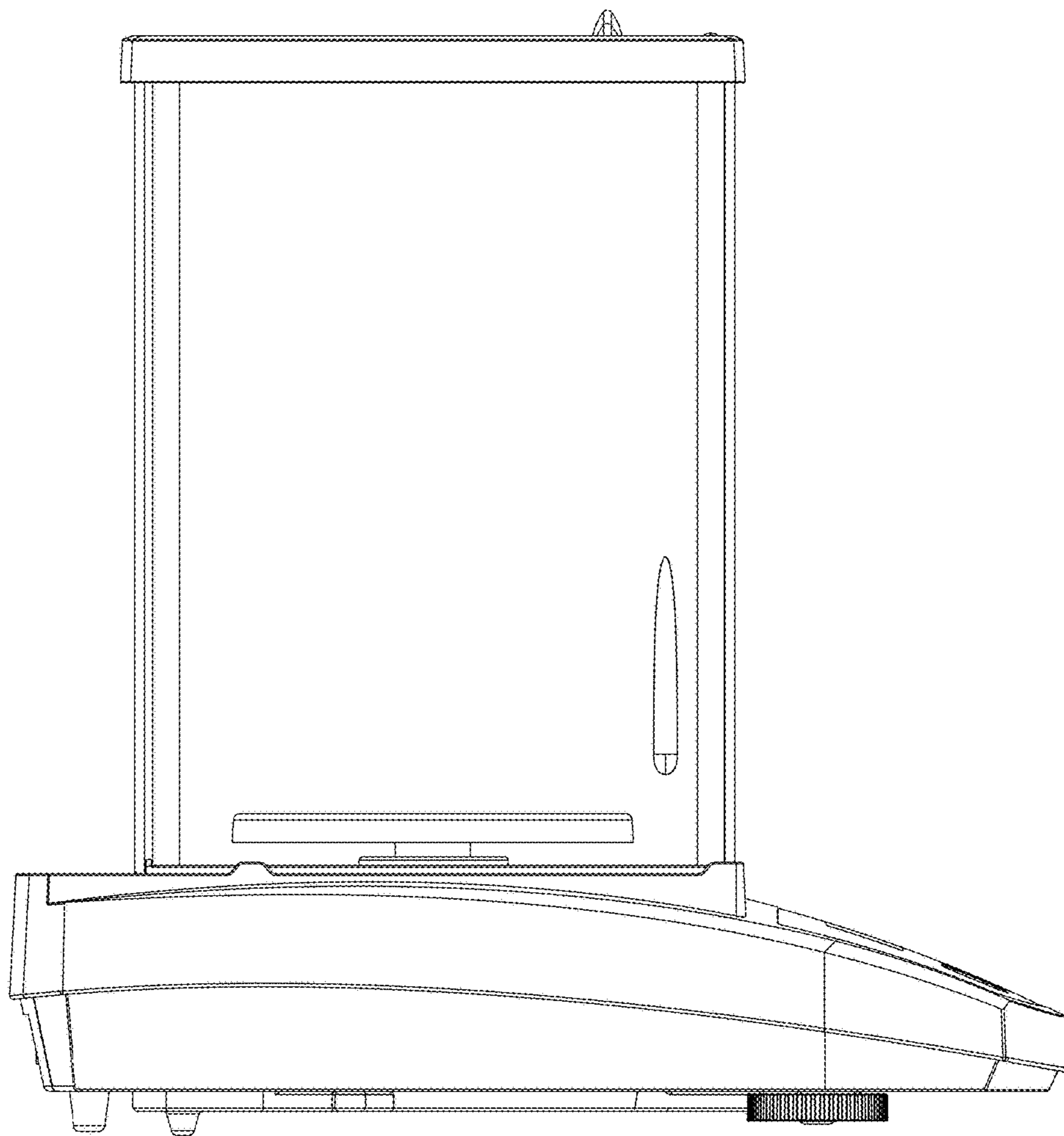


FIG. 3

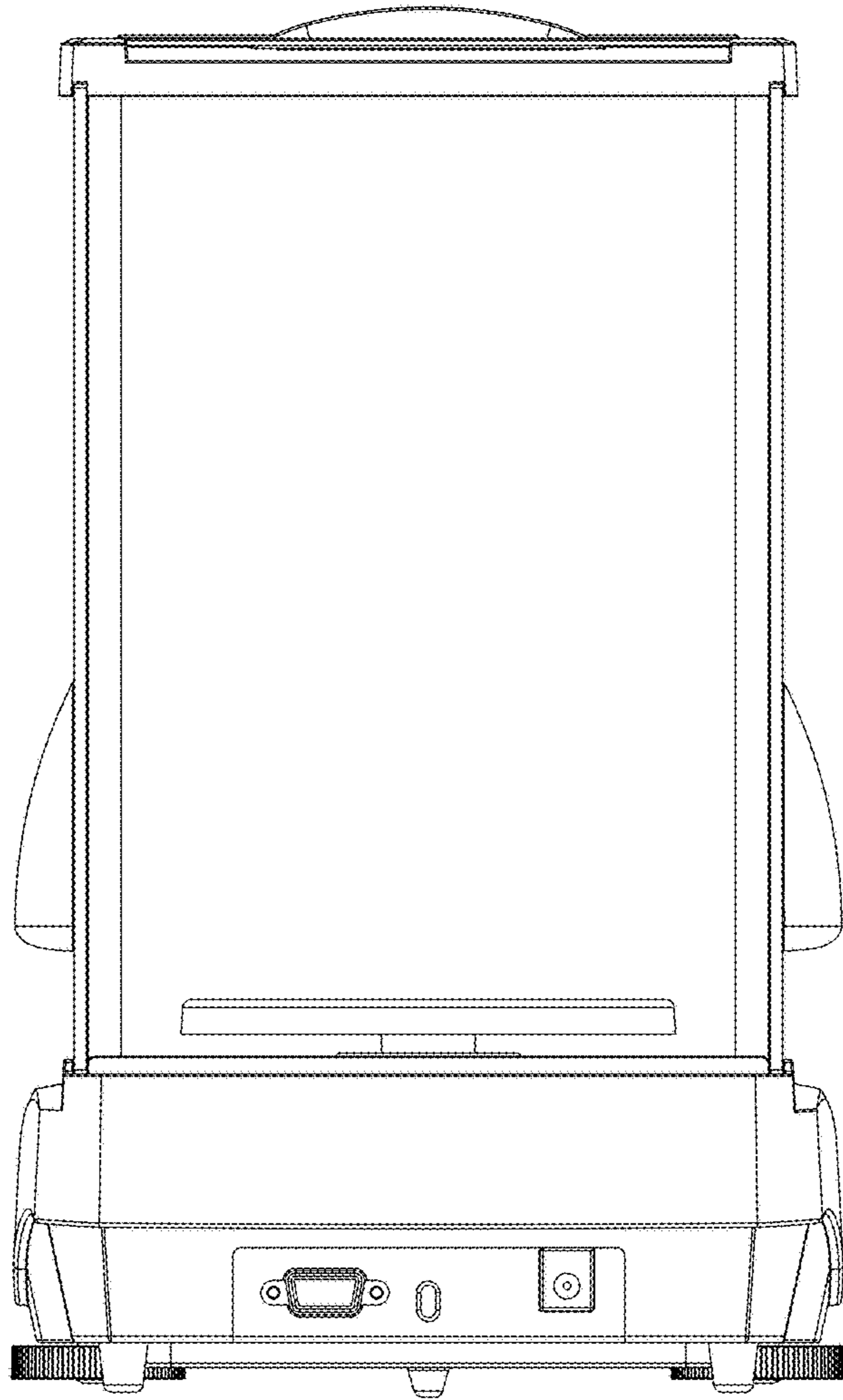


FIG. 4

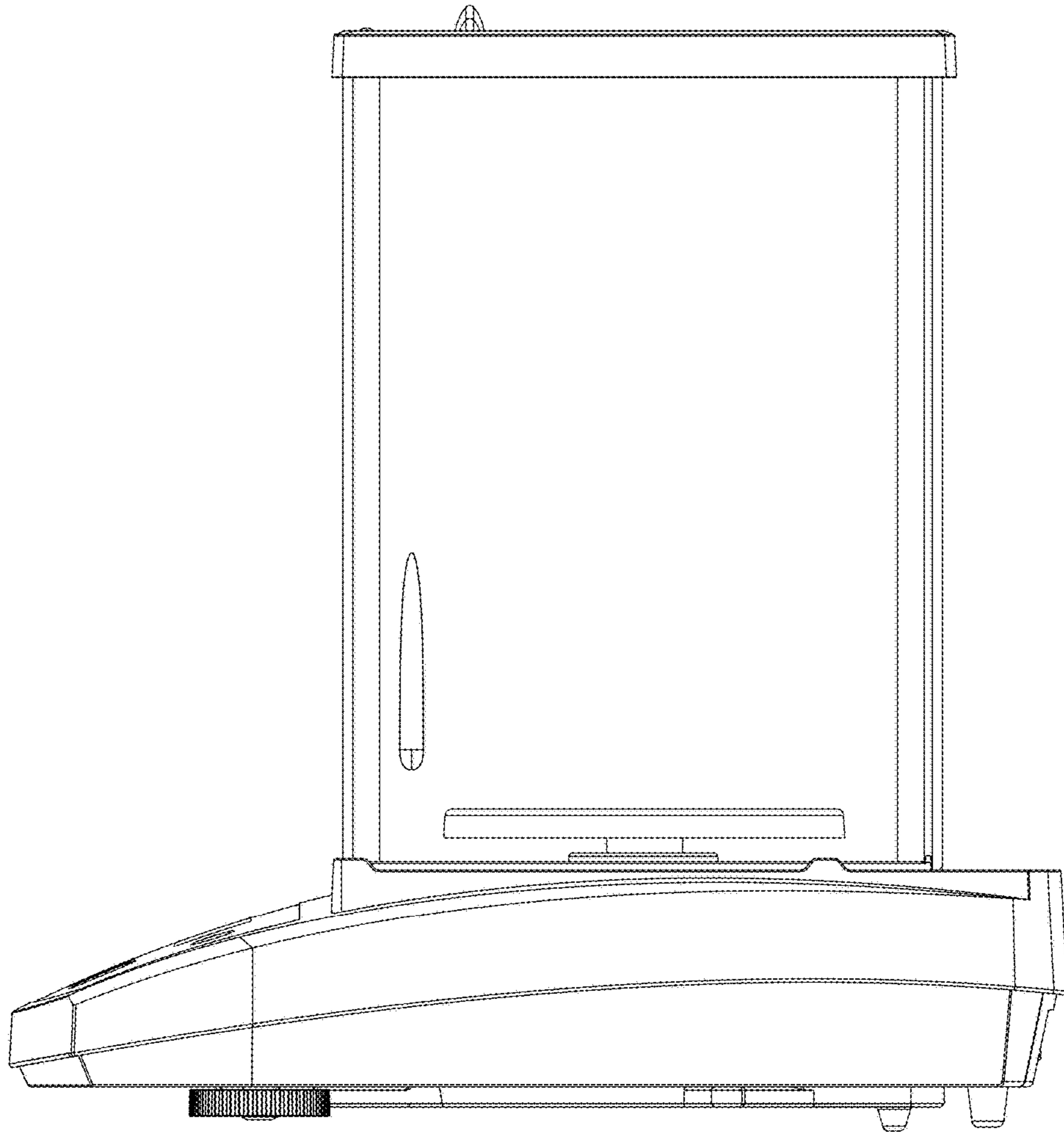


FIG. 5

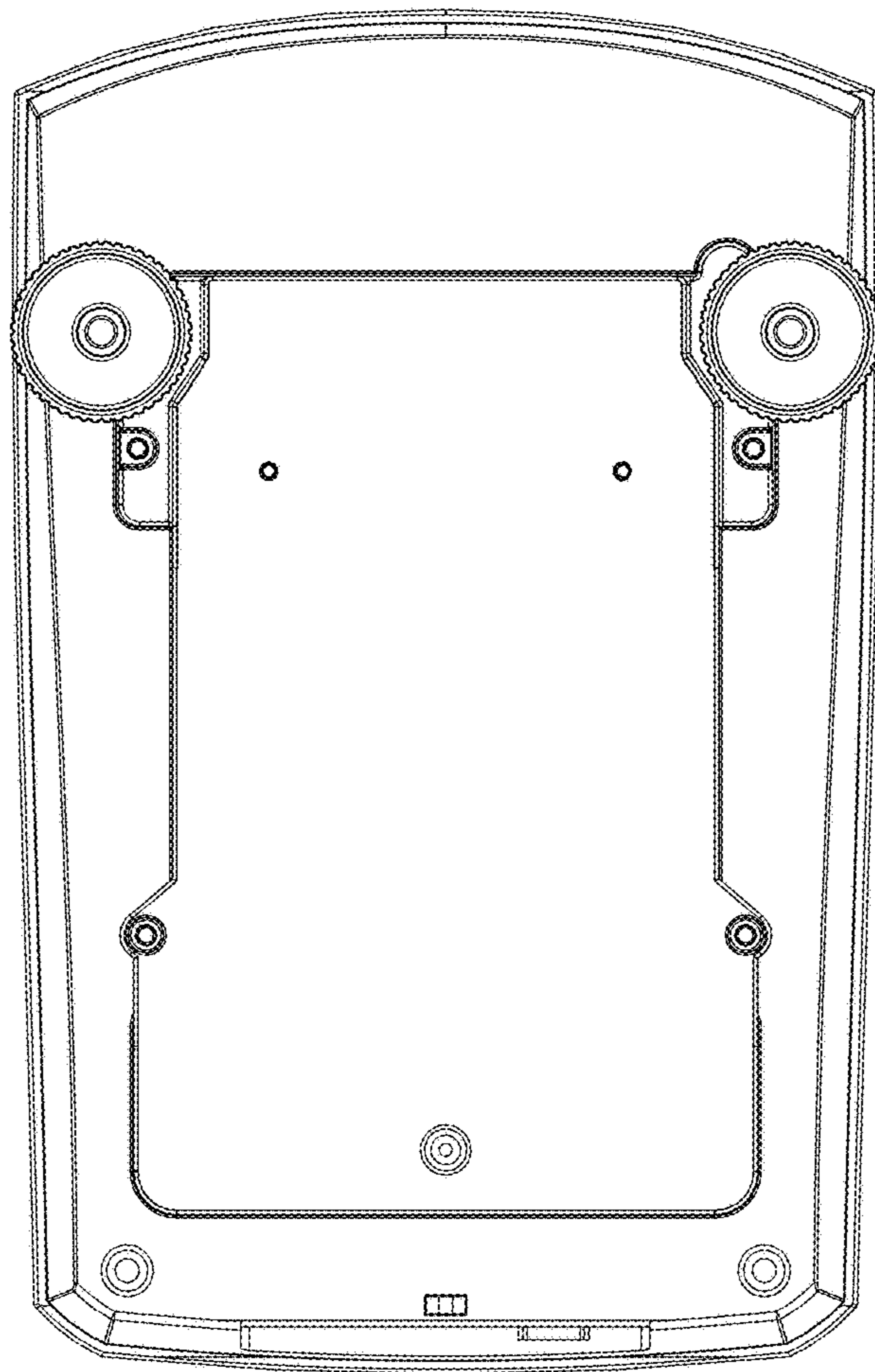


FIG. 6

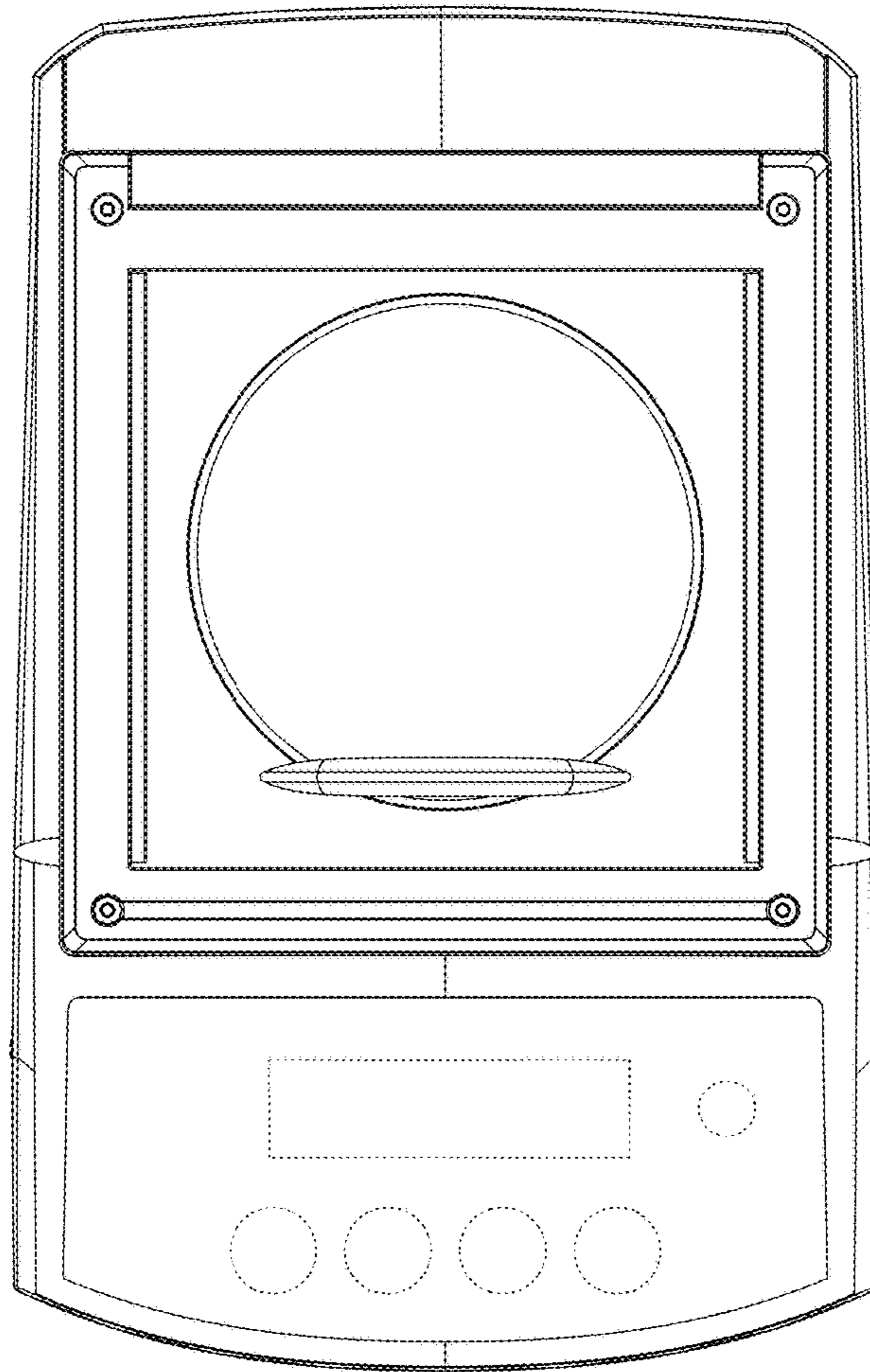


FIG. 7