



US00D864000S

(12) **United States Design Patent**  
**Staton et al.**

(10) **Patent No.: US D864,000 S**  
(45) **Date of Patent: \*\* Oct. 22, 2019**

(54) **TITRATOR**

G01N 31/18; G01N 31/20; G01N 31/22;  
G01N 2021/1751; Y10T 436/116664;  
Y10T 436/13

(71) Applicant: **THERMO ORION INC.**, Chelmsford,  
MA (US)

See application file for complete search history.

(72) Inventors: **John M. Staton**, Waltham, MA (US);  
**William A. Liberis, Jr.**, Somerville,  
MA (US); **Aaron Szymanski**,  
Thomaston, CT (US); **Mohan  
Rajasekaran**, Bristol, CT (US)

(56) **References Cited**

U.S. PATENT DOCUMENTS

D417,634 S \* 12/1999 Aebi ..... D10/81

\* cited by examiner

*Primary Examiner* — Antoine Duval Davis

(73) Assignee: **THERMO ORION INC.**, Chelmsford,  
MA (US)

(74) *Attorney, Agent, or Firm* — Wood Herron & Evans  
LLP

(\*\*) Term: **15 Years**

(57) **CLAIM**

(21) Appl. No.: **29/667,721**

The ornamental design for a titrator, as shown and described.

(22) Filed: **Oct. 24, 2018**

**DESCRIPTION**

**Related U.S. Application Data**

(62) Division of application No. 29/608,514, filed on Jun.  
22, 2017, now Pat. No. Des. 836,014.

(51) **LOC (12) Cl.** ..... **10-04**

(52) **U.S. Cl.**  
USPC ..... **D10/81; D24/216**

(58) **Field of Classification Search**  
USPC ..... D10/81; D24/216, 232, 233, 234  
CPC ..... B01L 3/0206; G01N 21/79; G01N 27/10;  
G01N 27/07; G01N 27/28; G01N 27/44;  
G01N 31/16; G01N 31/162; G01N  
31/164; G01N 31/166; G01N 31/168;

FIG. 1 is a front right perspective view of our new titrator  
design;

FIG. 2 is a front left perspective view of the titrator of FIG.  
1;

FIG. 3 is a front view of the titrator of FIG. 1;

FIG. 4 is a right side view of the titrator of FIG. 1;

FIG. 5 is a left side view of the titrator of FIG. 1;

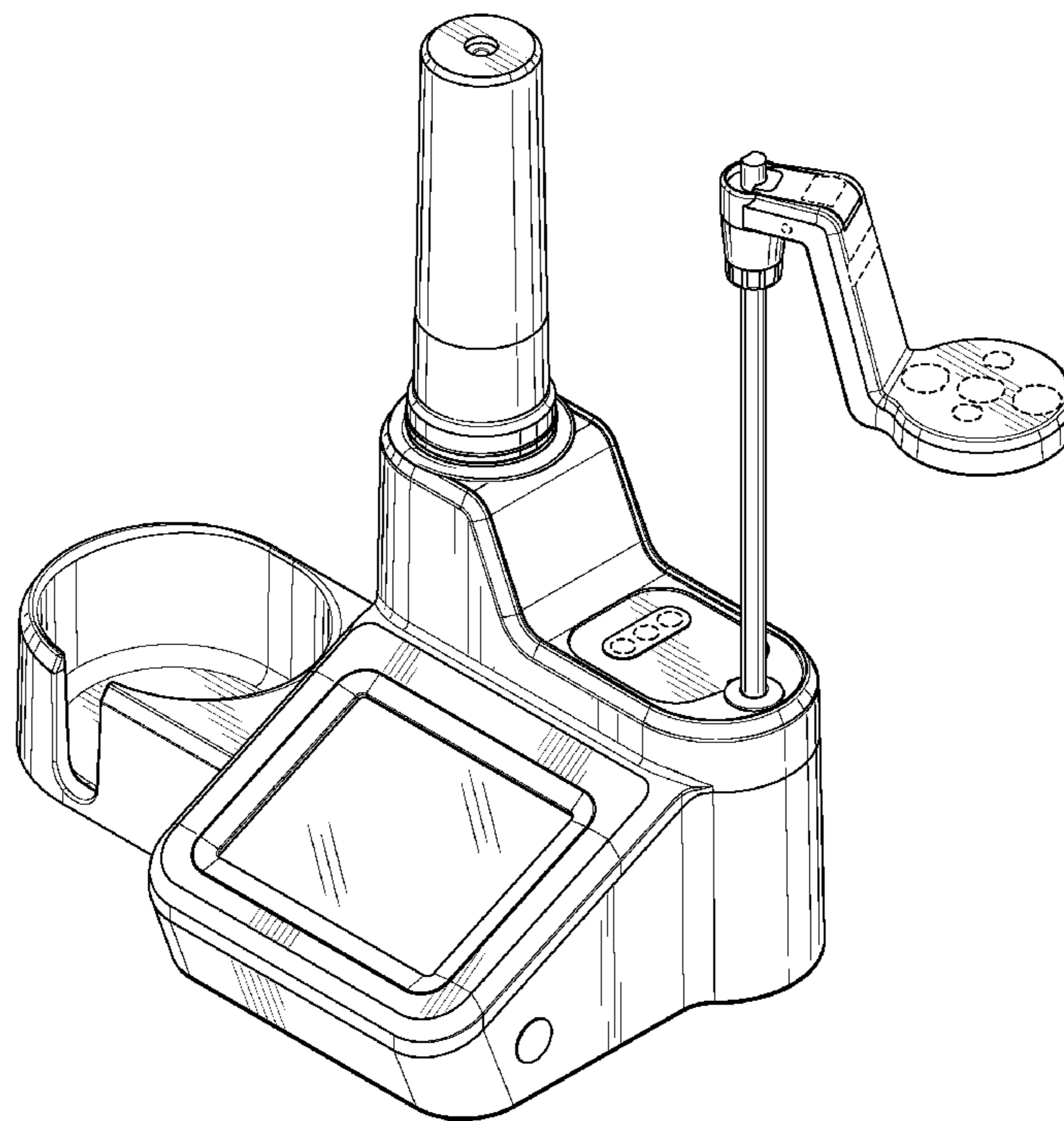
FIG. 6 is a rear view of the titrator of FIG. 1;

FIG. 7 is a top view of the titrator of FIG. 1; and,

FIG. 8 is a bottom view of the titrator of FIG. 1.

The features of the titrator shown in broken lines are for  
illustrative purposes only and form no part of the claimed  
design.

**1 Claim, 7 Drawing Sheets**



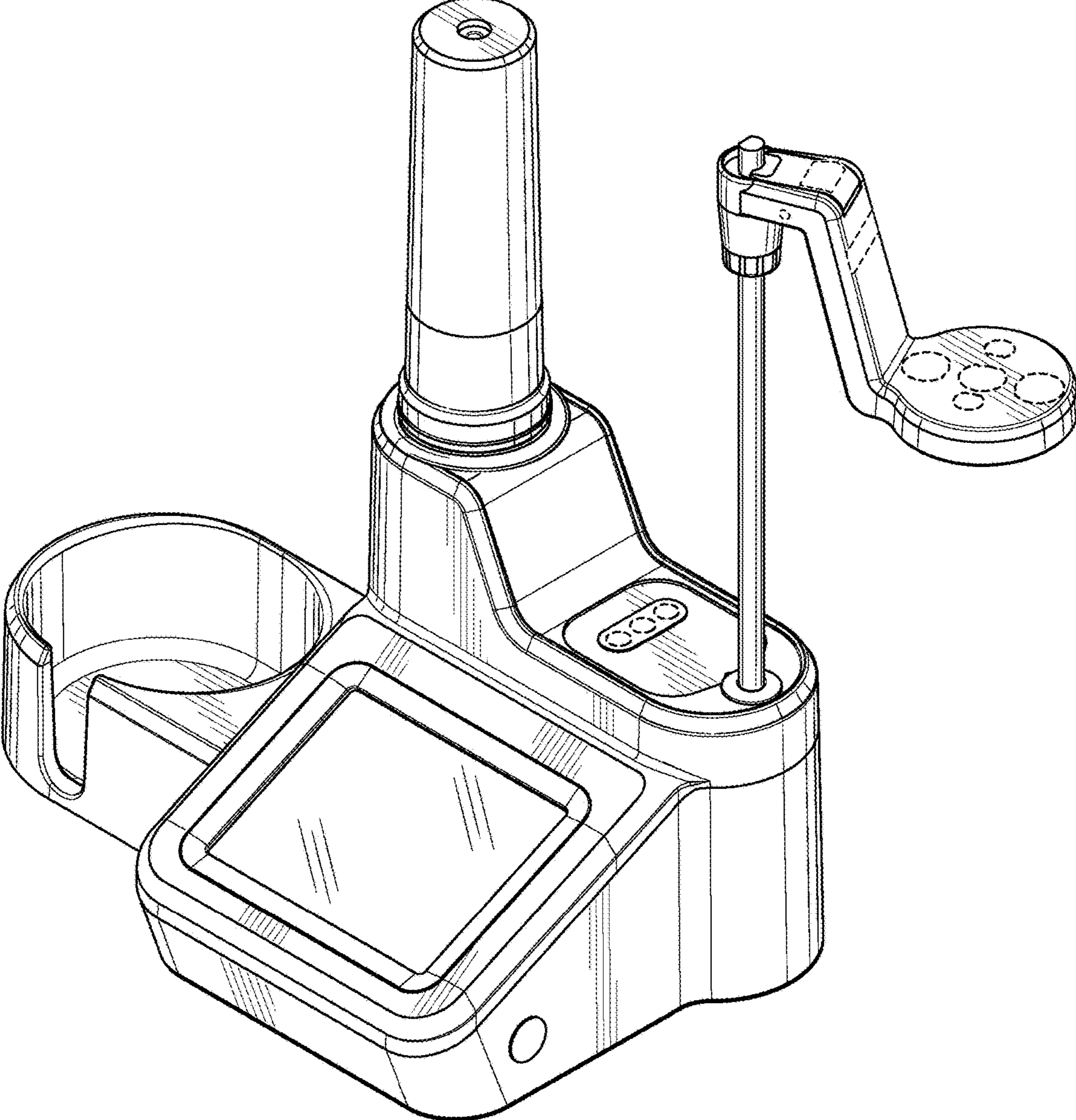


FIG. 1

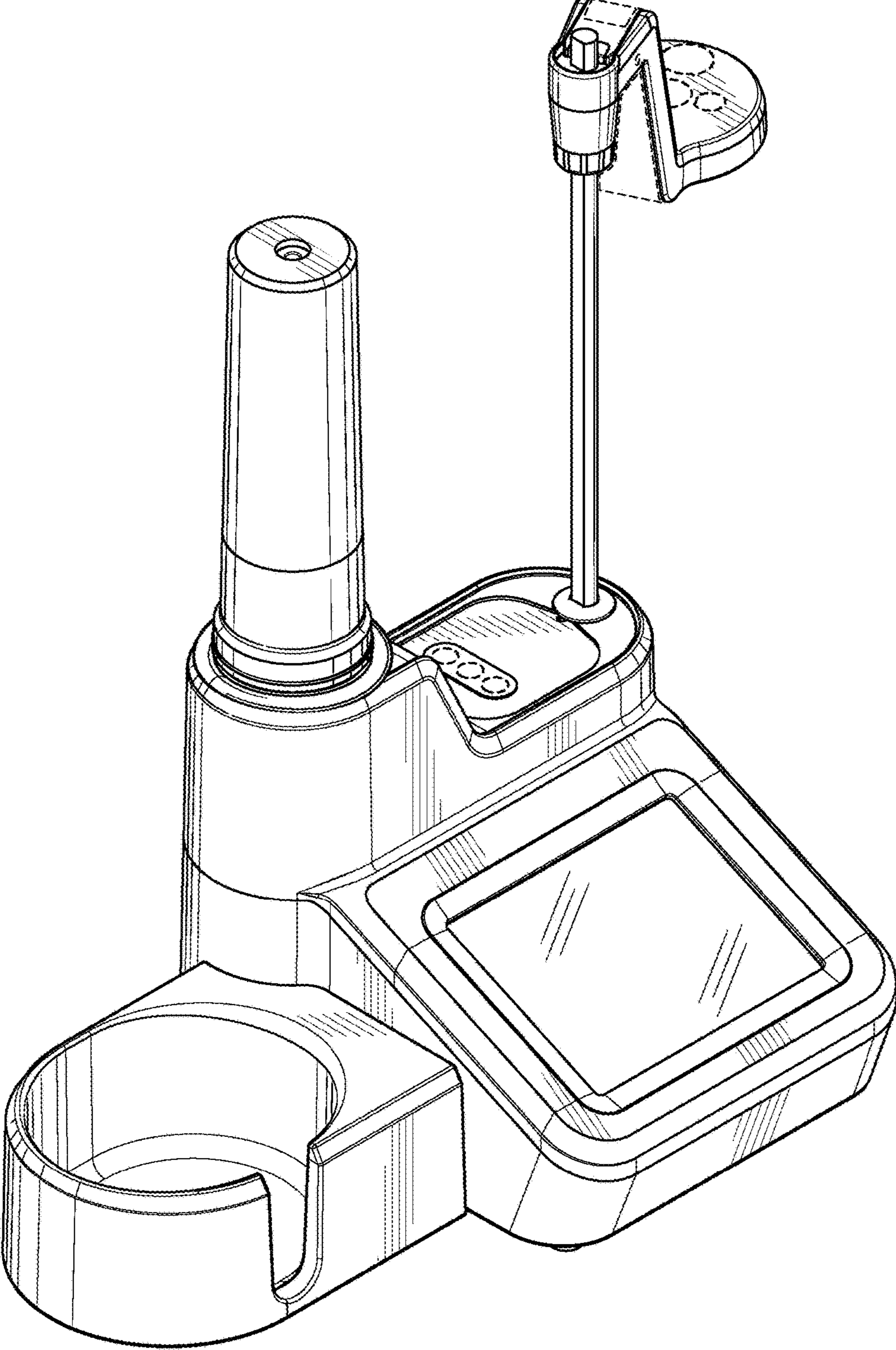


FIG. 2

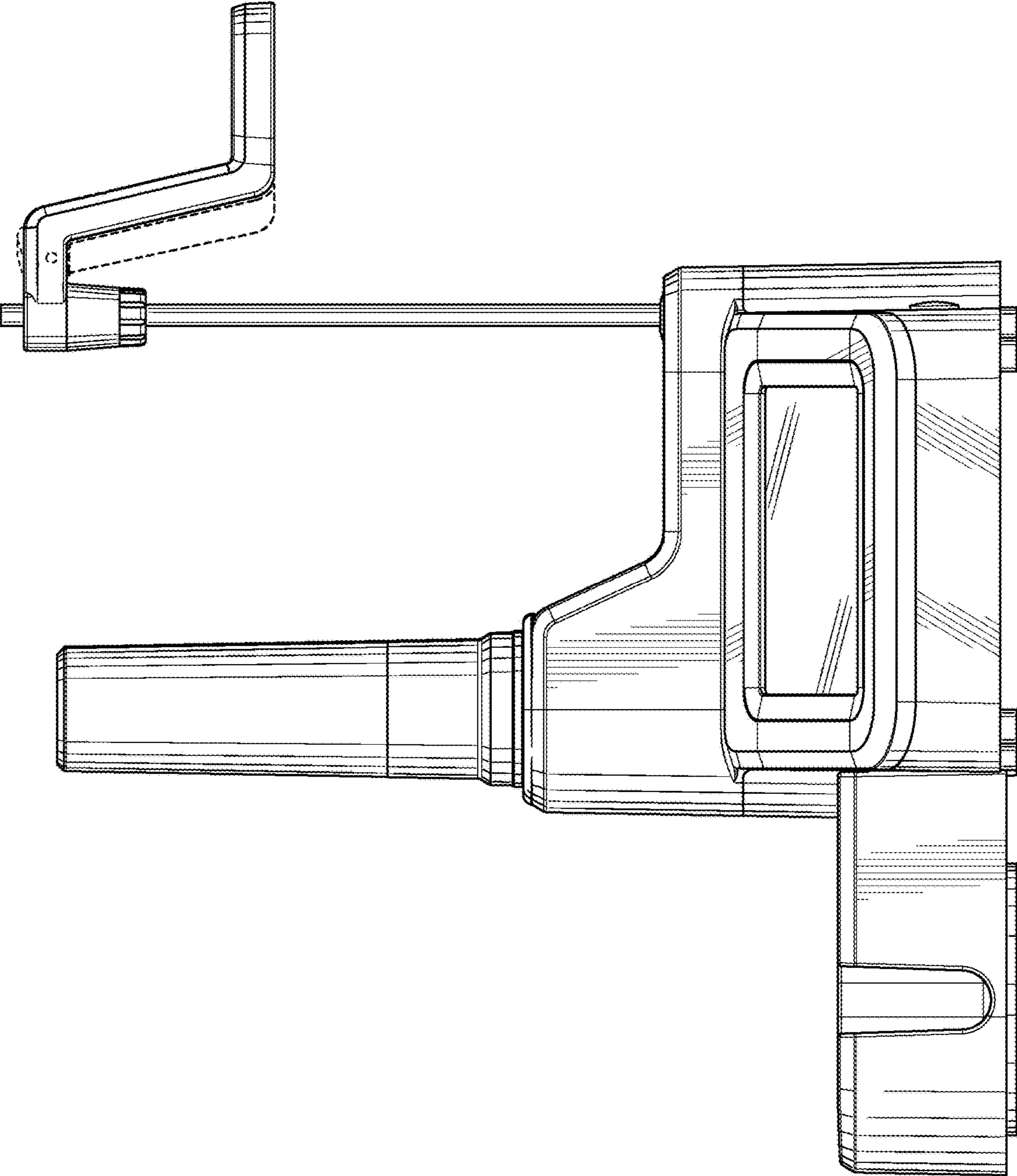


FIG. 3

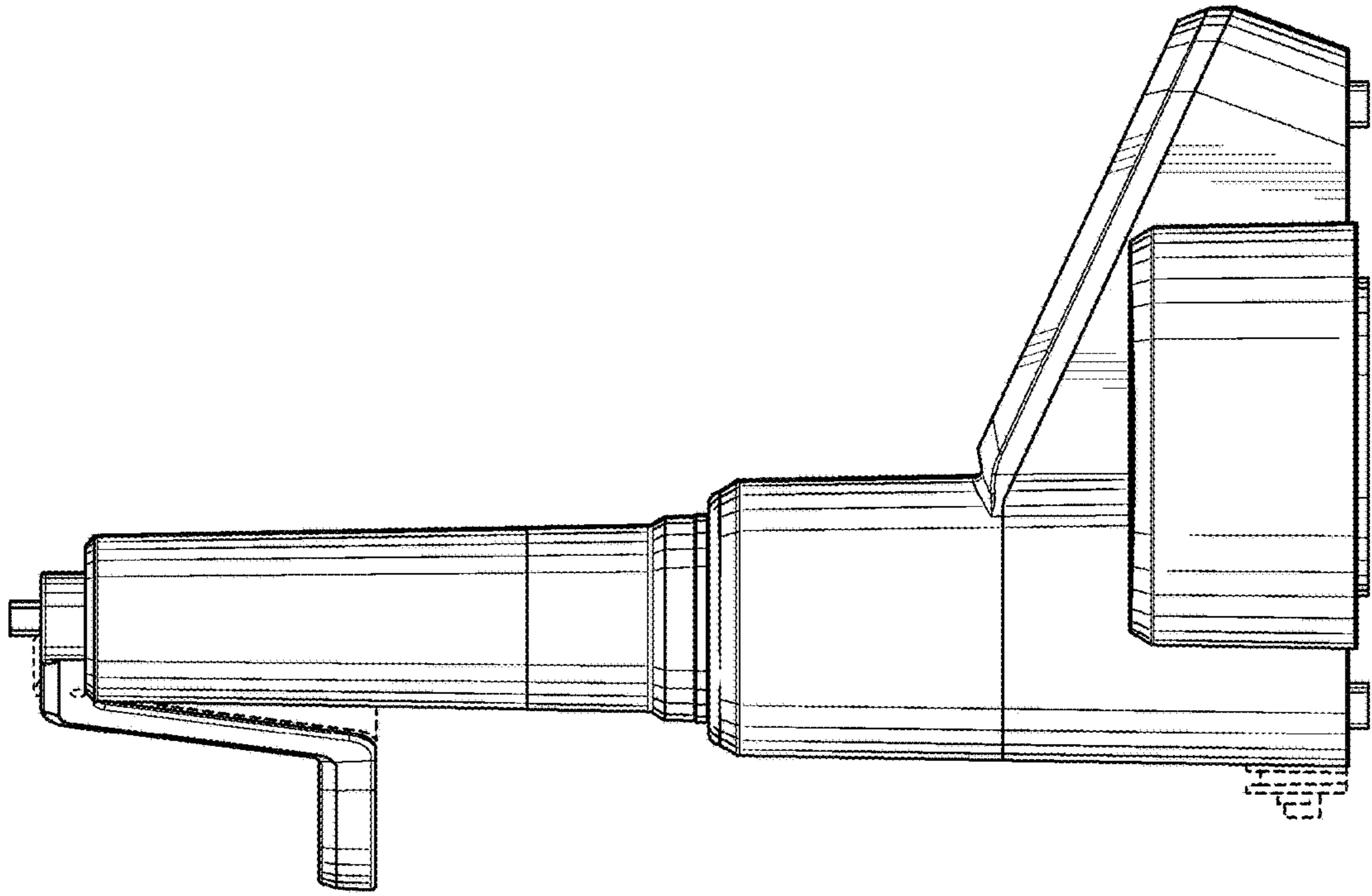


FIG. 5

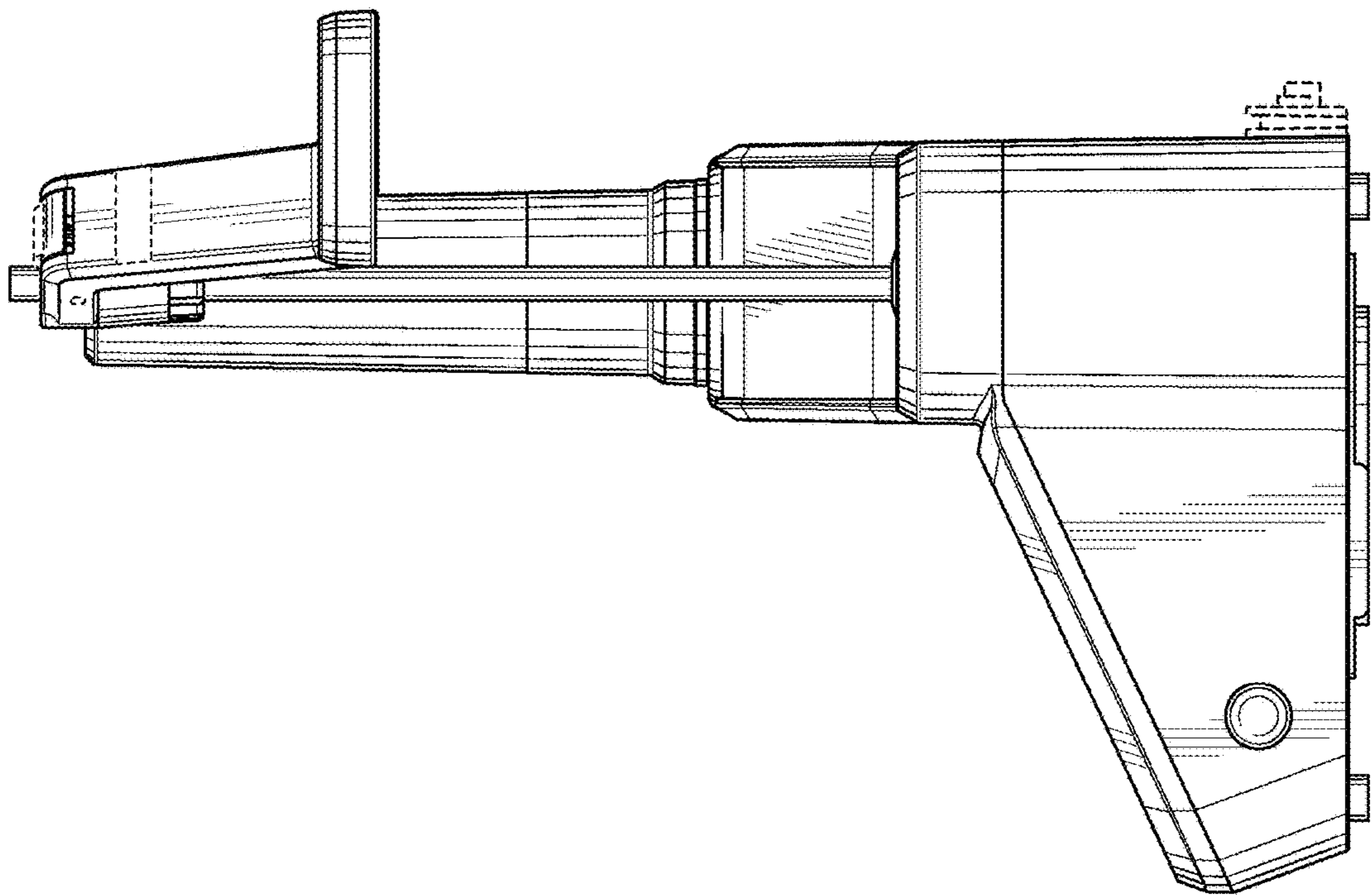


FIG. 4

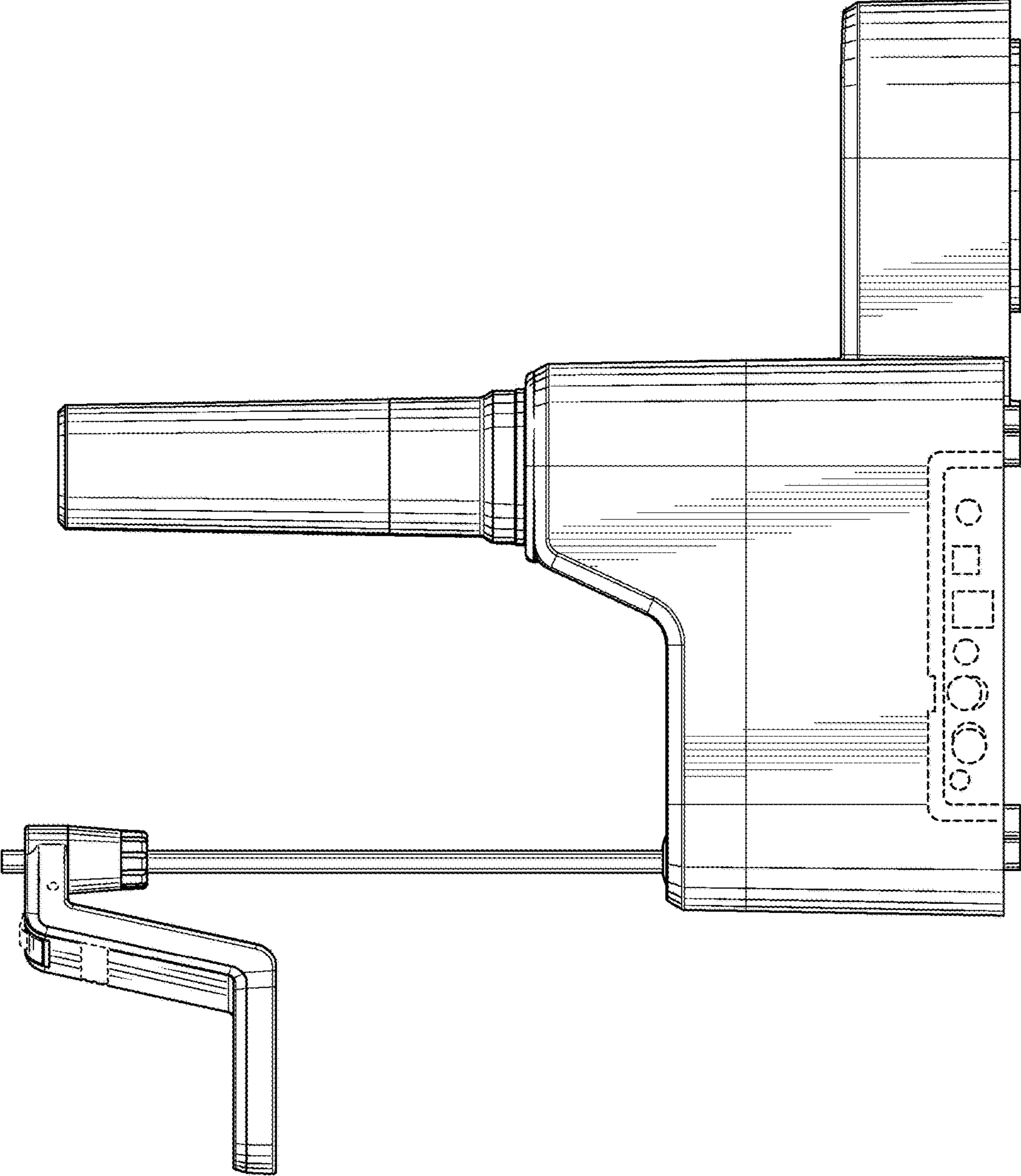


FIG. 6

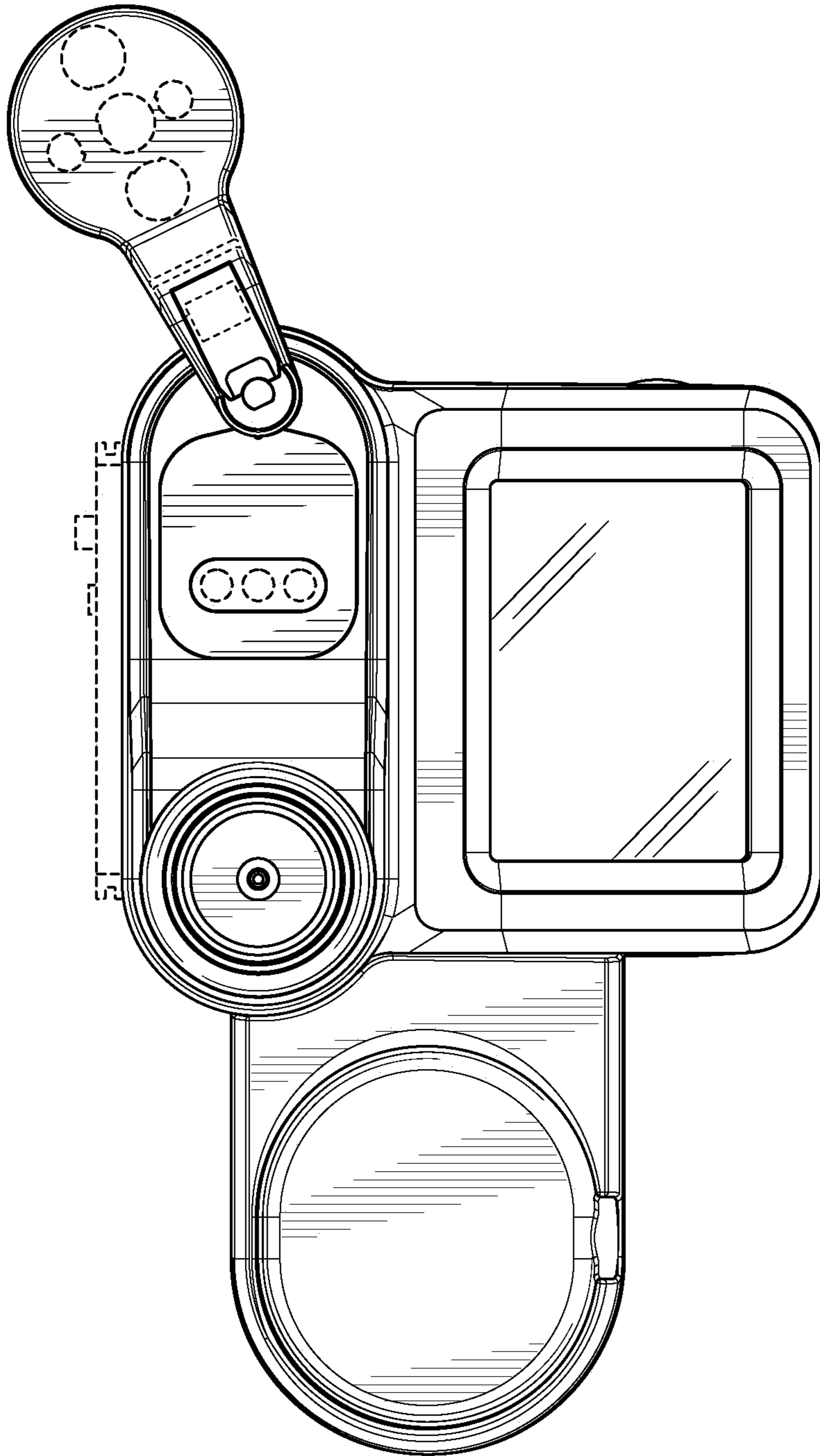


FIG. 7

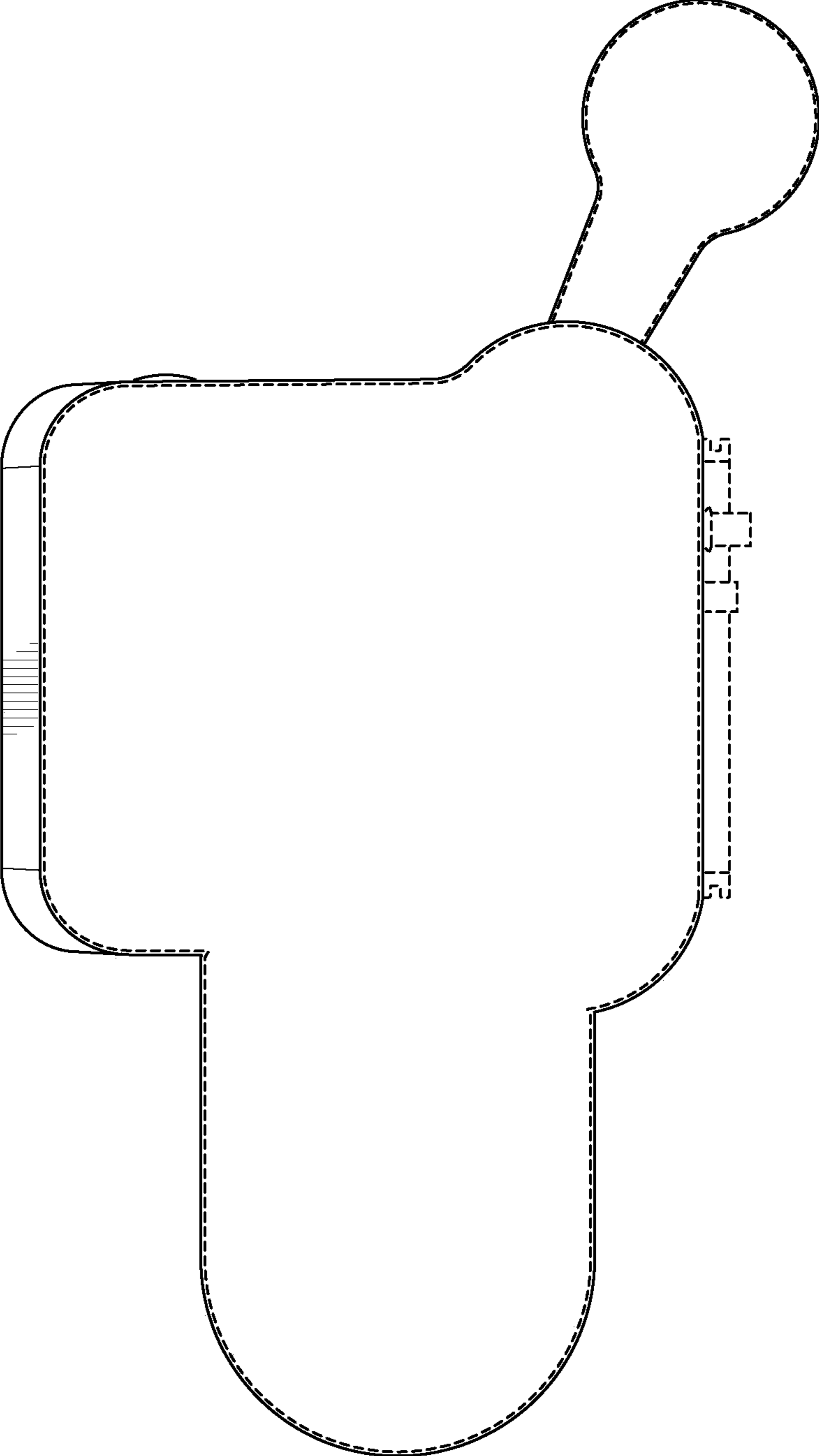


FIG. 8