



(12) **United States Design Patent**
Rainer

(10) **Patent No.:** **US D863,999 S**
(45) **Date of Patent:** **** Oct. 22, 2019**

(54) **DEVICE WITH INTEGRATED SENSOR FOR INCORPORATION INTO FLUID MEASUREMENT SYSTEM**

(71) Applicant: **The Mercury Iron and Steel Co.**, Solon, OH (US)
(72) Inventor: **Michael D. Rainer**, Burton, OH (US)
(73) Assignee: **THE MERCURY IRON AND STEEL CO.**, Solon, OH (US)
(**) Term: **15 Years**

(21) Appl. No.: **29/653,800**
(22) Filed: **Jun. 19, 2018**
(51) **LOC (12) Cl.** **10-04**
(52) **U.S. Cl.**
USPC **D10/81**
(58) **Field of Classification Search**
USPC D10/81, 96
CPC .. G01N 21/41; G01N 21/412; G01N 21/4133;
G01N 21/43; G01N 21/431; G01N 21/45;
G01N 2021/4106; G01N 2021/4113;
G01N 2021/4126; G01N 2021/414; G01N
2021/4146; G01N 2021/4153; G01N
2021/416; G01N 2021/4166; G01N
2021/4173; G01N 2021/418; G01N
2021/4186; G01N 2021/4193; G01N
2021/432; G01N 2021/433; G01N
2021/434; G01N 2021/435; G01N
2021/436; G01N 2021/437; G01N
(Continued)

(56) **References Cited**

U.S. PATENT DOCUMENTS

D686,930 S * 7/2013 Rainer D10/81
D696,972 S * 1/2014 Rainer D10/81
(Continued)

OTHER PUBLICATIONS

Rainer, Michael D.; Design U.S. Appl. No. 29/653,799, entitled Miniature Inline Sensing Device for Continuous Measurement of Fluid Properties, filed Jun. 19, 2018; in its entirety.

Primary Examiner — Antoine Duval Davis
(74) *Attorney, Agent, or Firm* — Ulmer & Berne LLP

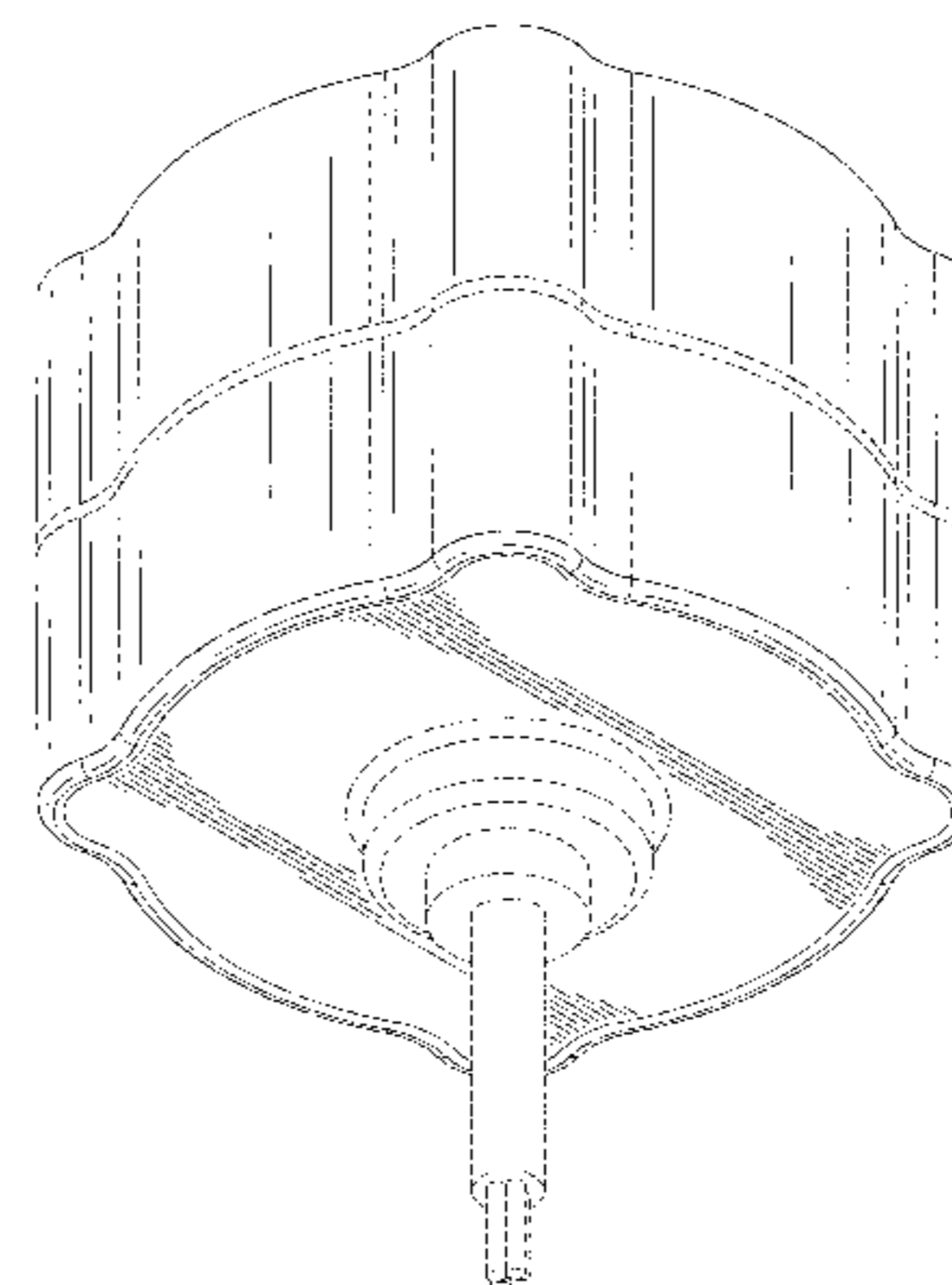
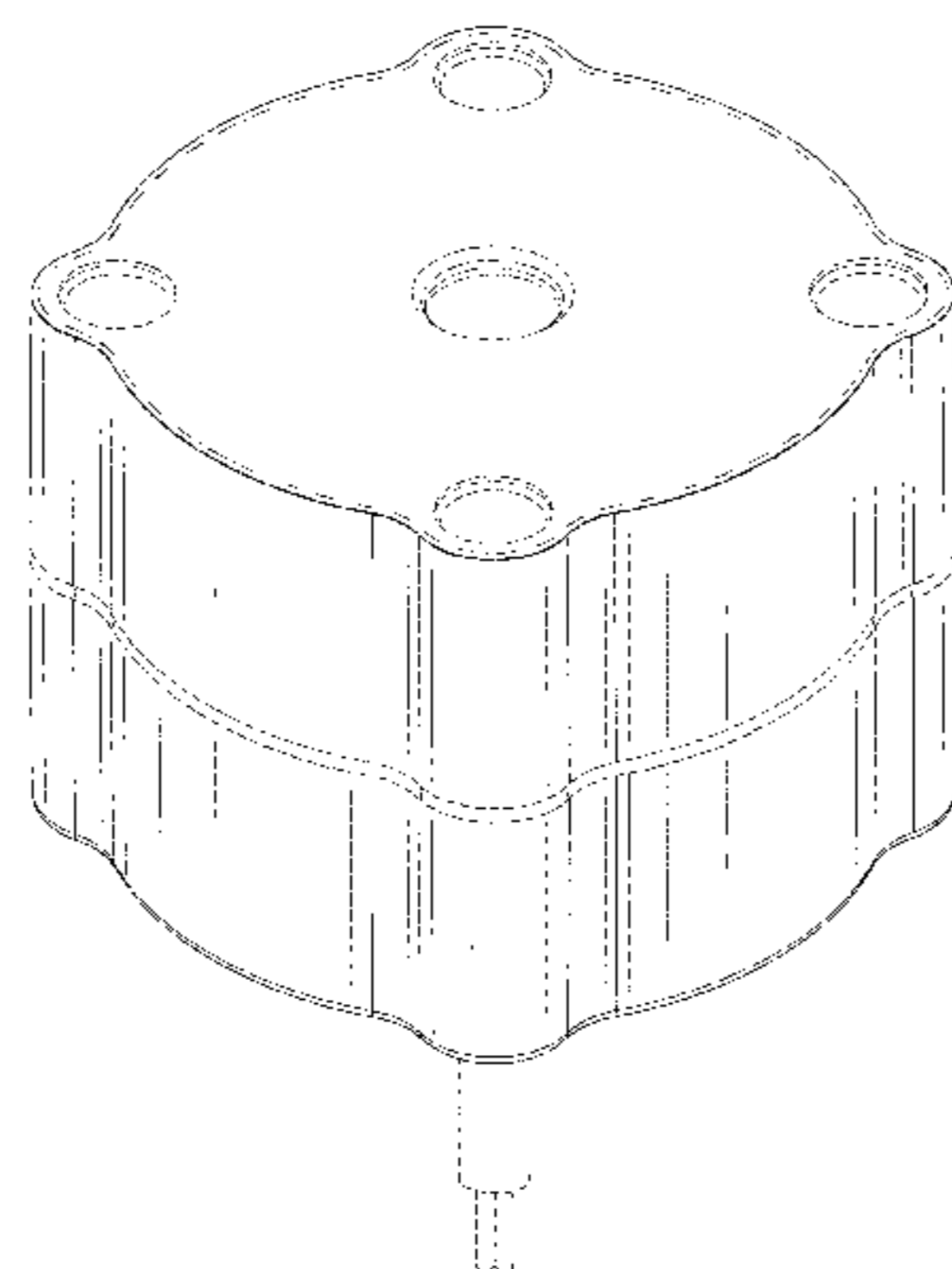
(57) **CLAIM**

The ornamental design for a device with integrated sensor for incorporation into fluid measurement system, as shown and described.

DESCRIPTION

FIG. 1 is a front top perspective view of the device with integrated sensor for incorporation into fluid measurement system;
FIG. 2 is a front elevational view of the device with integrated sensor for incorporation into fluid measurement system of FIG. 1;
FIG. 3 is a rear elevational view of the device with integrated sensor for incorporation into fluid measurement system of FIG. 1;
FIG. 4 is a right side elevational view of the device with integrated sensor for incorporation into fluid measurement system of FIG. 1;
FIG. 5 is a left side elevational view of the device with integrated sensor for incorporation into fluid measurement system of FIG. 1;
FIG. 6 is a top plan view of the device with integrated sensor for incorporation into fluid measurement system of FIG. 1;
FIG. 7 is a bottom plan view of the device with integrated sensor for incorporation into fluid measurement system of FIG. 1; and,
FIG. 8 is a rear bottom perspective view of the device with integrated sensor for incorporation into fluid measurement system of FIG. 1.
The broken-line disclosure of elements is understood to represent portions of the article in which the design is embodied, but which form no part of the claimed design.

1 Claim, 7 Drawing Sheets



(58) **Field of Classification Search**

CPC . 2021/438; G01N 2021/451; G01N 2021/456;
G01N 2021/458

See application file for complete search history.

(56) **References Cited**

U.S. PATENT DOCUMENTS

D704,082 S * 5/2014 Rainer D10/81
D834,435 S * 11/2018 Raghukumar D10/96

* cited by examiner

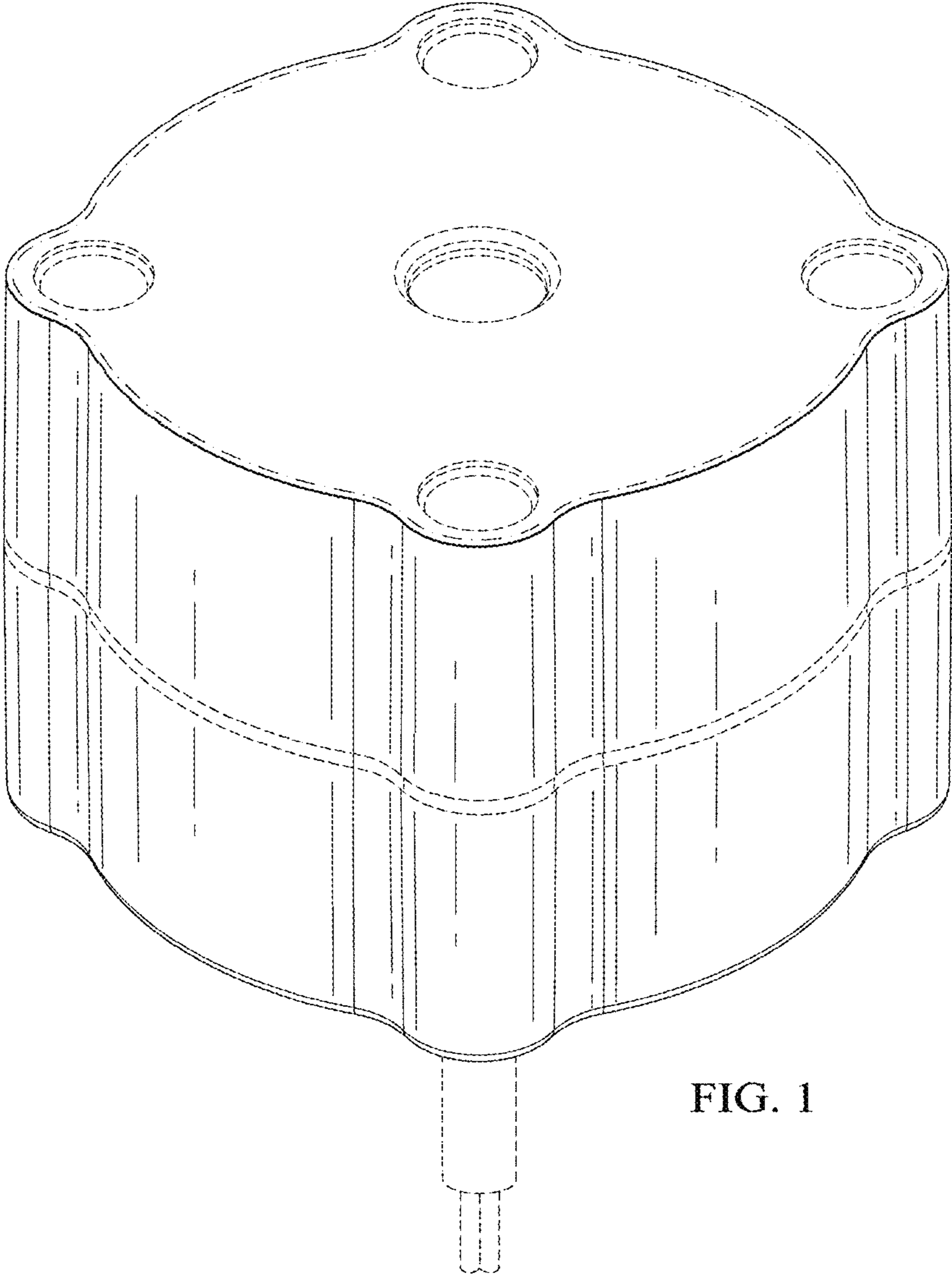


FIG. 1

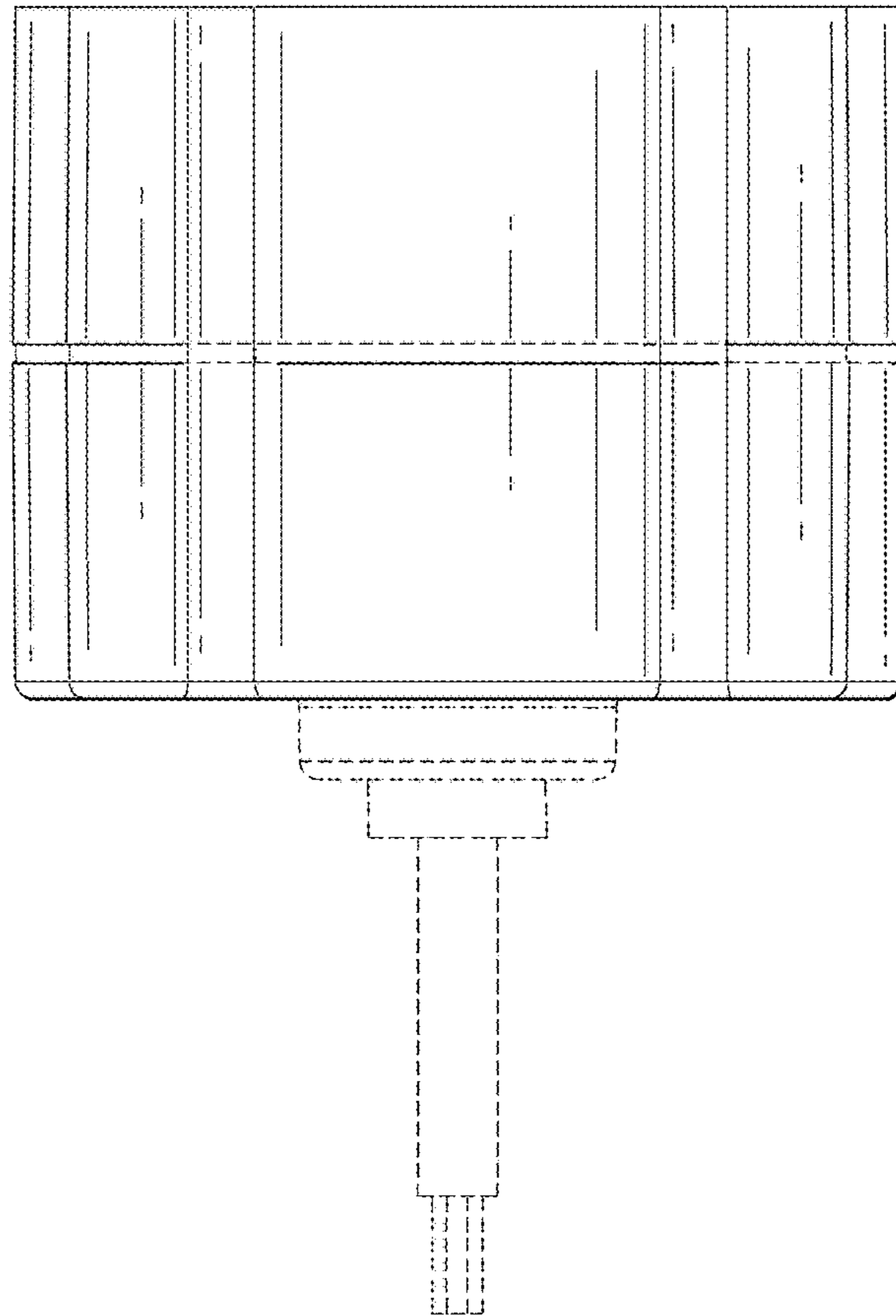


FIG. 2

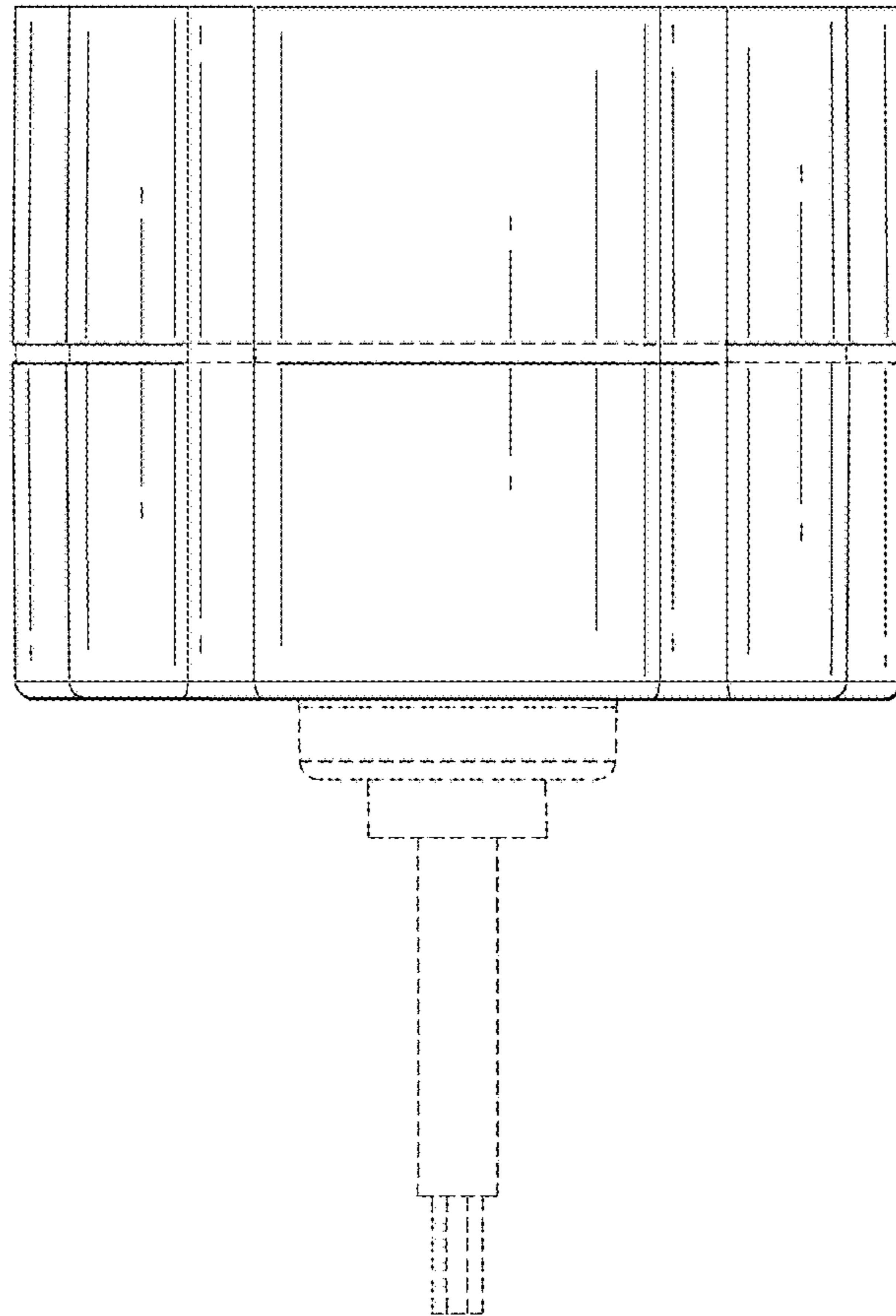


FIG. 3

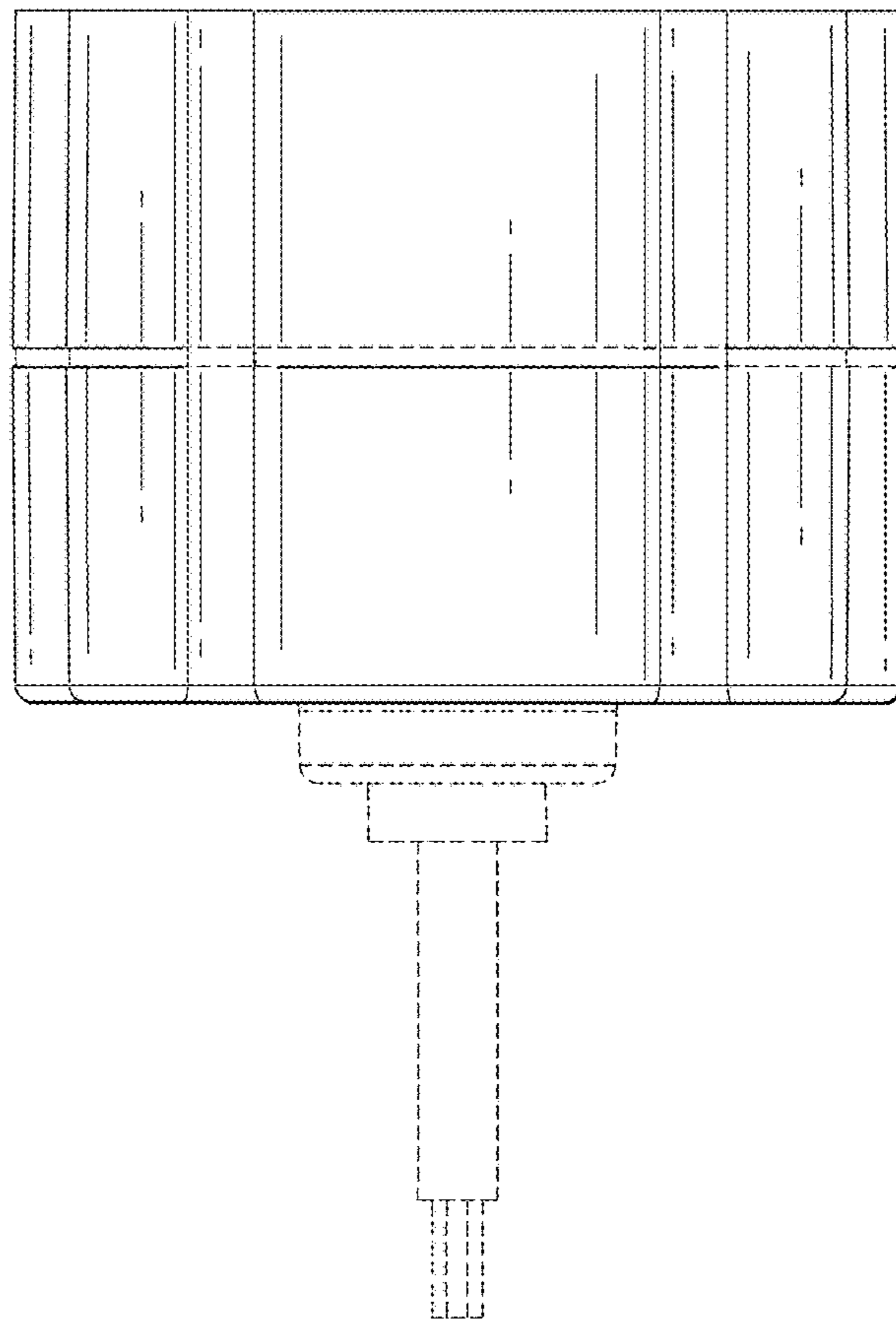


FIG. 4

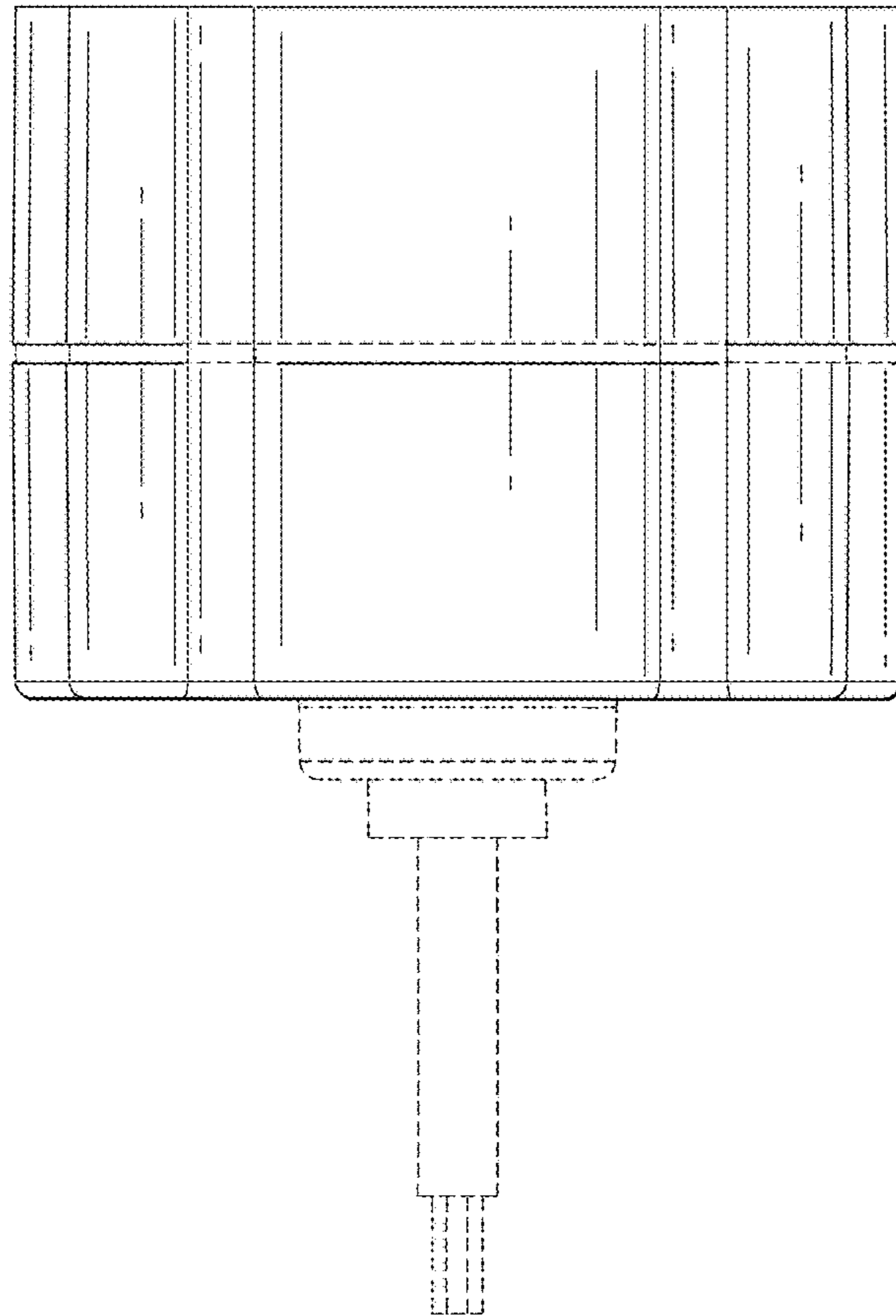


FIG. 5

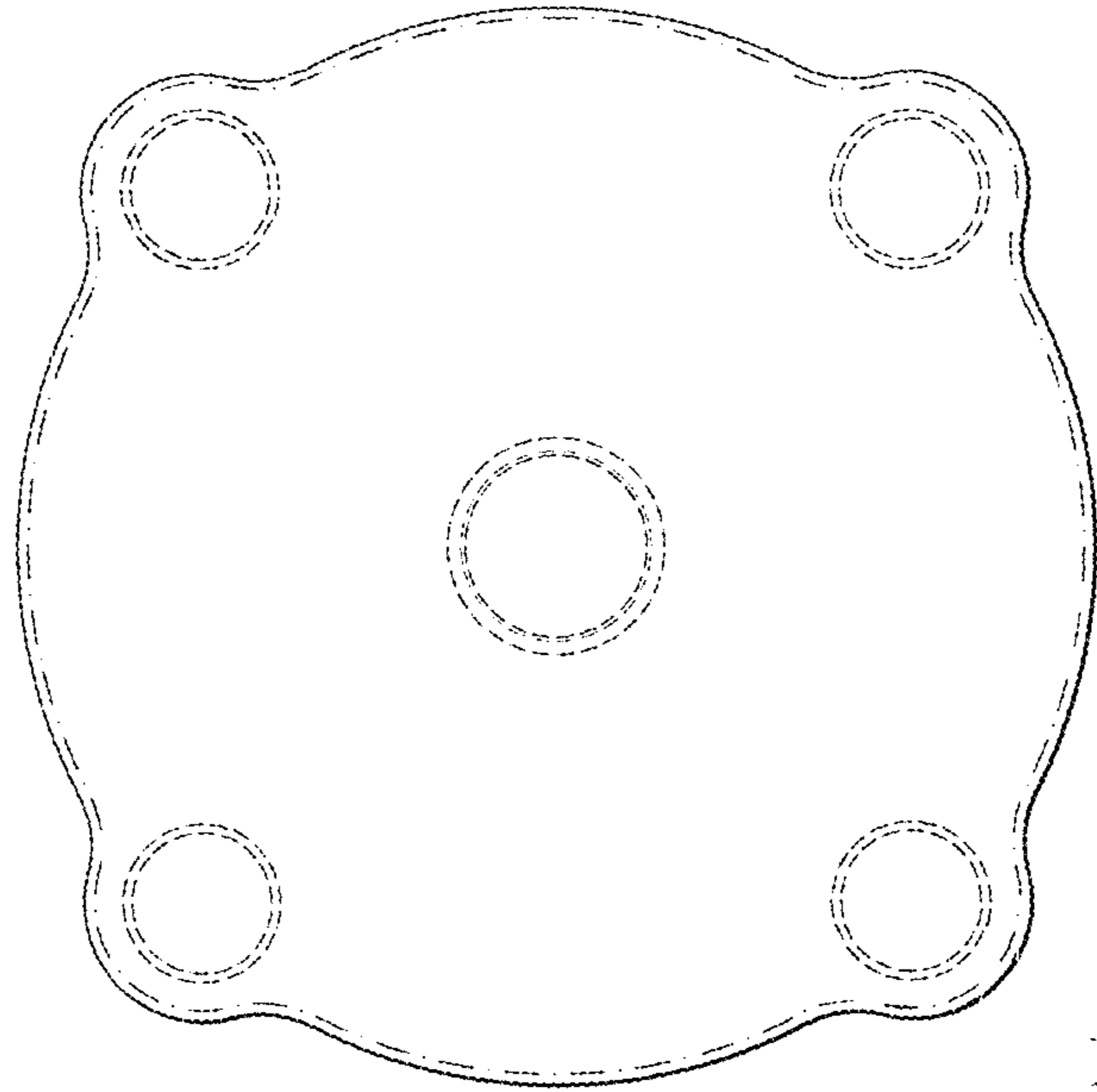


FIG. 6

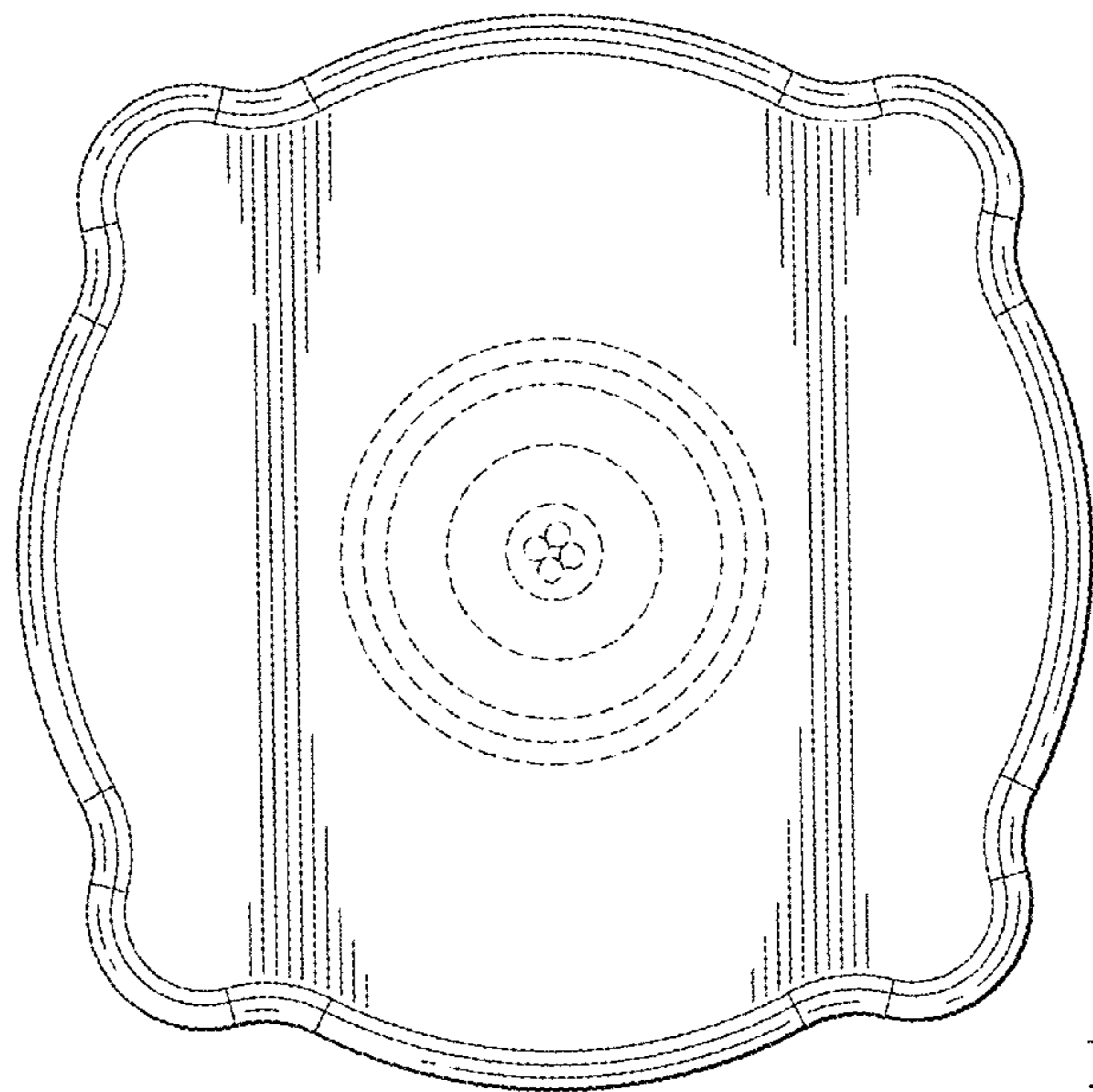


FIG. 7

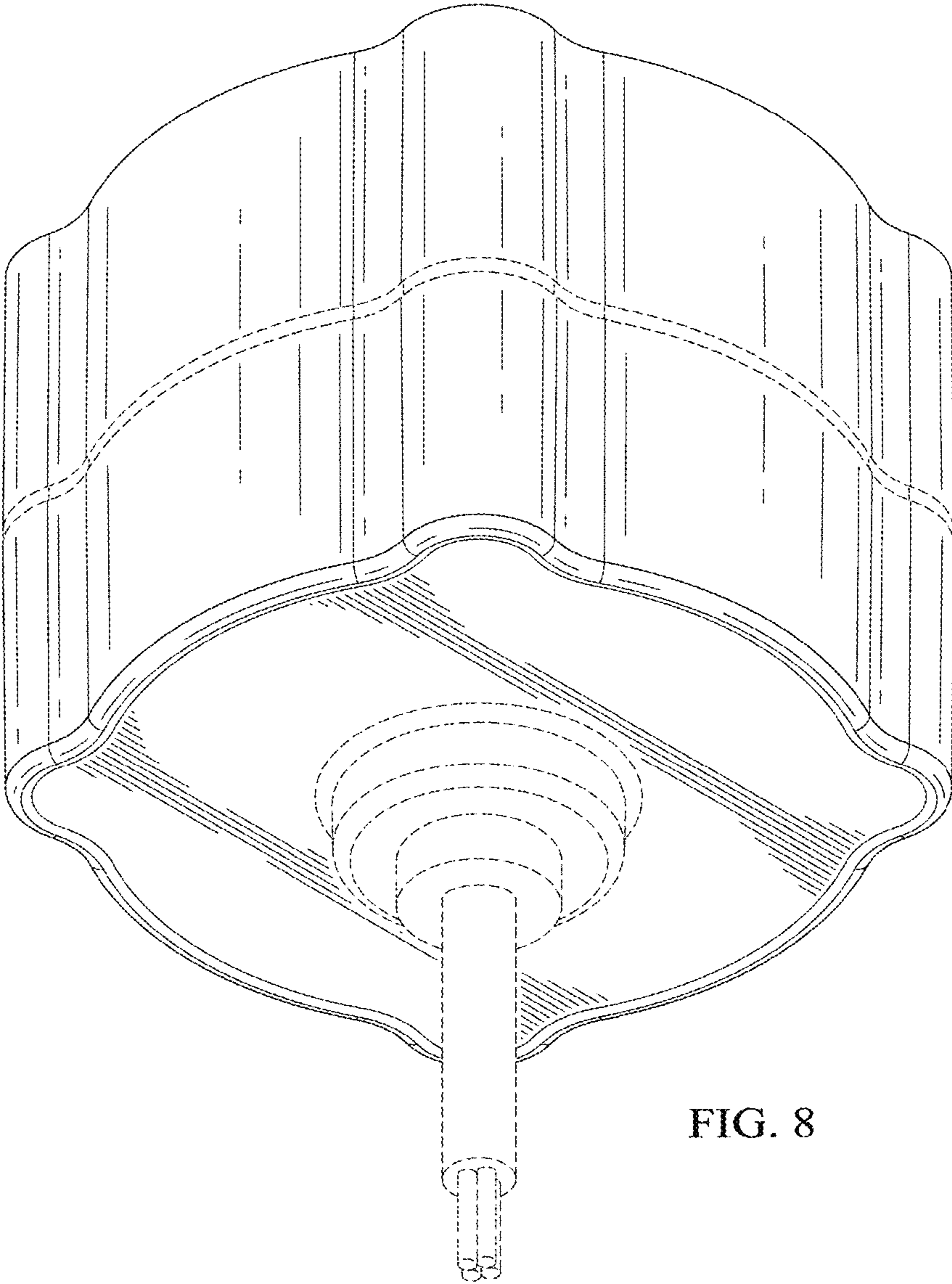


FIG. 8