



US00D863998S

(12) **United States Design Patent** (10) **Patent No.:** **US D863,998 S**  
**Rainer** (45) **Date of Patent:** **\*\* Oct. 22, 2019**

(54) **COMPACT SENSING APPARATUS FOR THE DETERMINATION OF FLUID PROPERTIES**

*Primary Examiner* — Antoine Duval Davis

(74) *Attorney, Agent, or Firm* — Ulmer & Berne LLP

(71) Applicant: **The Mercury Iron and Steel Co.,**  
Solon, OH (US)

(72) Inventor: **Michael D. Rainer,** Burton, OH (US)

(73) Assignee: **THE MERCURY IRON AND STEEL CO.,** Solon, OH (US)

(\*\*) Term: **15 Years**

(21) Appl. No.: **29/653,798**

(22) Filed: **Jun. 19, 2018**

(51) **LOC (12) Cl.** ..... **10-04**

(52) **U.S. Cl.**  
USPC ..... **D10/81**

(58) **Field of Classification Search**  
USPC ..... D10/81, 96  
CPC .. G01N 21/41; G01N 21/412; G01N 21/4133;  
G01N 21/43; G01N 21/431; G01N 21/45;  
G01N 2021/4106; G01N 2021/4113;  
G01N 2021/4126; G01N 2021/414; G01N  
2021/4146; G01N 2021/4153; G01N  
2021/416; G01N 2021/4166; G01N  
2021/4173; G01N 2021/418; G01N  
2021/4186; G01N 2021/4193; G01N  
2021/432; G01N 2021/433; G01N  
2021/434; G01N 2021/435; G01N  
2021/436; G01N 2021/437; G01N  
2021/438; G01N 2021/451; G01N  
2021/456; G01N 2021/458

See application file for complete search history.

(56) **References Cited**

**U.S. PATENT DOCUMENTS**

D686,930 S	*	7/2013	Rainer	.....	D10/81
D696,972 S	*	1/2014	Rainer	.....	D10/81
D704,082 S	*	5/2014	Rainer	.....	D10/81
D834,435 S	*	11/2018	Raghukumar	.....	D10/96

\* cited by examiner

(57) **CLAIM**

The ornamental design for a compact sensing apparatus for the determination of fluid properties, as shown and described.

**DESCRIPTION**

FIG. 1 is a front top perspective view of the compact sensing apparatus for the determination of fluid properties;

FIG. 2 is a front elevational view of the compact sensing apparatus for the determination of fluid properties of FIG. 1;

FIG. 3 is a rear elevational view of the compact sensing apparatus for the determination of fluid properties of FIG. 1;

FIG. 4 is a right side elevational view of the compact sensing apparatus for the determination of fluid properties of FIG. 1;

FIG. 5 is a left side elevational view of the compact sensing apparatus for the determination of fluid properties of FIG. 1;

FIG. 6 is a top plan view of the compact sensing apparatus for the determination of fluid properties of FIG. 1;

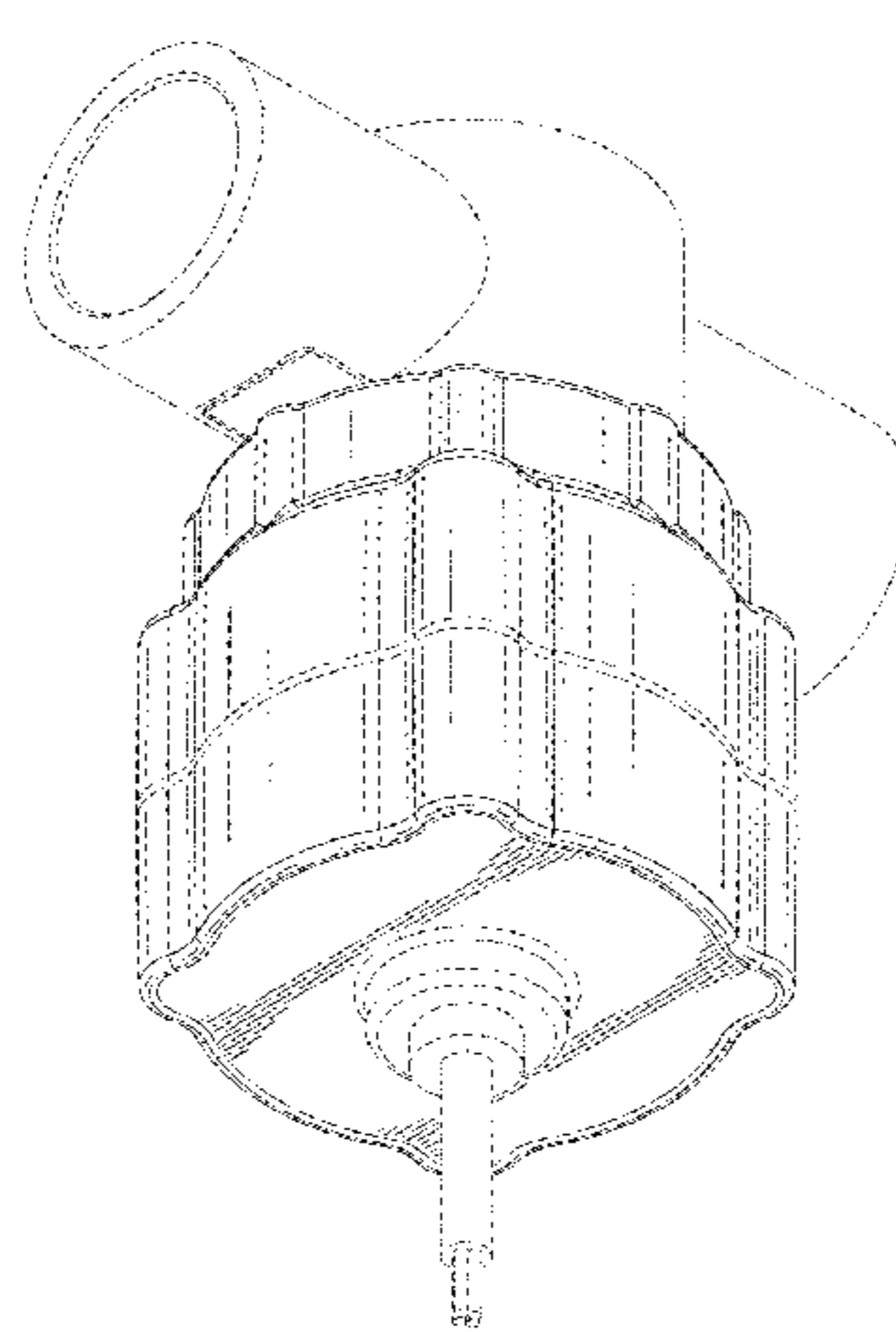
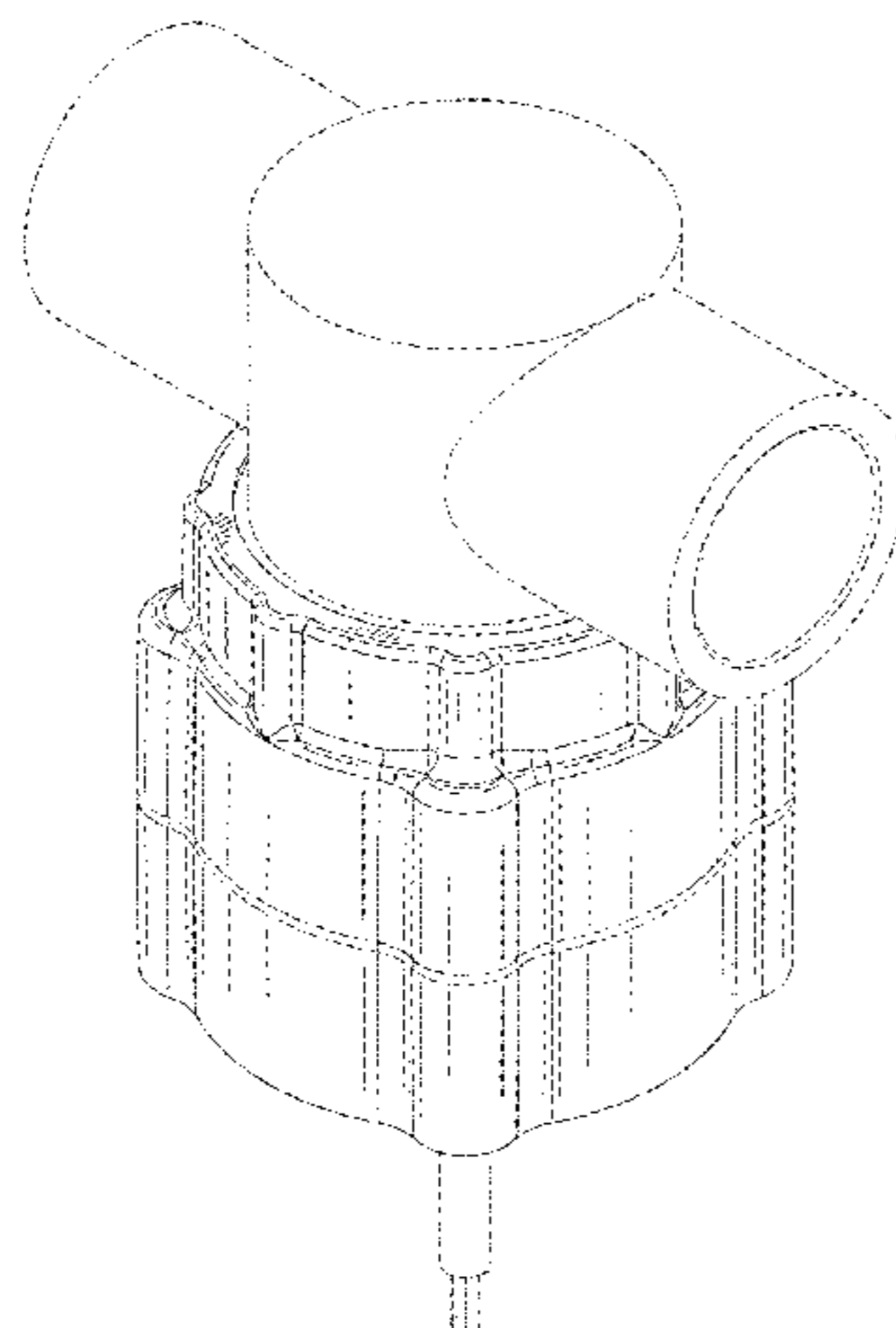
FIG. 7 is a bottom plan view of the compact sensing apparatus for the determination of fluid properties of FIG. 1;

and,

FIG. 8 is a rear bottom perspective view of the compact sensing apparatus for the determination of fluid properties of FIG. 1.

The broken-line disclosure of elements is understood to represent portions of the article in which the design is embodied, but which form no part of the claimed design.

**1 Claim, 7 Drawing Sheets**



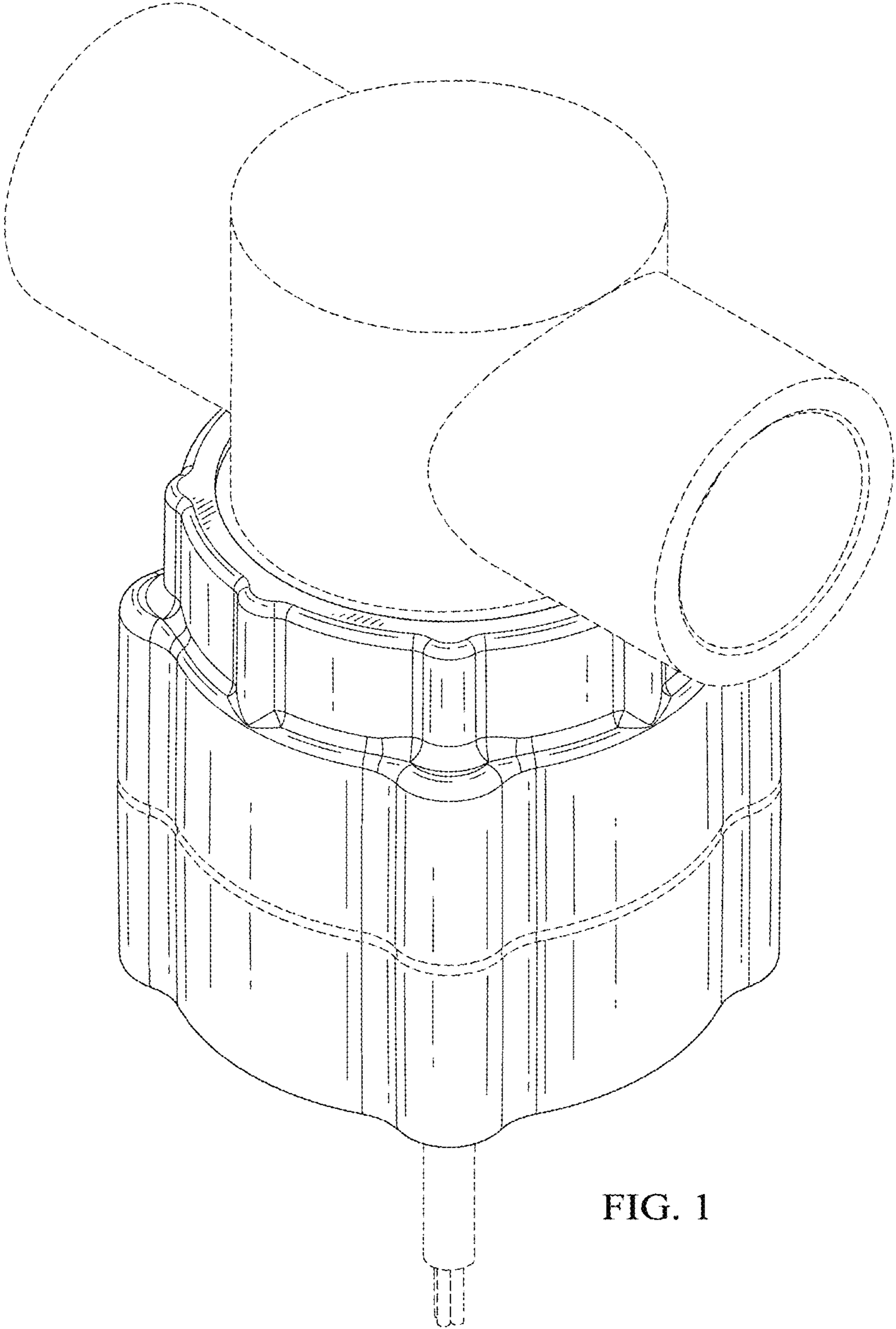


FIG. 1

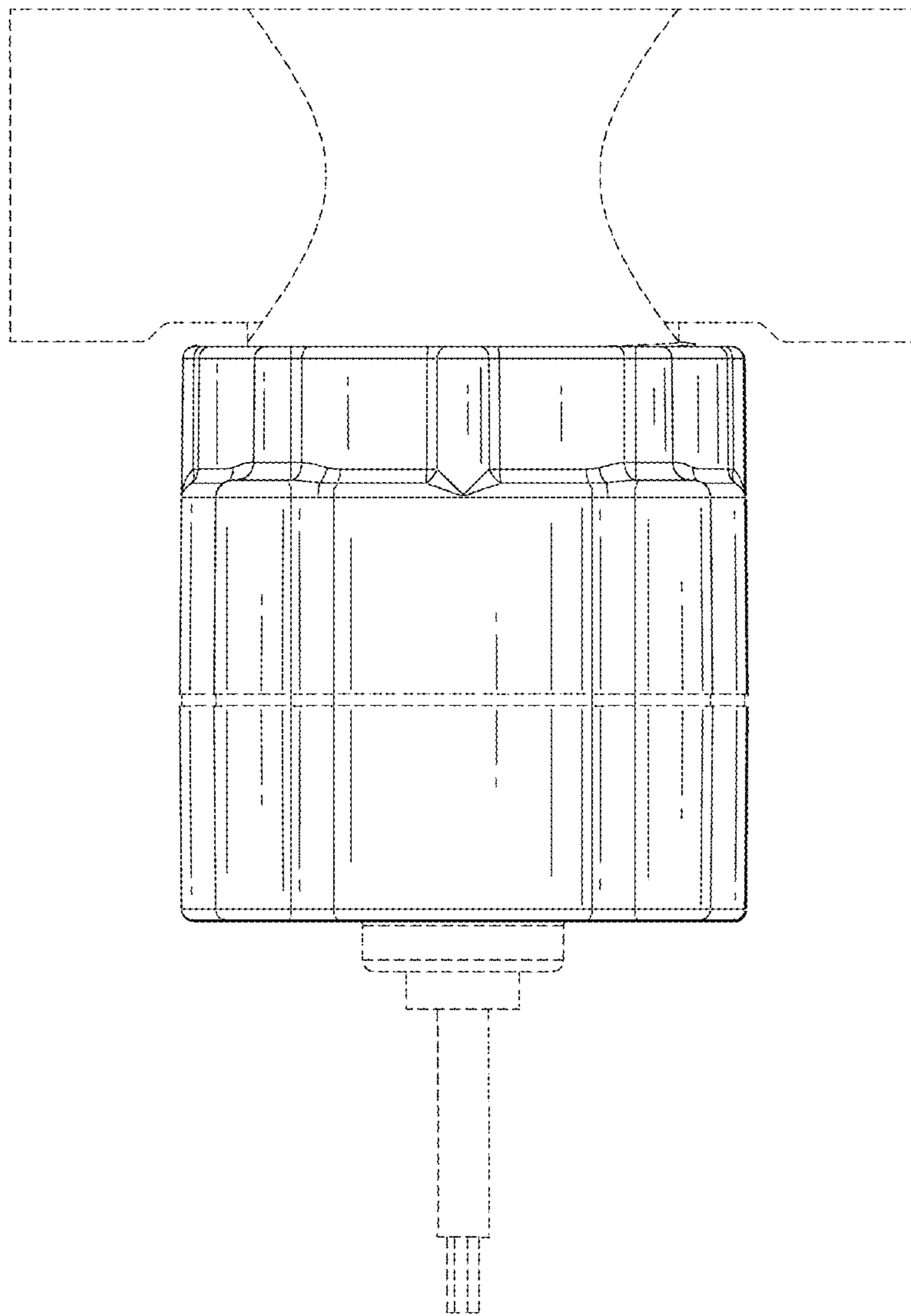


FIG. 2

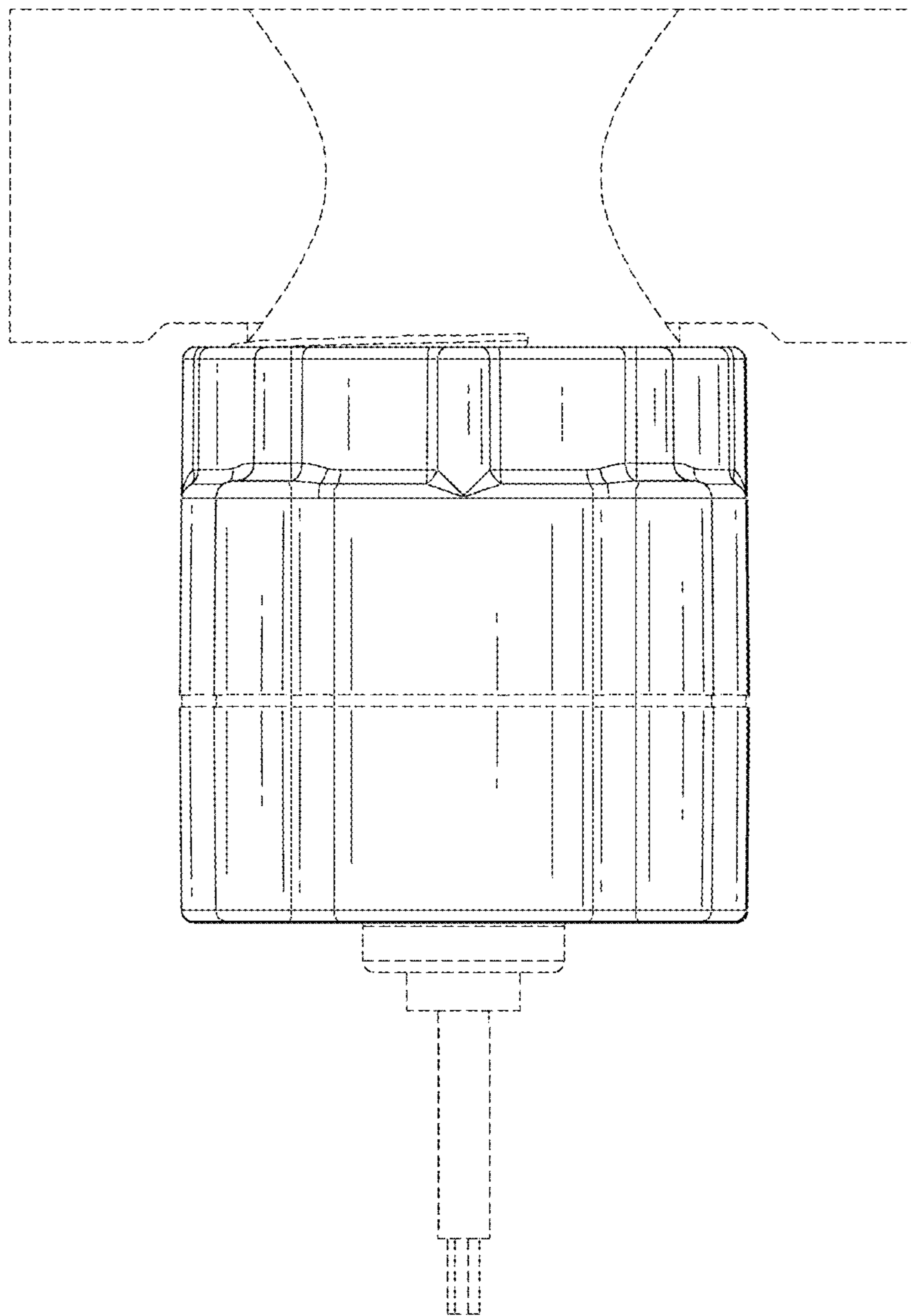


FIG. 3

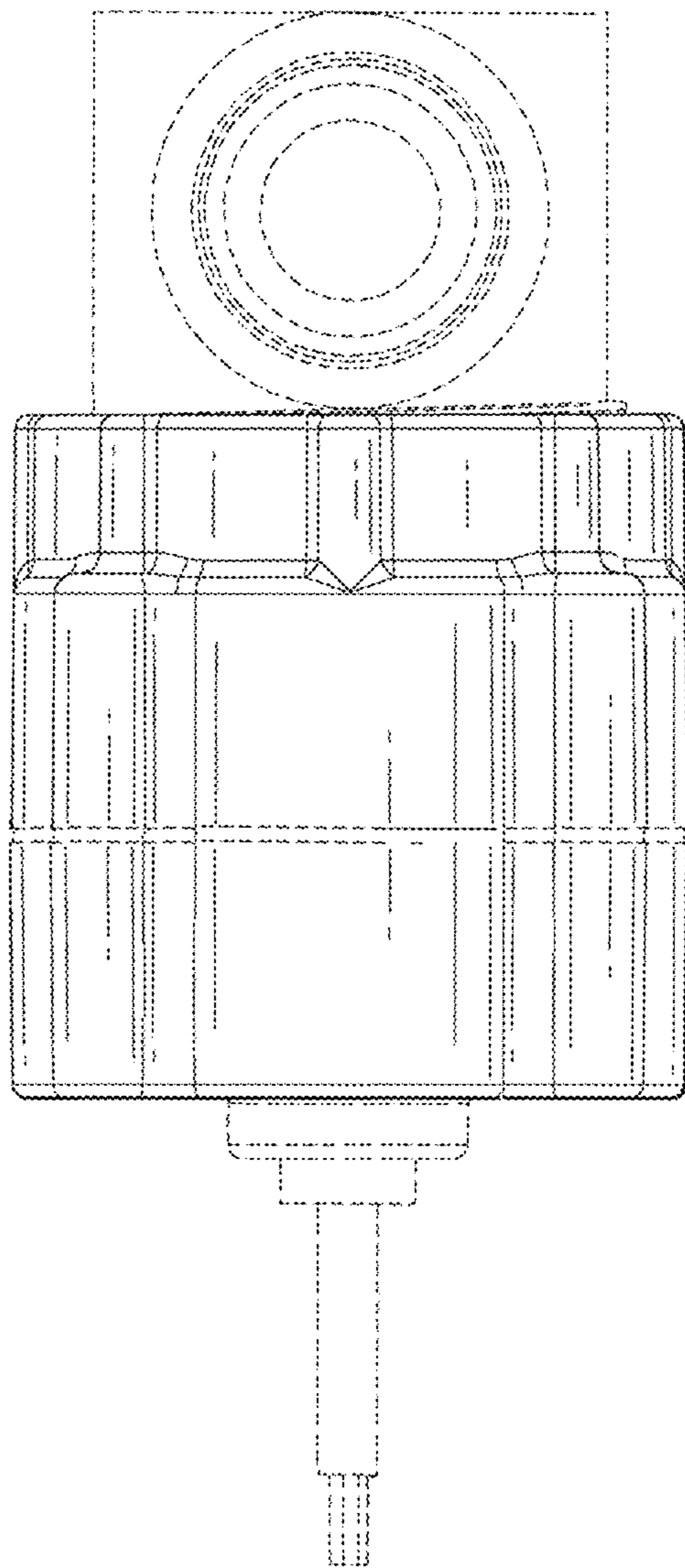


FIG. 4

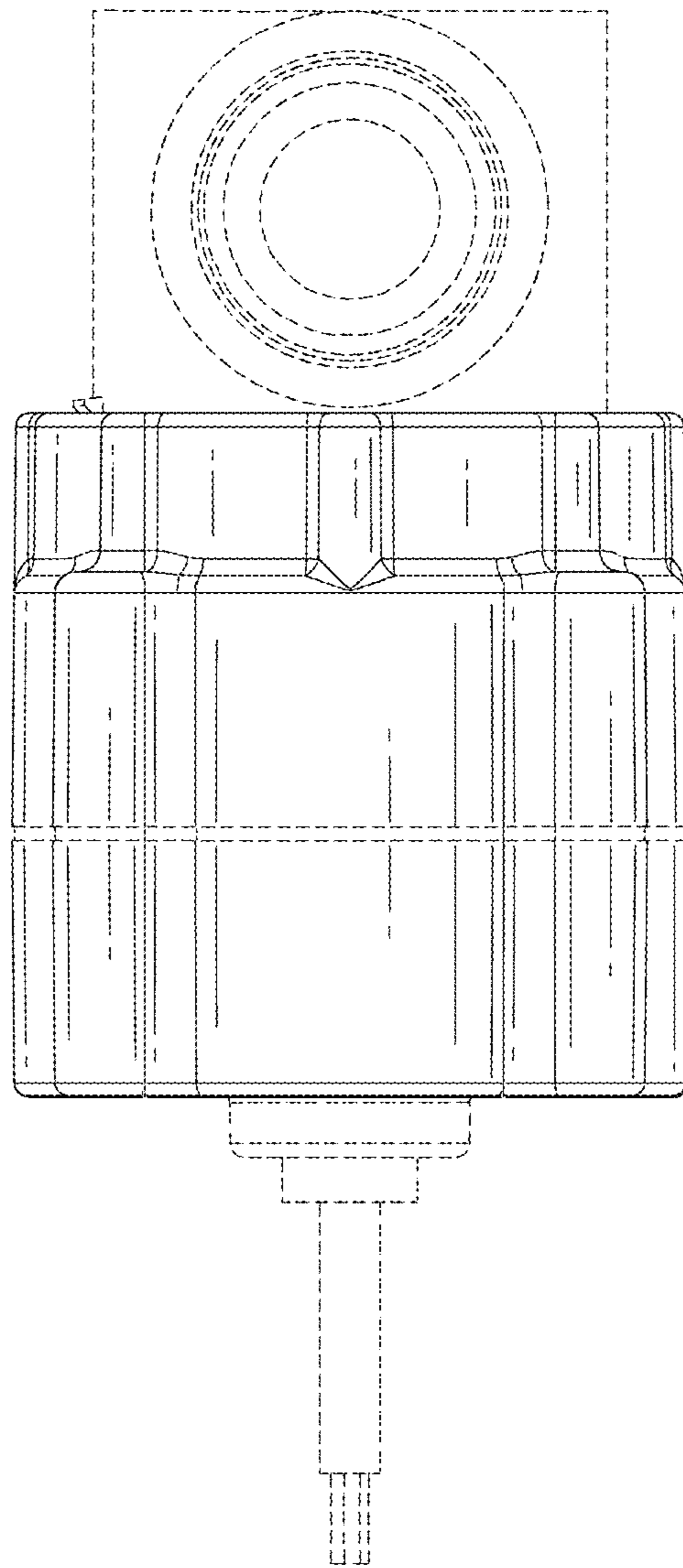


FIG. 5

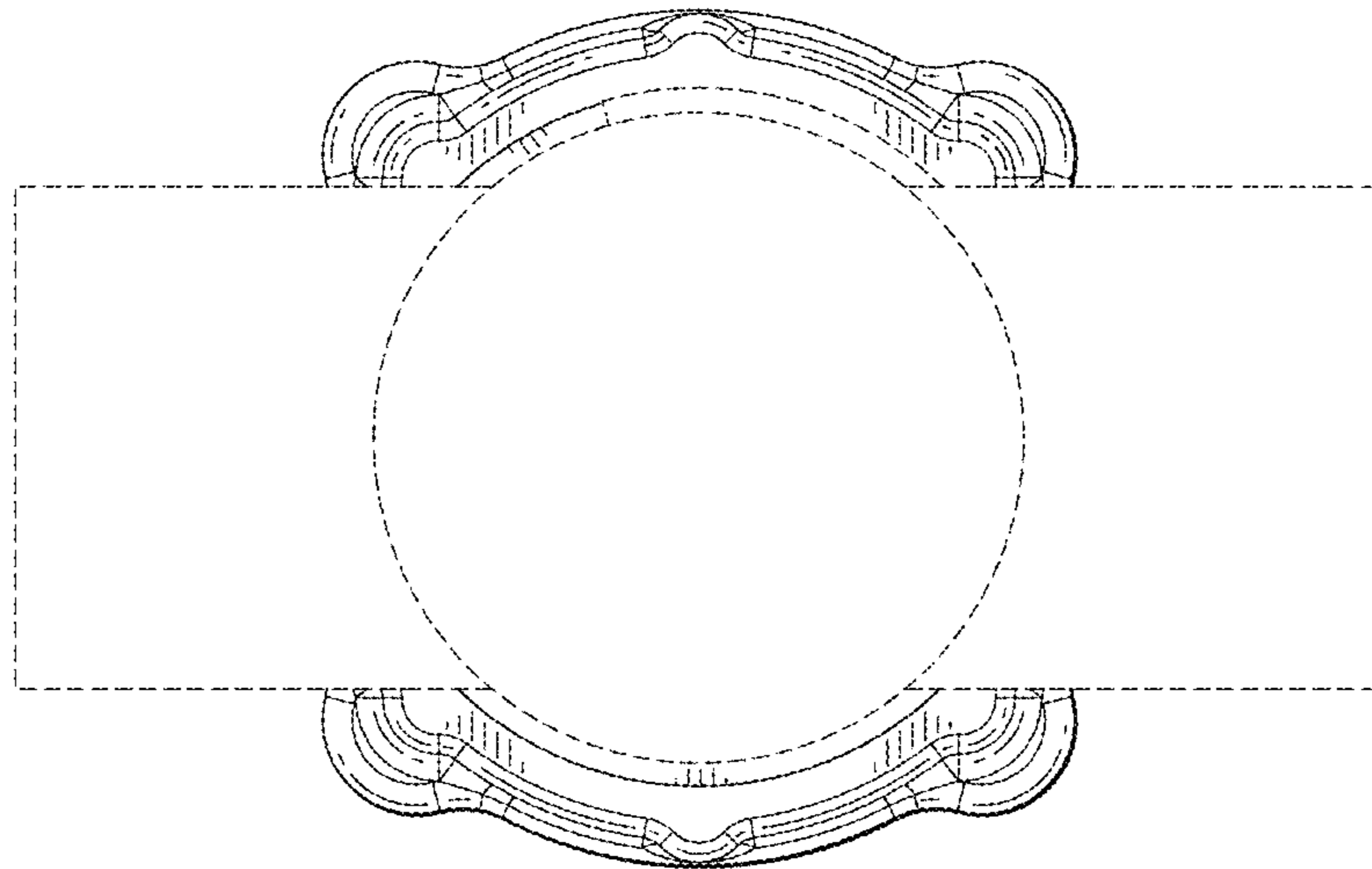


FIG. 6

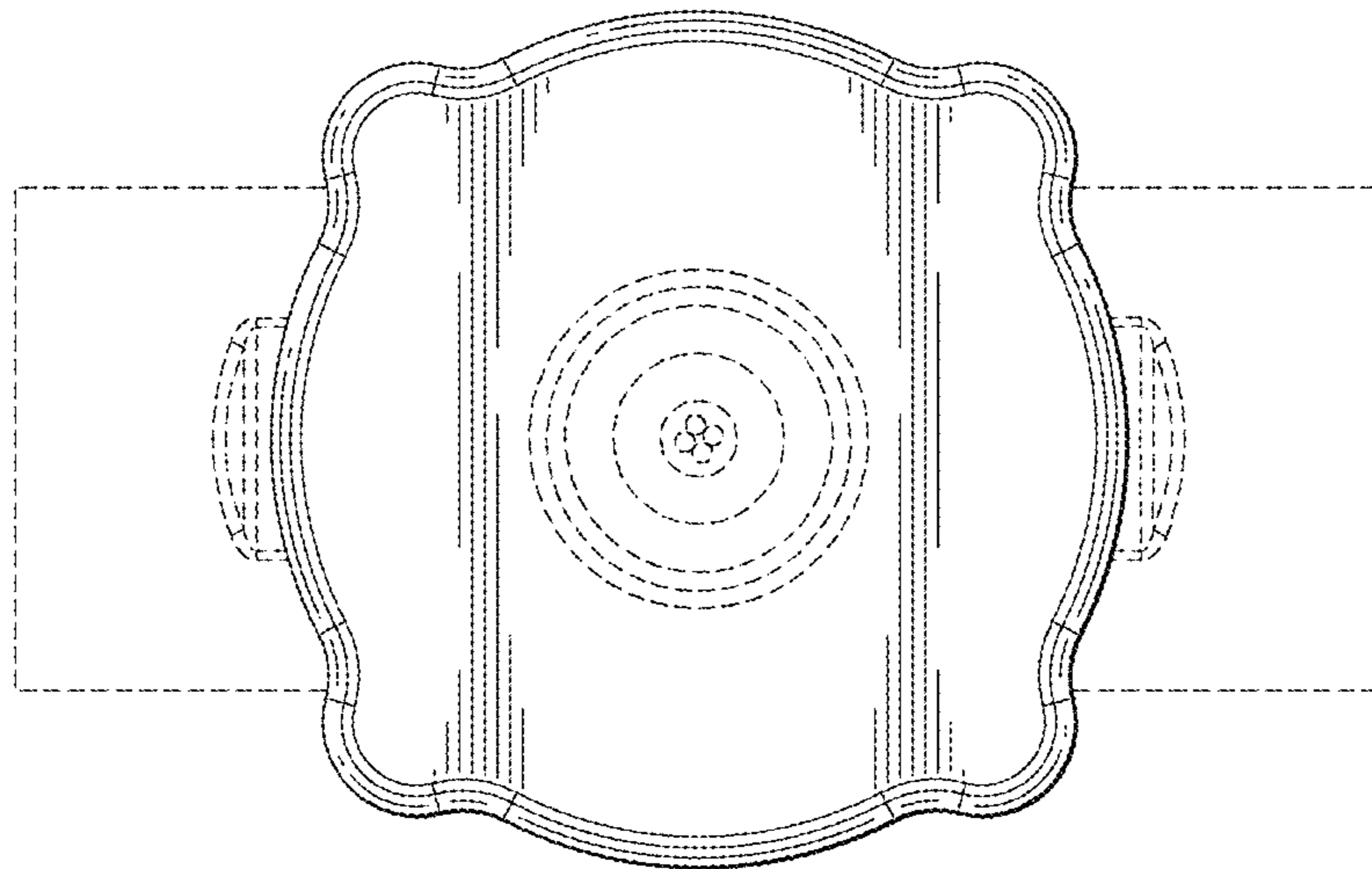


FIG. 7

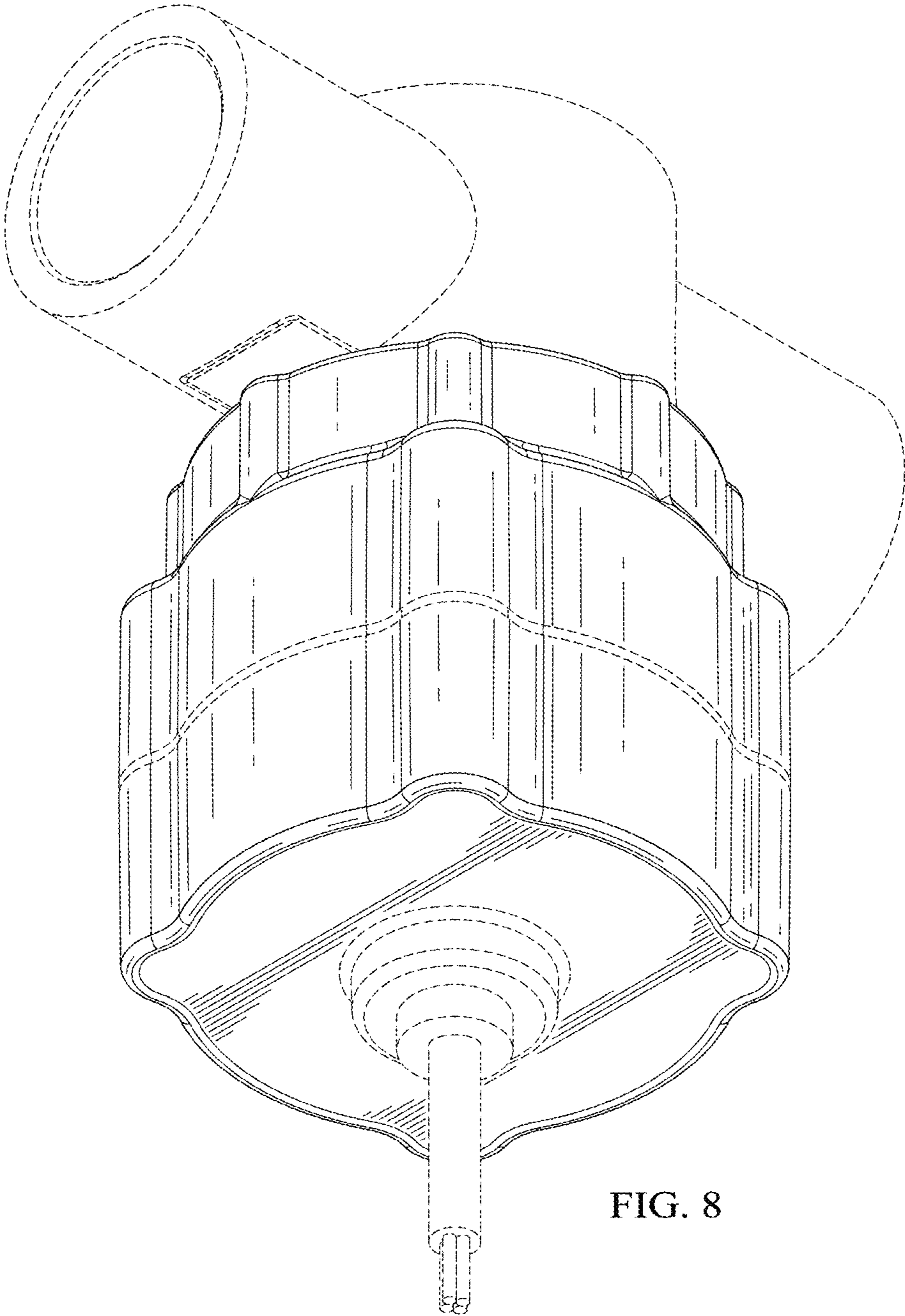


FIG. 8