



US00D863997S

(12) **United States Design Patent**
Garner et al.

(10) **Patent No.:** **US D863,997 S**

(45) **Date of Patent:** **** Oct. 22, 2019**

(54) **ACTIVITY TRACKER**

(71) Applicant: **Withings**, Issy les Moulineaux (FR)

(72) Inventors: **Pierre Garner**, Paris (FR); **Arthur Richard**, Paris (FR); **Arthur Daragon**, Paris (FR)

(73) Assignee: **Withings** (FR)

(**) Term: **15 Years**

(21) Appl. No.: **29/660,283**

(22) Filed: **Aug. 20, 2018**

(51) **LOC (12) Cl.** **10-04**

(52) **U.S. Cl.**
USPC **D10/70**

(58) **Field of Classification Search**
USPC D10/30-39, 65, 70, 78, 97, 98; D11/3
CPC A63B 24/0062; A63B 71/0686; A63B
33/002; A63B 71/0622; A63B 2207/02;
A63B 2244/20; A63B 2071/0625; A63B
2033/004; A63B 2208/03; A63B 2220/30;
A63B 2220/836; A63B 2225/50; A63B
2230/065; A63B 2071/0666; A63B
24/00-2024/0096; A63B 2213/00; A63B
69/0028; A63B 2071/0658-2017/0666;
A63B 2220/00-2220/89; A63B 2225/02;
A61B 5/0205; A61B 5/6803; A61B
5/0015; A61B 5/02416; A61B 5/1118;
A61B 5/02438; A61B 2560/0214; A61B
2503/10; A61B 5/0537; A61B 5/4872;
A61B 5/6831; A61B 5/4869; A61B
5/0858; A61B 5/1075; A61B 5/107; A61B
5/4875; A61B 5/4878; A61B 5/4881;
A61B 5/61-5/6898; A44C 5/00-5/16;
G04B 37/00-37/228; G04B 45/0069;
G04B 47/04; G04B 19/00-19/34; G04B
21/12; G04B 23/12; G04B 47/00-47/068;
G04B 47/065; G04B 47/066; G06F
19/3481; G06F 3/00-3/027; G06F 1/163;

G01C 17/00; G01C 21/00-21/3697;
G01C 22/00-22/025; G01C
23/00-23/005; G01C 21/16; G01P
1/00-1/26; G01P 15/00-15/18; G04R
20/02; G04C 10/00; G04C 10/02; G08B
21/0269; G08B 21/0272; G08B 21/0286;
G08B 21/0288; G08B 21/0291; G08B
21/04-21/2454; G01S 19/00-19/55;
G04G 9/0064; G04G 9/0005

See application file for complete search history.

(56) **References Cited**

U.S. PATENT DOCUMENTS

D805,413 S * 12/2017 Chen D10/70
D848,875 S * 5/2019 Wildner D10/70

* cited by examiner

Primary Examiner — Antoine Duval Davis
(74) *Attorney, Agent, or Firm* — Saidman DesignLaw
Group, LLC

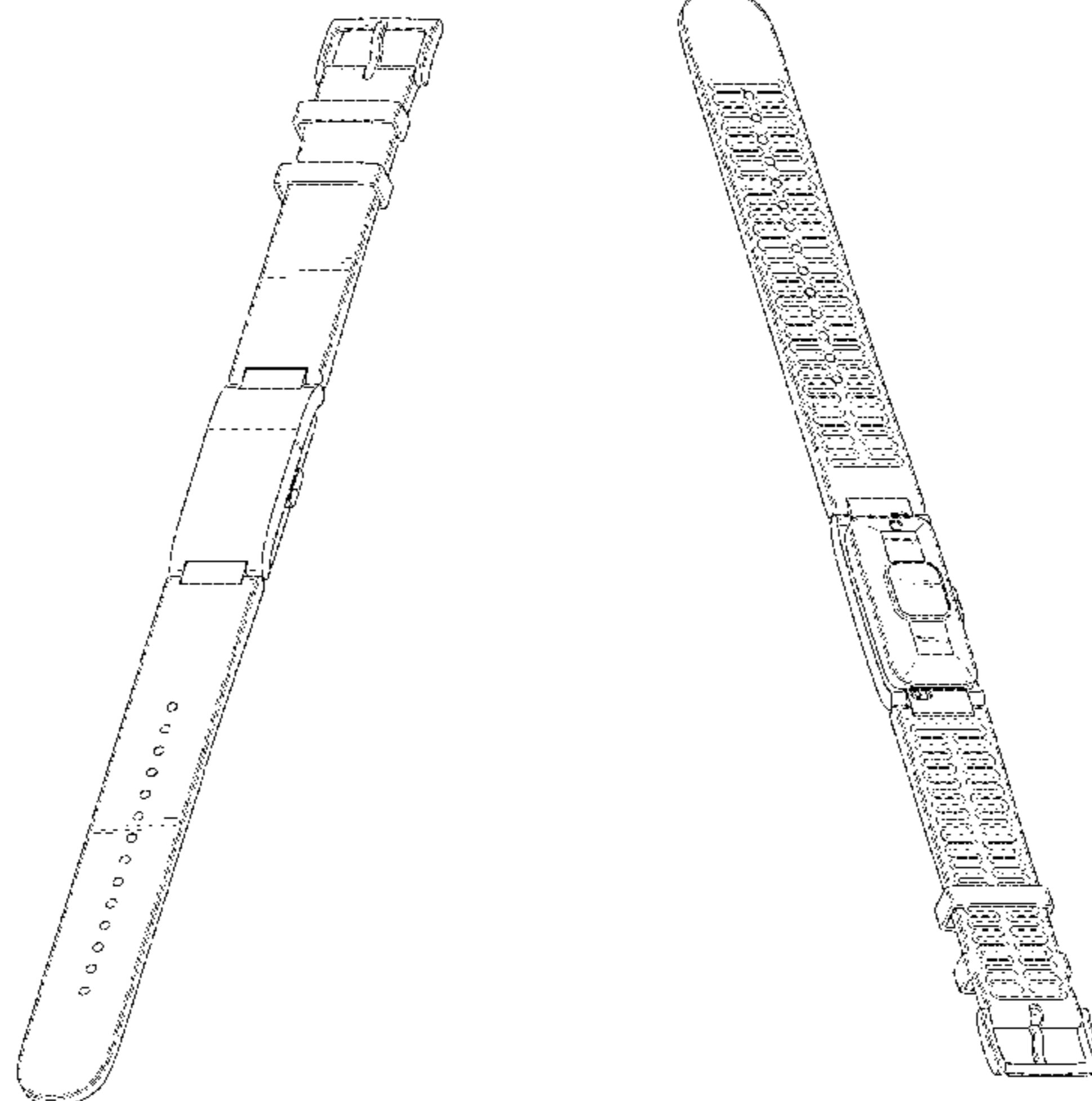
(57) **CLAIM**

The ornamental design for an activity tracker, as shown and described.

DESCRIPTION

FIG. 1 is a front perspective view of an activity tracker showing our new design;
FIG. 2 is a rear perspective view thereof;
FIG. 3 is a front view thereof;
FIG. 4 is a rear view thereof;
FIG. 5 is a left side view thereof;
FIG. 6 is a right side view thereof;
FIG. 7 is a bottom view thereof; and,
FIG. 8 is a top view thereof.
The drawings include surface shading which represents contour and not surface ornamentation.

1 Claim, 5 Drawing Sheets



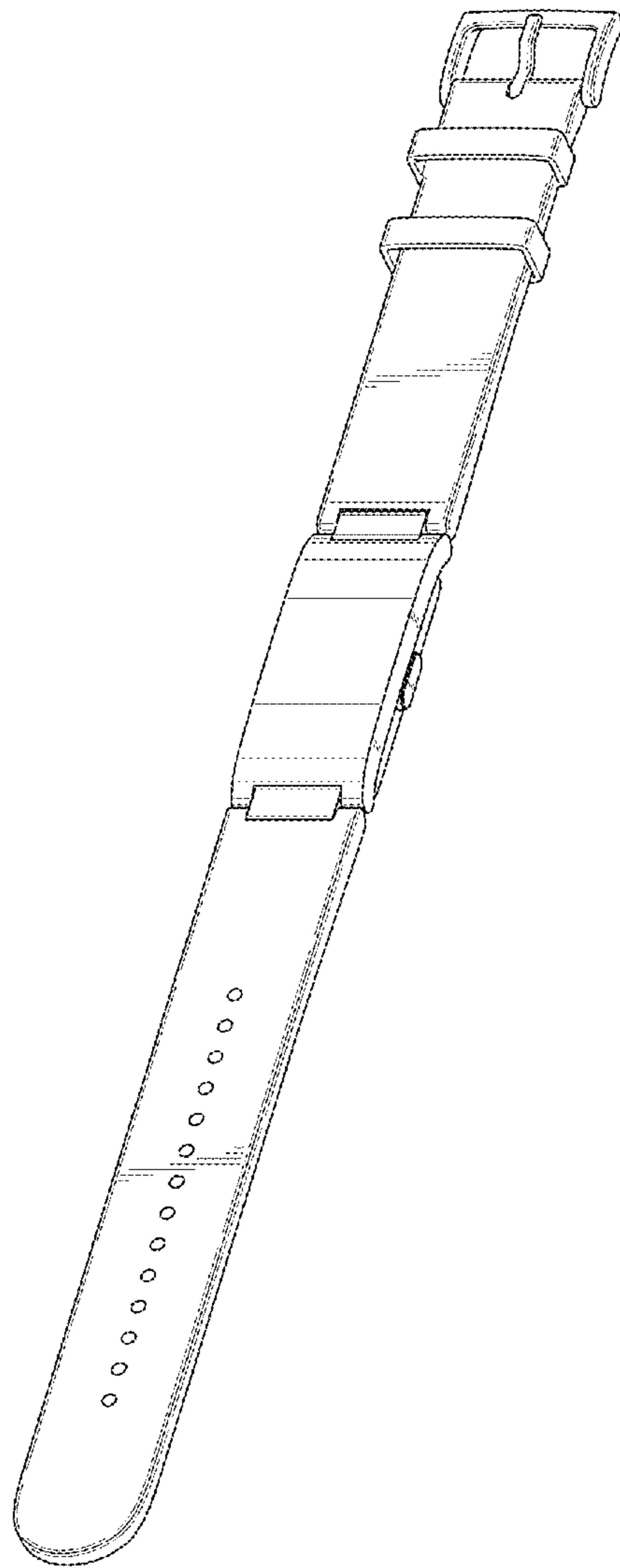


Fig. 1

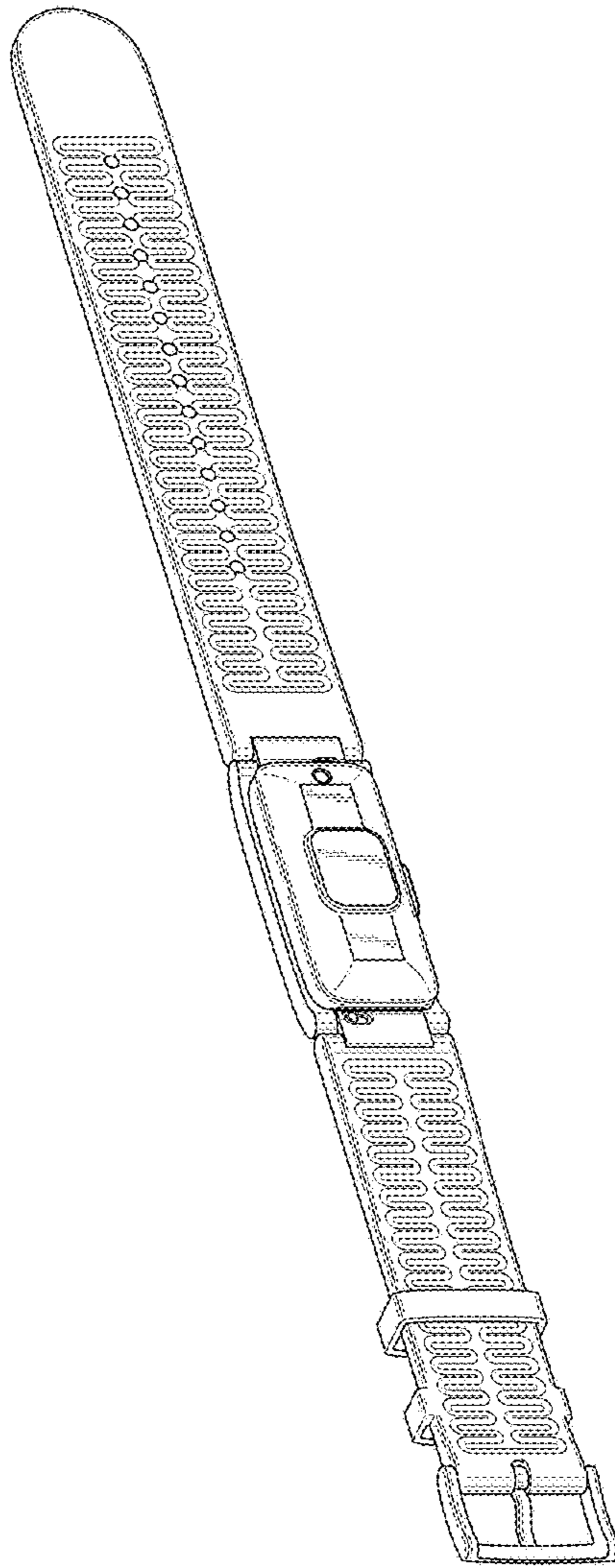


Fig. 2

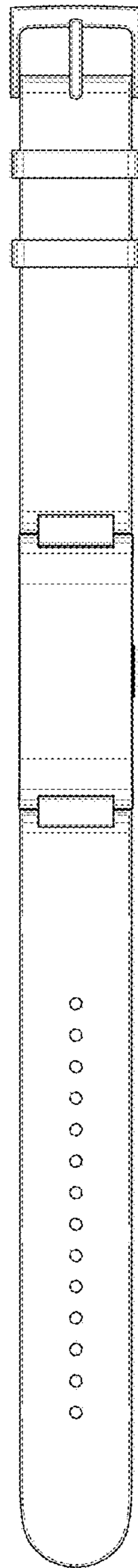


Fig. 3

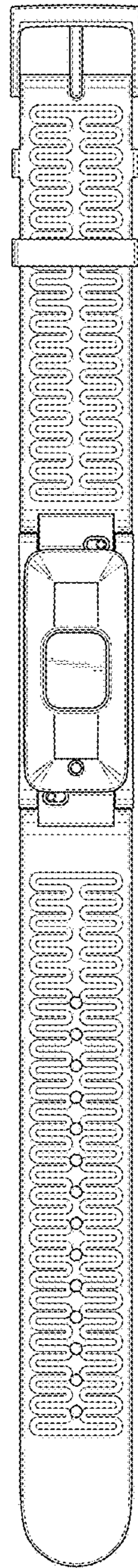


Fig. 4

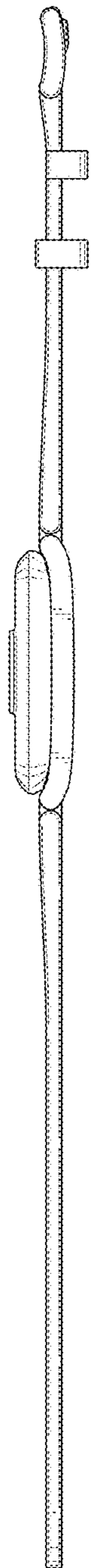


Fig. 5

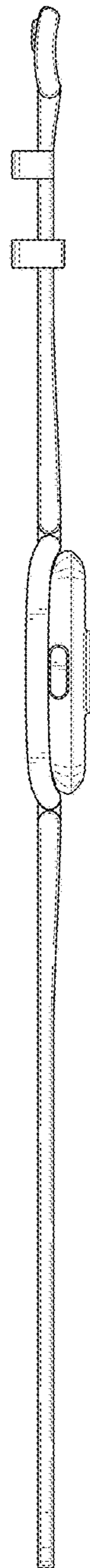


Fig. 6



Fig. 7

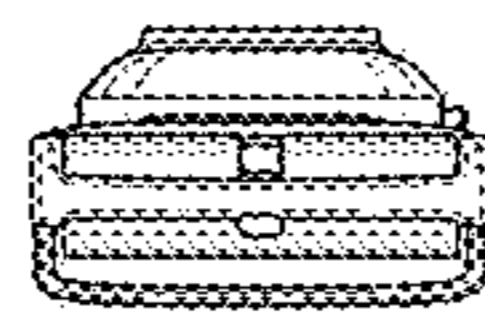


Fig. 8