



US00D863995S

(12) **United States Design Patent**
Ueda

(10) **Patent No.:** **US D863,995 S**
(45) **Date of Patent:** **** Oct. 22, 2019**

(54) **VIBRATION AND TEMPERATURE MEASURING DEVICE**

(71) Applicant: **MIYAWAKI Inc.**, Osaka-shi, Osaka (JP)

(72) Inventor: **Ippei Ueda**, Osaka (JP)

(73) Assignee: **MIYAWAKI INC.**, Osaka-Shi (JP)

(**) Term: **15 Years**

(21) Appl. No.: **29/659,529**

(22) Filed: **Aug. 9, 2018**

(51) **LOC (12) Cl.** **10-04**

(52) **U.S. Cl.**

USPC **D10/60; D10/103**

(58) **Field of Classification Search**

USPC D10/53, 60, 102

CPC . G07C 3/00; G07C 3/005; G07C 3/02; G07C 3/04; G07C 3/045; G07C 3/06; G07C 3/08; G07C 3/10; G07C 3/12; G07C 3/14; G07C 3/143; G07C 3/146; H02N 2/186; H02N 2/188; A61B 5/01; G01K 13/002; G01J 5/02; G01J 5/021; G01J 5/08; G01J 5/0022; G01J 5/0025; G01J 5/0265; G01J 5/0887; G01J 2005/068

See application file for complete search history.

(56) **References Cited**

U.S. PATENT DOCUMENTS

10,184,855 B2 * 1/2019 Lee F01P 7/16

D851,527 S * 6/2019 Kelley D10/103

* cited by examiner

Primary Examiner — Antoine Duval Davis

(74) *Attorney, Agent, or Firm* — Birch, Stewart, Kolasch & Birch, LLP.

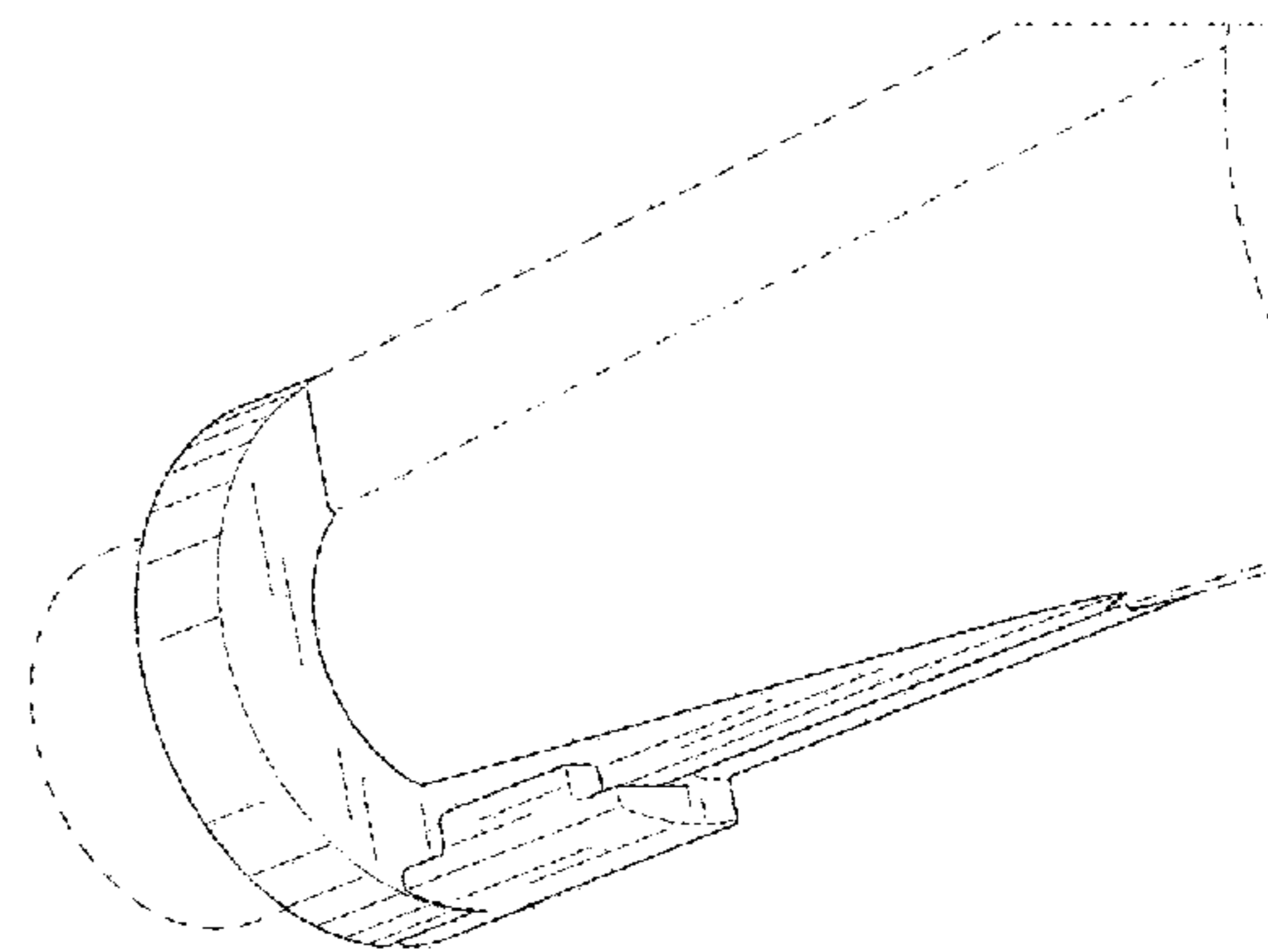
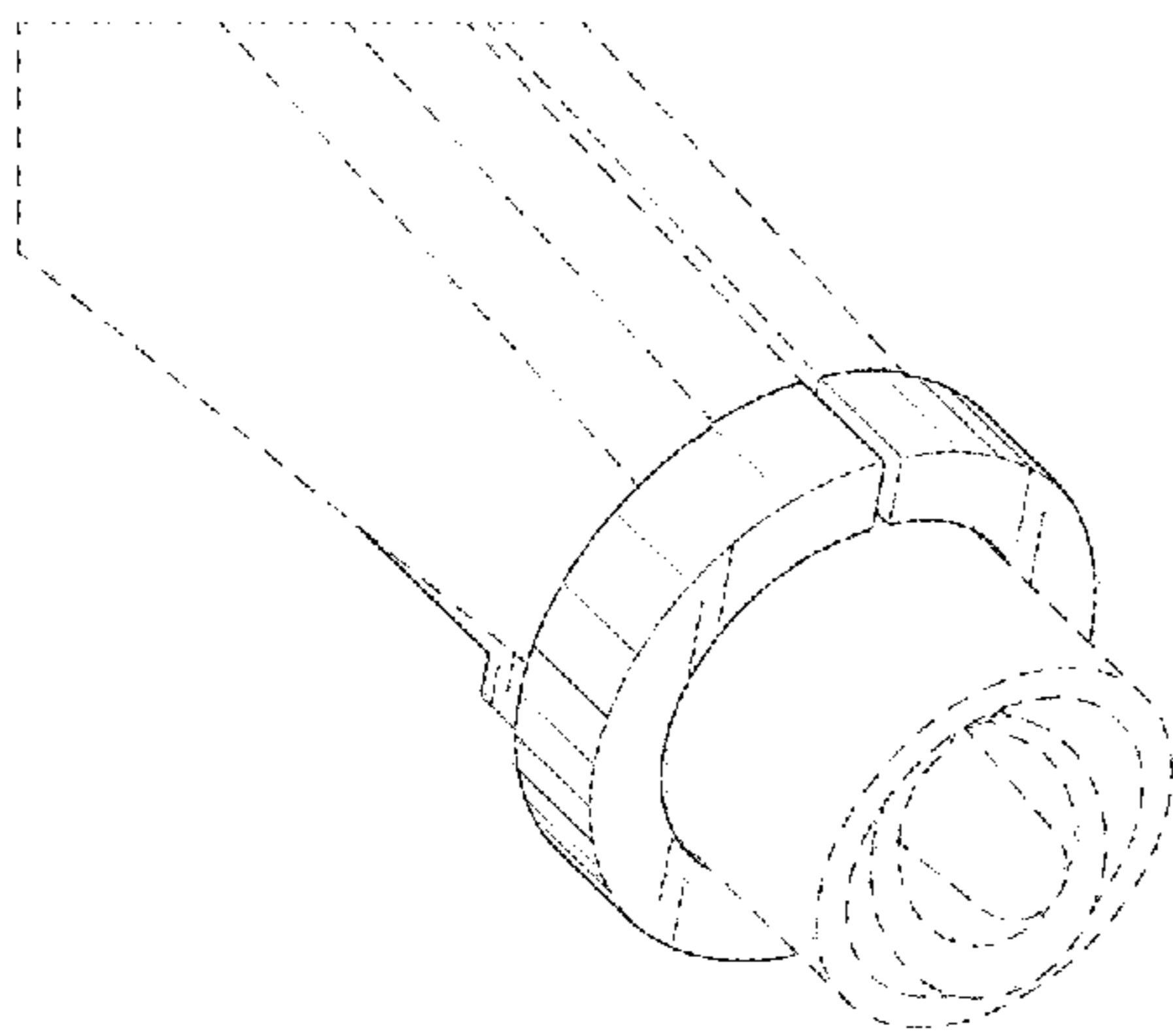
(57) **CLAIM**

The ornamental design for a vibration and temperature measuring device, as shown and described.

DESCRIPTION

FIG. 1 is a first partial enlarged perspective view of a vibration and temperature measuring device; FIG. 2 is a second partial enlarged perspective view thereof; FIG. 3 is a third partial enlarged perspective view thereof; FIG. 4 is a front view thereof; FIG. 5 is a rear view thereof; FIG. 6 is a left side view thereof; FIG. 7 is a right side view thereof; FIG. 8 is a top view thereof; FIG. 9 is a bottom view thereof; FIG. 10 is an enlarged front view of FIG. 4 thereof; FIG. 11 is an enlarged rear view of FIG. 5 thereof; FIG. 12 is an enlarged left side view of FIG. 6 thereof; and, FIG. 13 is an enlarged bottom view of FIG. 9 thereof. The broken lines depict portions of the vibration and temperature measuring device in which the design is embodied that are not considered part of the claimed design.

1 Claim, 7 Drawing Sheets



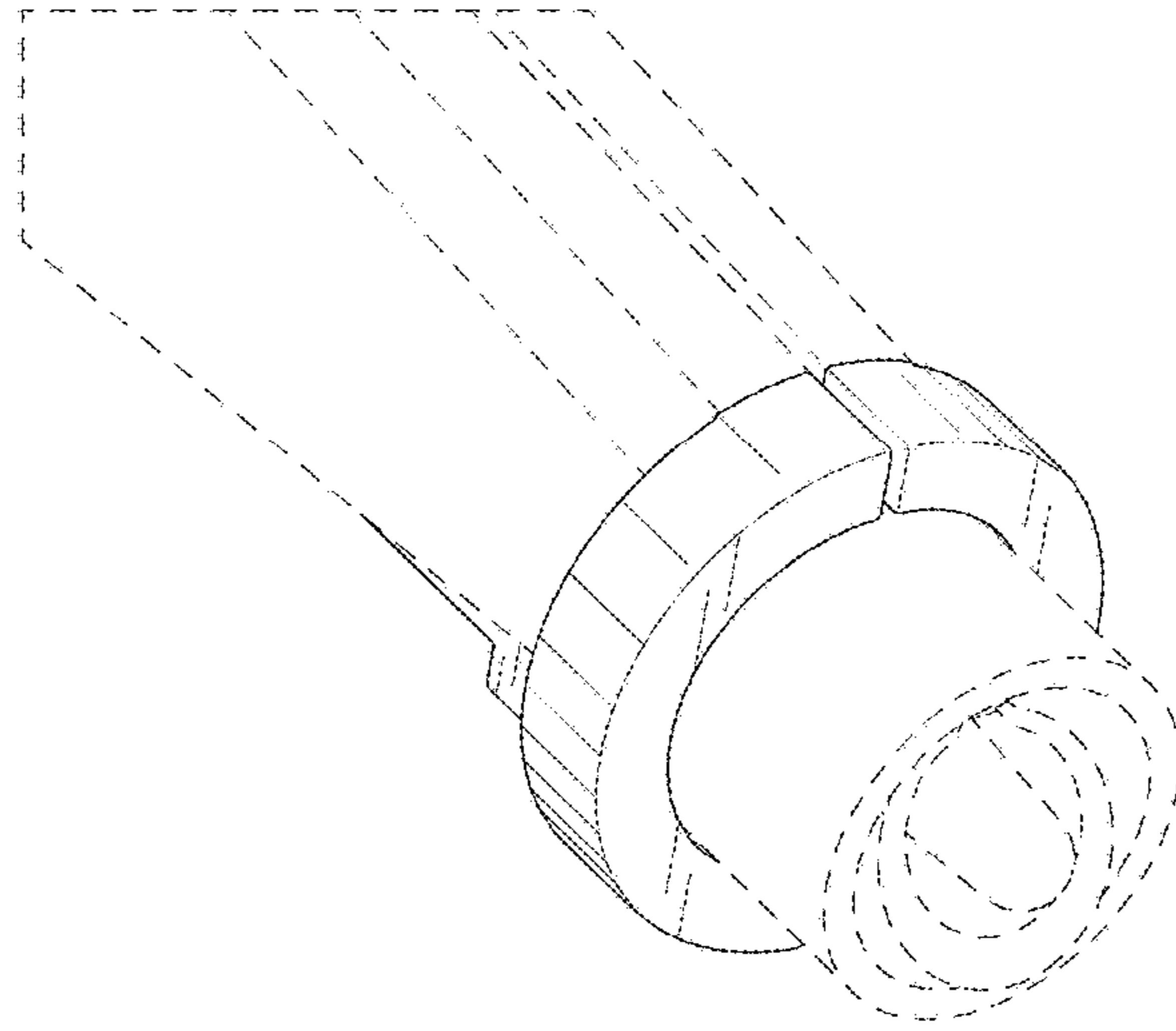


FIG.1

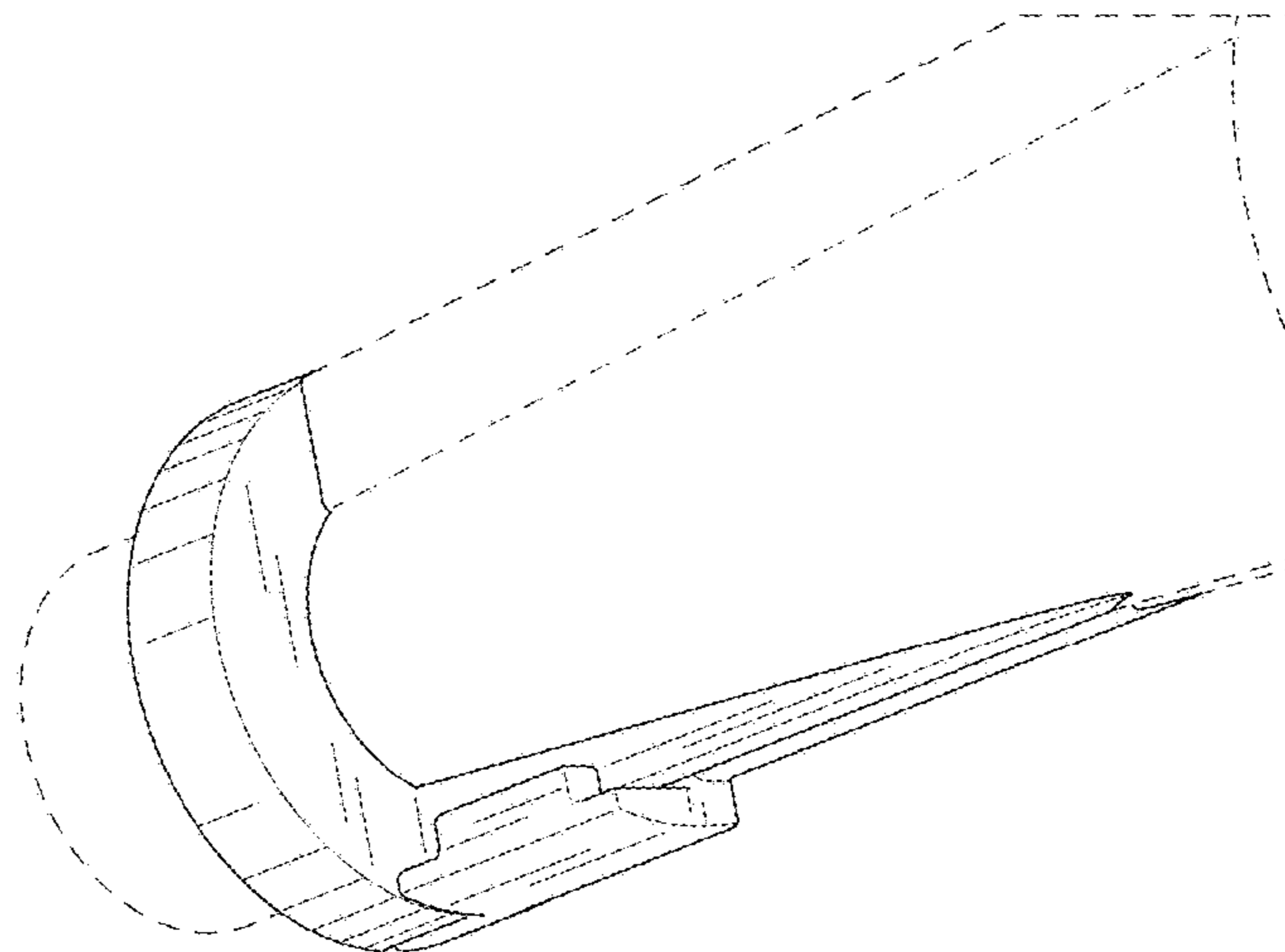


FIG.2

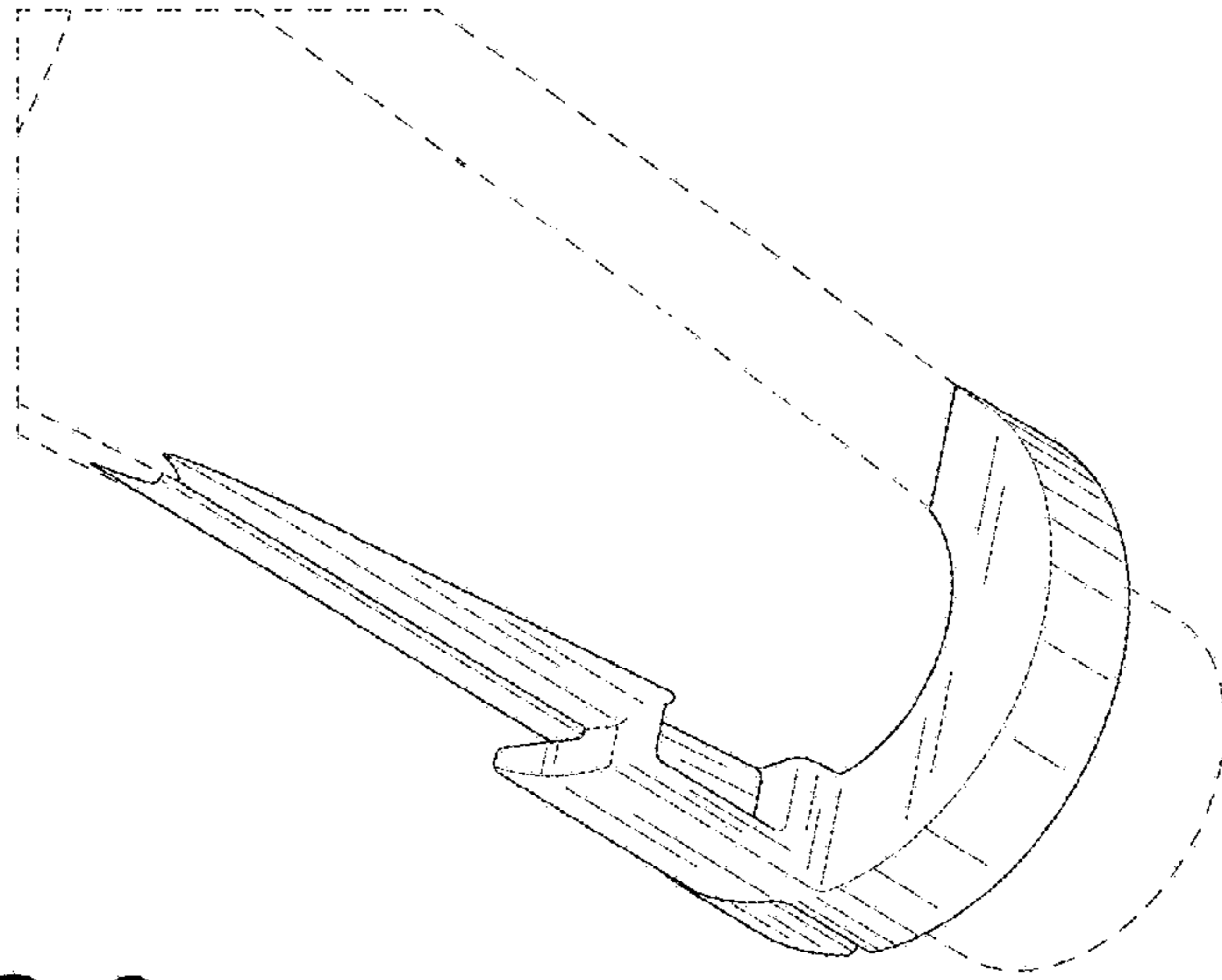


FIG.3

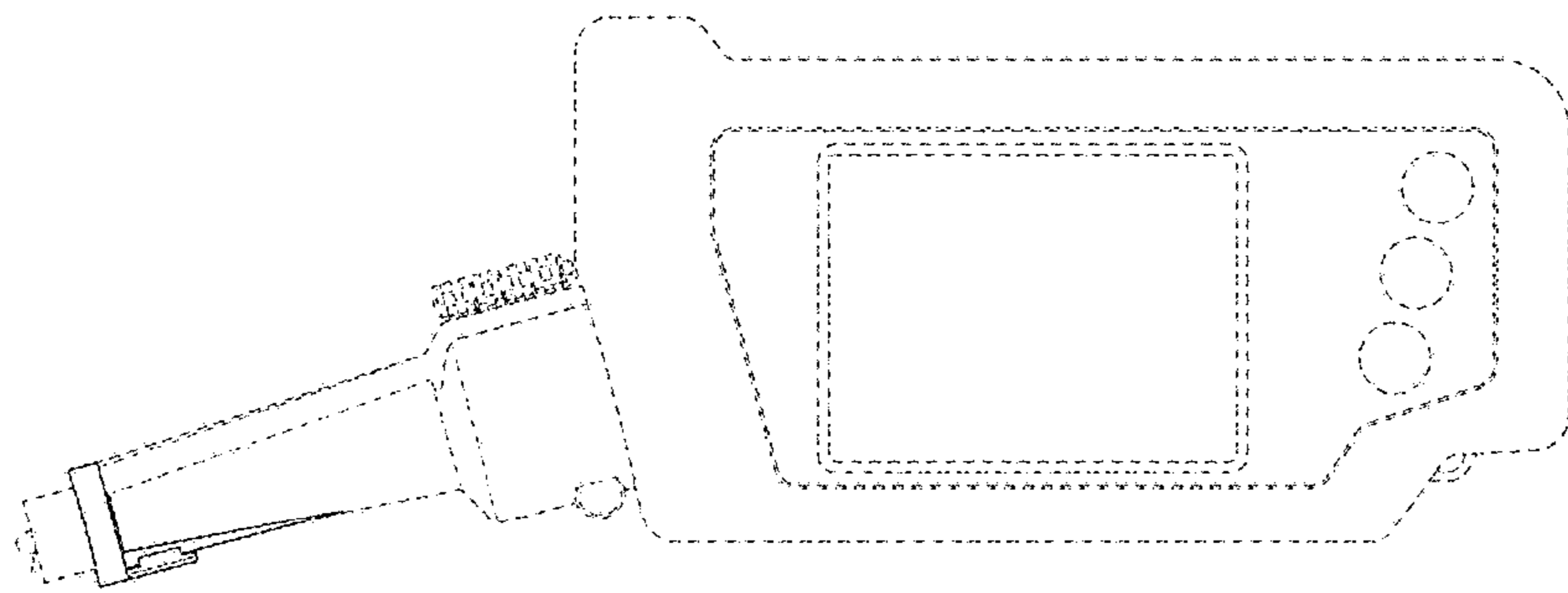


FIG.4

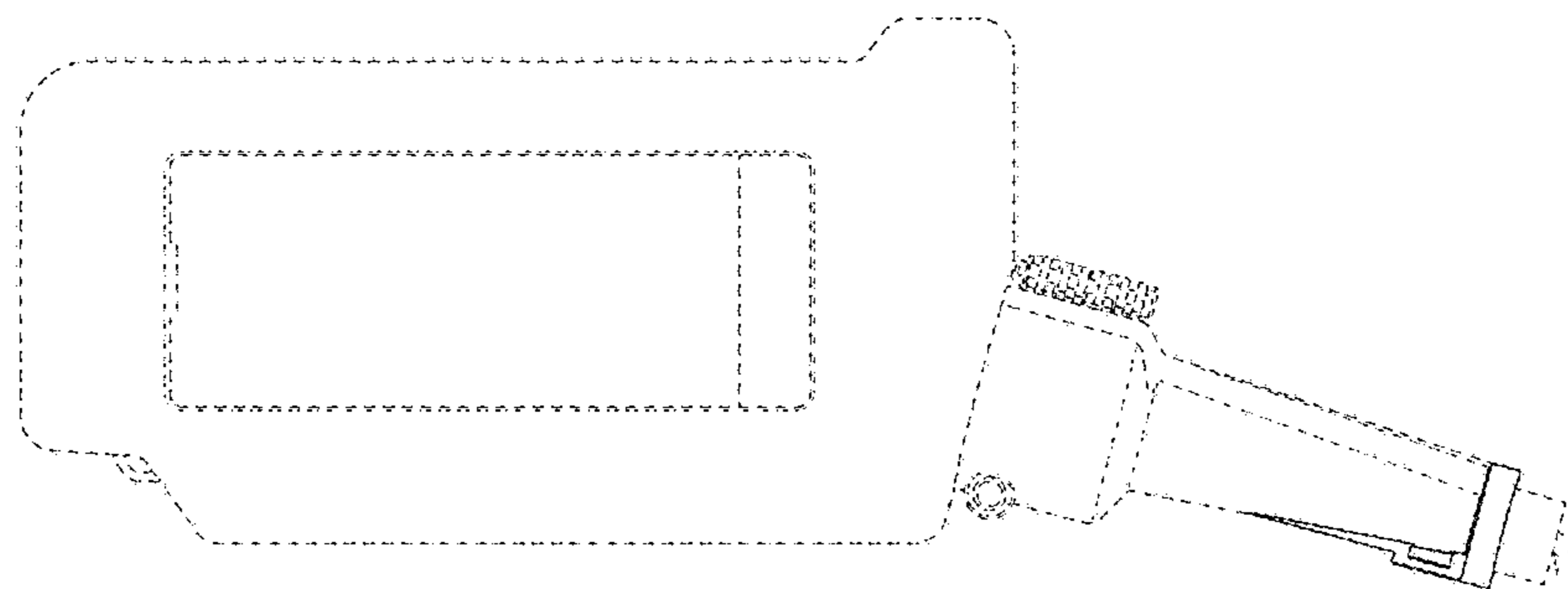


FIG.5

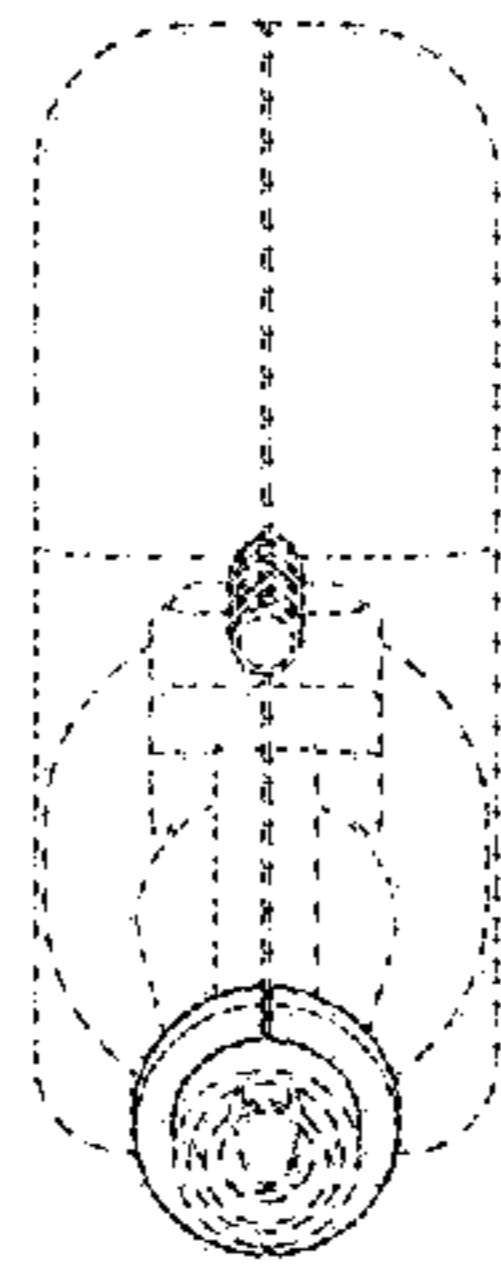


FIG. 6

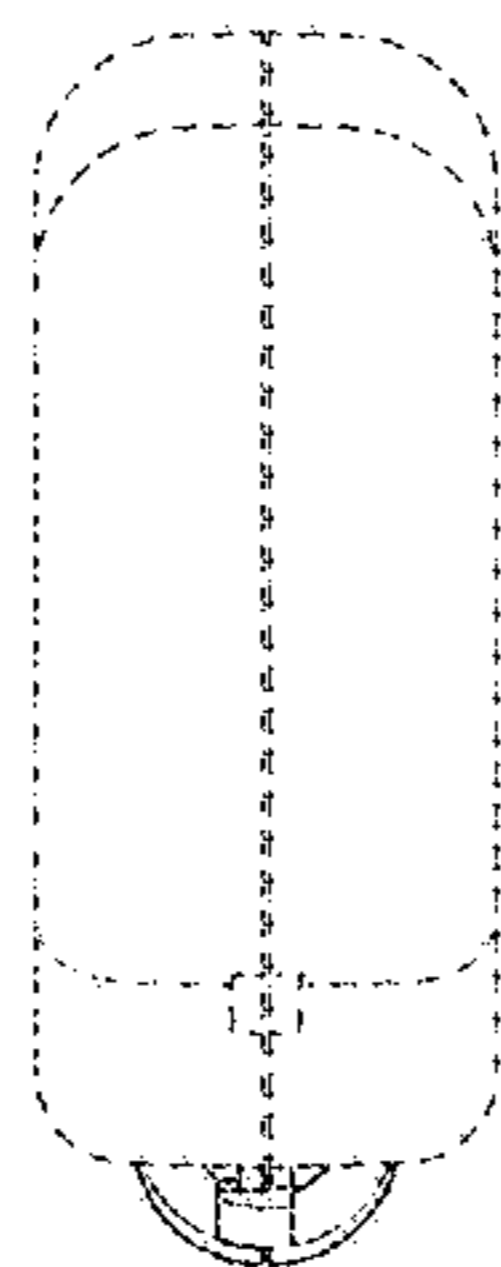


FIG. 7

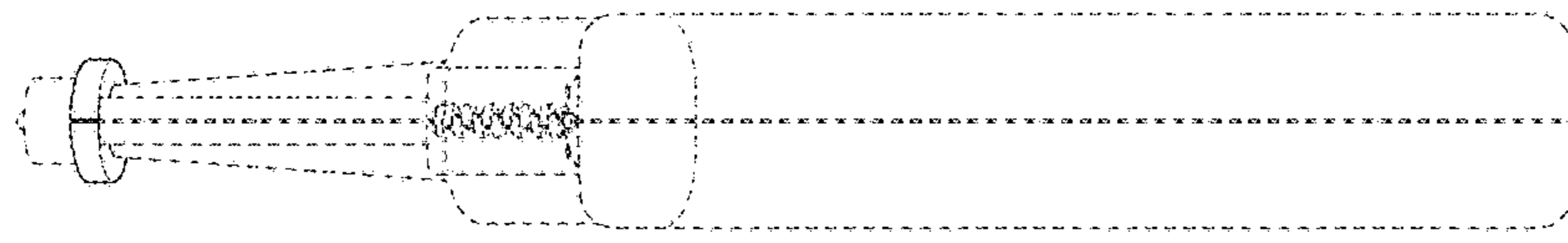


FIG.8

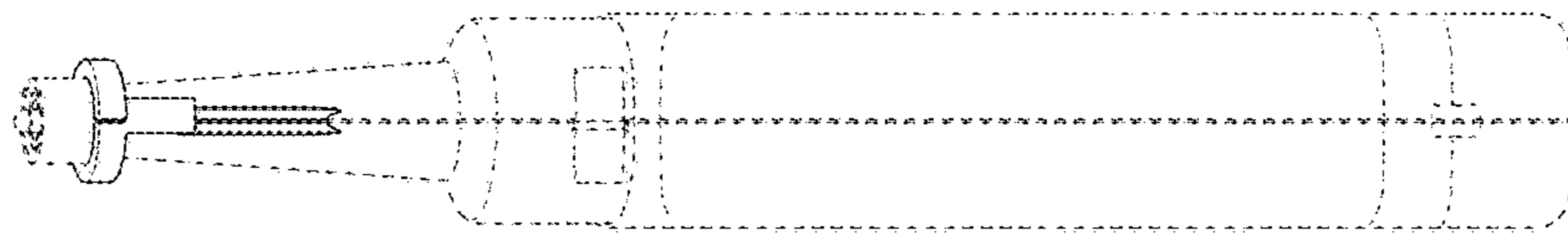


FIG.9

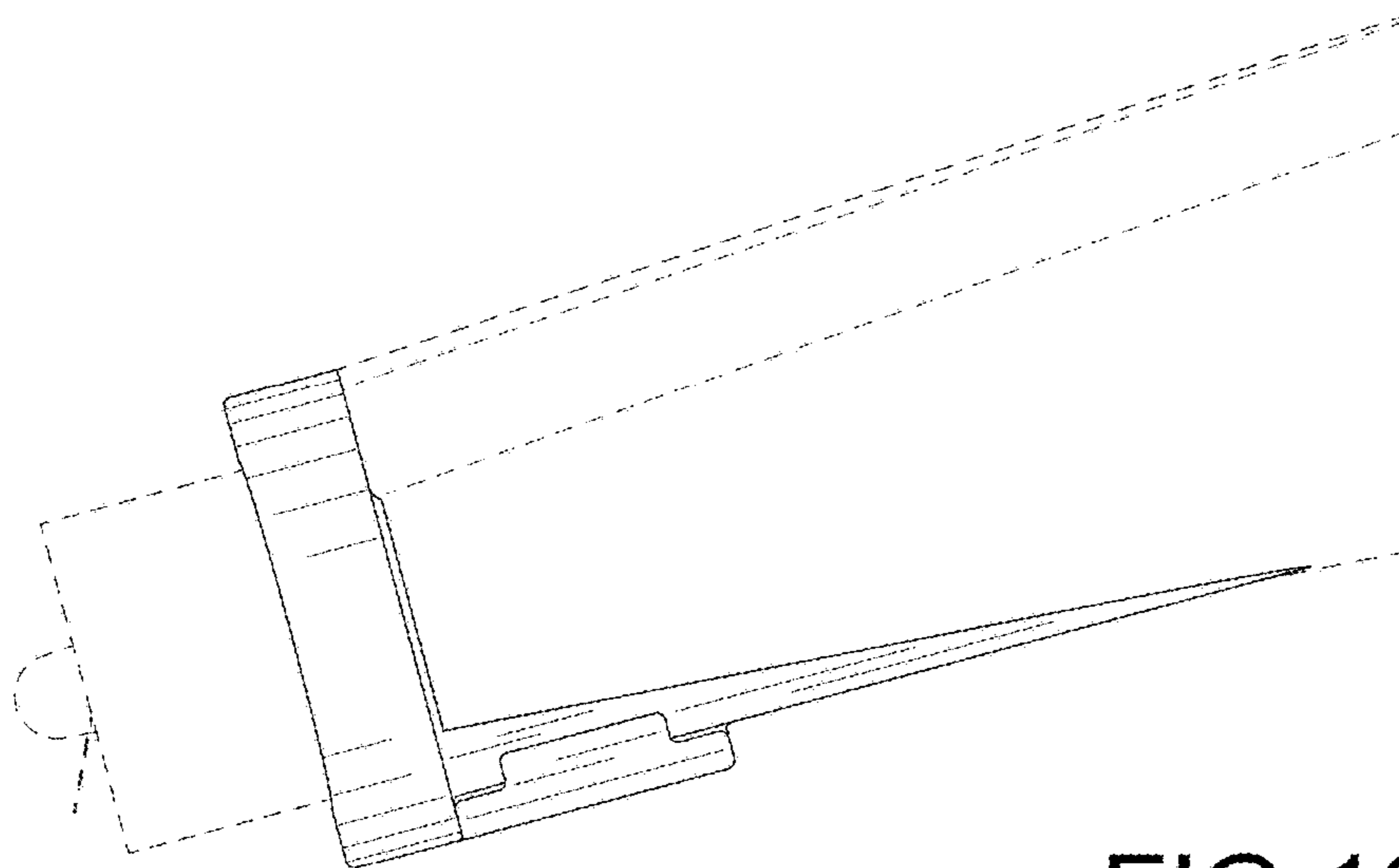


FIG. 10

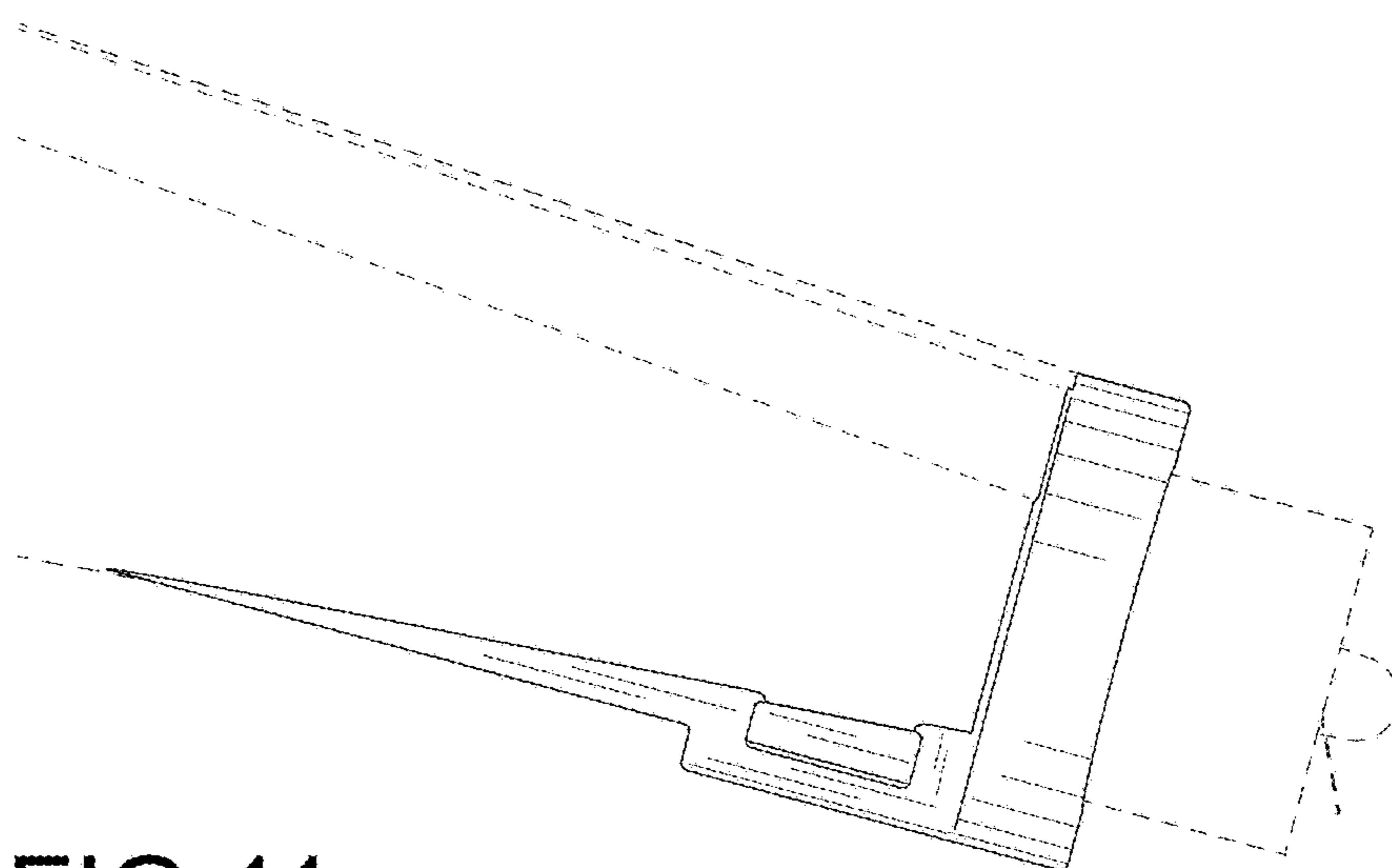


FIG. 11

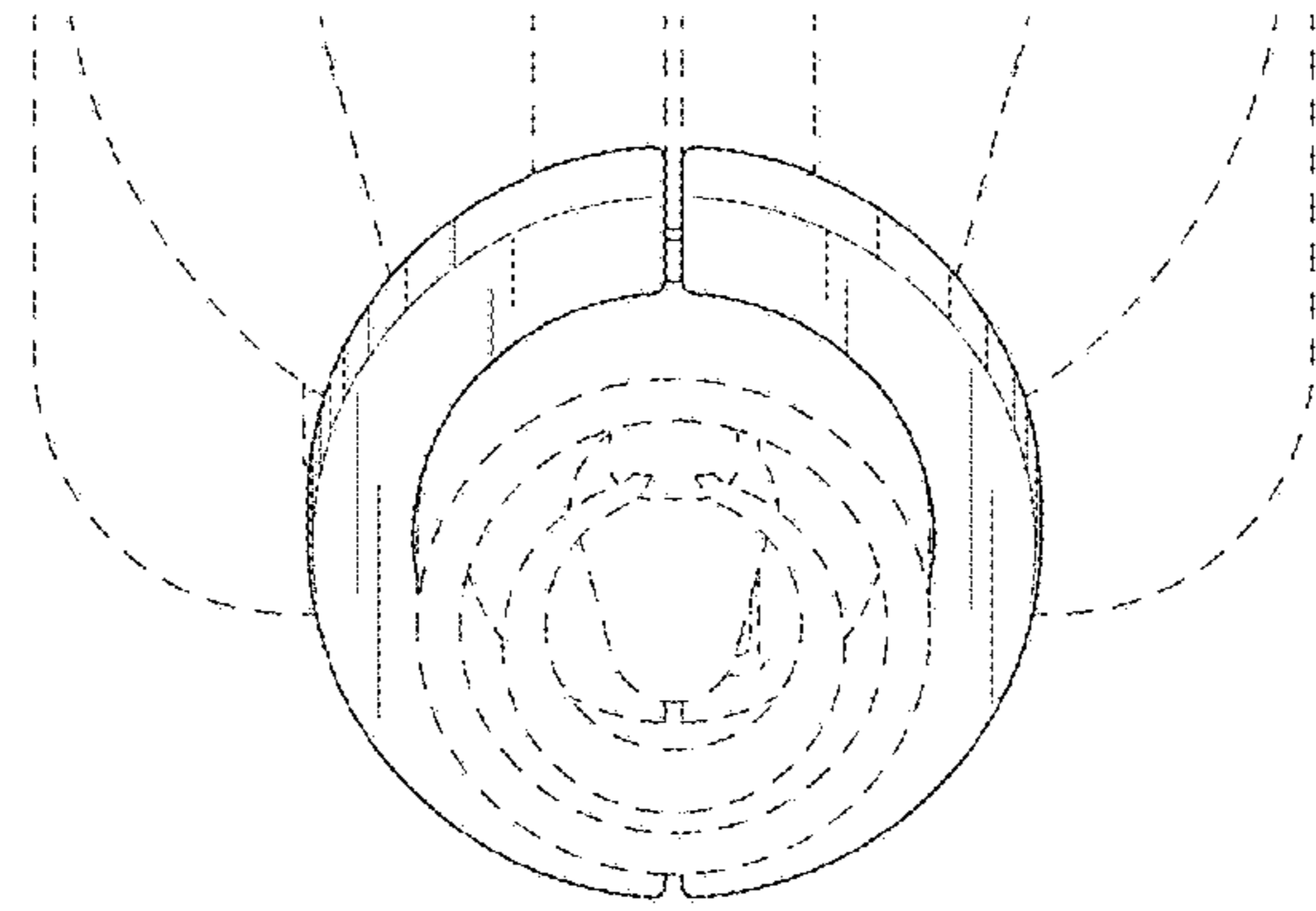


FIG.12

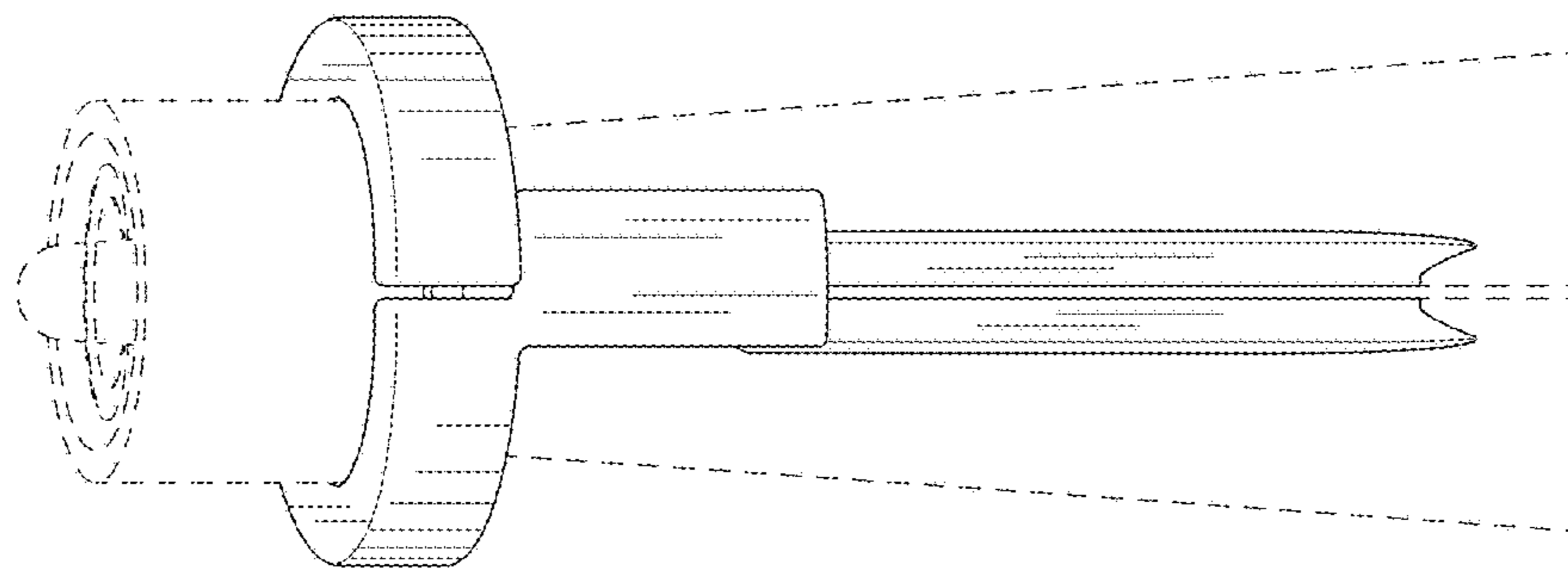


FIG.13