

US00D863994S

(12) **United States Design Patent** (10) **Patent No.:** **US D863,994 S**
King (45) **Date of Patent:** **** Oct. 22, 2019**

(54) **FOOD PROBE**

(71) Applicant: **Electrolux Appliances Aktiebolag**,
Stockholm (SE)

(72) Inventor: **Scott King**, Charlotte, NC (US)

(73) Assignee: **Electrolux Appliances Aktiebolag**,
Stockholm (SE)

(**) Term: **15 Years**

(21) Appl. No.: **29/657,499**

(22) Filed: **Jul. 23, 2018**

(30) **Foreign Application Priority Data**

Jan. 23, 2018 (WO) DM/099647

(51) **LOC (12) Cl.** **10-04**

(52) **U.S. Cl.**
USPC **D10/60**

(58) **Field of Classification Search**
USPC D10/57, 60
CPC G01K 2207/02; G01K 2207/04; G01K
2207/06; G01K 2207/08

See application file for complete search history.

(56) **References Cited**

U.S. PATENT DOCUMENTS

D700,076 S *	2/2014	Nordwall	D10/57
D726,558 S *	4/2015	Cooper	D10/57
D795,096 S *	8/2017	Alla	D10/57

* cited by examiner

Primary Examiner — Antoine Duval Davis

(74) *Attorney, Agent, or Firm* — Banner & Witcoff, Ltd.

(57) **CLAIM**

The ornamental design for a food probe, as shown and described.

DESCRIPTION

FIG. 1 is a perspective view of a food probe showing my new design;

FIG. 2 is a front view thereof;

FIG. 3 is a rear view thereof;

FIG. 4 is a left side view thereof;

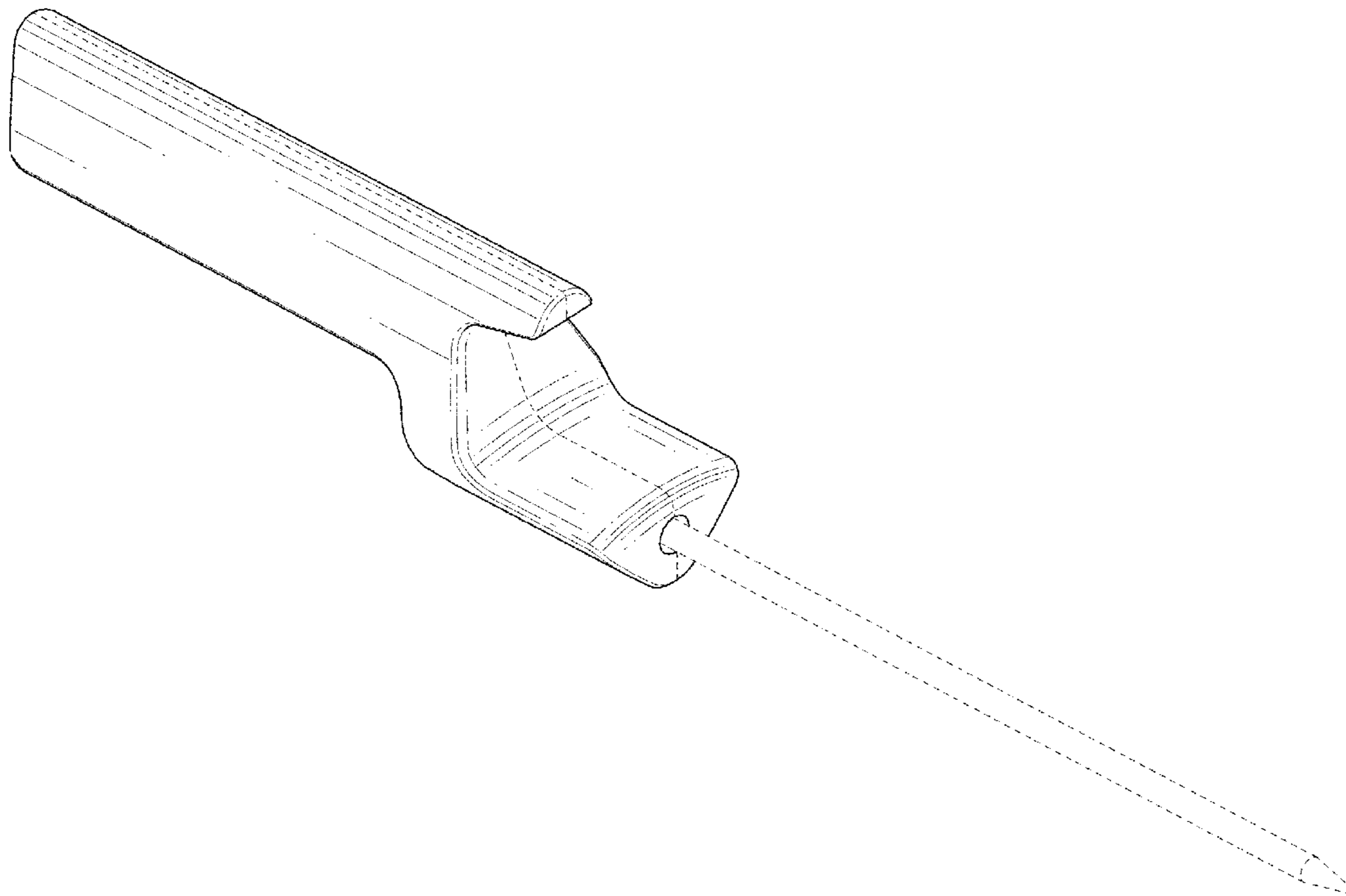
FIG. 5 is a right side view thereof;

FIG. 6 is a top view thereof; and,

FIG. 7 is a bottom view thereof.

The broken line showing of a part seam and the tip of the food probe forms no part of the claimed design.

1 Claim, 6 Drawing Sheets



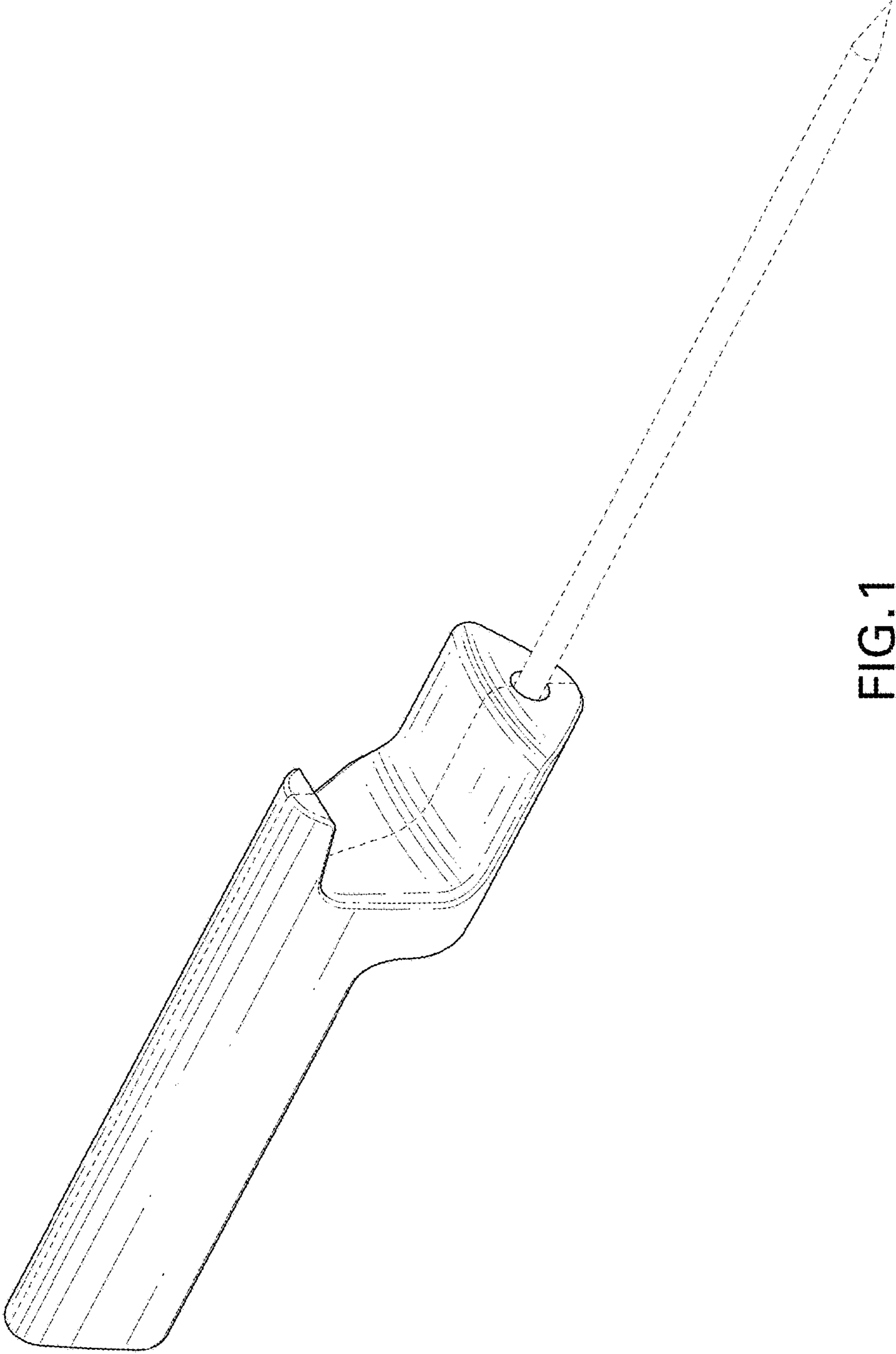


FIG. 1

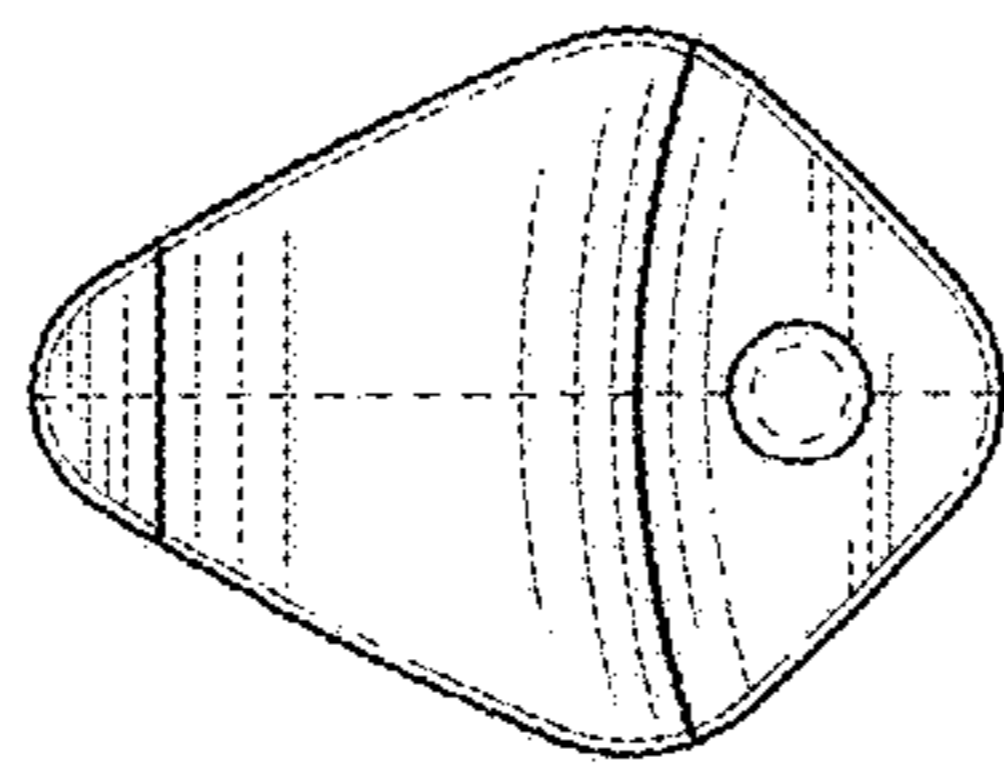


FIG. 2

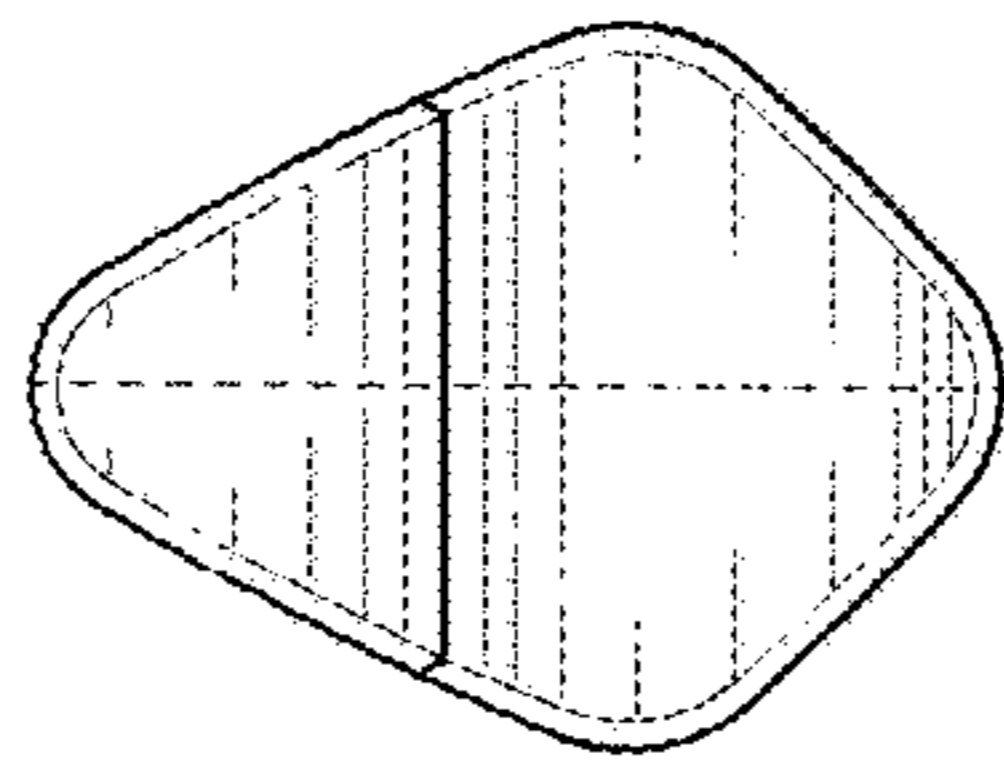


FIG. 3

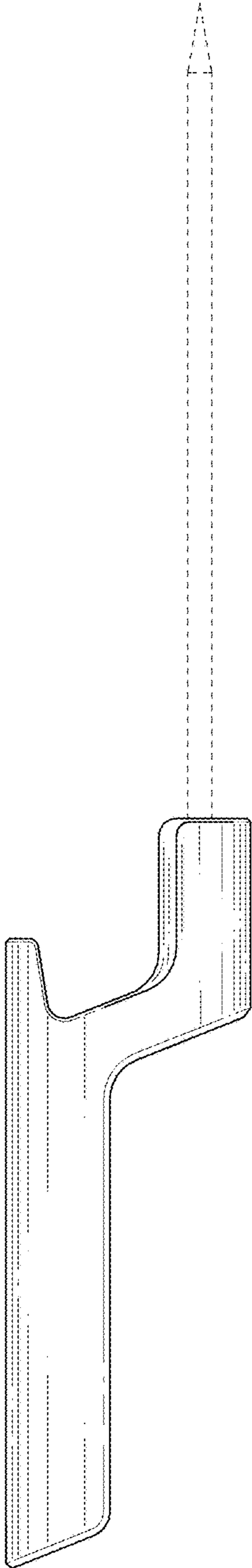


FIG.4

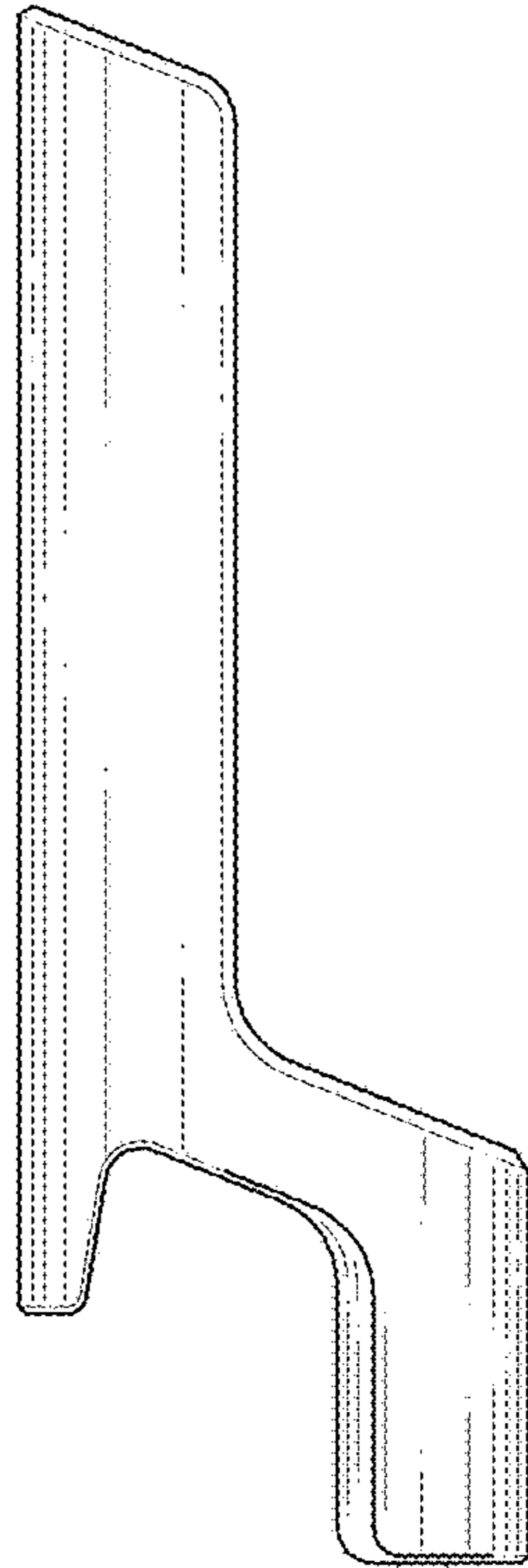


FIG. 5

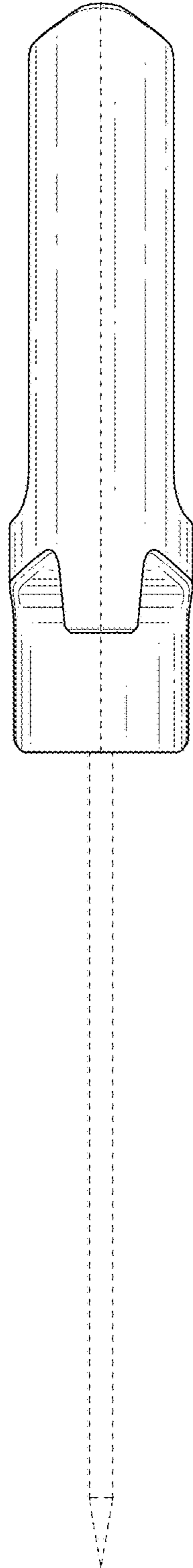


FIG.6

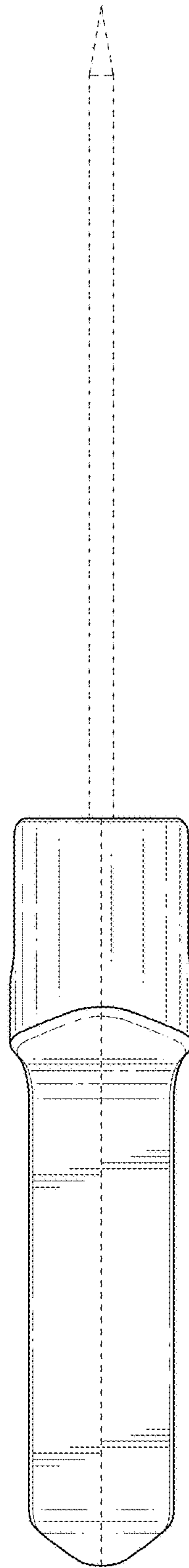


FIG. 7