



US00D863992S

(12) **United States Design Patent** (10) **Patent No.:** **US D863,992 S**  
**King** (45) **Date of Patent:** **\*\* Oct. 22, 2019**

(54) **FOOD PROBE**

(56) **References Cited**

(71) Applicant: **Electrolux Appliances Aktiebolag**,  
Stockholm (SE)

U.S. PATENT DOCUMENTS

(72) Inventor: **Scott King**, Charlotte, NC (US)

D700,076 S \* 2/2014 Nordwall ..... D10/57  
D726,558 S \* 4/2015 Cooper ..... D10/57  
D795,096 S \* 8/2017 Alla ..... D10/57

(73) Assignee: **Electrolux Appliances Aktiebolag**,  
Stockholm (SE)

\* cited by examiner

(\*\*) Term: **15 Years**

*Primary Examiner* — Antoine Duval Davis

(21) Appl. No.: **29/657,498**

(74) *Attorney, Agent, or Firm* — Banner & Witcoff, Ltd.

(22) Filed: **Jul. 23, 2018**

(57) **CLAIM**

The ornamental design for a food probe, as shown and described.

(30) **Foreign Application Priority Data**

**DESCRIPTION**

Jan. 23, 2018 (WO) ..... DM/099647

FIG. 1 is a perspective view of a food probe showing my new design;

(51) **LOC (12) Cl.** ..... **10-04**

FIG. 2 is a front view thereof;

(52) **U.S. Cl.**

FIG. 3 is a rear view thereof;

USPC ..... **D10/57**

FIG. 4 is a left side view thereof;

(58) **Field of Classification Search**

USPC ..... D10/57

FIG. 5 is a right side view thereof;

CPC ..... G01K 2207/02; G01K 2207/04; G01K

FIG. 6 is a top view thereof; and,

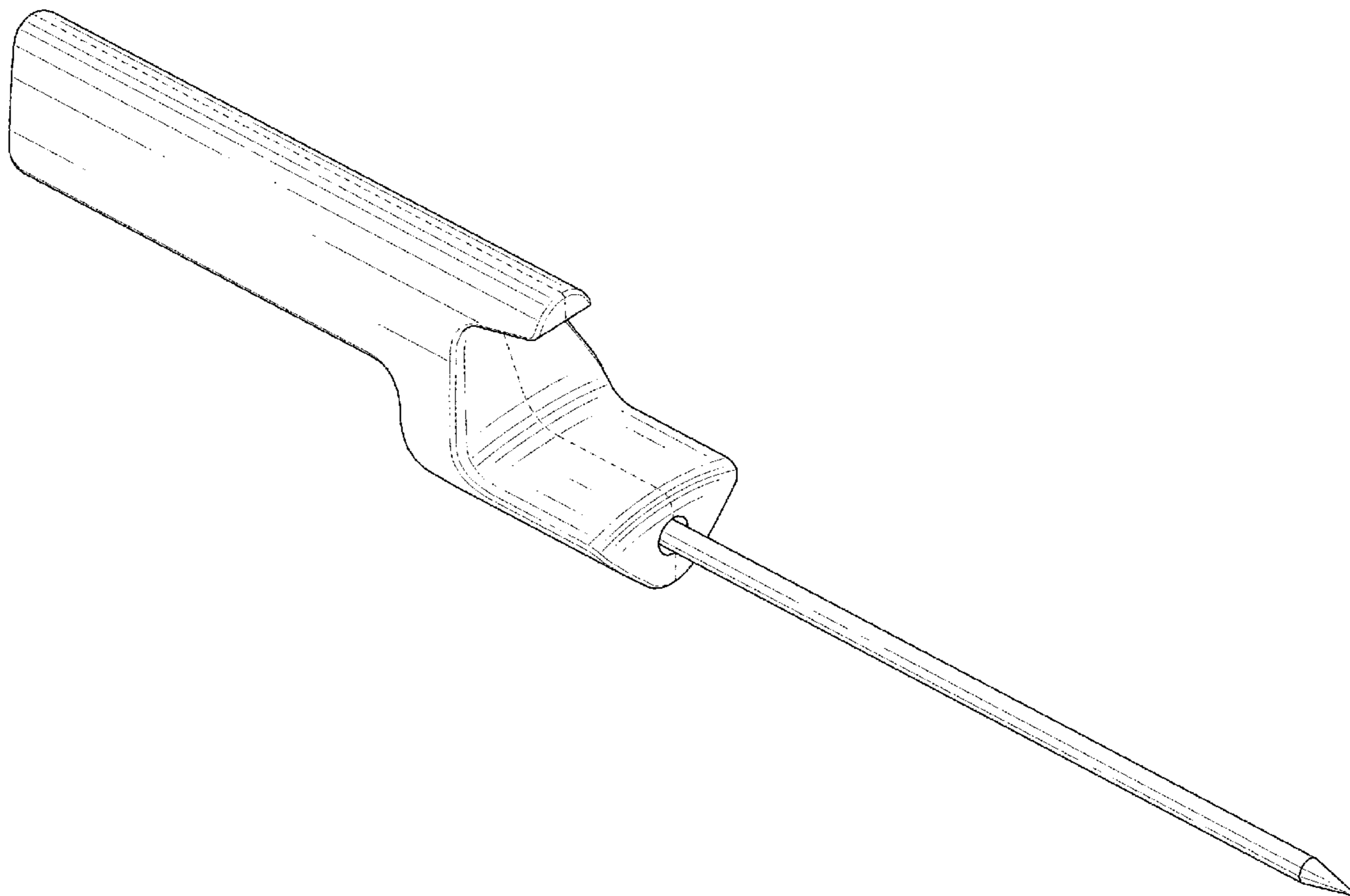
2207/06; G01K 2207/08

FIG. 7 is a bottom view thereof.

See application file for complete search history.

The broken line showing of a part seam forms no part of the claimed design.

**1 Claim, 6 Drawing Sheets**



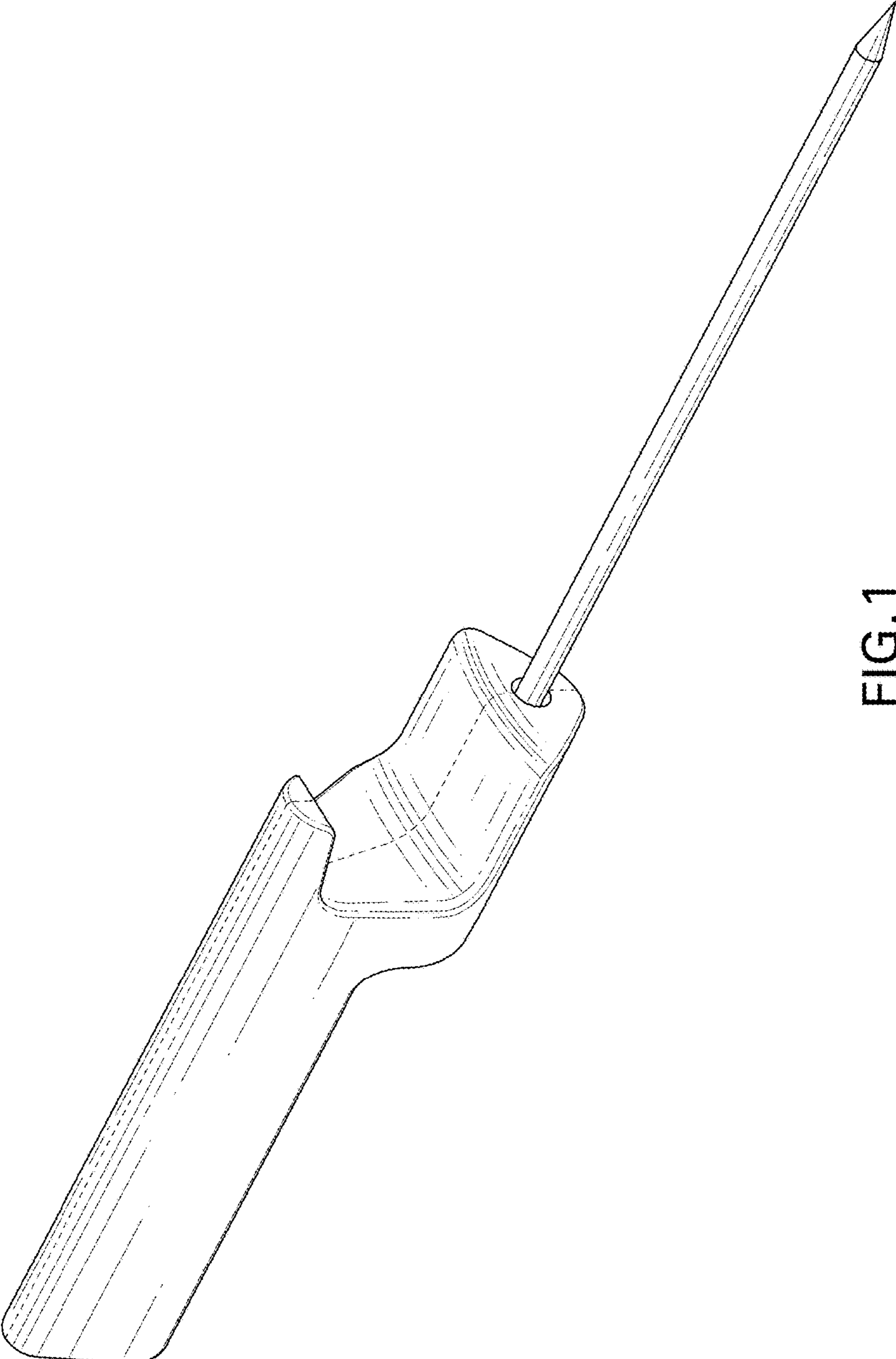


FIG. 1

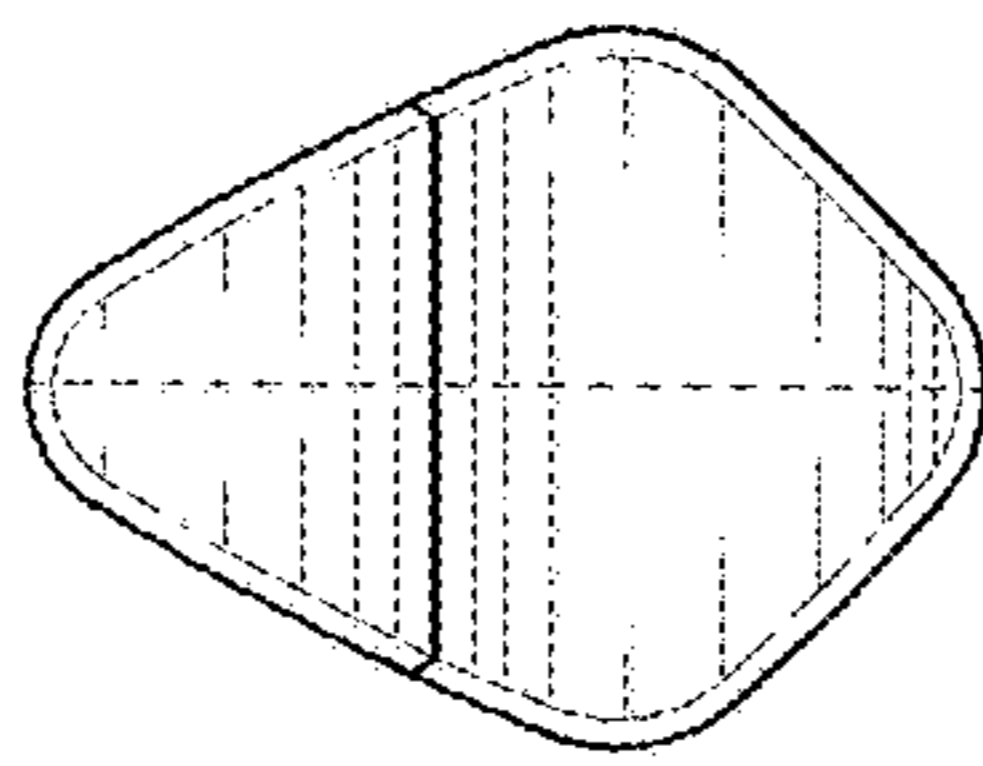


FIG. 3

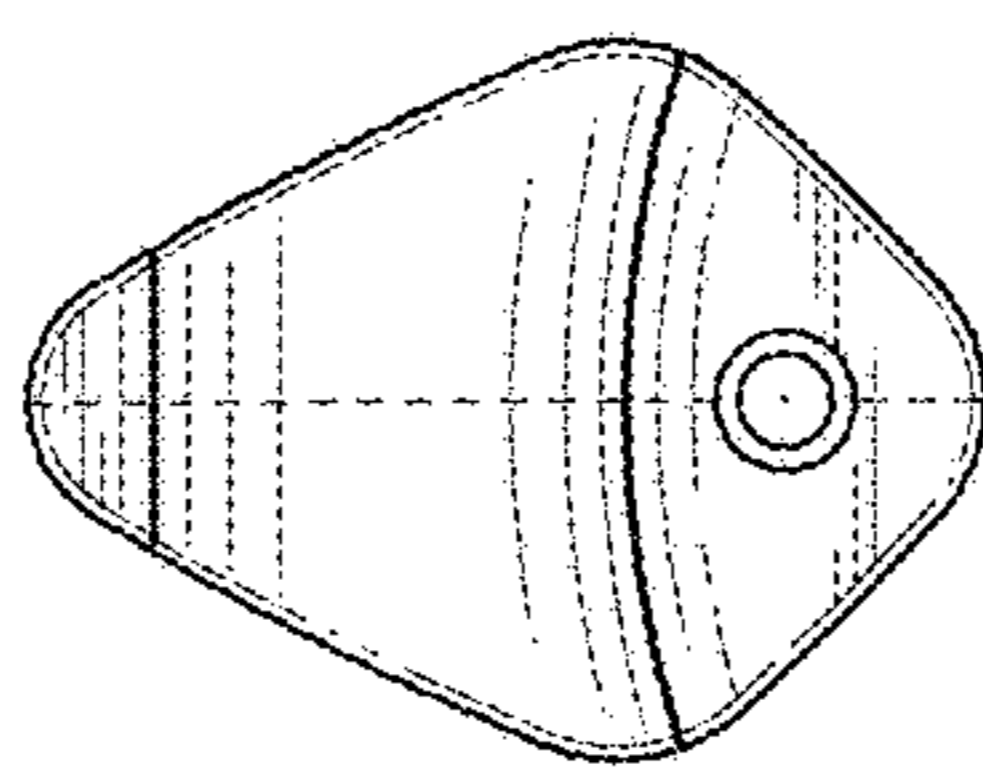


FIG. 2

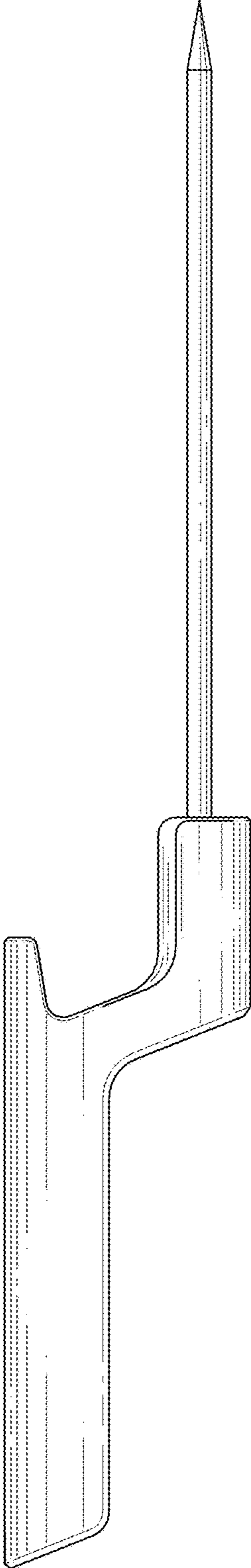


FIG.4

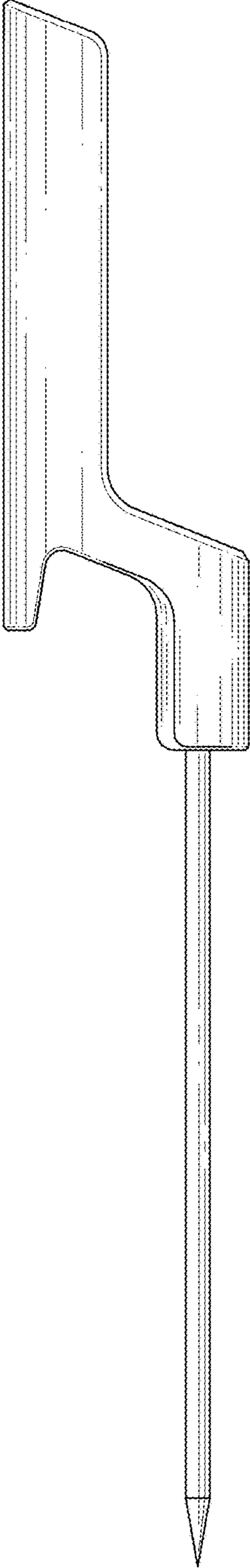


FIG. 5

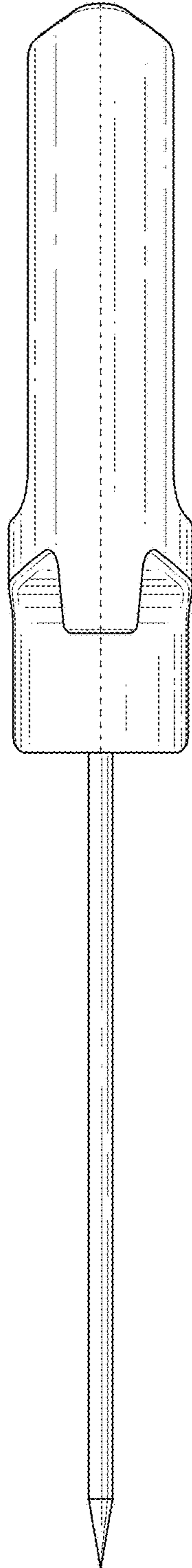


FIG. 6

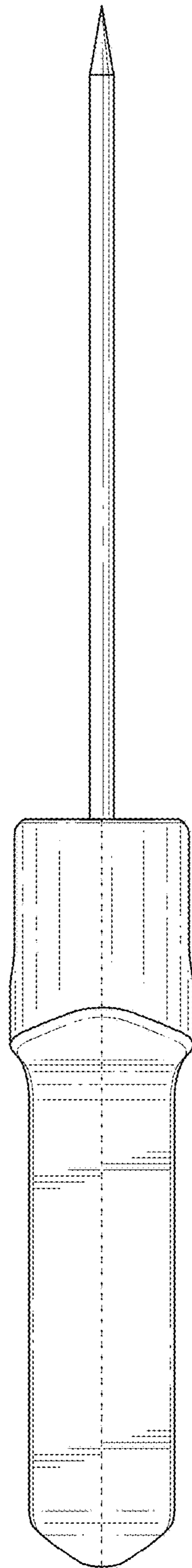


FIG. 7