



US00D863989S

(12) **United States Design Patent**  
**Liu**

(10) **Patent No.:** **US D863,989 S**

(45) **Date of Patent:** **\*\* Oct. 22, 2019**

(54) **TEMPERATURE CONTROLLER**

(71) Applicant: **Shenzhen Bestwo E-commerce Co., Ltd, Shenzhen (CN)**

(72) Inventor: **Zijin Liu, Shenzhen (CN)**

(73) Assignee: **Shenzhen Bestwo E-commerce Co., Ltd, Shenzhen (CN)**

(\*\*) Term: **15 Years**

(21) Appl. No.: **29/657,570**

(22) Filed: **Jul. 24, 2018**

(51) **LOC (12) Cl.** ..... **10-04**

(52) **U.S. Cl.**  
USPC ..... **D10/50**

(58) **Field of Classification Search**  
USPC ..... D10/49, 50; D13/162, 162.1, 177  
CPC . F23N 5/20; F23N 5/203; F23N 5/206; F23N 5/18; F23N 5/184; F23N 5/187; F23N 5/22; F23N 2025/12; F23N 2041/02; F24F 11/00; F24F 11/0012; F24F 11/0009; F24F 11/001; F24F 2011/0057; F24F 2011/0073; F24F 2011/0091; F24F 2011/0094; F24F 2011/0068; F24F 2011/0012; F24F 2011/0015; F24F 2011/0017; F21V 11/16; F21V 33/10; G05B 19/042; G05D 23/01; G05D 23/12; G05D 23/275; G05D 23/1902; G05D 23/1904; G05D 23/27502; G05D 23/27503; G05D 23/1919; G05D 23/19; G05D 23/2723; G05D 23/00; G09F 13/22; G09F 9/53; G06F 1/1684; G06F

1/30; G06F 3/0362; G06F 3/038; H05B 33/0854; H05B 37/0218; H05K 5/0017; H05K 5/0243; H05K 5/00; H05K 5/03; H04M 2250/12; H04M 2250/22

See application file for complete search history.

(56) **References Cited**

**U.S. PATENT DOCUMENTS**

D464,630 S *	10/2002	Woodworth .....	D13/171
D691,965 S *	10/2013	Bedolla .....	D13/162
D818,849 S *	5/2018	Copparstad .....	D10/50
D823,146 S *	7/2018	Minchilli .....	D10/49
D843,238 S *	3/2019	Rose .....	D10/50

\* cited by examiner

*Primary Examiner* — Antoine Duval Davis

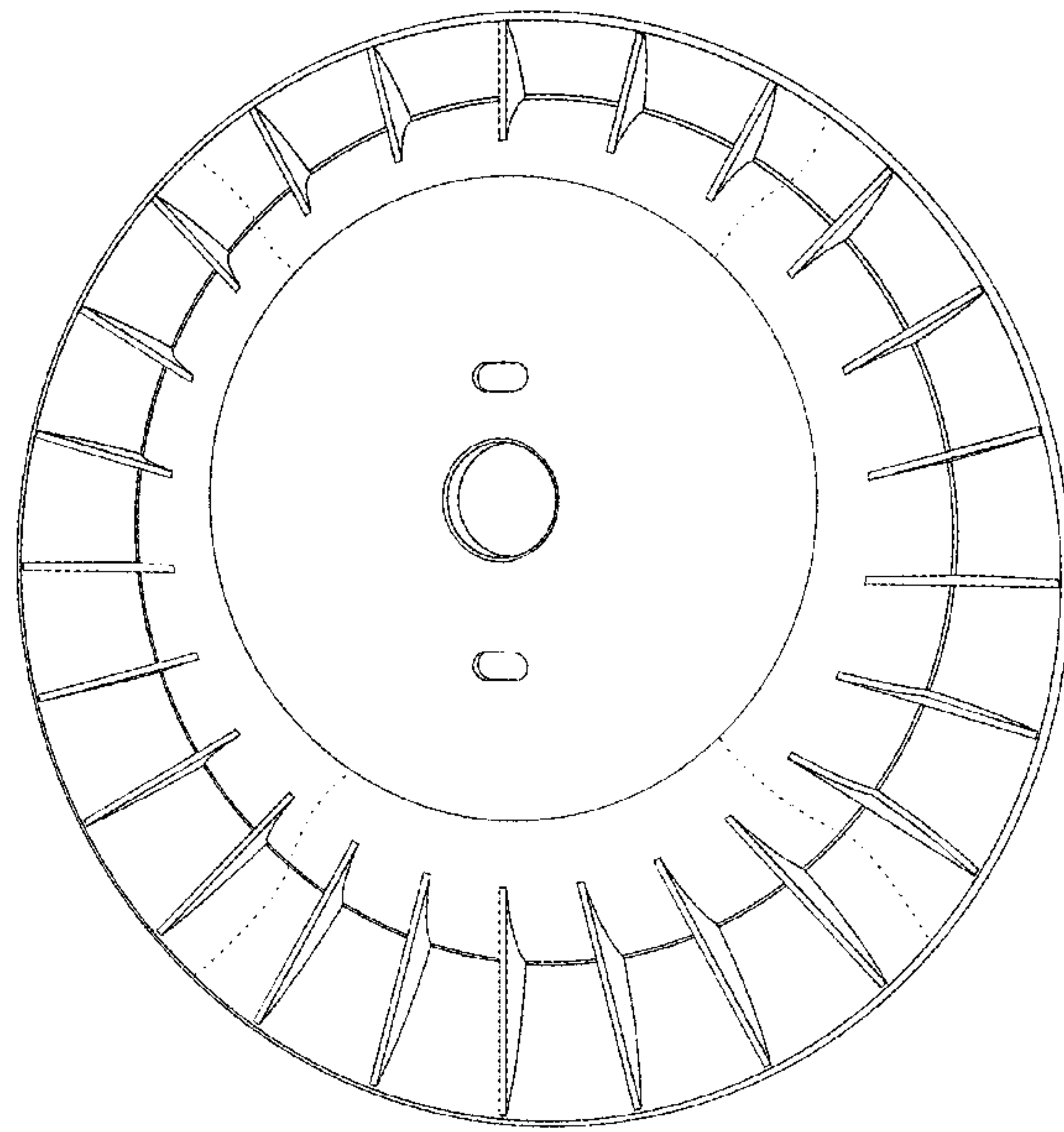
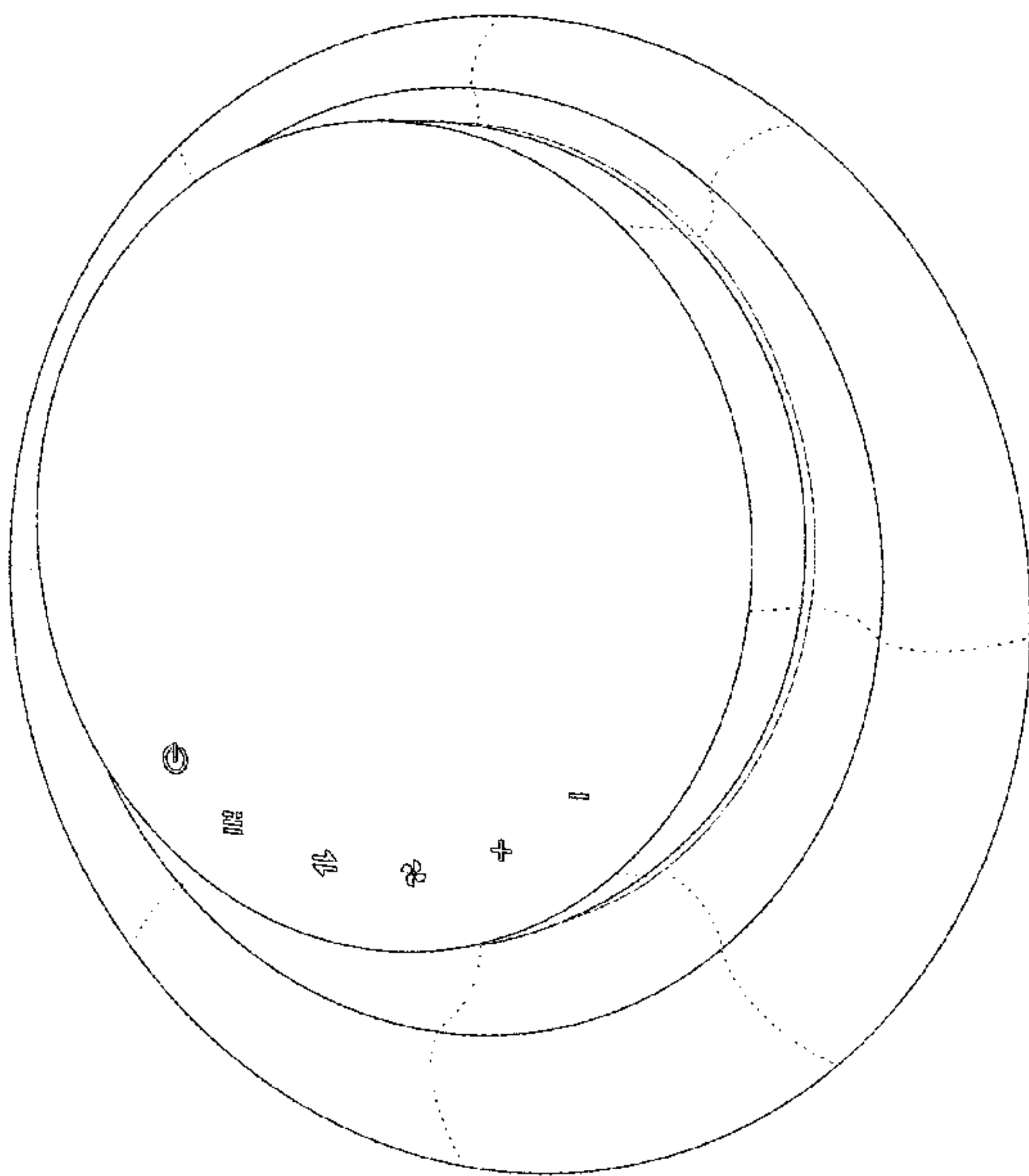
(57) **CLAIM**

The ornamental design for a temperature controller, as shown and described.

**DESCRIPTION**

FIG. 1 is a perspective view of a temperature controller; FIG. 2 is another perspective view thereof; FIG. 3 is a front elevation view thereof; FIG. 4 is a rear elevation view thereof; FIG. 5 is a left side elevation view thereof; FIG. 6 is a right side elevation view thereof; FIG. 7 is a top plan the view thereof; and, FIG. 8 is a bottom plan the view thereof.

**1 Claim, 8 Drawing Sheets**



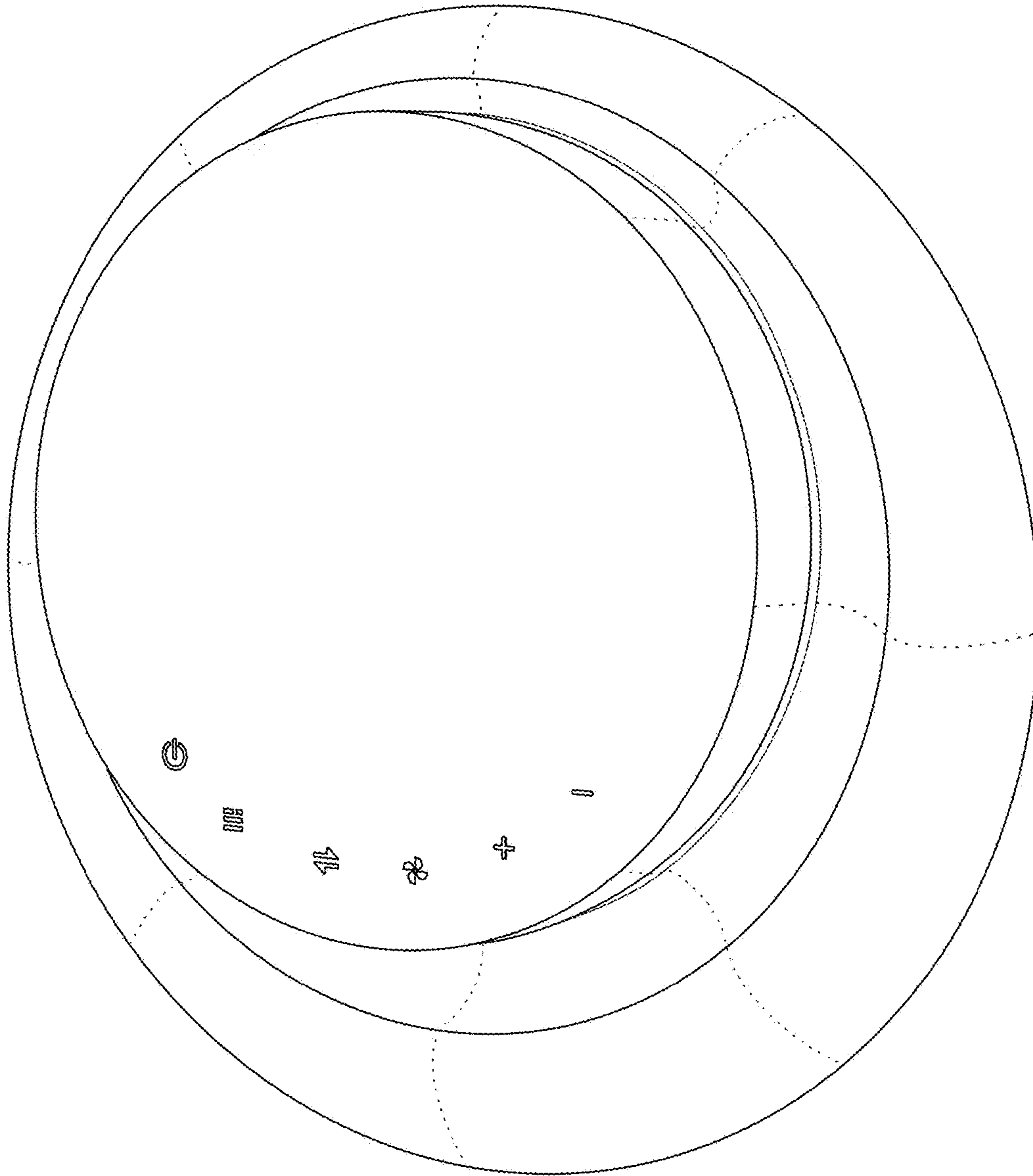


FIG. 1

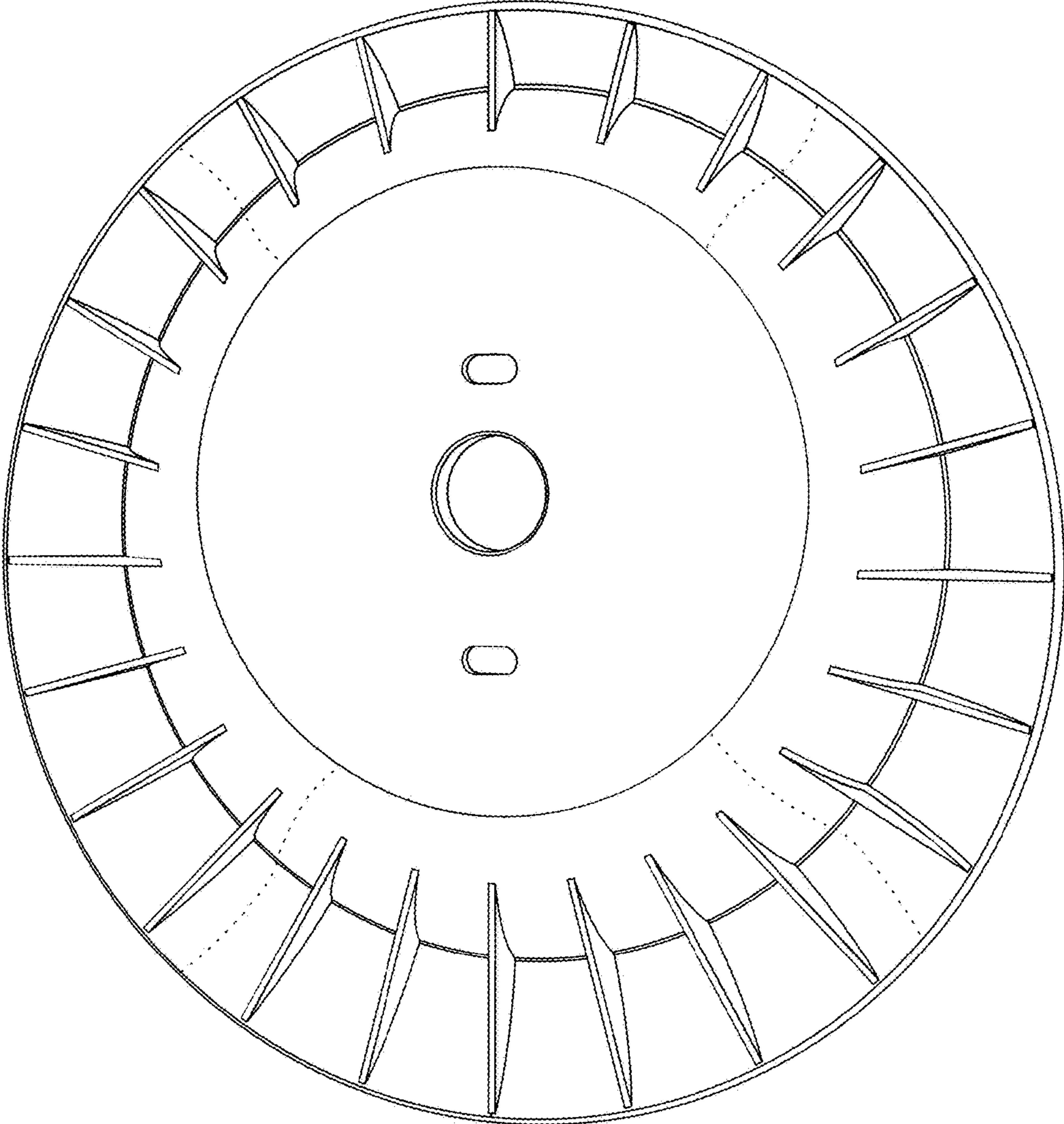


FIG.2

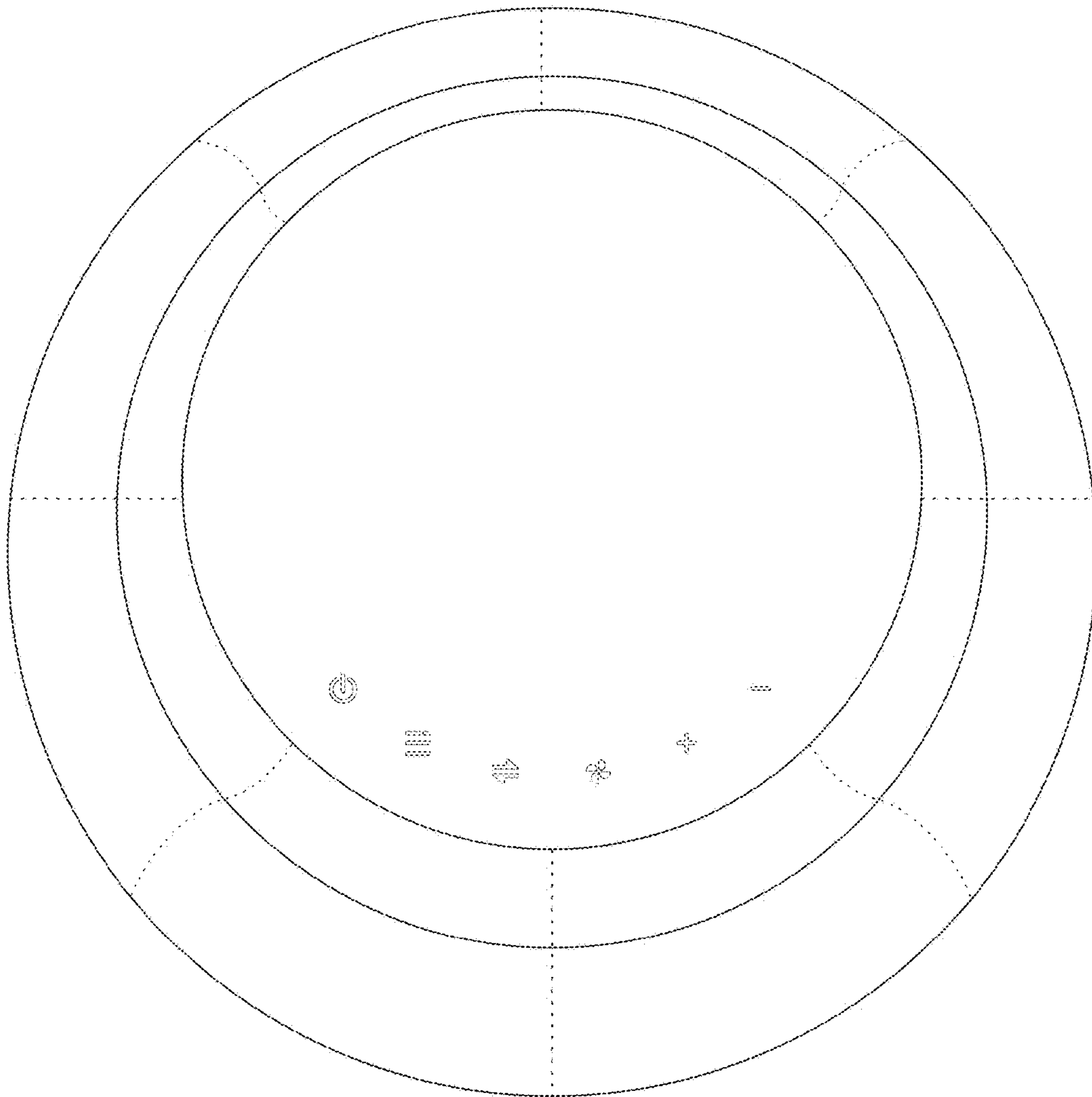


FIG.3



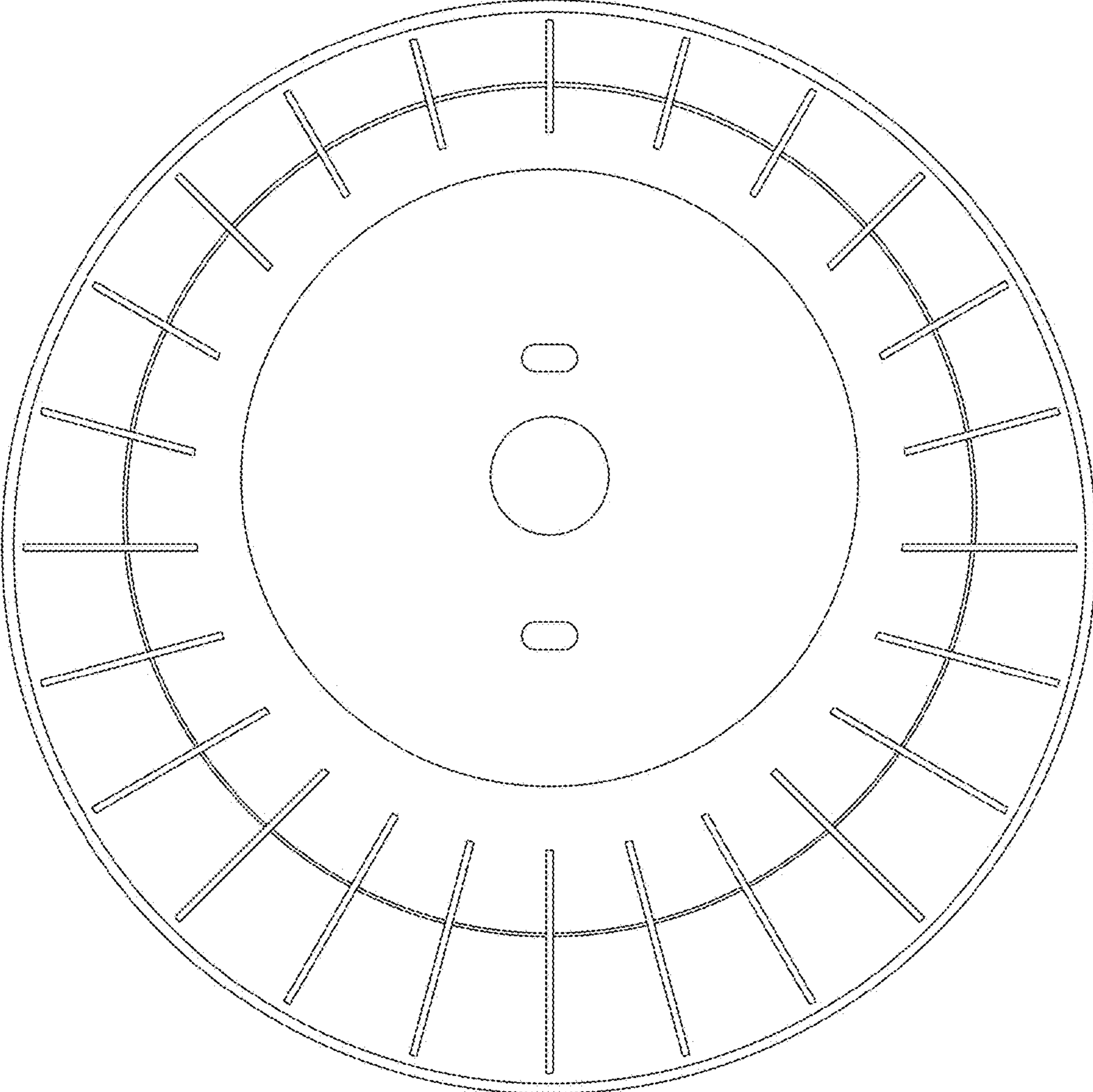


FIG.4

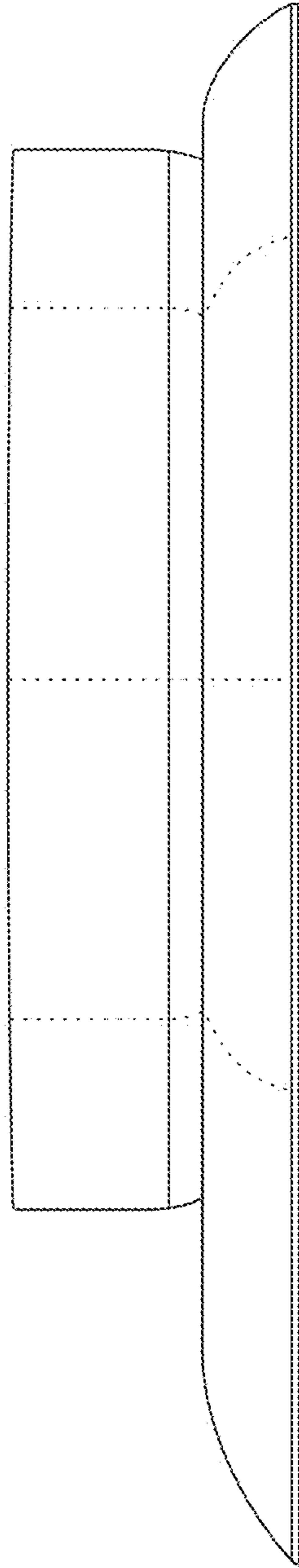


FIG.5

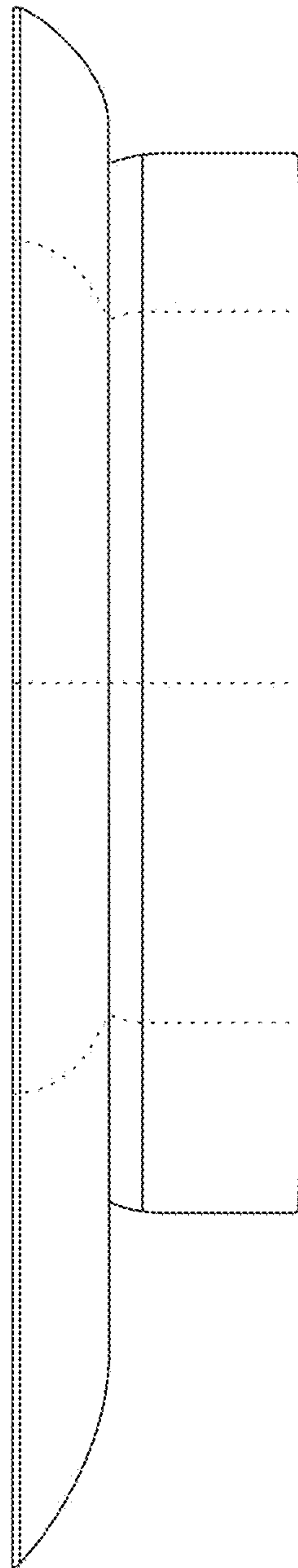


FIG.6

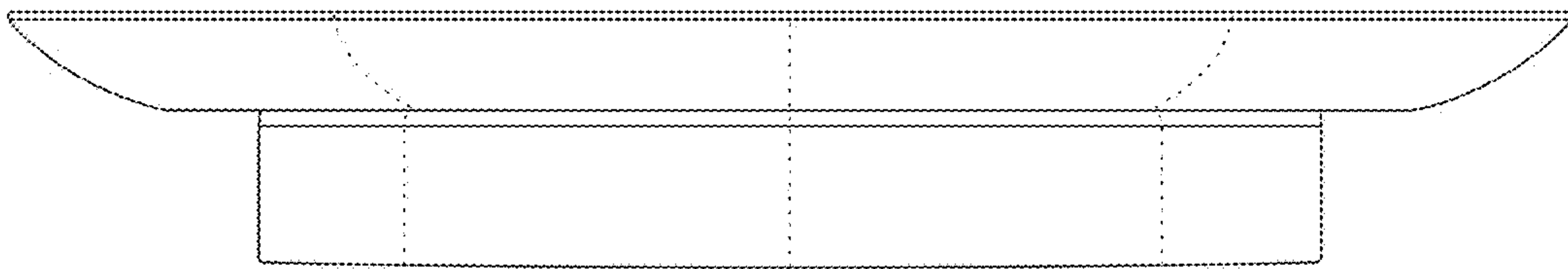


FIG. 7



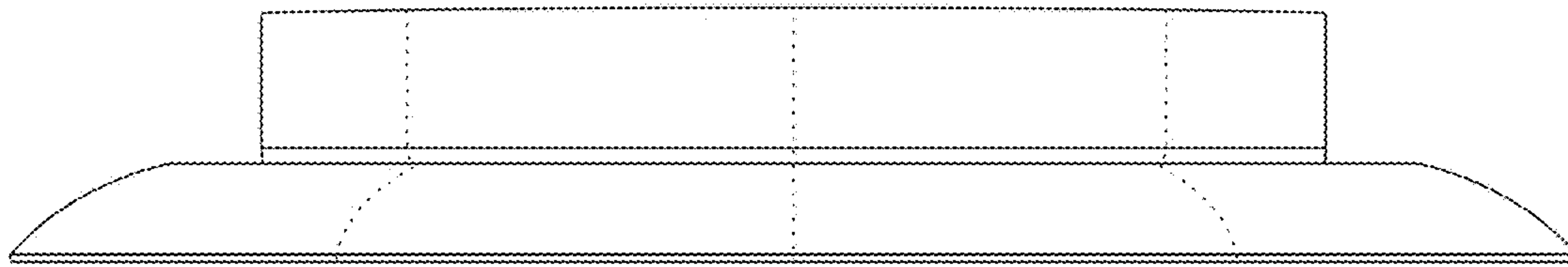


FIG. 8