

US00D863988S

(12) **United States Design Patent** (10) **Patent No.:** **US D863,988 S**  
**MacKay et al.** (45) **Date of Patent:** **\*\* Oct. 22, 2019**

(54) **PARKING METER**

(56)

**References Cited**

- (71) Applicant: **J.J. MacKay Canada Limited**, New Glasgow (CA)
- (72) Inventors: **George Allan MacKay**, New Glasgow (CA); **James George MacKay**, New Glasgow (CA); **Adrian Ignatius O'Neil**, New Glasgow (CA); **Robert Steven Cosh**, Antigonish (CA); **Darren Scott Cameron**, New Glasgow (CA); **Gregory Emile Chauvin**, Brookside (CA); **David Andrew McMullin**, Ottawa (CA); **Michael Brown**, Ottawa (CA); **Matthew Watson**, Ottawa (CA)
- (73) Assignee: **J.J. MacKay Canada Limited**, New Glasgow, Nova Scotia (CA)
- (\*\*) Term: **15 Years**
- (21) Appl. No.: **29/601,690**
- (22) Filed: **Apr. 25, 2017**

U.S. PATENT DOCUMENTS

480,108 A	8/1892	Loch	
1,189,991 A	7/1916	Mugler	
1,445,771 A	2/1923	Keplinger	
1,818,568 A	8/1931	Melick	
D98,810 S	3/1936	Magee	
D100,875 S	8/1936	Michaels	
D101,237 S	9/1936	Miller	
D106,561 S	* 10/1937	Broussard	D10/42
D107,577 S	12/1937	McGay et al.	
2,118,318 A	5/1938	Magee	
D112,677 S	12/1938	Broussard et al.	
2,161,046 A	6/1939	Hitzeman	
D116,805 S	9/1939	Reznek	
2,229,183 A	1/1941	Mitchell	
2,261,353 A	11/1941	Fedele	
2,289,838 A	7/1942	Herschede et al.	
D152,294 S	1/1949	Siegel et al.	
D152,587 S	2/1949	Brundage	
D154,716 S	8/1949	Simpson	
2,483,805 A	10/1949	Broussard et al.	
2,495,784 A	1/1950	Starts	
D162,698 S	3/1951	Teague	
2,546,433 A	3/1951	Dick	
2,547,272 A	4/1951	Lawson et al.	
2,550,433 A	4/1951	Tichenor	
2,570,920 A	10/1951	Clough et al.	
D166,059 S	2/1952	Yoss	
2,594,388 A	4/1952	Broussard	
2,595,124 A	4/1952	Campbell	
D166,753 S	5/1952	Jones	
2,596,122 A	5/1952	Broussard	
2,596,123 A	5/1952	Broussard	
2,596,124 A	5/1952	Broussard	
2,599,881 A	6/1952	Woodruff	
2,613,792 A	10/1952	Broussard et al.	
2,613,871 A	10/1952	Broussard et al.	
2,618,371 A	11/1952	Broussard	
2,633,960 A	4/1953	Broussard	
D181,359 S	11/1957	Jones	
2,818,371 A	12/1957	Wessinger	
2,822,682 A	2/1958	Sollenberger	
2,832,506 A	4/1958	Hatcher	
D189,106 S	10/1960	Leiderman	
2,956,525 A	10/1960	Blauvelt	
2,985,978 A	5/1961	Breen et al.	
2,988,191 A	6/1961	Grant	
2,995,230 A	8/1961	Moody et al.	
3,018,615 A	1/1962	Minton et al.	
3,056,544 A	10/1962	Sollenberger et al.	

**Related U.S. Application Data**

- (62) Division of application No. 29/555,671, filed on Feb. 24, 2016, now Pat. No. Des. 813,059.

(30) **Foreign Application Priority Data**

Oct. 16, 2015 (CA) ..... 164824

(51) **LOC (12) Cl.** ..... **10-03**

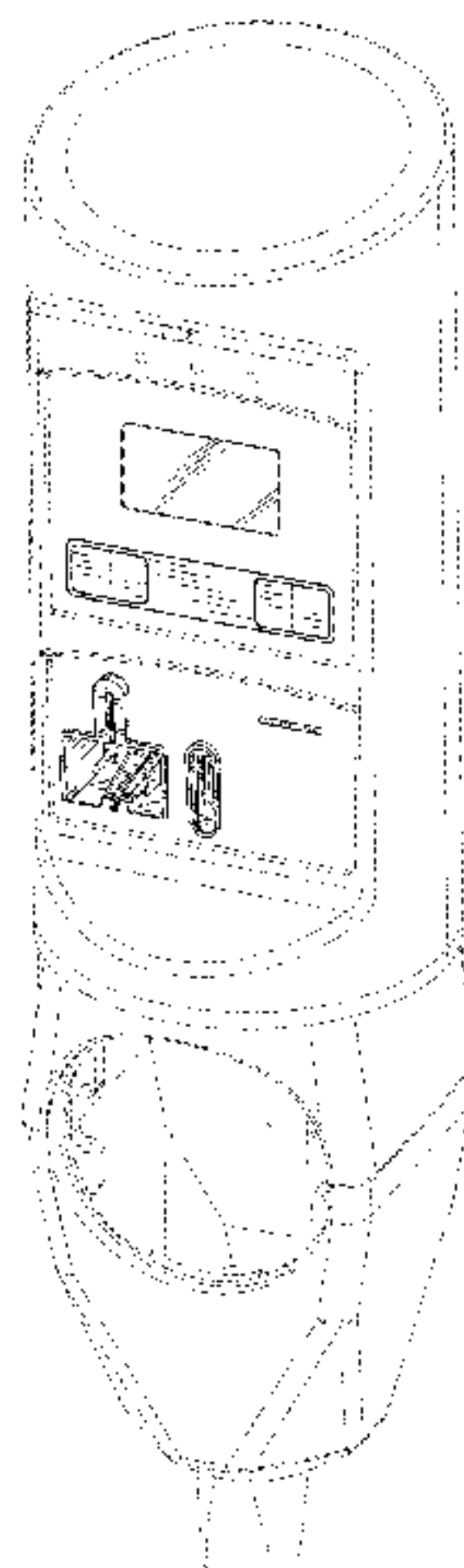
(52) **U.S. Cl.**  
USPC ..... **D10/42**

(58) **Field of Classification Search**

USPC ..... D10/40, 42, 41, 102, 49, 50, 52, 75, 80,  
D10/103, 43, 44; D99/35, 43; D13/162,  
D13/173, 184, 199

CPC ..... G07F 17/24; G07F 17/242; G07F 17/244;  
G07F 17/246; G07C 1/30

See application file for complete search history.



# US D863,988 S

D199,270 S	9/1964	Michaels	5,065,156 A	11/1991	Bernier
D200,216 S	2/1965	Broussard	5,076,414 A	12/1991	Kimoto
3,183,411 A	5/1965	Palfi	5,088,073 A	2/1992	Speas
3,199,321 A	8/1965	Sollenberger	5,109,972 A	5/1992	Van Horn et al.
3,204,438 A	9/1965	Sollenberger	5,119,916 A	6/1992	Carmen et al.
3,208,061 A	9/1965	Gervasi et al.	5,155,614 A	10/1992	Carmen et al.
3,262,540 A	7/1966	Sollenberger et al.	5,158,166 A	10/1992	Barson
3,272,299 A	9/1966	Sollenberger	5,184,707 A	2/1993	Van Horn et al.
3,324,647 A	6/1967	Jedynak	5,192,855 A	3/1993	Insulander et al.
3,373,856 A	3/1968	Kusters et al.	5,201,396 A	4/1993	Chalabian et al.
3,438,031 A	4/1969	Fathauer	D335,460 S	5/1993	Tanaka
3,486,324 A	12/1969	Andersson	D336,860 S	6/1993	Clough
3,519,113 A	7/1970	Arzig et al.	5,222,076 A	6/1993	Ng et al.
3,535,870 A	10/1970	Mitchell	D337,953 S *	8/1993	Verborn ..... D10/30
3,565,283 A	2/1971	Sciacero et al.	5,244,070 A	9/1993	Carmen et al.
3,637,277 A	1/1972	Krug et al.	D340,038 S	10/1993	Venne et al.
3,666,067 A	5/1972	Kaiser	5,259,491 A	11/1993	Ward, II
3,721,463 A	3/1973	Attwood et al.	5,266,947 A	11/1993	Fujiwara et al.
3,770,090 A	11/1973	Fayling et al.	D342,209 S	12/1993	Clough
D230,511 S	2/1974	Stieber	5,273,151 A	12/1993	Carmen et al.
D235,801 S	7/1975	Gore	5,287,384 A	2/1994	Avery et al.
3,941,989 A	3/1976	McLaughlin et al.	5,293,979 A	3/1994	Levasseur
3,964,590 A	6/1976	May et al.	5,298,894 A	3/1994	Cerny et al.
3,975,934 A	8/1976	Babai et al.	5,343,237 A	8/1994	Morimoto
3,982,620 A	9/1976	Kortenhaus	D351,193 S	10/1994	Abe
3,991,595 A	11/1976	Bahry et al.	5,351,798 A	10/1994	Hayes
3,999,372 A	12/1976	Welch et al.	5,360,095 A	11/1994	Speas
4,031,991 A	6/1977	Malott	D354,047 S	1/1995	Leggate et al.
4,043,117 A	8/1977	Maresca et al.	D354,835 S	1/1995	Brendel
4,147,707 A	4/1979	Alewelt et al.	5,382,780 A	1/1995	Carmen
4,237,710 A	12/1980	Cardozo	5,402,475 A	3/1995	Lesner, Jr. et al.
4,248,225 A	2/1981	Fiedler	5,407,049 A	4/1995	Jacobs
4,249,648 A	2/1981	Meyer	5,426,363 A	6/1995	Akagi et al.
4,264,963 A	4/1981	Leach	D360,734 S	7/1995	Hall
4,306,219 A	12/1981	Main et al.	5,439,089 A	8/1995	Parker
4,310,890 A	1/1982	Trehn et al.	5,442,348 A	8/1995	Mushell
4,317,180 A	2/1982	Lies	5,454,461 A	10/1995	Jacobs
4,317,181 A	2/1982	Teza et al.	5,471,139 A	11/1995	Zadoff
4,323,847 A	4/1982	Karbowski	5,475,373 A	12/1995	Speas
4,379,334 A	4/1983	Feagins, Jr. et al.	5,489,014 A	2/1996	Menoud
4,409,665 A	10/1983	Tubbs	5,500,517 A	3/1996	Cagliostro
D272,291 S	1/1984	Hauser et al.	5,507,378 A	4/1996	Leone
4,432,447 A	2/1984	Tanaka	5,526,662 A	6/1996	Diekhoff et al.
4,460,080 A	7/1984	Howard	5,563,491 A	10/1996	Tseng
4,460,965 A	7/1984	Trehn et al.	5,568,441 A	10/1996	Sanemitsu
4,474,281 A	10/1984	Roberts et al.	D375,607 S	11/1996	Hall
4,479,191 A	10/1984	Nojima et al.	5,570,771 A	11/1996	Jacobs
4,483,431 A	11/1984	Pratt	5,573,099 A	11/1996	Church et al.
D278,689 S	5/1985	Jupe	5,614,892 A	3/1997	Ward, II et al.
4,574,936 A	3/1986	Klinger	5,617,942 A	4/1997	Ward, II et al.
4,639,021 A	1/1987	Hope	5,619,932 A	4/1997	Efland et al.
D288,441 S	2/1987	Lalonde	5,640,002 A	6/1997	Ruppert et al.
4,678,994 A	7/1987	Davies	5,642,119 A	6/1997	Jacobs
4,742,903 A	5/1988	Trummer	5,648,906 A	7/1997	Amirpanahi
4,749,074 A	6/1988	Ueki et al.	D381,976 S	8/1997	Sandor et al.
D296,795 S	7/1988	Bouve	5,659,306 A	8/1997	Bahar
4,763,769 A	8/1988	Levasseur	5,687,129 A	11/1997	Kim
4,809,838 A	3/1989	Houserman	D388,227 S	12/1997	Dallman et al.
4,812,805 A	3/1989	Lachat et al.	D388,231 S	12/1997	Magee et al.
4,823,928 A	4/1989	Speas	5,710,743 A	1/1998	Dee et al.
4,825,425 A	4/1989	Turner	D391,238 S	2/1998	Sakata
4,827,206 A	5/1989	Speas	5,732,812 A	3/1998	Grainger et al.
4,845,484 A	7/1989	Ellsberg	D393,212 S	4/1998	Lucas
4,848,556 A	7/1989	Shah et al.	5,737,710 A	4/1998	Anthonyson
4,854,987 A	7/1989	Day	5,740,050 A	4/1998	Ward, II
4,872,149 A	10/1989	Speas	5,748,103 A	5/1998	Flach et al.
4,875,598 A	10/1989	Dahl	D395,133 S	6/1998	Mikami et al.
4,880,097 A	11/1989	Speas	5,761,061 A	6/1998	Amano
4,880,406 A	11/1989	Van Horn et al.	5,777,302 A	7/1998	Nakagawa et al.
4,895,238 A	1/1990	Speas	5,777,951 A	7/1998	Mitschele et al.
4,951,799 A	8/1990	Kai	5,777,957 A	7/1998	Lyman
4,967,895 A	11/1990	Speas	5,778,067 A	7/1998	Jones et al.
4,967,985 A	11/1990	Deakin	D396,655 S	8/1998	Anderson
4,976,630 A	12/1990	Schuder et al.	5,803,228 A	9/1998	Lucas
4,989,714 A	2/1991	Abe	5,805,083 A	9/1998	Sutton et al.
5,027,935 A	7/1991	Berg et al.	5,806,651 A	9/1998	Carmen et al.
5,029,094 A	7/1991	Wong	D400,115 S	10/1998	Yaron et al.
D319,077 S	8/1991	Arato et al.	D400,684 S	11/1998	Dallman
5,060,777 A	10/1991	Van Horn et al.	5,833,042 A	11/1998	Baitech et al.



# US D863,988 S

5,841,369 A	11/1998	Sutton et al.	D472,362 S	3/2003	Zerman et al.
5,842,411 A	12/1998	Johnson	6,539,370 B1	3/2003	Chang et al.
5,845,268 A	12/1998	Moore	6,559,776 B2	5/2003	Katz
5,852,411 A	12/1998	Jacobs et al.	6,575,281 B2	6/2003	Lee
D404,025 S	1/1999	Van Horne et al.	D477,030 S	7/2003	Kolls et al.
5,903,520 A	5/1999	Dee et al.	D481,516 S	10/2003	Magee et al.
5,906,260 A	5/1999	Goodrich	D485,417 S	1/2004	Thomas et al.
5,911,763 A	6/1999	Quesada	6,697,730 B2	2/2004	Dickerson
D411,848 S	7/1999	Maruska et al.	D488,280 S	4/2004	Zerman et al.
D412,233 S	7/1999	Cajacob et al.	D490,727 S *	6/2004	Kido ..... D10/125
D412,289 S	7/1999	Winwood	D492,080 S	6/2004	Magee et al.
D413,311 S	8/1999	Blalock	D492,081 S	6/2004	Magee et al.
5,936,527 A	8/1999	Isaacman et al.	D492,085 S	6/2004	Korte et al.
5,940,481 A	8/1999	Zeitman	6,747,575 B2	6/2004	Chauvin et al.
5,954,182 A	9/1999	Wei	6,763,094 B2	7/2004	Conn et al.
5,966,345 A	10/1999	Dee et al.	D494,730 S	8/2004	Magee et al.
D419,277 S	1/2000	Ishii et al.	6,791,473 B2	9/2004	Kibria et al.
6,026,946 A	2/2000	McCarty, Jr.	RE38,626 E	10/2004	Kielland
D421,399 S *	3/2000	Bennett ..... D10/103	D497,393 S	10/2004	Herbst
6,037,880 A	3/2000	Manion	6,799,387 B2	10/2004	Pippins
D423,181 S	4/2000	Dallman	D497,814 S	11/2004	Odinotski et al.
D423,755 S	4/2000	Ha	D498,795 S	11/2004	Nunn
6,052,453 A	4/2000	Sagady et al.	6,812,857 B1	11/2004	Kassab et al.
6,078,272 A	6/2000	Jacobs et al.	6,823,317 B1	11/2004	Ouimet et al.
6,081,205 A	6/2000	Williams	6,856,922 B1	2/2005	Austin et al.
6,081,206 A	6/2000	Kielland	6,874,340 B1	4/2005	Berman
D427,413 S	7/2000	Wallace et al.	6,885,311 B2	4/2005	Howard et al.
6,082,153 A	7/2000	Schoell et al.	D505,240 S	5/2005	Swaine et al.
6,098,361 A	8/2000	Roten et al.	6,889,899 B2	5/2005	Silberberg
6,107,942 A	8/2000	Yoo et al.	D506,509 S	6/2005	Nunn
6,109,418 A	8/2000	Yost	D506,769 S	6/2005	Asai
6,111,522 A	8/2000	Hiltz et al.	6,914,411 B2	7/2005	Couch et al.
D430,810 S	9/2000	Omuro et al.	D508,064 S	8/2005	Ramirez
6,116,403 A	9/2000	Kiehl	6,929,179 B2	8/2005	Fulcher et al.
D431,788 S	10/2000	Tuxen et al.	6,946,974 B1	9/2005	Racunas, Jr.
D432,286 S	10/2000	Irie	D510,751 S	10/2005	Magee et al.
6,132,152 A	10/2000	Kaibach et al.	7,004,385 B1	2/2006	Douglass
6,147,624 A	11/2000	Clapper	7,014,355 B2	3/2006	Potter, Sr. et al.
6,188,328 B1	2/2001	Ho	7,019,420 B2	3/2006	Kogan et al.
6,193,045 B1	2/2001	Ishida et al.	7,019,670 B2	3/2006	Bahar
6,195,015 B1	2/2001	Jacobs et al.	7,023,360 B2	4/2006	Staniszewski
D439,591 S	3/2001	Reidt et al.	7,027,773 B1	4/2006	McMillin
RE37,193 E	5/2001	Ward, II et al.	7,027,808 B2	4/2006	Wesby
6,227,343 B1	5/2001	Neathway et al.	7,028,888 B2	4/2006	Laskowski
6,229,455 B1	5/2001	Yost et al.	7,029,167 B1	4/2006	Mitschele
6,230,868 B1	5/2001	Tuxen et al.	D520,883 S *	5/2006	Hillard ..... D10/50
6,243,028 B1	6/2001	Krygler et al.	7,040,534 B2	5/2006	Turocy et al.
6,243,029 B1	6/2001	Tomer	7,043,123 B2	5/2006	Goldberg
6,275,169 B1	8/2001	Krygler et al.	D524,834 S	7/2006	Dozier et al.
6,275,170 B1	8/2001	Jacobs et al.	7,071,839 B2	7/2006	Patel et al.
D447,714 S	9/2001	Cappiello	7,104,447 B1	9/2006	Lopez et al.
D448,910 S	10/2001	Kit et al.	7,114,651 B2	10/2006	Hjelmvik
D449,010 S	10/2001	Petrucelli	D535,268 S	1/2007	Holger
6,309,098 B1	10/2001	Wong	7,181,426 B2	2/2007	Dutta
D450,253 S	11/2001	Marguet	7,183,999 B2	2/2007	Matthews et al.
6,312,152 B2	11/2001	Dee et al.	D538,505 S	3/2007	Kang et al.
6,321,201 B1	11/2001	Dahl	7,188,070 B2	3/2007	Dar et al.
RE37,531 E	1/2002	Chaco et al.	D543,588 S	5/2007	Herbert et al.
6,340,935 B1	1/2002	Hall	7,222,031 B2	5/2007	Heatley
6,344,806 B1	2/2002	Katz	7,222,782 B2	5/2007	Lute, Jr. et al.
D454,421 S	3/2002	Jeon et al.	7,230,545 B2	6/2007	Nath et al.
D454,807 S	3/2002	Cappiello	7,237,176 B2	6/2007	Briggs et al.
6,354,425 B1	3/2002	Tuxen et al.	D546,365 S	7/2007	Jost et al.
6,366,220 B1	4/2002	Elliott	7,237,716 B2	7/2007	Silberberg
6,373,401 B2	4/2002	Ho	7,253,747 B2	8/2007	Noguchi
6,373,422 B1	4/2002	Mostafa	7,262,737 B2	8/2007	Zarnowitz et al.
6,373,442 B1	4/2002	Thomas et al.	7,284,692 B1	10/2007	Douglass
6,380,851 B1	4/2002	Gilbert et al.	D559,792 S *	1/2008	Gemme ..... D13/162
D460,005 S	7/2002	Jacquet	7,319,974 B1	1/2008	Brusseaux
D461,728 S	8/2002	Tuxen et al.	7,321,317 B2	1/2008	Nath et al.
6,456,491 B1	9/2002	Flannery et al.	7,330,131 B2	2/2008	Zanotti et al.
D463,749 S	10/2002	Petrucelli	D570,920 S	6/2008	Choi
6,457,586 B2	10/2002	Yasuda et al.	7,382,238 B2	6/2008	Kavaler
6,467,602 B2	10/2002	Bench et al.	7,382,281 B2	6/2008	Kavaler
6,477,875 B2	11/2002	Field et al.	7,382,282 B2	6/2008	Kavaler
D467,954 S	12/2002	Suzuki et al.	7,385,484 B2	6/2008	Nath et al.
6,493,676 B1	12/2002	Levy	7,388,349 B2	6/2008	Elder et al.
6,505,774 B1	1/2003	Fulcher et al.	7,388,517 B2	6/2008	Kavaler
D471,238 S	3/2003	Showers et al.	7,391,339 B2	6/2008	Howard et al.



# US D863,988 S

7,393,134 B2	7/2008	Mitschele		D683,795 S	6/2013	Randall	
D575,168 S	8/2008	King et al.		D684,745 S	6/2013	Reuter et al.	
7,419,091 B1	9/2008	Scanlon		D684,870 S	6/2013	Jones et al.	
7,427,931 B1	9/2008	Kavaler et al.		8,479,909 B2	7/2013	King et al.	
D579,795 S	11/2008	Martinez et al.		8,487,754 B2	7/2013	Mitschele	
7,445,144 B2	11/2008	Schlabach et al.		D687,809 S	8/2013	Bergmann et al.	
D582,125 S	12/2008	Kang et al.		8,513,832 B2	8/2013	Hunter et al.	
D587,141 S	2/2009	King et al.		D689,554 S	9/2013	Echanove Hernandez	
D591,181 S *	4/2009	Kanbar .....	D10/40	D690,771 S	10/2013	Randall	
7,533,802 B1	5/2009	McGinley et al.		D691,165 S	10/2013	Attoma	
7,554,460 B2	6/2009	Verkleeren et al.		8,566,159 B2	10/2013	King et al.	
D596,374 S	7/2009	Kang et al.		D692,784 S	11/2013	Anderssen et al.	
7,558,564 B2	7/2009	Wesby		D693,983 S	11/2013	Budde et al.	
7,579,964 B2	8/2009	Nath et al.		8,589,216 B2	11/2013	Yu et al.	
7,594,235 B2	9/2009	Moreau		8,590,687 B2	11/2013	King et al.	
D602,225 S	10/2009	Lute et al.		8,595,054 B2	11/2013	King et al.	
D604,189 S *	11/2009	Leer .....	D10/123	D696,484 S	12/2013	Lee et al.	
7,617,120 B2	11/2009	Derasmo et al.		D696,485 S	12/2013	Lee et al.	
D605,145 S	12/2009	Kellar		8,621,245 B2	12/2013	Shearer et al.	
7,624,919 B2	12/2009	Meek et al.		8,631,921 B2	1/2014	Jones et al.	
7,632,419 B1	12/2009	Grimbergen et al.		8,662,279 B2	3/2014	Jones et al.	
7,671,803 B2	3/2010	Neill et al.		8,666,801 B2	3/2014	Cho	
7,679,526 B2	3/2010	Mardirossian		D702,913 S	4/2014	Budde et al.	
7,699,224 B2	4/2010	Molé		D702,914 S	4/2014	Budde et al.	
D615,274 S	5/2010	Kim et al.		8,684,158 B2	4/2014	Jones et al.	
D617,799 S	6/2010	Odhe et al.		D705,090 S	5/2014	MacKay et al.	
7,739,000 B2	6/2010	Kavaler		8,727,207 B1	5/2014	Church et al.	
D620,050 S	7/2010	Hultzman et al.		D707,140 S	6/2014	King et al.	
7,748,620 B2	7/2010	Gomez et al.		D707,141 S	6/2014	King et al.	
7,772,720 B2	8/2010	McGee et al.		D707,142 S	6/2014	King et al.	
7,780,072 B1	8/2010	Lute et al.		D707,574 S	6/2014	Ku et al.	
7,783,530 B2	8/2010	Slemmer et al.		8,749,403 B2	6/2014	King et al.	
D624,274 S	9/2010	Pendleton		8,770,371 B2	7/2014	MacKay et al.	
D625,305 S	10/2010	Bleck et al.		8,770,372 B2	7/2014	Dobbins et al.	
7,806,248 B2	10/2010	Hunter et al.		8,807,317 B2	8/2014	MacKay et al.	
D627,814 S	11/2010	Tzeng et al.		D714,165 S	9/2014	Salama	
7,825,826 B2	11/2010	Welch		D716,156 S	10/2014	Jones et al.	
7,854,310 B2	12/2010	King et al.		D716,157 S	10/2014	MacKay et al.	
7,855,661 B2	12/2010	Ponert		D716,515 S	10/2014	Cha et al.	
7,874,482 B2	1/2011	Mitschele		8,862,494 B2	10/2014	King et al.	
D632,740 S	2/2011	Adeline		D716,671 S	11/2014	Jones et al.	
D634,417 S	3/2011	Abbondanzio et al.		8,884,785 B2	11/2014	Groft et al.	
7,899,583 B2	3/2011	Mendelson		D722,740 S	2/2015	Budde et al.	
7,908,149 B2	3/2011	Dar et al.		D724,290 S	3/2015	Cha et al.	
7,933,841 B2	4/2011	Schmeyer et al.		D724,811 S	3/2015	Reitinger	
D645,223 S	9/2011	Bleck et al.		D724,812 S	3/2015	Cha et al.	
8,035,533 B2	10/2011	Kavaler		D728,190 S	4/2015	Sheley	
8,044,139 B2	10/2011	Youn et al.		9,002,723 B2	4/2015	King et al.	
D652,329 S	1/2012	MacKay et al.		9,047,712 B2	6/2015	King et al.	
D652,872 S	1/2012	Mougin et al.		D733,585 S	7/2015	Jones et al.	
D653,014 S	1/2012	Rohan et al.		D735,437 S	7/2015	Randall	
D653,420 S	1/2012	Rohan et al.		D735,438 S	7/2015	Randall	
D653,421 S	1/2012	Rohan et al.		D735,439 S	7/2015	Randall	
D653,424 S	1/2012	Rohan et al.		D735,440 S	7/2015	Randall	
D654,816 S	2/2012	MacKay et al.		D735,963 S	8/2015	Randall	
RE43,245 E	3/2012	Ouimet et al.		D735,964 S	8/2015	Randall	
D655,263 S	3/2012	Tsai		D735,965 S	8/2015	Randall	
D656,046 S	3/2012	MacKay et al.		D739,637 S	9/2015	Randall	
8,138,950 B1	3/2012	Leung		D739,638 S	9/2015	Randall	
8,144,034 B2	3/2012	Kavaler		D739,639 S	9/2015	Randall	
D659,557 S	5/2012	Jones et al.		9,123,184 B2	9/2015	Jones et al.	
8,184,019 B2	5/2012	Chauvin et al.		9,127,964 B2	9/2015	Schwarz et al.	
D661,603 S	6/2012	MacKay et al.		9,147,345 B2	9/2015	Agrait et al.	
8,193,540 B2	6/2012	Huang et al.		D742,090 S	10/2015	Randall	
8,232,894 B2	7/2012	Weiss et al.		9,159,080 B2	10/2015	Fiorucci et al.	
8,264,401 B1	9/2012	Kavaler		D742,371 S *	11/2015	Bopp .....	D14/336
8,279,107 B2	10/2012	Krstanovic et al.		9,196,097 B2	11/2015	Jones et al.	
D672,525 S	12/2012	Lee et al.		D746,015 S	12/2015	King et al.	
D674,985 S	1/2013	Lee		D746,704 S	1/2016	Jones et al.	
D677,035 S	2/2013	Lee et al.		D748,364 S	1/2016	King et al.	
D677,714 S	3/2013	Helgesson et al.		D748,888 S	2/2016	King et al.	
8,395,532 B2	3/2013	Chauvin et al.		D749,000 S	2/2016	King et al.	
8,402,281 B2	3/2013	Dahl		9,269,216 B2	2/2016	Keilwert	
D680,156 S	4/2013	Hernandez et al.		D750,513 S	3/2016	King et al.	
8,417,715 B1	4/2013	Bruckhaus et al.		D750,978 S	3/2016	van Slooten et al.	
D681,717 S	5/2013	Helgesson et al.		D752,552 S	3/2016	D'Ascanio et al.	
8,450,627 B2	5/2013	Mittleman et al.		D755,649 S	5/2016	King et al.	
D683,779 S	6/2013	Uemachi et al.		D755,650 S	5/2016	King et al.	
D683,794 S	6/2013	Randall		D756,807 S	5/2016	King et al.	



# US D863,988 S

D756,808 S	5/2016	King et al.	2005/0029340 A1	2/2005	Ferraro
D762,040 S	7/2016	King et al.	2005/0035740 A1	2/2005	Elder et al.
9,391,474 B2	7/2016	Hunter et al.	2005/0040951 A1	2/2005	Zalewski et al.
9,424,691 B2	8/2016	King et al.	2005/0068201 A1	3/2005	Wulff et al.
9,437,050 B2	9/2016	Hilton et al.	2005/0099320 A1	5/2005	Nath et al.
9,489,776 B2	11/2016	Keller et al.	2005/0102075 A1	5/2005	Dar et al.
9,494,922 B2	11/2016	MacKay et al.	2005/0155839 A1	7/2005	Banks et al.
9,508,198 B1	11/2016	King et al.	2005/0168352 A1	8/2005	Tomer
9,524,498 B2	12/2016	Jones et al.	2005/0178639 A1	8/2005	Brumfield et al.
9,536,235 B2	1/2017	Jones et al.	2005/0192911 A1	9/2005	Mattern
9,536,370 B2	1/2017	Jones et al.	2005/0216354 A1	9/2005	Barn et al.
D779,771 S	2/2017	King	2005/0226201 A1	10/2005	McMillin
D779,772 S	2/2017	King	2006/0020487 A1	1/2006	Spittel et al.
D779,773 S	2/2017	King	2006/0021848 A1	2/2006	Smith
D779,774 S	2/2017	King	2006/0114159 A1	6/2006	Yoshikawa et al.
D781,024 S	3/2017	King	2006/0116972 A1	6/2006	Wong
9,661,403 B2	5/2017	King	2006/0136131 A1	6/2006	Dugan et al.
9,685,027 B2	6/2017	King et al.	2006/0149684 A1	7/2006	Matsuura et al.
9,692,256 B2	6/2017	Hunter et al.	2006/0152349 A1	7/2006	Ratnakar
9,697,506 B2	7/2017	Jones et al.	2006/0152385 A1	7/2006	Mandy
D795,523 S	8/2017	King et al.	2006/0173733 A1	8/2006	Fancher
9,728,085 B2	8/2017	Schwarz et al.	2006/0255119 A1	11/2006	Marchasin et al.
9,746,954 B2	8/2017	Wyatt et al.	2006/0259354 A1	11/2006	Yan
9,749,823 B2	8/2017	Rowe et al.	2006/0267799 A1	11/2006	Mendelson
9,773,351 B2	9/2017	Hudson et al.	2007/0011700 A1	1/2007	Johnson
9,805,518 B2	10/2017	King et al.	2007/0016539 A1	1/2007	Groft et al.
D802,874 S	11/2017	King et al.	2007/0017265 A1	1/2007	Andersson
D802,875 S	11/2017	King et al.	2007/0029825 A1	2/2007	Franklin et al.
D802,876 S	11/2017	King et al.	2007/0040449 A1	2/2007	Spurlin et al.
D802,877 S	11/2017	King et al.	2007/0044523 A1	3/2007	Davis
D802,878 S	11/2017	King et al.	2007/0046651 A1	3/2007	Sinclair et al.
9,842,346 B2	12/2017	Fiorucci et al.	2007/0061155 A1	3/2007	Ji et al.
D813,059 S	3/2018	MacKay et al.	2007/0074702 A1	4/2007	Nakamura et al.
10,089,814 B2	10/2018	King et al.	2007/0094153 A1	4/2007	Ferraro
2001/0012241 A1	8/2001	Dee et al.	2007/0114849 A1	5/2007	Falik et al.
2001/0047278 A1	11/2001	Brookner et al.	2007/0119682 A1	5/2007	Banks et al.
2001/0051531 A1	12/2001	Singhal et al.	2007/0129974 A1	6/2007	Chen et al.
2002/0008639 A1	1/2002	Dee	2007/0136128 A1	6/2007	Janacek et al.
2002/0030606 A1	3/2002	Chauvin et al.	2007/0171069 A1	7/2007	Allen
2002/0062172 A1	5/2002	Bench et al.	2007/0184852 A1	8/2007	Johnson et al.
2002/0074344 A1	6/2002	Long et al.	2007/0189907 A1	8/2007	Kunihiro et al.
2002/0080013 A1	6/2002	Anderson, III et al.	2007/0208499 A1	9/2007	Kwong
2002/0111768 A1	8/2002	Ghorayeb et al.	2007/0210935 A1	9/2007	Yost
2002/0134645 A1	9/2002	Alexander et al.	2007/0276724 A1	11/2007	Catt
2003/0010821 A1	1/2003	Sliberberg	2007/0285281 A1	12/2007	Welch
2003/0017904 A1	1/2003	Lee	2008/0052254 A1	2/2008	Al Amri
2003/0092387 A1	5/2003	Hjelmvik	2008/0071611 A1	3/2008	Lovett
2003/0112151 A1	6/2003	Chauvin et al.	2008/0093454 A1	4/2008	Yamazaki et al.
2003/0112597 A1	6/2003	Smith	2008/0147268 A1	6/2008	Fuller
2003/0117904 A1	6/2003	Lank et al.	2008/0158010 A1	7/2008	Nath et al.
2003/0121754 A1	7/2003	King	2008/0165030 A1	7/2008	Kuo et al.
2003/0128010 A1	7/2003	Hsu	2008/0208680 A1	8/2008	Cho
2003/0128136 A1	7/2003	Spier et al.	2008/0218383 A1	9/2008	Franklin et al.
2003/0132840 A1	7/2003	Bahar	2008/0238715 A1	10/2008	Cheng et al.
2003/0135407 A1	7/2003	Reinhardt et al.	2008/0245638 A1	10/2008	King et al.
2003/0140531 A1	7/2003	Pippins	2008/0257965 A1	10/2008	Klein et al.
2003/0144905 A1	7/2003	Smith	2008/0265019 A1	10/2008	Artino et al.
2003/0144972 A1	7/2003	Cordery et al.	2008/0266138 A1	10/2008	Ponert
2003/0169183 A1	9/2003	Korepanov et al.	2008/0270227 A1	10/2008	Al Amri
2003/0179107 A1	9/2003	Kibria et al.	2008/0277468 A1	11/2008	Mitschele
2003/0220835 A1	11/2003	Barnes, Jr.	2008/0289030 A1	11/2008	Poplett
2003/0222792 A1	12/2003	Berman et al.	2008/0291054 A1	11/2008	Groft
2003/0234888 A1	12/2003	Hong et al.	2008/0296365 A1	12/2008	Schliebe
2004/0011099 A1	1/2004	Andersson	2008/0319837 A1	12/2008	Mitschele
2004/0016796 A1	1/2004	Hanna et al.	2009/0026842 A1	1/2009	Hunter et al.
2004/0039632 A1	2/2004	Han et al.	2009/0032368 A1	2/2009	Hunter et al.
2004/0040028 A1	2/2004	Moreau	2009/0049875 A1	2/2009	Buhl et al.
2004/0068434 A1	4/2004	Kanekon	2009/0057398 A1	3/2009	Douglass et al.
2004/0084278 A1	5/2004	Harris et al.	2009/0083149 A1	3/2009	Maekawa et al.
2004/0094619 A1	5/2004	Silberberg	2009/0095593 A1	4/2009	King et al.
2004/0160905 A1	8/2004	Bernier et al.	2009/0099761 A1	4/2009	Davis et al.
2004/0181496 A1	9/2004	Odinotski et al.	2009/0102726 A1	4/2009	Imano et al.
2004/0232878 A1	11/2004	Couch et al.	2009/0109062 A1	4/2009	An
2004/0243526 A1	12/2004	Krygler et al.	2009/0137204 A1	5/2009	Chang
2004/0254840 A1	12/2004	Slemmer et al.	2009/0159674 A1	6/2009	King et al.
2004/0254900 A1	12/2004	Reinhard	2009/0183966 A1	7/2009	King et al.
2004/0262379 A1	12/2004	Gomes	2009/0192950 A1	7/2009	King et al.
2004/0263117 A1	12/2004	Kogan et al.	2009/0199966 A1	9/2009	Coleman et al.
2004/0264302 A1	12/2004	Ward, II	2009/0254438 A1	10/2009	Johnson, Jr. et al.







# US D863,988 S

Page 7

CA	2870544	5/2012	EP	34621830001	11/2016
CA	2870592	5/2012	FR	2837583 A1	9/2003
CA	2773250	9/2012	GB	1237579	12/1967
CA	D155382	5/2015	GB	1283555	7/1972
CA	D155383	5/2015	GB	1431862	4/1976
CA	D155391	5/2015	GB	2077475	12/1981
CA	D156990	5/2015	GB	2155228	9/1985
CA	D156991	5/2015	GB	2284919	6/1995
CA	D156992	5/2015	GB	2298510	4/1996
CA	D156993	5/2015	IL	149880	6/2007
CA	D156994	5/2015	JP	0261711	3/1900
CA	D156995	5/2015	JP	S5259000	5/1977
CA	D157067	5/2015	JP	S58121494	7/1983
CA	D157068	5/2015	JP	S6437661	2/1989
CA	D157069	5/2015	JP	1165494	6/1989
CA	D161049	10/2015	JP	1303026	12/1989
CA	2622164	11/2015	JP	H0261711	3/1990
CA	2773132	11/2015	JP	H0487533	3/1992
CA	D160598	2/2016	JP	2000286936	10/2000
CA	D163369	2/2016	JP	2002074430	3/2002
CA	D163370	2/2016	JP	2002099640	4/2002
CA	2900177	11/2017	JP	2002528799	9/2002
CA	2908793	11/2017	JP	2003527701	9/2003
CA	2932667	11/2017	JP	2005242888	9/2005
CA	D171649	11/2017	JP	2005267430	9/2005
CA	D171650	11/2017	JP	2007052773	3/2007
CA	D171651	11/2017	JP	2008305998	12/2008
CA	D171652	11/2017	JP	201160206	10/2012
CA	D171653	11/2017	KR	20000016671	3/2000
CA	D171654	11/2017	KR	20010028481	4/2001
CA	2650195	1/2018	KR	20050038077	4/2005
CN	1037604	11/1989	KR	20080026282	3/2008
CN	2395344	9/2000	KR	20080041730	5/2008
CN	2470887	1/2002	MX	2008007047	8/2008
CN	2544352	4/2003	NZ	530606	11/2006
CN	1549990	11/2004	WO	198100778 A1	3/1981
CN	2022-17169	5/2012	WO	199520204 A1	7/1995
DE	2804085 A1	8/1978	WO	199611453 A1	4/1996
DE	2750193 C2	10/1982	WO	199712345 A1	4/1997
DE	102005041290 A1	3/2007	WO	199737328 A1	10/1997
EM	004415164-0001	10/2017	WO	199804080 A1	1/1998
EM	004415164-0002	10/2017	WO	200059201 A1	10/2000
EM	004415164-0003	10/2017	WO	2001024127	4/2001
EM	004415164-0004	10/2017	WO	200169541 A1	9/2001
EM	004415164-0005	10/2017	WO	200180157 A1	10/2001
EM	004415164-0006	10/2017	WO	2002063570 A2	8/2002
EP	265328	4/1988	WO	03/005324	1/2003
EP	329129 A3	8/1989	WO	03005324 A1	1/2003
EP	933288	8/1999	WO	2003009238 A1	1/2003
EP	980055 A1	2/2000	WO	2004012352 A1	2/2004
EP	1128350 B1	8/2001	WO	2005/027035	3/2005
EP	1327962 A2	7/2003	WO	2005031494 A2	4/2005
EP	1376491 A1	1/2004	WO	2006076773 A1	7/2006
EP	1748393 A1	1/2007	WO	2006095352 A2	9/2006
EP	1898360 A1	12/2008	WO	2007063530 A2	6/2007
EP	2215605 B1	8/2012	WO	2009009854 A1	1/2009
EP	2416206001	3/2014	WO	2009154787 A2	12/2009
EP	24162060002	3/2014	WO	2010008610 A2	1/2010
EP	24162060003	3/2014	WO	2010071974 A1	7/2010
EP	2479352001	10/2014	WO	2011029061 A2	3/2011
EP	2479352002	10/2014	WO	2011029062 A2	3/2011
EP	2479352003	10/2014	WO	2012015453 A1	2/2012
EP	2479360001	10/2014	WO	2012092609 A2	7/2012
EP	2479360002	10/2014	WO	2012154902 A1	11/2012
EP	2479360003	10/2014	WO	2012154913 A2	11/2012
EP	24794280001	10/2014	WO	2013016453 A2	1/2013
EP	24794280002	10/2014	WO	2013049418 A2	4/2013
EP	24794280003	10/2014	WO	2014014494 A1	1/2014
EP	34621830002	11/2014	WO	2017024396	2/2017
EP	34621830003	11/2014	WO	2017024397	2/2017
EP	34621830004	11/2014			
EP	34621830005	11/2014			
EP	34621830006	11/2014			
EP	30767020001	4/2016			
EP	30767020002	4/2016			
EP	30767020003	4/2016			
EP	30767020004	4/2016			
EP	30767020005	4/2016			
EP	30767020006	4/2016			

## OTHER PUBLICATIONS

US 8,636,133 B2, 01/2014, MacKay et al. (withdrawn)  
 Office Action issued in U.S. Appl. No. 08/418,018 dated Jan. 17, 1997.  
 Office Action issued in U.S. Appl. No. 08/418,018 dated Jul. 25, 1997.



- Office Action issued in U.S. Appl. No. 13/141,983 dated Jun. 14, 2013.
- Office Action issued in U.S. Appl. No. 13/141,983 dated Oct. 22, 2013.
- Office Action issued in U.S. Appl. No. 13/529,914 dated Jun. 21, 2013.
- Office Action issued in U.S. Appl. No. 13/529,914 dated Sep. 27, 2013.
- Office Action issued in U.S. Appl. No. 14/094,382 dated Aug. 5, 2014.
- Office Action issued in U.S. Appl. No. 14/094,382 dated Dec. 26, 2014.
- Office Action issued in U.S. Appl. No. 14/094,382 dated Mar. 24, 2015.
- Design U.S. Appl. No. 29/466,267, filed Sep. 5, 2013 (19 pgs).
- Design U.S. Appl. No. 29/477,196, filed Dec. 19, 2013 (21 pgs).
- Design U.S. Appl. No. 29/466,268, filed Sep. 5, 2013 (19 pgs).
- Design U.S. Appl. No. 29/466,269, filed Sep. 5, 2013 (19 pgs).
- Design U.S. Appl. No. 29/477,176, filed Dec. 19, 2013 (24 pgs).
- Design U.S. Appl. No. 29/477,339, filed Dec. 20, 2013 (21 pgs).
- Design U.S. Appl. No. 29/477,195, filed Dec. 19, 2013 (21 pgs).
- Design U.S. Appl. No. 29/477,402, filed Dec. 20, 2013 (24 pgs).
- Design U.S. Appl. No. 29/477,405, filed Dec. 20, 2013 (24 pgs).
- Design U.S. Appl. No. 29/520,918, filed Mar. 18, 2015 (23 pgs).
- “CWT Max Single/Dual Space Meter—Technical Data,” Cale America, May 18, 2016 (4 pgs).
- Final written decision of U.S. Pat. No. 7,854,310, Case No. IPR2016-00067, dated Mar. 27, 2017 (19 pgs).
- “Max Dual Space Meter”, Cale America, Jun. 25, 2015.
- Notice of Allowance issued in U.S. Appl. No. 15/220,228 dated Aug. 4, 2017.
- Notice of Allowance issued in U.S. Appl. No. 14/864,170 dated Aug. 3, 2017.
- Official Action issued in U.S. Appl. No. 15/160,646 dated Apr. 14, 2017.
- Official Action issued in U.S. Appl. No. 15/802,298 dated Apr. 2, 2017.
- U.S. Appl. No. 15/474,773, filed Mar. 30, 2017 (U.S. Grant 9,805,518 dated Oct. 31, 2017).
- Photo Violation Technologies Corp. Press Releases, Jul. 18, 2005-Jan. 17, 2006 (9 pages).
- Photo Violation Technologies Corp., <https://web.archive.org/web/20131118213440/http://photoviolationmeter.com>, Nov. 18, 2013 (8 pages).
- Kienzle, meter photograph, pre-Mar. 2011 (1 pg).
- Photo Violation Technologies Corp., <https://web.archive.org/web/2004041225217/http://photoviolationmeter.com>, Apr. 1, 2004 (5 pages).
- PhotoViolationMeter Pamphlet, Jan. 18, 2006 (2 pgs).
- The Patented PhotoViolationMeter Solution book view, Mar. 28, 2006 (12 pgs).
- The PhotoViolationMeter Case Study, Photo Violation Technologies Corp., Dec. 15, 2005 (4 pages).
- YouTube video, “The PhotoViolationMeter TM” [https://www.youtube.com/watch?v=YEFuebnwn\\_Y](https://www.youtube.com/watch?v=YEFuebnwn_Y); Dec. 15, 2006.
- Duncan Solutions, Eagle CK Single-Space Meter Mechanism Brochure, believed to be commercially available before May 10, 2010 (2 pgs).
- Duncan Solutions, Eagle 2100 Single-Space Meter Mechanism Brochure, believed to be commercially available before May 10, 2010 (2 pgs).
- Duncan Solutions, Parking and Enforcement From Start to Finish, Intermec CN50, available at <http://www.duncansolutions.com/intermecCN50.html>, believed to be commercially available before May 10, 2010 (2 pgs).
- Duncan Solutions, Parking and Enforcement from Start to Finish, Motorola MC75, available at <http://www.duncansolutions.com/motorolamc75.html>, believed to be commercially available before May 10, 2010 (1 pg).
- Duncan Solutions, VM/VS Pay-by-Space Multi-Space Meter Brochure, available at <http://www.duncansolutions.com/pdfs/vm.pdf>, believed to be commercially available before May 10, 2010 (2 pgs).
- Duncan Solutions, AutoCITE X3 Handheld Computer Brochure, available at <http://www.duncansolutions.com/pdfs/x3.pdf>, believed to be commercially available before May 10, 2010 (2 pgs).
- AutoISSUE, Automated Citation Issuance System Brochure, dated prior to Jun. 15, 2015, Cardinal Tracking Inc. (2 pgs).
- Duncan Solutions, AutoTRAX Meter Management System Brochure, believed to be commercially available before May 10, 2010 (2 pgs).
- Anonymous, “Happy Anniversary, First Parking Meter Installed Jul. 16, 1935,” The Expired Meter News, Views, Information on Driving in Chicago, Jul. 16, 2009 (10 pgs).
- “Parking Meter Patented 72 Years Ago Today”, the expiredmeter.com, May 24, 2010(Exhibit 1019) (6 pgs).
- POM Parking Meters, Webpage, Oct. 20, 2015 (Exhibit 1038) (4 pgs).
- Patent Owner’s Preliminary Response (IPR2016-01144) dated Sep. 8, 2016 (58 pgs).
- Patent Owner’s Preliminary Response (IPR2016-01145) dated Sep. 8, 2016 (52 pgs).
- Patent Owner Response (IPR2016-00067) dated Jul. 12, 2016 (32 pgs).
- IPS Group Inc. Preliminary Response to Review of U.S. Pat. No. 7,854,310 (IPR2016-00067) dated Jan. 29, 2016 (38 pgs).
- Scheduling Order re: U.S. Pat. No. 7,854,310 (IPR2016-00067) dated Mar. 30, 2016 (9 pgs).
- IPS Group Inc. Preliminary Response to Review of U.S. Pat. No. 7,854,310 (IPR2016-00068) dated Feb. 1, 2016 (48 pgs).
- IPS Group Inc. Preliminary Response to Review of U.S. Pat. No. 8,595,054 (IPR2016-00069) dated Feb. 1, 2016 (48 pgs).
- IPS Group Inc. Preliminary Response to Review of U.S. Pat. No. 8,595,054 (IPR2016-00070) dated Feb. 1, 2016 (49 pgs).
- IPS Group Inc. Mandatory Notice re: U.S. Pat. No. 7,854,310 (IPR2016-00067) dated Nov. 6, 2015 (4 pgs).
- Petition for Inter Partes Review of U.S. Pat. No. 7,854,310, Jun. 3, 2016 (70 pgs).
- Petition for Inter Partes Review of U.S. Pat. No. 8,595,054, Jun. 3, 2016 (79 pgs).
- Petition for Inter Partes Review of U.S. Pat. No. 7,854,310, Oct. 22, 2015 (66 pgs).
- Petition for Inter Partes Review of U.S. Pat. No. 8,595,054, Oct. 22, 2015 (67 pgs).
- Petition for Inter Partes Review of U.S. Pat. No. 8,595,054, Oct. 22, 2015 (61 pgs).
- Decision Denying Institution of Inter Partes Review dated Mar. 30, 2016 of U.S. Pat. No. 7,854,310 (IPR2016-00068) (13 pgs).
- Decision Denying Inter Partes Review dated Apr. 1, 2016 of U.S. Pat. No. 8,595,054 (IPR2016-00070) (17 pgs).
- Decision Denying Inter Partes Review dated Apr. 1, 2016 of U.S. Pat. No. 8,595,054 (IPR2016-00069) (13 pgs).
- Decision Granting Institution of Inter Partes Review dated Mar. 30, 2016 of U.S. Pat. No. 7,854,310 (IPR2016-00067) (19 pgs).
- Declaration of Todd Magness in Support of Petition for Inter Partes Review of U.S. Pat. No. 7,854,310 (Exhibit 1003) (70 pgs).
- Declaration of Anderson Moore in Support of Petition for Inter Partes Review of U.S. Pat. No. 8,595,054 (Exhibit 1004) (19 pgs).
- Digital Payment Technologies—LUKE brochure, dated prior to Jun. 15, 2015 (4 pages).
- Exhibit 2002—Rochester Institute of Technology’s Digital Media Library (RIT DML) “About” section.
- Exhibit 2003—The United States Conference of Mayors, “Los Angeles, New Orleans, Elizabeth, NJ and Long Beach, CA Honored for Excellence & Innovation in Public-Private Partnerships” dated Jan. 20, 2012 (2 pgs).
- Exhibit 2004—City of Los Angeles Inter-Departmental Correspondence, “Card & Coin Parking Meter Lease” dated Nov. 29, 2010 (4 pgs).
- Exhibit 2005—City of Culver City, California Agenda Item Report, “Approval of a Contract with IPS Group Inc., for the Sole-Source Purchase of 1,000 Parking Meters” dated Dec. 11, 2012 (3 pgs).
- Exhibit 2006—City of San Luis Obispo City Manager Report, “Award of Credit Card Meters and Service Contract, RFP Specification No. 91137” dated Jan. 20, 2012 (5 pgs).



- Exhibit 2007—City of Walnut Creek Transportation Commission Staff Report, “Alternate Downtown Parking Pay Technology” dated Oct. 20, 2011 (4 pgs).
- Exhibit 2008—“How M2M Maximizes Denver’s Revenue” dated Oct. 2011 (4 pgs).
- Exhibit 2009—Somerville, MA “T&P Introduces User-Friendly Parking Meters & Service Upgrades with Electronic Meter Pilot” dated Apr. 19, 2011 (2 pgs).
- Duncan Solutions—AutoCITE brochure, 2013, (2pgs).
- Transcript & Screenshot of Photo Violation Technologies Corp.—“ParkCardMeter™ System,” (Jun. 2015) (6 pages).
- Milwaukee Journal Sentinel, “Lovely VISA, meter maid: Use credit card to park”, Jun. 13, 2005 (Exhibit 1016) (1 pg).
- Barefoot, Darren—“There’ll be lies, there’ll be tears, a jury of your peers”, DarrenBarefoot.com, Dec. 31, 2005 (39 pgs).
- Remedeois et al., “NFC Technologies in Mobile Phones and Emerging Applications,” IFIP International Federation for Information Processing, vol. 220, 2006 (10 pgs).
- “Smart Cards and Parking”, Smart Card Alliance, Jan. 2006 (Exhibit 1034) (52 pgs).
- Meter Solutions, Single-Space Meters brochure, downloaded from [www.duncansolutions.com](http://www.duncansolutions.com) website (2 pgs).
- “The Originators of Metered Parking”, Series II APM-E Mechanism Service Manual, POM Incorporated, May 23, 2006 (22 pgs).
- Micrel Application Note 51 Frequency Hopping Techniques, Rev. 1.0, Jun. 2006 (8 pgs).
- Digital Payment Technologies, screenshot of LUKE website <https://web.archive.org/web/20061025094839/http://www.digitalpaytech.com/luke.html> (5 pgs).
- Burden et al., “Near Field Communications (NFC) in Public Transport”, Digital Identity Forum, 2006 (18 pgs).
- “Changing the Way the World Pays for On-Street Parking”, Bridge IR Group Inc., Research Report, Dec. 6, 2006 (23 pgs).
- McCullagh, Declan—“Hackers: We can bypass San Francisco e-parking meters”, downloaded from <http://news.cnet.com>, Jul. 30, 2009 (2 pgs).
- Flatlet, J.—“In San Francisco, hackers park for free”, [www.engadget.com](http://www.engadget.com), Jul. 31, 2009 (1 pg).
- Howland, Sarah—“How M2M Maximizes Denver’s Revenue”, [FieldTechnologiesOnline.com](http://FieldTechnologiesOnline.com), Oct. 2011 (4 pgs).
- The United States Conference of Mayors Press Release, “The U.S. Conference of Mayors Presents ‘Best-Practice Awards’”, Jan. 20, 2012 (3 pgs).
- Duncan Solutions “Single-Space Meters” Brochure, 2006, (2 pgs).
- StreetSmart Technology, LLC, “Technical Specifications and System Features of the StreetSmart Solution” brochure, May 2011 (8 pgs).
- POM APM Solar Powered Meter Ads, Apr. 28, 2010 (5 pgs).
- POM APM Photographs, Apr. 29, 2010 (33 photos).
- Parking Meter Proposal for Ji-Nan City (English), May 2005 (41 pgs).
- DAT Self-Service System Limited Brochure, Version 1.0 , 2005 (39 pgs).
- Fidelman, C.—“Times running out for parking meters at present locations: \$270,000 cited as replacement cost. City employees who ticket motorists find electronic meters unsuitable”, *The Montreal Gazette*, Nov. 12, 2002 (2 pgs).
- Digital Payment Technologies, “Digital Payment Technologies and PXT Payments Forge Partnership to Bring Cities Smart Parking Meters and Merchant Loyalty Debit Cards”, [www.digitalpaytech.com](http://www.digitalpaytech.com), Apr. 27, 2010 (2 pgs).
- Digital Payment Technologies, Request for Proposal #B09030—Parking Pay Stations, City of Dover, New Hampshire, Oct. 22, 2008—Part 1 (110 pgs).
- Digital Payment Technologies, Request for Proposal #B09030—Parking Pay Stations, City of Dover, New Hampshire, Oct. 22, 2008—Part 2 (160 pgs).
- Digital Payment Technologies, Request for Proposal for Multi-Space Parking Meters, City of Fort Lauderdale, Jan. 13, 2010 (89 pgs).
- “Digital Payment Technologies Launches LUKE II Multi-Space Parking Pay Station”, Digital Payment Technologies, May 16, 2011 (3 pgs).
- Digital Payment Technologies, “Credit Card Processing with LUKE and SHELBY” Dec. 2007 (15 pgs).
- Intrinsyc Software International, “Intrinsyc and Digital Pioneer Partner on Development of New Leading Edge Parking Terminal Solution”, Aug. 14, 2003 (2 pgs).
- Digital Payment Technologies, Sierra Wireless Case Study, Dec. 7, 2009 (2 pgs).
- Duncan Solutions, Pay-by-Space Parking Meters Customer Support Manual, Jul. 2006 (216 pgs).
- Duncan VM Solar-Power meter photograph, pre-Mar. 2011 (1 pg).
- Duncan VS—“The World’s Most Advanced Pay-by-Space Meter Armored in Stainless Steel”, Jan. 2006 (2 pgs).
- Reino—Recommended Cashbox Handling Guidelines, Sep. 9, 2009 (7 pgs).
- Reino Parking Systems—“On-Street Service Procedures” , Jun. 2004 (19 pgs).
- Reino Meter Advertisement, *Parking Today*, Aug. 2003 (1 pg).
- Reino Parking Systems, RSV2 Service Manual Version 3, Dec. 2003 (78 pgs).
- Duncan Solutions, RSV3 Parking Meter , Jul. 2011 (2 pgs).
- Reino International, Reino RSV3 Brochure, Nov. 2007 (4 pgs).
- Reino International, ReinoNet Operator User Manual, Jan. 2003 (106 pgs).
- Shaheen, S.—“Smart Parking Management Field Test: A Bay Area Rapid Transit (BART) District Parking Demonstration”, Jan. 1, 2005 (139 pgs).
- Bernspang, F.—“Smart Parking using Magnetometers and Mobile Applications”, Nov. 2010 to May 2011 (35 pgs).
- The Intelligent Transportation Society of America (ITS America), “Smart Parking and the Connected Consumer: Opportunities for Facility Operators and Municipalities”, Dec. 2012 (39 pgs).
- Cosgrove, D.—“SmartPark: Senior Project Report”, Jun. 12, 2013 (20 pgs).
- IPS, “Multi Bay Parking Meter product description”, <http://www.design-industry.com.au/work/multi-bay-parking-meter/>, Oct. 6, 2015 (6 pages).
- IPS Single Bay Parking Meter product description, <http://www.design-industry.com.au/work/ips-single-parking-meter/>, Oct. 6, 2015 (6 pages).
- Photo Violation Technologies—Revolutionizing the Industry by Perfecting How People Park, <https://web.archive.org/web/20060813094459/http://photoviolation.com/>, Aug. 13, 2006(65 pages).
- Photo Violation Technologies—Revolutionizing the Industry by Perfecting How People Park, <https://web.archive.org/web/20060823100739/http://photoviolation.com/>, Aug. 23, 2006(65 pages).
- Photo Violation Technologies—Revolutionizing the Industry by Perfecting How People Park, <https://web.archive.org/web/20080222104246/http://photoviolation.com/>, Feb. 22, 2008(47 pages).
- Photo Violation Technologies—Revolutionizing the Industry by Perfecting How People Park, <https://web.archive.org/web/20060110041849/http://photoviolation.com/>, Jan. 10, 2006(57 pages).
- Photo Violation Technologies—Revolutionizing the Industry by Perfecting How People Park, <https://web.archive.org/web/20060715195511/http://photoviolation.com/>, Jul. 15, 2006(49 pages).
- Transcript & Screenshot of Photo Violation Technologies Corp.—“PhotoViolationHandHeldUnit™” Jun. 2015 (6 pages).
- Transcript & Screenshot of Photo Violation Technologies Corp.—“The PBS Solution,” Jun. 2015 (10 pages).
- Transcript & Screenshot of Photo Violation Technologies Corp.—“The PVM Solution,” Jun. 2015 (17 pages).
- Video link, “ParkCardMeter™ System,” <https://web.archive.org/web/20080222104246/http://www.photoviolation.com/videos/PCM.wmv>, Photo Violation Technologies Corp. Jun. 2015.
- Video link, “PhotoViolationHandHeldUnit™,” <https://web.archive.org/web/20080222104246/http://www.photoviolation.com/videos/HHU.wmv>, Photo Violation Technologies Corp. Jun. 2015.
- Video link, “The PPS Solution,” <https://web.archive.org/web/20080222104246/http://www.photoviolation.com/videos/PBS.wmv>, Photo Violation Technologies Corp. Jun. 2015.
- Video link, “The PVM Solution,” <https://web.archive.org/web/20080222104246/http://www.photoviolation.com/videos/PVM.wmv>, Photo Violation Technologies Corp. Jun. 2015.



C03-0555 MacKay Custodian Multi-Space Machine—Configuration Guide, May 2005 (184 pgs).  
 Supplementary European Search Report EP 07 78 4953, dated Jul. 1, 2010 (1 pg).  
 U.S. Appl. No. 60/741,920, filed Dec. 2, 2005, 20 pages(Exhibit 1005).  
 U.S. Appl. No. 61/048,133, filed Apr. 25, 2008 (33 pgs).  
 U.S. Appl. No. 61/022,213, filed Jan. 18, 2008 (9 pgs).  
 U.S. Appl. No. 61/359,137, filed Jun. 28, 2010 (26 pgs).  
 Anonymous, “Improved Clarity Polycarbonate (PC) Resins used in liniLED PU”, Sep. 26, 2016 (1 pg).  
 Design U.S. Appl. No. 29/521,401, filed Mar. 23, 2015 (24 pgs).  
 Schuering, K.—“Weatherable PC applications expand” Sep. 26, 2016 (2 pgs).  
 Canadian Office Action issued for related application No. 2,745,365, dated Aug. 26, 2011 (4 pgs).  
 Canadian Office Action issued for related application No. 2,745,365 dated Mar. 1, 2012 (6 pgs).  
 Canadian Office Action issued for related application No. 2,745,365 dated Jun. 5, 2012 (2 pgs).  
 Canadian Office Action issued for related application No. 2,745,365 dated Jul. 4, 2012 (2 pgs).  
 Canadian Office Action issued for related application No. 2,745,368 dated Aug. 4, 2011 (2 pgs).  
 Canadian Office Action issued for related application No. 2,745,368 dated Nov. 1, 2011 (3 pgs).  
 Canadian Office Action issued for related application No. 2,770,093 dated Oct. 29, 2012 (2 pgs).  
 Canadian Office Action issued for related application No. 2,770,093 dated Apr. 10, 2013 (2 pgs).  
 Canadian Office Action issued for related application No. 2,770,093 dated Jun. 11, 2014 (2 pgs).  
 Canadian Office Action issued for related application No. 2,770,093 dated Oct. 15, 2014 (3 pgs).  
 Canadian Office Action issued for related application No. 2,773,250 dated Mar. 26, 2015 (10 pgs).  
 Canadian Office Action issued for related application No. 2,773,250 dated Jun. 20, 2013 (3 pgs).  
 Canadian Office Action issued for related application No. 2,773,250 dated Jun. 30, 2014 (3 pgs).  
 Canadian Office Action issued for related application No. 2,773,250 dated Mar. 12, 2014 (5 pgs).  
 Canadian Office Action issued for related application No. 2,773,250 dated Nov. 12, 2014 (10 pgs).  
 Canadian Office Action issued for related application No. 2,773,250 dated Oct. 7, 2013 (4 pgs).  
 Canadian Office Action issued for related application No. 2,870,544 dated Jan. 19, 2015 (5 pgs).  
 Canadian Office Action issued for related application No. 2,870,2015 dated Oct. 15, 2015 (6 pgs).  
 Canadian Office Action issued for related application No. 2,770,093 dated Jul. 5, 2012 (5 pgs).  
 International Search Report & Written Opinion, PCT/CA2012/000191 dated Jun. 20, 2012 (6 pgs).  
 International Search Report, PCT/CA2012/000191 dated Jun. 20, 2012 (3 pgs).  
 International Search Report, PCT/CA216/050927 dated Nov. 25, 2016 (14 pgs).  
 International Search Report & Written Opinion, PCT/CA2016/050928 dated Oct. 12, 2016 (12 pgs).  
 International Search Report, PCT/US2012/037205 dated Oct. 4, 2012 (3 pgs).  
 International Search Report, PCT/US2012/037229 dated Jan. 28, 2013 (6 pgs).  
 International Search Report, PCT/CA2007/001266 dated Apr. 21, 2008 (3 pgs).  
 International Search Report, PCT/CA2009/001058 dated Nov. 12, 2009 (5 pgs).  
 International Search Report, PCT/CA2009/001657 dated Feb. 17, 2010 (3 pgs).  
 International Search Report, PCT/IB2006/054574 dated Oct. 27, 2008 (3 pgs).

International Search Report, PCT/US2010/047906 dated Mar. 30, 2011 (3 pgs).  
 International Search Report, PCT/US2010/047907 dated Apr. 26, 2011 (3 pgs).  
 International Search Report, PCT/US2012/048190 dated Jan. 22, 2013 (3 pgs).  
 International Search Report, PCT/US2013/021201 dated Apr. 30, 2013 (3 pgs).  
 International Preliminary Report on Patentability, PCT/CA2012/000191 dated Sep. 12, 2013 (7 pgs).  
 International Preliminary Report on Patentability, PCT/IB2006/054574 dated Mar. 10, 2009 (5 pgs).  
 International Preliminary Report on Patentability, PCT/US2010/047906 dated Mar. 6, 2012 (5 pgs).  
 International Preliminary Report on Patentability, PCT/US2010/047907 dated Mar. 15, 2012 (5 pgs).  
 American Metal Market, Metal Working News, “Electronic Models Create Battle of Parking Meters”, Sep. 29, 1986 (Exhibit 1015) (1 pg).  
 Good Morning America transcript from Nov. 6, 1986 (Exhibit 1012) (3 pgs).  
 Lansing State Journal, “Chaning Times”, Feb. 19, 1987 (Exhibit 1014) (1 pg).  
 The San Diego Union, “New parking meters based on computer”, Feb. 1, 1987 (Exhibit 1011) (1 pg).  
 Byrd, Dennis—The Los Angeles Times, “Parking Meter Manufacturer Sees Bright Future for New Sun-Powered Devices”, May 14, 1989 (2 pgs).  
 Christian, Sue Ellen—The Chicago Tribune, “Parking Meter Winding Up for Computer Age”, May 19, 1996 (Exhibit 1010) (6 pgs).  
 Spyker et al., “Predicting Capacitor Run Time for a Battery/Capacitor Hybrid Source”, Power Electronic Systems for Industrial Growth, Dec. 1998 International Conference Proceedings (2 pgs).  
 PRNewswire, “First Wireless Monitoring of Parking Meters Results in Theft Arrests Using CellNet Data Systems Technology”, May 11, 1999 (3 pgs).  
 Tung, Yaotsung—“Design of an Advanced On-Street Parking Meter” 2001, (Exhibit 1009) (75 pgs).  
 Tung, Yaostung—“Design of an Advanced On-Street Parking Meter” Catalog Entry, 2001 (Exhibit 1037) (2 pgs).  
 Capital Works Reserve Fund—Item for Finance Committee “Capital Subventions and Major Systems and Equipment” May 24, 2002 (Exhibit 1017) (15 pgs).  
 Basu et al., “Networked Parking Spaces: Architecture and Applications”, Boston University Department of Electrical and Computer Engineering, IEEE Vehicular Transportation Conference (10 pgs).  
 “PT Goes Internet”, Luke Parking Station (LPS ad), Parking Today vol. 10 No. 4, Apr. 4 2005, (64 pgs).  
 Third-Party Information Liability Disclaimer, Registration No. 168171, Mar. 27, 2017, 7 pages.  
 Third-Party Information Liability Disclaimer, Registration No. 168172, Mar. 27, 2017, 7 pages.  
 Third Party Information Liability Disclaimer, Registration No. 168173, Mar. 27, 2017, 7 pages.  
 Third Party Information Liability Disclaimer, Registration No. 168198, Mar. 27, 2017, 9 pages.  
 Third Party Information Liability Disclaimer, Registration No. 168199, Mar. 27, 2017, 8 pages.  
 Third Party Information Liability Disclaimer, Registration No. 168200, Mar. 27, 2017, 8 pages.

\* cited by examiner

*Primary Examiner* — Sheryl Lane  
*Assistant Examiner* — Samantha N Wood  
 (74) *Attorney, Agent, or Firm* — Lorenz & Kopf, LLP

(57) **CLAIM**

The ornamental design for a parking meter, as shown and described.

**DESCRIPTION**

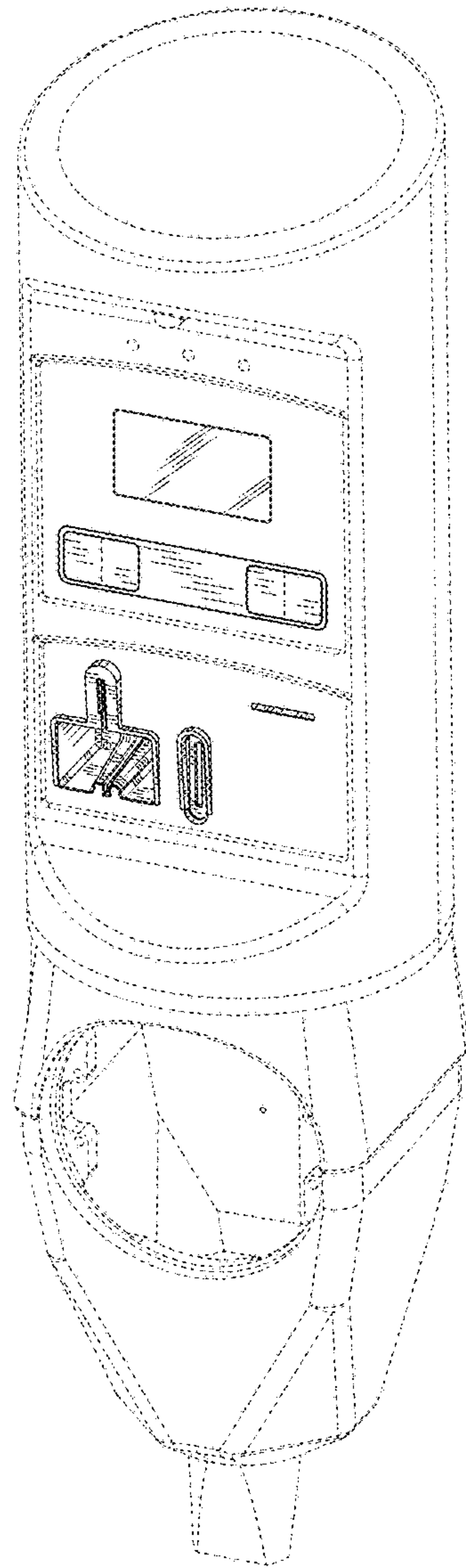
FIG. 1 is a front perspective view of the parking meter;  
 FIG. 2 is a first side view thereof;



FIG. 3 is a front view thereof;  
FIG. 4 is a second side view thereof;  
FIG. 5 is a front perspective view of the first variant of the parking meter;  
FIG. 6 is a first side view of the first variant thereof;  
FIG. 7 is a front view of the first variant thereof;  
FIG. 8 is a second side view of the first variant thereof;  
FIG. 9 is a front perspective view of the second variant of the parking meter;  
FIG. 10 is a first side view of the second variant thereof;  
FIG. 11 is a front view of the second variant thereof;  
FIG. 12 is a second side view of the second variant thereof;  
FIG. 13 is a front perspective view of the third variant of the parking meter;  
FIG. 14 is a first side view of the third variant thereof;  
FIG. 15 is a front view of the third variant thereof; and,  
FIG. 16 is a second side view of the third variant thereof.  
The broken lines showing portions of the parking meter are included for the purpose of depicting the environmental structure and form no part of the claimed design.

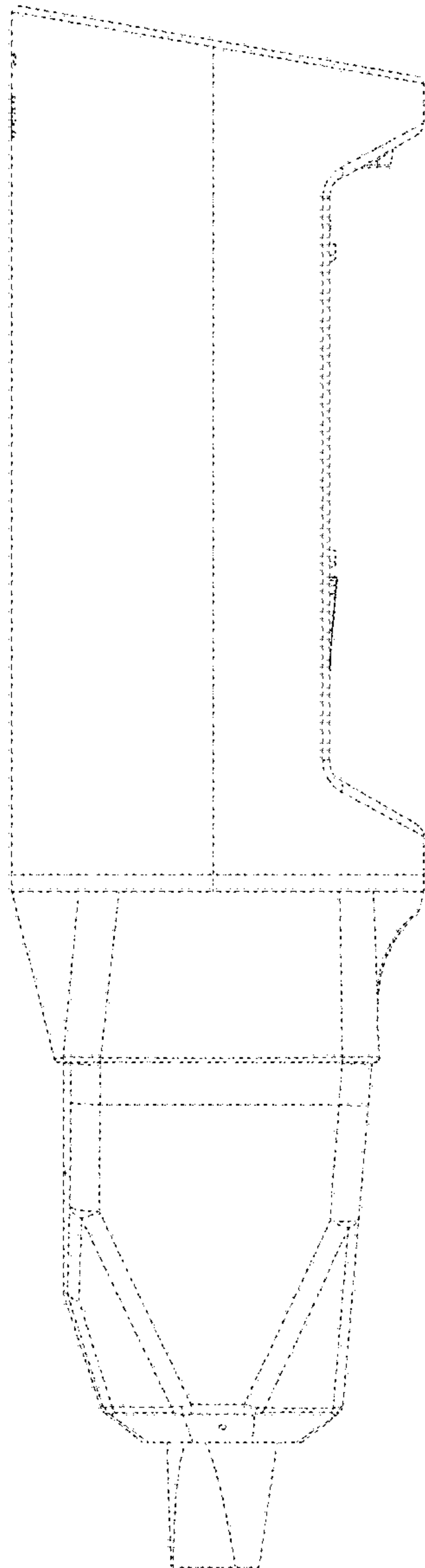
**1 Claim, 12 Drawing Sheets**



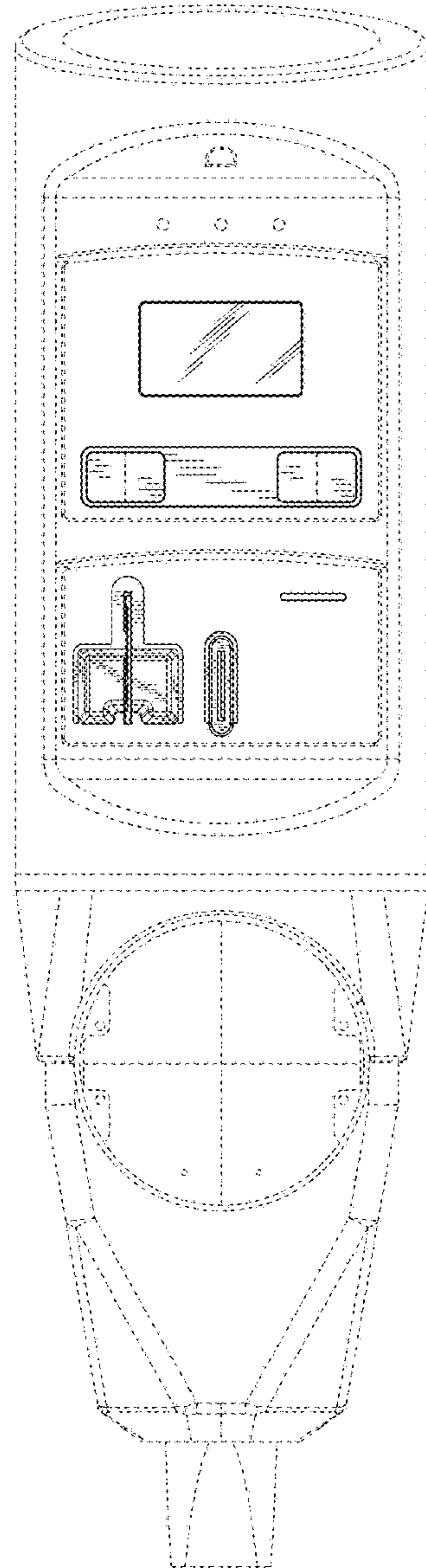


**FIG. 1**



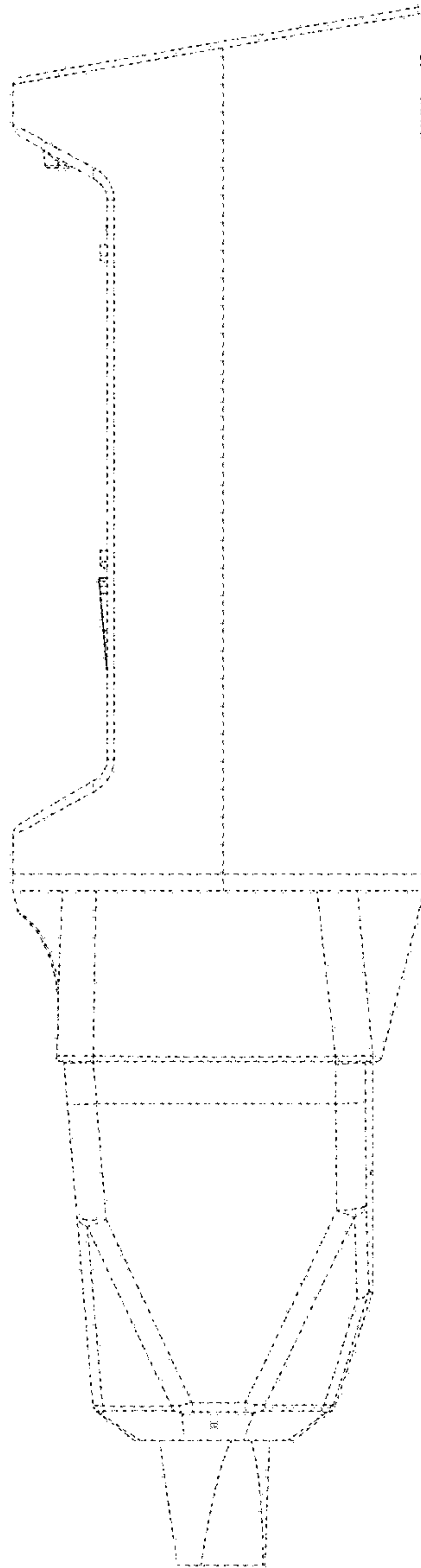


**FIG. 2**

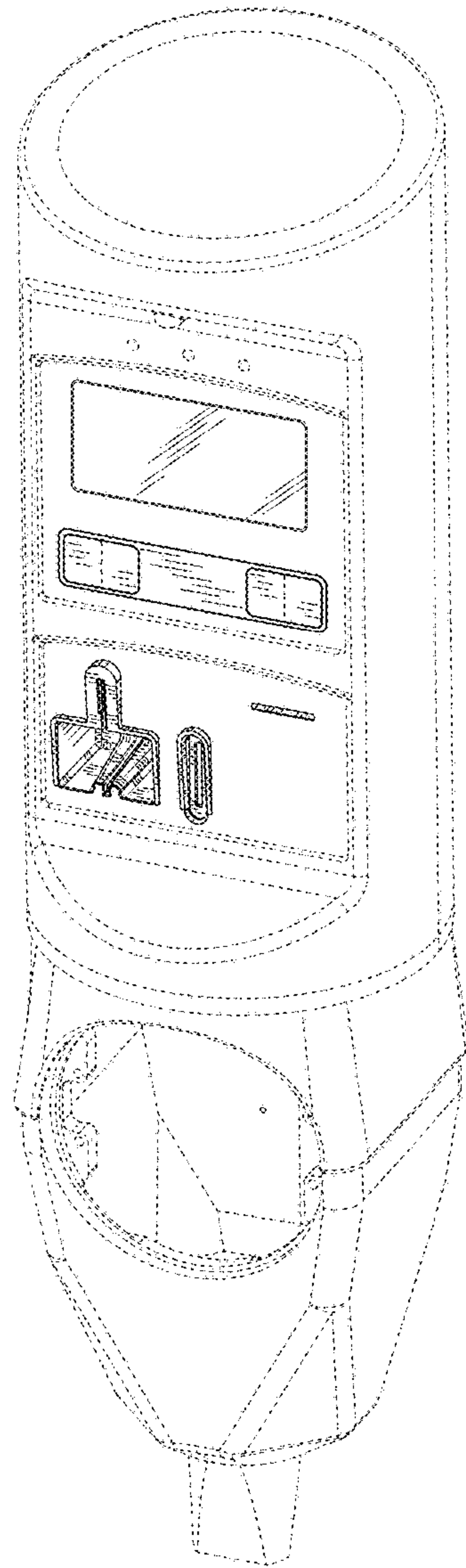


**FIG. 3**



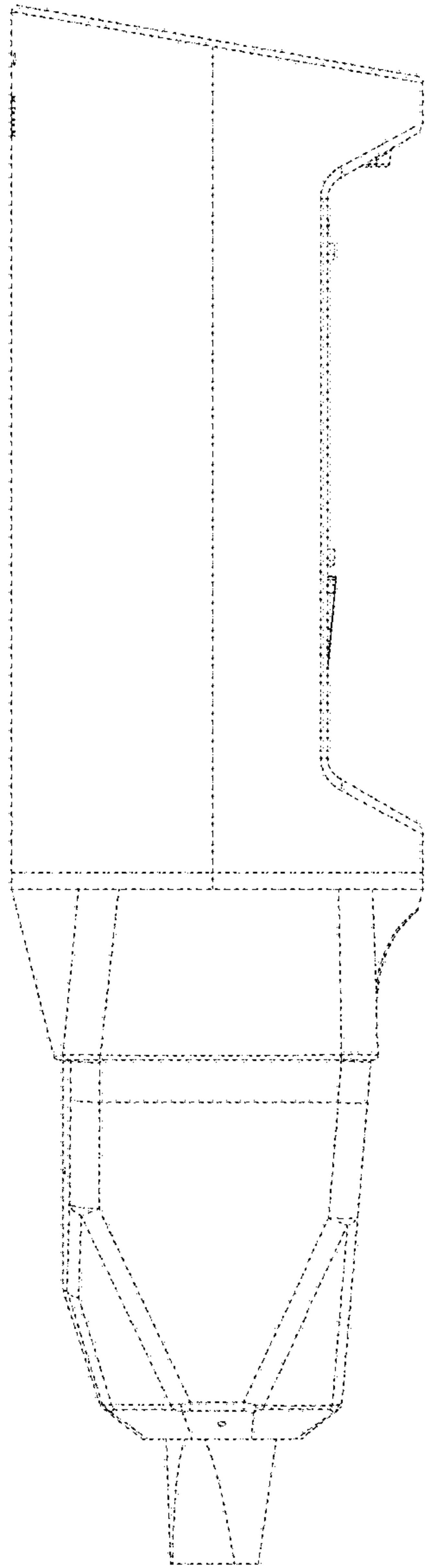


**FIG. 4**

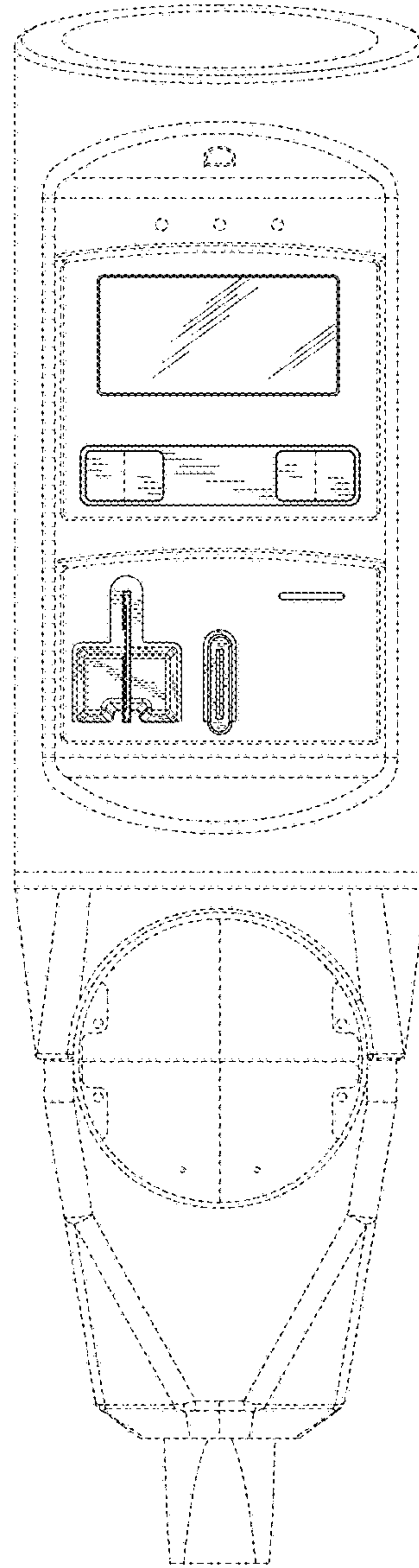


**FIG. 5**

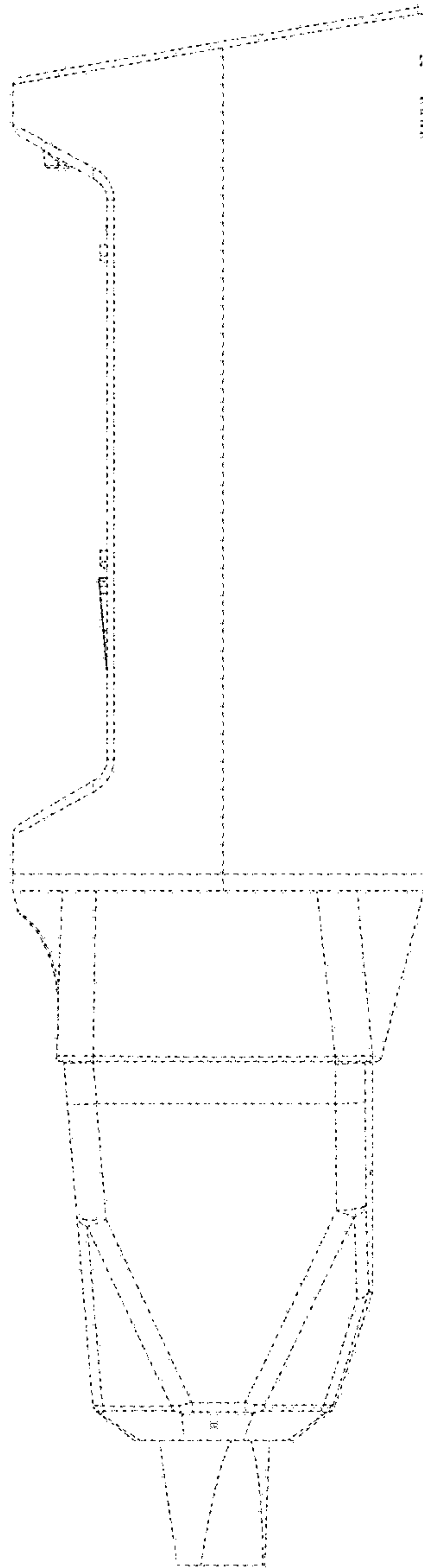




**FIG. 6**

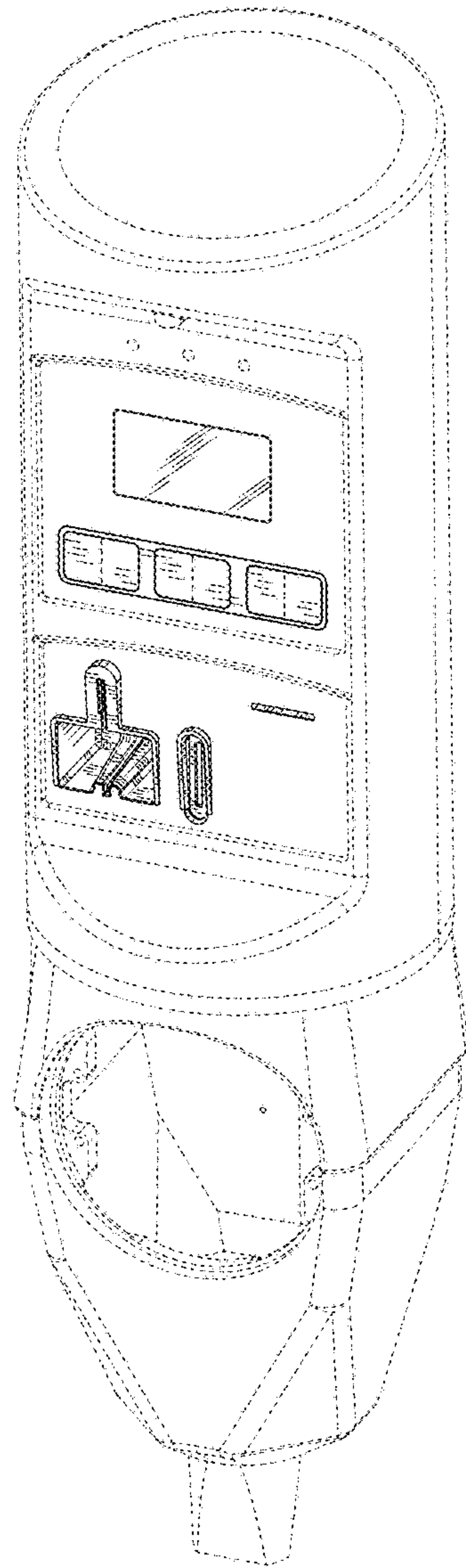


**FIG. 7**



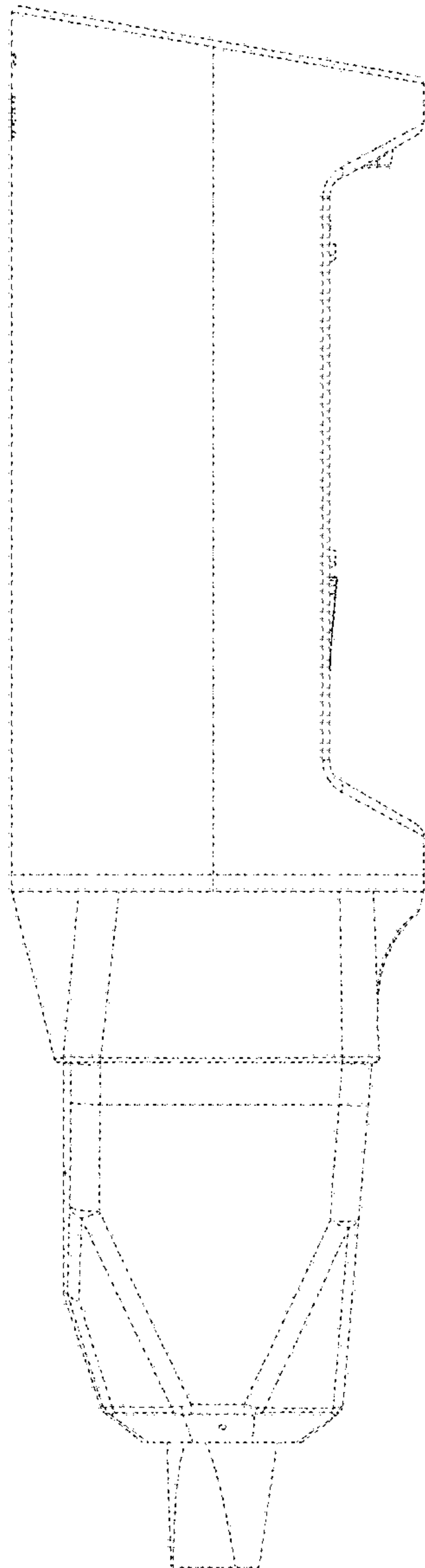
**FIG. 8**



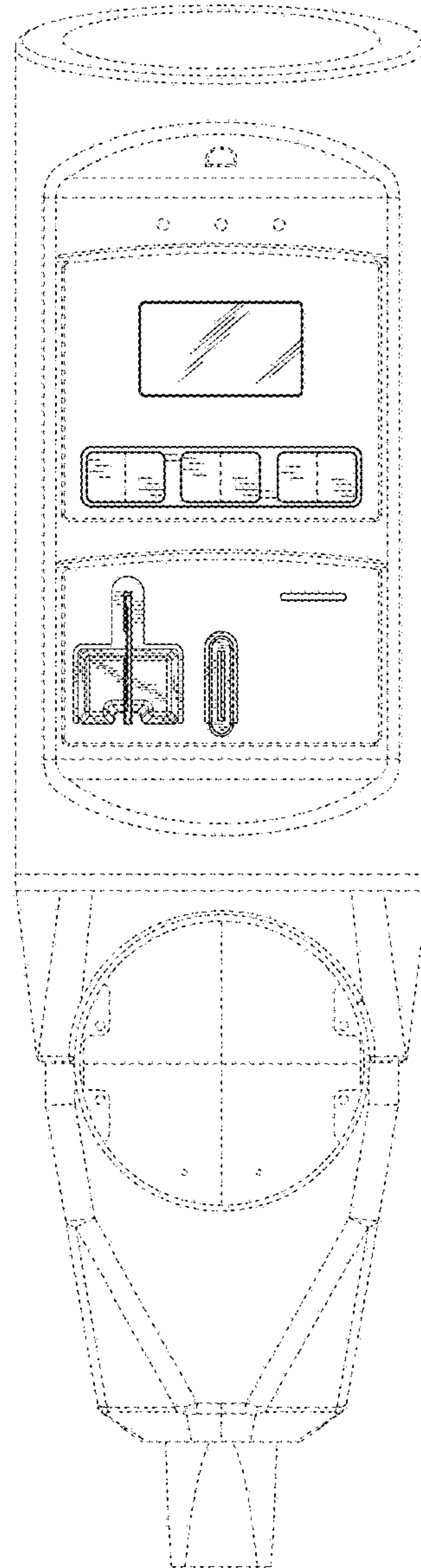


**FIG. 9**

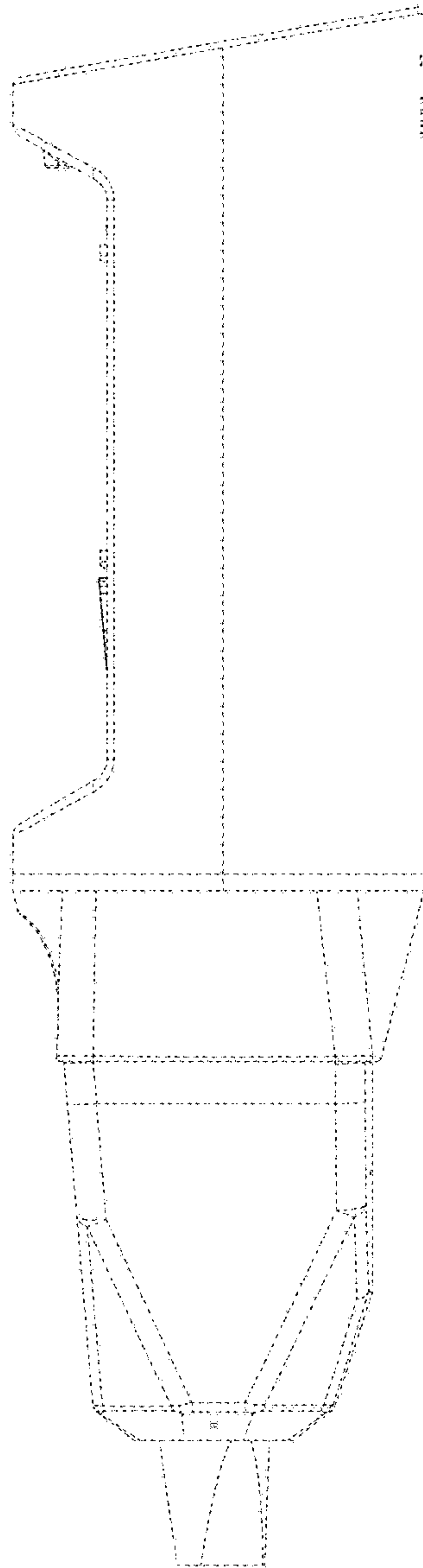




**FIG. 10**

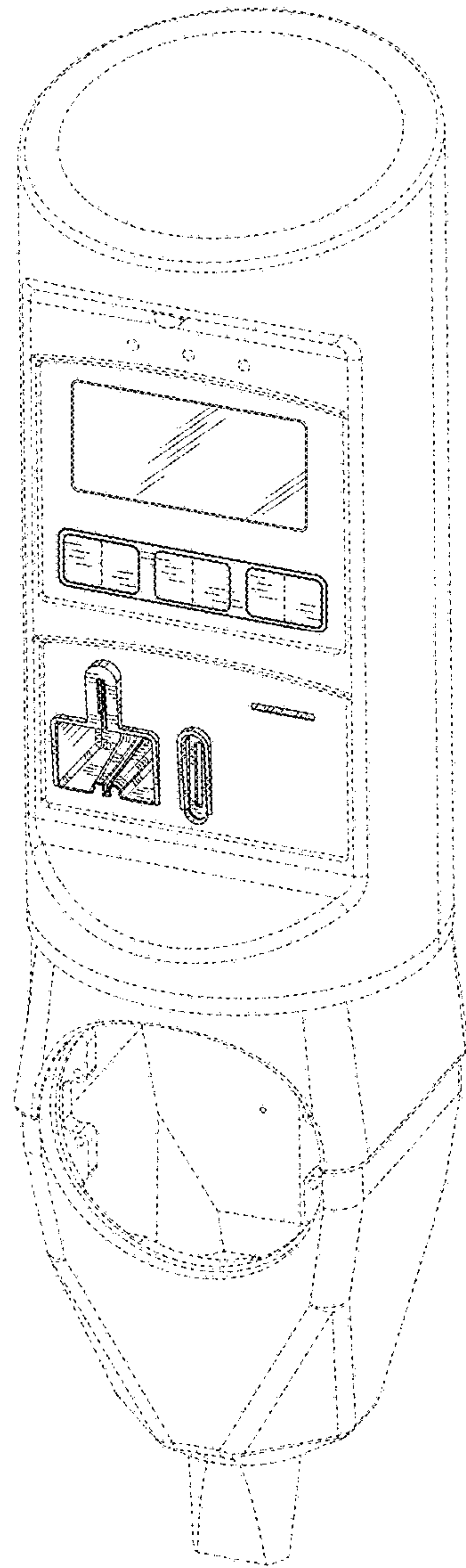


**FIG. 11**

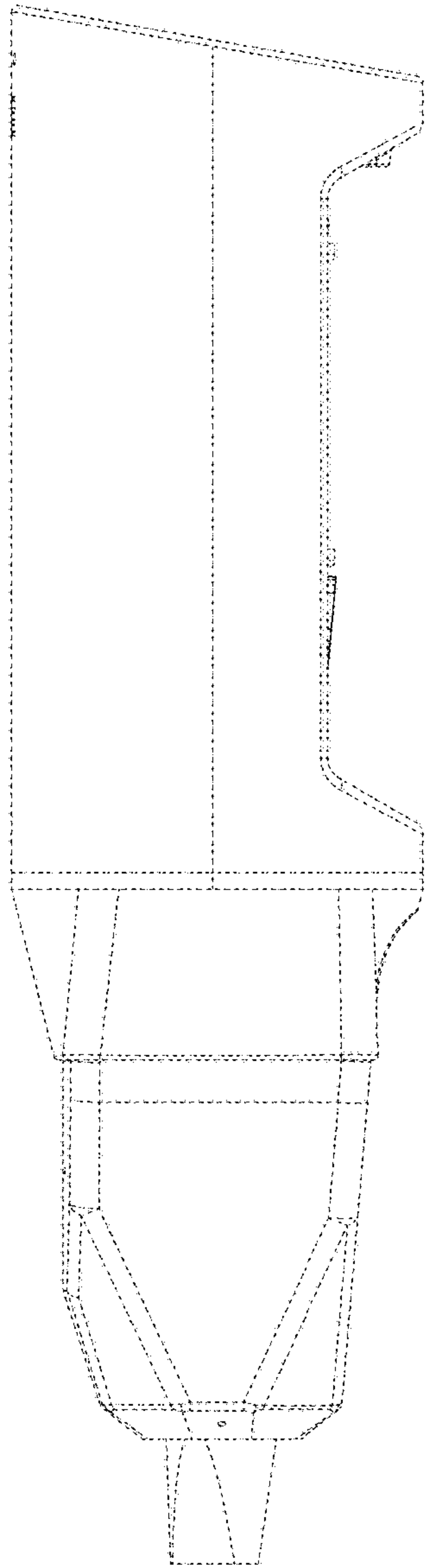


**FIG. 12**

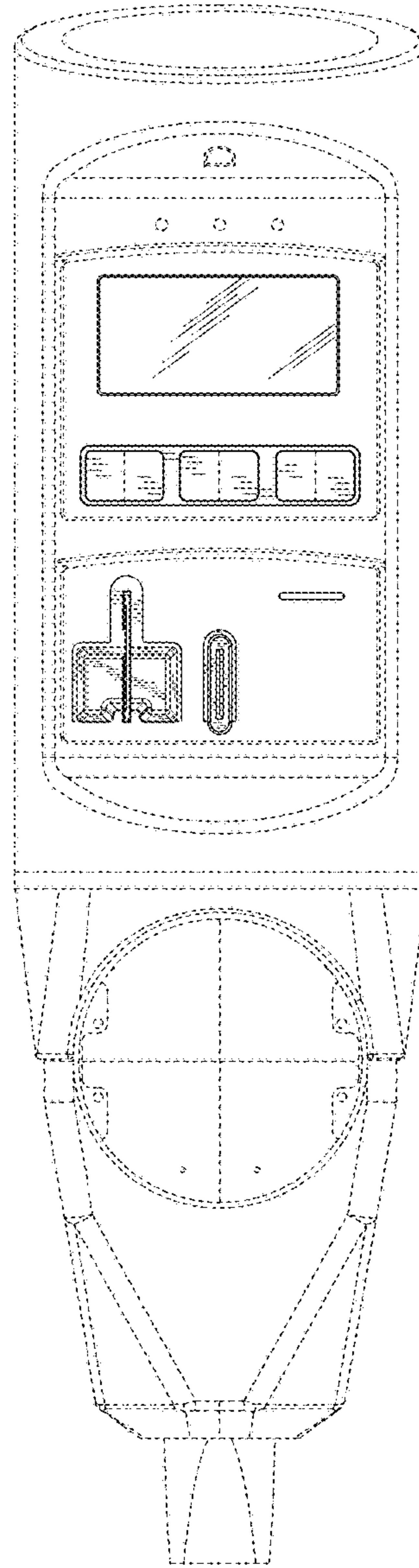




**FIG. 13**

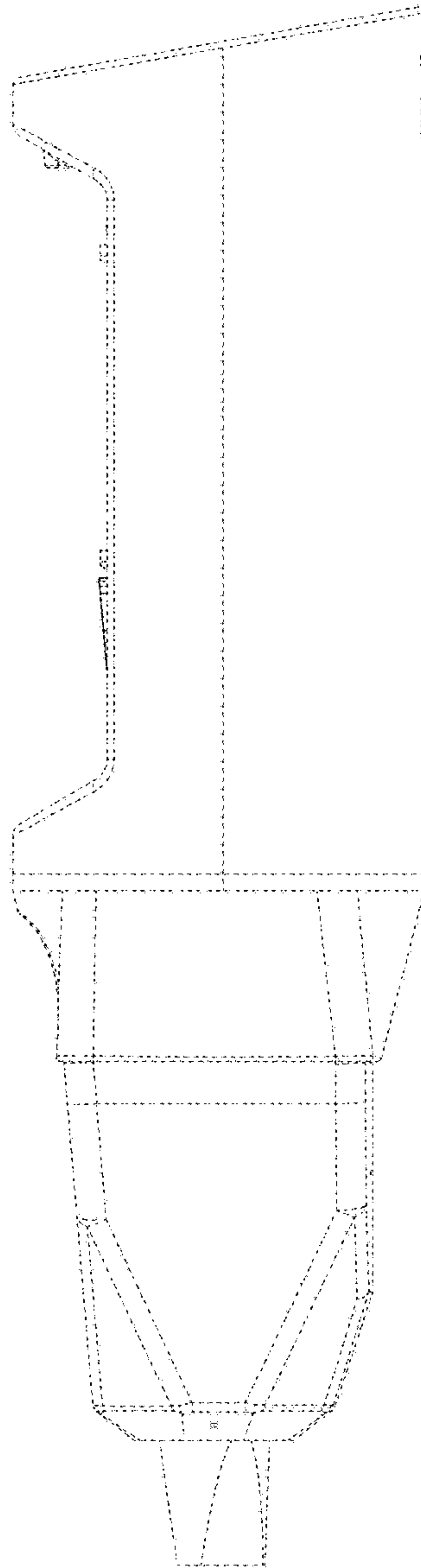


**FIG. 14**



**FIG. 15**





**FIG. 16**