



US00D863987S

(12) **United States Design Patent** (10) **Patent No.:** **US D863,987 S**
MacKay et al. (45) **Date of Patent:** **** Oct. 22, 2019**

(54) **PARKING METER**

(56) **References Cited**

(71) Applicant: **J.J. MacKay Canada Limited**, New Glasgow (CA)

U.S. PATENT DOCUMENTS

(72) Inventors: **George Allan MacKay**, New Glasgow (CA); **James George MacKay**, New Glasgow (CA); **Adrian Ignatius O'Neil**, New Glasgow (CA); **Robert Steven Cosh**, Antigonish (CA); **Darren Scott Cameron**, New Glasgow (CA); **Gregory Emile Chauvin**, Brookside (CA); **David Andrew McMullin**, Ottawa (CA); **Michael Brown**, Ottawa (CA); **Matthew Watson**, Ottawa (CA)

480,108 A 8/1892 Loch
1,189,991 A 7/1916 Mugler
(Continued)

FOREIGN PATENT DOCUMENTS

AU 4035701 A1 9/2001
AU 200227724 A1 1/2003
(Continued)

OTHER PUBLICATIONS

US 8,636,133 B2, 01/2014, MacKay et al. (withdrawn)
(Continued)

(73) Assignee: **J.J. Mackay Canada Limited**, New Glasgow, Nova Scotia (CA)

Primary Examiner — Sheryl Lane
Assistant Examiner — Samantha N Wood

(**) Term: **15 Years**

(74) *Attorney, Agent, or Firm* — Lorenz & Kopf, LLP

(21) Appl. No.: **29/601,686**

(57) **CLAIM**

(22) Filed: **Apr. 25, 2017**

The ornamental design for a parking meter, as shown and described.

Related U.S. Application Data

DESCRIPTION

(62) Division of application No. 29/555,671, filed on Feb. 24, 2016, now Pat. No. Des. 813,059.

(30) **Foreign Application Priority Data**

Oct. 16, 2015 (CA) 164824

(51) **LOC (12) Cl.** **10-03**

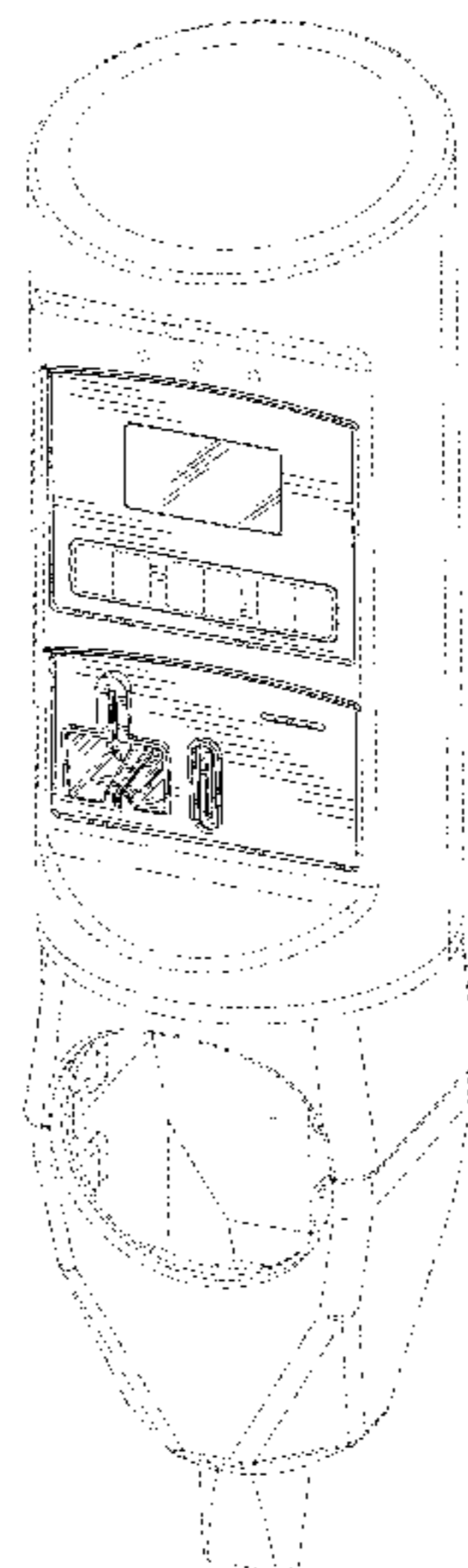
(52) **U.S. Cl.**
USPC **D10/42**

(58) **Field of Classification Search**
USPC D10/40, 41, 42, 102, 49, 50, 52, 75, 80,
D10/103, 43, 44; D99/35, 43; D13/162,
D13/173, 184, 199

FIG. 1 is a front perspective view of the parking meter;
FIG. 2 is a first side view thereof;
FIG. 3 is a front view thereof;
FIG. 4 is a second side view thereof;
FIG. 5 is a front perspective view of the first variant of the parking meter;
FIG. 6 is a first side view of the first variant thereof;
FIG. 7 is a front view of the first variant thereof; and,
FIG. 8 is a second side view of the first variant thereof.
The broken lines showing portions of the parking meter are included for the purpose of depicting the environmental structure and form no part of the claimed design.

(Continued)

1 Claim, 6 Drawing Sheets



(58) **Field of Classification Search**
 CPC G07F 17/24; G07F 17/242; G07F 17/244;
 G07F 17/246; G07C 1/30
 See application file for complete search history.

(56) **References Cited**

U.S. PATENT DOCUMENTS

1,445,771 A 2/1923 Keplinger
 1,818,568 A 8/1931 Melick
 D98,810 S 3/1936 Magee
 D100,875 S 8/1936 Michaels
 D101,237 S 9/1936 Miller
 D106,561 S * 10/1937 Broussard D10/42
 D107,577 S 12/1937 McGay et al.
 2,118,318 A 5/1938 Magee
 D112,677 S 12/1938 Broussard et al.
 2,161,046 A 6/1939 Hitzeman
 D116,805 S 9/1939 Reznik
 2,229,183 A 1/1941 Mitchell
 2,261,353 A 11/1941 Fedele
 2,289,838 A 7/1942 Herschede et al.
 D152,294 S 1/1949 Siegel et al.
 D152,587 S 2/1949 Brundage
 D154,716 S 8/1949 Simpson
 2,483,805 A 10/1949 Broussard et al.
 2,495,784 A 1/1950 Starts
 D162,698 S 3/1951 Teague
 2,546,433 A 3/1951 Dick
 2,547,272 A 4/1951 Lawson et al.
 2,550,433 A 4/1951 Tichenor
 2,570,920 A 10/1951 Clough et al.
 D166,059 S 2/1952 Yoss
 2,594,388 A 4/1952 Broussard
 2,595,124 A 4/1952 Campbell
 D166,753 S 5/1952 Jones
 2,596,122 A 5/1952 Broussard
 2,596,123 A 5/1952 Broussard
 2,596,124 A 5/1952 Broussard
 2,599,881 A 6/1952 Woodruff
 2,613,792 A 10/1952 Broussard et al.
 2,613,871 A 10/1952 Broussard et al.
 2,618,371 A 11/1952 Broussard
 2,633,960 A 4/1953 Broussard
 D181,359 S 11/1957 Jones
 2,818,371 A 12/1957 Wessinger
 2,822,682 A 2/1958 Sollenberger
 2,832,506 A 4/1958 Hatcher
 D189,106 S 10/1960 Leiderman
 2,956,525 A 10/1960 Blauvelt
 2,985,978 A 5/1961 Breen et al.
 2,988,191 A 6/1961 Grant
 2,995,230 A 8/1961 Moody et al.
 3,018,615 A 1/1962 Minton et al.
 3,056,544 A 10/1962 Sollenberger et al.
 D199,270 S 9/1964 Michaels
 D200,216 S 2/1965 Broussard
 3,183,411 A 5/1965 Palfi
 3,199,321 A 8/1965 Sollenberger
 3,204,438 A 9/1965 Sollenberger
 3,208,061 A 9/1965 Gervasi et al.
 3,262,540 A 7/1966 Sollenberger et al.
 3,272,299 A 9/1966 Sollenberger
 3,324,647 A 6/1967 Jedynek
 3,373,856 A 3/1968 Kusters et al.
 3,438,031 A 4/1969 Fathauer
 3,486,324 A 12/1969 Andersson
 3,519,113 A 7/1970 Arzig et al.
 3,535,870 A 10/1970 Mitchell
 3,565,283 A 2/1971 Sciacero et al.
 3,637,277 A 1/1972 Krug et al.
 3,666,067 A 5/1972 Kaiser
 3,721,463 A 3/1973 Attwood et al.
 3,770,090 A 11/1973 Fayling et al.
 D230,511 S 2/1974 Stieber
 D235,801 S 7/1975 Gore
 3,941,989 A 3/1976 McLaughlin et al.

3,964,590 A 6/1976 May et al.
 3,975,934 A 8/1976 Babai et al.
 3,982,620 A 9/1976 Kortenhous
 3,991,595 A 11/1976 Bahry et al.
 3,999,372 A 12/1976 Welch et al.
 4,031,991 A 6/1977 Malott
 4,043,117 A 8/1977 Maresca et al.
 4,147,707 A 4/1979 Alewelt et al.
 4,237,710 A 12/1980 Cardozo
 4,248,225 A 2/1981 Fiedler
 4,249,648 A 2/1981 Meyer
 4,264,963 A 4/1981 Leach
 4,306,219 A 12/1981 Main
 4,310,890 A 1/1982 Trehn et al.
 4,317,180 A 2/1982 Lies
 4,317,181 A 2/1982 Teza et al.
 4,323,847 A 4/1982 Karbowski
 4,379,334 A 4/1983 Feagins, Jr. et al.
 4,409,665 A 10/1983 Tubbs
 D272,291 S 1/1984 Hauser et al.
 4,432,447 A 2/1984 Tanaka
 4,460,080 A 7/1984 Howard
 4,460,965 A 7/1984 Trehn et al.
 4,474,281 A 10/1984 Roberts et al.
 4,479,191 A 10/1984 Nojima et al.
 4,483,431 A 11/1984 Pratt
 D278,689 S 5/1985 Jupe
 4,574,936 A 3/1986 Klinger
 4,639,021 A 1/1987 Hope
 D288,441 S 2/1987 Lalonde
 4,678,994 A 7/1987 Davies
 4,742,903 A 5/1988 Trummer
 4,749,074 A 6/1988 Ueki et al.
 D296,795 S 7/1988 Bouve
 4,763,769 A 8/1988 Levasseur
 4,809,838 A 3/1989 Houserman
 4,812,805 A 3/1989 Lachat et al.
 4,823,928 A 4/1989 Speas
 4,825,425 A 4/1989 Turner
 4,827,206 A 5/1989 Speas
 4,845,484 A 7/1989 Ellsberg
 4,848,556 A 7/1989 Shah et al.
 4,854,987 A 8/1989 Adsett
 4,872,149 A 10/1989 Speas
 4,875,598 A 10/1989 Dahl
 4,880,097 A 11/1989 Speas
 4,880,406 A 11/1989 Van Horn et al.
 4,895,238 A 1/1990 Speas
 4,951,799 A 8/1990 Kai
 4,967,895 A 11/1990 Speas
 4,967,985 A 11/1990 Deakin
 4,976,630 A 12/1990 Schuder et al.
 4,989,714 A 2/1991 Abe
 5,027,935 A 7/1991 Berg et al.
 5,029,094 A 7/1991 Wong
 D319,077 S 8/1991 Arato et al.
 5,060,777 A 10/1991 Van Horn et al.
 5,065,156 A 11/1991 Bernier
 5,076,414 A 12/1991 Kimoto
 5,088,073 A 2/1992 Speas
 5,109,972 A 5/1992 Van Horn et al.
 5,119,916 A 6/1992 Carmen et al.
 5,155,614 A 10/1992 Carmen et al.
 5,158,166 A 10/1992 Barson
 5,184,707 A 2/1993 Van Horn et al.
 5,192,855 A 3/1993 Insulander et al.
 5,201,396 A 4/1993 Chalabian et al.
 D335,460 S 5/1993 Tanaka
 D336,860 S 6/1993 Clough
 5,222,076 A 6/1993 Ng et al.
 D337,953 S * 8/1993 Verborn D10/30
 5,244,070 A 9/1993 Carmen et al.
 D340,038 S 10/1993 Venne et al.
 5,259,491 A 11/1993 Ward, II
 5,266,947 A 11/1993 Fujiwara et al.
 D342,209 S 12/1993 Clough
 5,273,151 A 12/1993 Carmen et al.
 5,287,384 A 2/1994 Avery et al.
 5,293,979 A 3/1994 Levasseur

(56)

References Cited

U.S. PATENT DOCUMENTS

5,298,894 A	3/1994	Cerny et al.	D421,399 S	3/2000	Bennett et al.
5,343,237 A	8/1994	Morimoto	6,037,880 A	3/2000	Manion
D351,193 S	10/1994	Abe	D423,181 S	4/2000	Dallman
5,351,798 A	10/1994	Hayes	D423,755 S	4/2000	Ha
5,360,095 A	11/1994	Speas	6,052,453 A	4/2000	Sagady et al.
D354,047 S	1/1995	Leggate et al.	6,078,272 A	6/2000	Jacobs et al.
D354,835 S	1/1995	Brendel	6,081,205 A	6/2000	Williams
5,382,780 A	1/1995	Carmen	6,081,206 A	6/2000	Kielland
5,402,475 A	3/1995	Lesner, Jr. et al.	D427,413 S	7/2000	Wallace et al.
5,407,049 A	4/1995	Jacobs	6,082,153 A	7/2000	Schoell et al.
5,426,363 A	6/1995	Akagi et al.	6,098,361 A	8/2000	Roten et al.
D360,734 S	7/1995	Hall	6,107,942 A	8/2000	Yoo et al.
5,439,089 A	8/1995	Parker	6,109,418 A	8/2000	Yost
5,442,348 A	8/1995	Mushell	6,111,522 A	8/2000	Hiltz et al.
5,454,461 A	10/1995	Jacobs	D430,810 S	9/2000	Omuro et al.
5,471,139 A	11/1995	Zadoff	6,116,403 A	9/2000	Kiehl
5,475,373 A	12/1995	Speas	D431,788 S	10/2000	Tuxen et al.
5,489,014 A	2/1996	Menoud	D432,286 S	10/2000	Irie
5,500,517 A	3/1996	Cagliostro	6,132,152 A	10/2000	Kaibach et al.
5,507,378 A	4/1996	Leone	6,147,624 A	11/2000	Clapper
5,526,662 A	6/1996	Diekhoff et al.	6,188,328 B1	2/2001	Ho
5,563,491 A	10/1996	Tseng	6,193,045 B1	2/2001	Ishida et al.
5,568,441 A	10/1996	Sanemitsu	6,195,015 B1	2/2001	Jacobs et al.
D375,607 S	11/1996	Hall	D439,591 S	3/2001	Reidt et al.
5,570,771 A	11/1996	Jacobs	RE37,193 E	5/2001	Ward, II et al.
5,573,099 A	11/1996	Church et al.	6,227,343 B1	5/2001	Neathway et al.
5,614,892 A	3/1997	Ward, II et al.	6,229,455 B1	5/2001	Yost et al.
5,617,942 A	4/1997	Ward, II et al.	6,230,868 B1	5/2001	Tuxen et al.
5,619,932 A	4/1997	Efland et al.	6,243,028 B1	6/2001	Krygler et al.
5,640,002 A	6/1997	Ruppert et al.	6,243,029 B1	6/2001	Tomer
5,642,119 A	6/1997	Jacobs	6,275,169 B1	8/2001	Krygler et al.
5,648,906 A	7/1997	Amirpanahi	6,275,170 B1	8/2001	Jacobs et al.
D381,976 S	8/1997	Sandor et al.	D447,714 S	9/2001	Cappiello
5,659,306 A	8/1997	Bahar	D448,910 S	10/2001	Kit et al.
5,687,129 A	11/1997	Kim	D449,010 S	10/2001	Petrucelli
D388,227 S	12/1997	Dallman et al.	6,309,098 B1	10/2001	Wong
D388,231 S	12/1997	Magee et al.	D450,253 S	11/2001	Marguet
5,710,743 A	1/1998	Dee et al.	6,312,152 B2	11/2001	Dee et al.
D391,238 S	2/1998	Sakata	6,321,201 B1	11/2001	Dahl
5,732,812 A	3/1998	Grainger et al.	RE37,531 E	1/2002	Chaco et al.
D393,212 S	4/1998	Lucas	6,340,935 B1	1/2002	Hall
5,737,710 A	4/1998	Anthonyson	6,344,806 B1	2/2002	Katz
5,740,050 A	4/1998	Ward, II	D454,421 S	3/2002	Jeon et al.
5,748,103 A	5/1998	Flach et al.	D454,807 S	3/2002	Cappiello
D395,133 S	6/1998	Mikami et al.	6,354,425 B1	3/2002	Tuxen et al.
5,761,061 A	6/1998	Amano	6,366,220 B1	4/2002	Elliott
5,777,302 A	7/1998	Nakagawa et al.	6,373,401 B2	4/2002	Ho
5,777,951 A	7/1998	Mitschele et al.	6,373,422 B1	4/2002	Mostafa
5,777,957 A	7/1998	Lyman	6,373,442 B1	4/2002	Thomas et al.
5,778,067 A	7/1998	Jones et al.	6,380,851 B1	4/2002	Gilbert et al.
D396,655 S	8/1998	Anderson	D460,005 S	7/2002	Jacquet
5,803,228 A	9/1998	Lucas	D461,728 S	8/2002	Tuxen et al.
5,805,083 A	9/1998	Sutton et al.	6,456,491 B1	9/2002	Flannery et al.
5,806,651 A	9/1998	Carmen et al.	D463,749 S	10/2002	Petrucelli
D400,115 S	10/1998	Yaron et al.	6,457,586 B2	10/2002	Yasuda et al.
D400,684 S	11/1998	Dallman	6,467,602 B2	10/2002	Bench et al.
5,833,042 A	11/1998	Baitch et al.	6,477,875 B2	11/2002	Field et al.
5,841,369 A	11/1998	Sutton et al.	D467,954 S	12/2002	Suzuki et al.
5,842,411 A	12/1998	Johnson	6,493,676 B1	12/2002	Levy
5,845,268 A	12/1998	Moore	6,505,774 B1	1/2003	Fulcher et al.
5,852,411 A	12/1998	Jacobs et al.	D471,238 S	3/2003	Showers et al.
D404,025 S	1/1999	Van Horne et al.	D472,362 S	3/2003	Zerman et al.
5,903,520 A	5/1999	Dee et al.	6,539,370 B1	3/2003	Chang et al.
5,906,260 A	5/1999	Goodrich	6,559,776 B2	5/2003	Katz
5,911,763 A	6/1999	Quesada	6,575,281 B2	6/2003	Lee
D411,848 S	7/1999	Maruska et al.	D477,030 S	7/2003	Kolls et al.
D412,233 S	7/1999	Cajacob et al.	D481,516 S	10/2003	Magee et al.
D412,289 S	7/1999	Winwood	D485,417 S	1/2004	Magee et al.
D413,311 S	8/1999	Blalock	6,697,730 B2	2/2004	Dickerson
5,936,527 A	8/1999	Isaacman et al.	D488,280 S	4/2004	Zerman et al.
5,940,481 A	8/1999	Zeitman	D490,727 S	6/2004	Kido et al.
5,954,182 A	9/1999	Wei	D492,080 S	6/2004	Magee et al.
5,966,345 A	10/1999	Dee et al.	D492,081 S	6/2004	Magee et al.
D419,277 S	1/2000	Ishii et al.	D492,085 S	6/2004	Korte et al.
6,026,946 A	2/2000	McCarty, Jr.	6,747,575 B2	6/2004	Chauvin et al.
			6,763,094 B2	7/2004	Conn et al.
			D494,730 S	8/2004	Magee et al.
			6,791,473 B2	9/2004	Kibria et al.
			RE38,626 E	10/2004	Kielland

(56)

References Cited

U.S. PATENT DOCUMENTS

D497,393	S	10/2004	Herbst	7,594,235	B2	9/2009	Moreau
6,799,387	B2	10/2004	Pippins	D602,225	S	10/2009	Lute et al.
D497,814	S	11/2004	Odinotski et al.	D604,189	S	11/2009	Leer et al.
D498,795	S	11/2004	Nunn	7,617,120	B2	11/2009	Derasmo et al.
6,812,857	B1	11/2004	Kassab et al.	D605,145	S	12/2009	Kellar
6,823,317	B1	11/2004	Ouimet et al.	7,624,919	B2	12/2009	Meek et al.
6,856,922	B1	2/2005	Austin et al.	7,632,419	B1	12/2009	Grimbergen et al.
6,874,340	B1	4/2005	Berman	7,671,803	B2	3/2010	Neill et al.
6,885,311	B2	4/2005	Howard et al.	7,679,526	B2	3/2010	Mardirossian
D505,240	S	5/2005	Swaine et al.	7,699,224	B2	4/2010	Molé
6,889,899	B2	5/2005	Silberberg	D615,274	S	5/2010	Kim et al.
D506,509	S	6/2005	Nunn	D617,799	S	6/2010	Odhe et al.
D506,769	S	6/2005	Asai	7,739,000	B2	6/2010	Kevaler
6,914,411	B2	7/2005	Couch et al.	D620,050	S	7/2010	Hultzman et al.
D508,064	S	8/2005	Ramirez	7,748,620	B2	7/2010	Gomez et al.
6,929,179	B2	8/2005	Fulcher et al.	7,772,720	B2	8/2010	McGee et al.
6,946,974	B1	9/2005	Racunas Jr.	7,780,072	B1	8/2010	Lute et al.
D510,751	S	10/2005	Magee et al.	7,783,530	B2	8/2010	Slemmer et al.
7,004,385	B1	2/2006	Douglass	D624,274	S	9/2010	Pendleton
7,014,355	B2	3/2006	Potter, Sr. et al.	D625,305	S	10/2010	Bleck et al.
7,019,420	B2	3/2006	Kogan et al.	7,806,248	B2	10/2010	Hunter et al.
7,019,670	B2	3/2006	Bahar	D627,814	S	11/2010	Tzeng et al.
7,023,360	B2	4/2006	Staniszewski	7,825,826	B2	11/2010	Welch
7,027,773	B1	4/2006	McMillin	7,854,310	B2	12/2010	King et al.
7,027,808	B2	4/2006	Wesby	7,855,661	B2	12/2010	Ponert
7,028,888	B2	4/2006	Laskowski	7,874,482	B2	1/2011	Mitschele
7,029,167	B1	4/2006	Mitschele	D632,740	S	2/2011	Adeline
D520,883	S	5/2006	Hillard et al.	D634,417	S	3/2011	Abbondanzio et al.
7,040,534	B2	5/2006	Turocy et al.	7,899,583	B2	3/2011	Mendelson
7,043,123	B2	5/2006	Goldberg	7,908,149	B2	3/2011	Dar et al.
D524,834	S	7/2006	Dozier et al.	7,933,841	B2	4/2011	Schmeyer et al.
7,071,839	B2	7/2006	Patel et al.	D645,223	S	9/2011	Bleck et al.
7,104,447	B1	9/2006	Lopez et al.	8,035,533	B2	10/2011	Kavaler
7,114,651	B2	10/2006	Hjelmvik	8,044,139	B2	10/2011	Youn et al.
D535,268	S	1/2007	Holger	D652,329	S	1/2012	MacKay et al.
7,181,426	B2	2/2007	Dutta	D652,872	S	1/2012	Mougin et al.
7,183,999	B2	2/2007	Matthews et al.	D653,014	S	1/2012	Rohan et al.
D538,505	S	3/2007	Kang et al.	D653,420	S	1/2012	Rohan et al.
7,188,070	B2	3/2007	Dar et al.	D653,421	S	1/2012	Rohan et al.
D543,588	S	5/2007	Herbert et al.	D653,424	S	1/2012	Rohan et al.
7,222,031	B2	5/2007	Heatley	D654,816	S	2/2012	MacKay et al.
7,222,782	B2	5/2007	Lute, Jr. et al.	RE43,245	E	3/2012	Ouimet et al.
7,230,545	B2	6/2007	Nath et al.	D655,263	S	3/2012	Tsai
7,237,176	B2	6/2007	Briggs et al.	D656,046	S	3/2012	MacKay et al.
D546,365	S	7/2007	Jost et al.	8,138,950	B1	3/2012	Leung
7,237,716	B2	7/2007	Silberberg	8,144,034	B2	3/2012	Kavaler
7,253,747	B2	8/2007	Noguchi	D659,557	S	5/2012	Jones et al.
7,262,737	B2	8/2007	Zarnowitz et al.	8,184,019	B2	5/2012	Chauvin et al.
7,284,692	B1	10/2007	Douglass	D661,603	S	6/2012	MacKay et al.
D559,792	S	1/2008	Gemme et al.	8,193,540	B2	6/2012	Huang et al.
7,319,974	B1	1/2008	Brusseaux	8,232,894	B2	7/2012	Weiss et al.
7,321,317	B2	1/2008	Nath et al.	8,264,401	B1	9/2012	Kavaler
7,330,131	B2	2/2008	Zanotti et al.	8,279,107	B2	10/2012	Krstanovic et al.
D570,920	S	6/2008	Choi	D672,525	S	12/2012	Lee et al.
7,382,238	B2	6/2008	Kavaler	D674,985	S	1/2013	Lee
7,382,281	B2	6/2008	Kavaler	D677,035	S	2/2013	Lee et al.
7,382,282	B2	6/2008	Kavaler	D677,714	S	3/2013	Helgesson et al.
7,385,484	B2	6/2008	Nath et al.	8,395,532	B2	3/2013	Chauvin et al.
7,388,349	B2	6/2008	Elder et al.	8,402,281	B2	3/2013	Dahl
7,388,517	B2	6/2008	Kavaler	D680,156	S	4/2013	Hernandez et al.
7,391,339	B2	6/2008	Howard et al.	8,417,715	B1	4/2013	Bruckhaus et al.
7,393,134	B2	7/2008	Mitschele	D681,717	S	5/2013	Helgesson et al.
D575,168	S	8/2008	King et al.	8,450,627	B2	5/2013	Mittleman et al.
7,419,091	B1	9/2008	Scanlon	D683,779	S	6/2013	Uemachi et al.
7,427,931	B1	9/2008	Kavaler et al.	D683,794	S	6/2013	Randall
D579,795	S	11/2008	Martinez et al.	D683,795	S	6/2013	Randall
7,445,144	B2	11/2008	Schlabach et al.	D684,745	S	6/2013	Reuter et al.
D582,125	S	12/2008	Kang et al.	D684,870	S	6/2013	Jones et al.
D587,141	S	2/2009	King et al.	8,479,909	B2	7/2013	King et al.
D591,181	S	4/2009	Kanbar	8,487,754	B2	7/2013	Mitschele
7,533,802	B1	5/2009	McGinley et al.	D687,809	S	8/2013	Bergmann et al.
7,554,460	B2	6/2009	Verkleeren et al.	8,513,832	B2	8/2013	Hunter et al.
D596,374	S	7/2009	Kang et al.	D689,554	S	9/2013	Echanove Hernandez
7,558,564	B2	7/2009	Wesby	D690,771	S	10/2013	Randall
7,579,964	B2	8/2009	Nath et al.	D691,165	S	10/2013	Attoma
				8,566,159	B2	10/2013	King et al.
				D692,784	S	11/2013	Anderssen et al.
				D693,983	S	11/2013	Budde et al.
				8,589,216	B2	11/2013	Yu et al.

(56)

References Cited

U.S. PATENT DOCUMENTS

8,590,687 B2	11/2013	King et al.	9,536,370 B2	1/2017	Jones et al.
8,595,054 B2	11/2013	King et al.	D779,771 S	2/2017	King et al.
D696,484 S	12/2013	Lee et al.	D779,772 S	2/2017	King et al.
D696,485 S	12/2013	Lee et al.	D779,773 S	2/2017	King et al.
8,621,245 B2	12/2013	Shearer et al.	D779,774 S	2/2017	King et al.
8,631,921 B2	1/2014	Jones et al.	D781,024 S	3/2017	King et al.
8,662,279 B2	3/2014	Jones et al.	9,661,403 B2	5/2017	King et al.
8,666,801 B2	3/2014	Cho	9,685,027 B2	6/2017	King et al.
D702,913 S	4/2014	Budde et al.	9,692,256 B2	6/2017	Hunter et al.
D702,914 S	4/2014	Budde et al.	9,697,506 B2	7/2017	Jones et al.
8,684,158 B2	4/2014	Jones et al.	D795,523 S	8/2017	King et al.
D705,090 S	5/2014	MacKay et al.	9,728,085 B2	8/2017	Schwarz et al.
8,727,207 B1	5/2014	Church et al.	9,746,954 B2	8/2017	Wyatt et al.
D707,140 S	6/2014	King et al.	9,749,823 B2	8/2017	Rowe et al.
D707,141 S	6/2014	King et al.	9,773,351 B2	9/2017	Hudson et al.
D707,142 S	6/2014	King et al.	9,805,518 B2	10/2017	King et al.
D707,574 S	6/2014	Ku et al.	D802,874 S	11/2017	King et al.
8,749,403 B2	6/2014	King et al.	D802,875 S	11/2017	King et al.
8,770,371 B2	7/2014	MacKay et al.	D802,876 S	11/2017	King et al.
8,770,372 B2	7/2014	Dobbins et al.	D802,877 S	11/2017	King et al.
8,807,317 B2	8/2014	MacKay et al.	D802,878 S	11/2017	King et al.
D714,165 S	9/2014	Salama	D802,878 S	11/2017	King et al.
D716,156 S	10/2014	Jones et al.	9,842,346 B2	12/2017	Fiorucci et al.
D716,157 S	10/2014	MacKay et al.	D813,059 S	3/2018	MacKay et al.
D716,515 S	10/2014	Cha et al.	10,089,814 B2	10/2018	King et al.
8,862,494 B2	10/2014	King et al.	2001/0012241 A1	8/2001	Dee et al.
D716,671 S	11/2014	Jones et al.	2001/0047278 A1	11/2001	Brookner et al.
8,884,785 B2	11/2014	Groft et al.	2001/0051531 A1	12/2001	Singhal et al.
D722,740 S	2/2015	Budde et al.	2002/0008639 A1	1/2002	Dee
D724,290 S	3/2015	Cha et al.	2002/0030606 A1	3/2002	Chauvin et al.
D724,811 S	3/2015	Reitinger	2002/0062172 A1	5/2002	Bench
D724,812 S	3/2015	Cha et al.	2002/0074344 A1	6/2002	Long et al.
D728,190 S	4/2015	Sheley	2002/0080013 A1	6/2002	Anderson, III et al.
9,002,723 B2	4/2015	King et al.	2002/0111768 A1	8/2002	Ghorayeb et al.
9,047,712 B2	6/2015	King et al.	2002/0134645 A1	9/2002	Alexander et al.
D733,585 S	7/2015	Jones et al.	2003/0010821 A1	1/2003	Silberberg
D735,437 S	7/2015	Randall	2003/0017904 A1	1/2003	Lee
D735,438 S	7/2015	Randall	2003/0092387 A1	5/2003	Hjelmvik
D735,439 S	7/2015	Randall	2003/0112151 A1	6/2003	Chauvin et al.
D735,440 S	7/2015	Randall	2003/0112597 A1	6/2003	Smith
D735,963 S	8/2015	Randall	2003/0117904 A1	6/2003	Lank et al.
D735,964 S	8/2015	Randall	2003/0121754 A1	7/2003	King
D735,965 S	8/2015	Randall	2003/0128010 A1	7/2003	Hsu
D739,637 S	9/2015	Randall	2003/0128136 A1	7/2003	Spier et al.
D739,638 S	9/2015	Randall	2003/0132840 A1	7/2003	Bahar
D739,639 S	9/2015	Randall	2003/0135407 A1	7/2003	Reinhardt et al.
9,123,184 B2	9/2015	Jones et al.	2003/0140531 A1	7/2003	Pippins
9,127,964 B2	9/2015	Schwarz et al.	2003/0144905 A1	7/2003	Smith
9,147,345 B2	9/2015	Agrait et al.	2003/0144972 A1	7/2003	Cordery et al.
D742,090 S	10/2015	Randall	2003/0169183 A1	9/2003	Korepanov et al.
9,159,080 B2	10/2015	Fiorucci et al.	2003/0179107 A1	9/2003	Kibria et al.
D742,371 S *	11/2015	Bopp D14/336	2003/0220835 A1	11/2003	Barnes, Jr.
9,196,097 B2	11/2015	Jones et al.	2003/0222792 A1	12/2003	Berman et al.
D746,015 S	12/2015	King et al.	2003/0234888 A1	12/2003	Hong et al.
D746,704 S *	1/2016	Jones D10/42	2004/0011099 A1	1/2004	Andersson
D748,364 S	1/2016	King et al.	2004/0016796 A1	1/2004	Hanna et al.
D748,888 S	2/2016	King et al.	2004/0039632 A1	2/2004	Han et al.
D749,000 S	2/2016	King et al.	2004/0040028 A1	2/2004	Moreau
9,269,216 B2	2/2016	Keilwert	2004/0068434 A1	4/2004	Kanekon
D750,513 S	3/2016	King et al.	2004/0084278 A1	5/2004	Harris et al.
D750,978 S *	3/2016	van Slooten D10/41	2004/0094619 A1	5/2004	Silberberg
D752,552 S	3/2016	D'Ascanio et al.	2004/0160905 A1	8/2004	Bernier et al.
D755,649 S	5/2016	King et al.	2004/0181496 A1	9/2004	Odinotski et al.
D755,650 S	5/2016	King et al.	2004/0232878 A1	11/2004	Couch et al.
D756,807 S	5/2016	King et al.	2004/0243526 A1	12/2004	Krygler et al.
D756,808 S	5/2016	King et al.	2004/0254840 A1	12/2004	Slemmer et al.
D762,040 S	7/2016	King et al.	2004/0254900 A1	12/2004	Reinhard
9,391,474 B2	7/2016	Hunter et al.	2004/0262379 A1	12/2004	Gomes
9,424,691 B2	8/2016	King et al.	2004/0263117 A1	12/2004	Kogan et al.
9,437,050 B2	9/2016	Hilton et al.	2004/0264302 A1	12/2004	Ward, II
9,489,776 B2	11/2016	Keller et al.	2005/0029340 A1	2/2005	Ferraro
9,494,922 B2	11/2016	MacKay et al.	2005/0035740 A1	2/2005	Elder et al.
9,508,198 B1	11/2016	King et al.	2005/0040951 A1	2/2005	Zalewski et al.
9,524,498 B2	12/2016	Jones et al.	2005/0068201 A1	3/2005	Wulff et al.
9,536,235 B2	1/2017	Jones et al.	2005/0099320 A1	5/2005	Nath et al.
			2005/0102075 A1	5/2005	Dar et al.
			2005/0155839 A1	7/2005	Banks et al.
			2005/0168352 A1	8/2005	Tomer
			2005/0178639 A1	8/2005	Brumfield et al.
			2005/0192911 A1	9/2005	Mattern

(56)

References Cited

U.S. PATENT DOCUMENTS

2005/0216354	A1	9/2005	Bam et al.	2010/0026522	A1	2/2010	Ward, II
2005/0226201	A1	10/2005	McMillin	2010/0030629	A1	2/2010	Ward, II
2006/0020487	A1	1/2006	Spittel et al.	2010/0106517	A1	4/2010	Kociubinski et al.
2006/0021848	A1	2/2006	Smith	2010/0116883	A1	5/2010	Cost et al.
2006/0114159	A1	6/2006	Yoshikawa et al.	2010/0153193	A1	6/2010	Ashby et al.
2006/0116972	A1	6/2006	Wong	2010/0161489	A1	6/2010	Goodall et al.
2006/0136131	A1	6/2006	Dugan et al.	2010/0187300	A1	7/2010	Ramachandran et al.
2006/0149684	A1	7/2006	Matsuura et al.	2010/0188932	A1	7/2010	Hanks et al.
2006/0152349	A1	7/2006	Ratnakar	2010/0224682	A1	9/2010	Busch-Sorensen
2006/0152385	A1	7/2006	Mandy	2010/0241564	A1	9/2010	Miller et al.
2006/0173733	A1	8/2006	Fancher	2010/0243729	A1	9/2010	Russell et al.
2006/0255119	A1	11/2006	Marchasin et al.	2010/0328104	A1	12/2010	Groft
2006/0259354	A1	11/2006	Yan	2010/0332394	A1	12/2010	Ioli
2006/0267799	A1	11/2006	Mendelson	2011/0022427	A1	1/2011	Dayan
2007/0011700	A1	1/2007	Johnson	2011/0037562	A1	2/2011	Braukmann et al.
2007/0016539	A1	1/2007	Groft et al.	2011/0057815	A1	3/2011	King et al.
2007/0017265	A1	1/2007	Andersson	2011/0060653	A1	3/2011	King et al.
2007/0029825	A1	2/2007	Franklin et al.	2011/0062230	A1	3/2011	Ward, II et al.
2007/0040449	A1	2/2007	Spurlin et al.	2011/0063133	A1	3/2011	Keller et al.
2007/0044523	A1	3/2007	Davis	2011/0066297	A1	3/2011	Saberi et al.
2007/0046651	A1	3/2007	Sinclair et al.	2011/0093314	A1	4/2011	Redmann et al.
2007/0061155	A1	3/2007	Ji et al.	2011/0122036	A1	5/2011	Leung et al.
2007/0074702	A1	4/2007	Nakamura et al.	2011/0133613	A1	6/2011	Descamps et al.
2007/0094153	A1	4/2007	Ferraro	2011/0158331	A1	6/2011	Kavaler et al.
2007/0114849	A1	5/2007	Falik et al.	2011/0203901	A1	8/2011	King et al.
2007/0119682	A1	5/2007	Banks et al.	2011/0205087	A1	8/2011	Kell et al.
2007/0129974	A1	6/2007	Chen et al.	2011/0218940	A1	9/2011	Bergstrom et al.
2007/0136128	A1	6/2007	Janacek et al.	2011/0221624	A1	9/2011	Kavaler
2007/0171069	A1	7/2007	Allen	2011/0241442	A1	10/2011	Mittleman et al.
2007/0184852	A1	8/2007	Johnson et al.	2011/0261548	A1	10/2011	Gandhi
2007/0189907	A1	8/2007	Kunihiro et al.	2011/0276519	A1	11/2011	MacKay et al.
2007/0208499	A1	9/2007	Kwong	2011/0313822	A1	12/2011	Burdick
2007/0210935	A1	9/2007	Yost	2011/0316716	A1	12/2011	MacKay et al.
2007/0276724	A1	11/2007	Cat	2011/0320243	A1	12/2011	Khan
2007/0285281	A1	12/2007	Welch	2011/0320256	A1	12/2011	Fiorucci et al.
2008/0052254	A1	2/2008	Al Amri	2012/0026015	A1	2/2012	Kavaler
2008/0071611	A1	3/2008	Lovett	2012/0078686	A1	3/2012	Bashani
2008/0093454	A1	4/2008	Yamazaki et al.	2012/0084210	A1	4/2012	Farahmand
2008/0147268	A1	6/2008	Fuller	2012/0158466	A1	6/2012	John
2008/0158010	A1	7/2008	Nath et al.	2012/0173171	A1	7/2012	Bajwa et al.
2008/0165030	A1	7/2008	Kuo et al.	2012/0208521	A1	8/2012	Häger et al.
2008/0208680	A1	8/2008	Cho	2012/0222935	A1	9/2012	MacKay et al.
2008/0218383	A1	9/2008	Franklin et al.	2012/0254040	A1	10/2012	Dixon et al.
2008/0238715	A1	10/2008	Cheng	2012/0273322	A1	11/2012	MacKay et al.
2008/0245638	A1	10/2008	King et al.	2012/0285790	A1	11/2012	Jones et al.
2008/0257965	A1	10/2008	Klein et al.	2012/0285791	A1	11/2012	Jones et al.
2008/0265019	A1	10/2008	Artino et al.	2012/0285792	A1	11/2012	Jones et al.
2008/0266138	A1	10/2008	Ponert	2012/0285793	A1	11/2012	Jones et al.
2008/0270227	A1	10/2008	Al Amri	2012/0286036	A1	11/2012	Jones et al.
2008/0277468	A1	11/2008	Mitschele	2012/0286968	A1	11/2012	Jones et al.
2008/0289030	A1	11/2008	Poplett	2012/0292385	A1	11/2012	MacKay et al.
2008/0291054	A1	11/2008	Groft	2013/0005445	A1	1/2013	Walker et al.
2008/0296365	A1	12/2008	Schliebe	2013/0016952	A1	1/2013	Knuth
2008/0319837	A1	12/2008	Mitschele	2013/0021201	A1	1/2013	del Castillo et al.
2009/0026842	A1	1/2009	Hunter et al.	2013/0027218	A1	1/2013	Schwarz et al.
2009/0032368	A1	2/2009	Hunter et al.	2013/0085928	A1	4/2013	McKinney
2009/0049875	A1	2/2009	Buhl et al.	2013/0086375	A1	4/2013	Lyne et al.
2009/0057398	A1	3/2009	Douglass et al.	2013/0099943	A1	4/2013	Subramanya
2009/0083149	A1	3/2009	Maekawa et al.	2013/0124270	A1	5/2013	Tziperman et al.
2009/0095593	A1	4/2009	King et al.	2013/0238406	A1	9/2013	King et al.
2009/0099761	A1	4/2009	Davis et al.	2013/0285455	A1	10/2013	Hunter et al.
2009/0102726	A1	4/2009	Imano et al.	2014/0040028	A1	2/2014	King et al.
2009/0109062	A1	4/2009	An	2014/0058805	A1	2/2014	Paesler et al.
2009/0137204	A1	5/2009	Chang	2014/0108107	A1	4/2014	Jones et al.
2009/0159674	A1	6/2009	King et al.	2014/0129158	A1	5/2014	Shea
2009/0183966	A1	7/2009	King et al.	2014/0172518	A1	6/2014	King et al.
2009/0192950	A1	7/2009	King et al.	2014/0174881	A1	6/2014	King et al.
2009/0199966	A1	9/2009	Coleman et al.	2014/0210646	A1	7/2014	Subramanya
2009/0254438	A1	10/2009	Johnson, Jr. et al.	2014/0213176	A1	7/2014	Mendelson
2009/0267732	A1	10/2009	Chauvin et al.	2014/0214499	A1	7/2014	Hudson et al.
2009/0284907	A1	11/2009	Regimbal et al.	2014/0214500	A1	7/2014	Hudson et al.
2009/0287578	A1	11/2009	Paluszek et al.	2014/0218527	A1	8/2014	Subramanya
2009/0315720	A1	12/2009	Clement et al.	2014/0229246	A1	8/2014	Ghaffari
2010/0019936	A1	1/2010	Kaveler	2014/0231505	A1	8/2014	King et al.
2010/0025459	A1	2/2010	Yamada	2014/0279565	A1	9/2014	Trump et al.
				2014/0289025	A1	9/2014	King et al.
				2014/0319211	A1	10/2014	MacKay et al.
				2015/0084786	A1	3/2015	King et al.
				2015/0106172	A1	4/2015	Salama

(56)

References Cited

U.S. PATENT DOCUMENTS

2015/0160761	A1	6/2015	Lee et al.	CA	D155383	5/2015
2015/0235503	A1	8/2015	King et al.	CA	D155391	5/2015
2015/0288932	A1	10/2015	Smith et al.	CA	D156990	5/2015
2015/0371483	A1	12/2015	Sun	CA	D156991	5/2015
2016/0012418	A1	1/2016	MacKay et al.	CA	D156992	5/2015
2016/0163119	A1	6/2016	Bashani	CA	D156993	5/2015
2016/0268838	A1	9/2016	Hunter et al.	CA	D156994	5/2015
2016/0321714	A1	11/2016	King et al.	CA	D156995	5/2015
2016/0371915	A1	12/2016	MacKay et al.	CA	D157067	5/2015
2017/0031464	A1	2/2017	Montero	CA	D157068	5/2015
2017/0034600	A1	2/2017	King et al.	CA	D157069	5/2015
2017/0083043	A1	3/2017	Bowers et al.	CA	D161049	10/2015
2017/0098339	A1	4/2017	Keller et al.	CA	2622164	11/2015
2017/0116857	A1	4/2017	Moran et al.	CA	2773132	11/2015
2017/0148230	A1	5/2017	Richard	CA	D160598	2/2016
2017/0154368	A1	6/2017	Jones et al.	CA	D163369	2/2016
2017/0168155	A1	6/2017	Richard	CA	D163370	2/2016
2017/0193734	A1	7/2017	King et al.	CA	2900177	11/2017
2017/0206716	A1	7/2017	King et al.	CA	2908793	11/2017
2017/0256983	A1	9/2017	Hunter et al.	CA	2932667	11/2017
2017/0323227	A1	11/2017	Sadeghi	CA	D171649	11/2017
2017/0323513	A1	11/2017	Jones et al.	CA	D171650	11/2017
2017/0325082	A1	11/2017	Rowe et al.	CA	D171651	11/2017
2018/0025546	A1	1/2018	King et al.	CA	D171652	11/2017
2018/0025549	A1	1/2018	King et al.	CA	D171653	11/2017
2018/0025550	A1	1/2018	Hudson et al.	CA	D171654	11/2017
2018/0025629	A1	1/2018	Schwarz et al.	CA	2650195	1/2018
2018/0068337	A1	3/2018	Fiorucci et al.	CN	1037604	11/1989
2018/0082488	A1	3/2018	King et al.	CN	2395344	9/2000
2018/0082489	A1	3/2018	King et al.	CN	2470887	1/2002
2018/0082490	A1	3/2018	King et al.	CN	2544352	4/2003
2018/0322534	A1	11/2018	King et al.	CN	1549990	11/2004
				CN	2022-17169	5/2012
				DE	2804085	A1 8/1978
				DE	2750193	C2 10/1982
				DE	102005041290	A1 3/2007
				EM	004415164-0001	10/2017
				EM	004415164-0002	10/2017
				EM	004415164-0003	10/2017
				EM	004415164-0004	10/2017
				EM	004415164-0005	10/2017
				EM	004415164-0006	10/2017
				EP	265328	4/1988
				EP	329129	A3 8/1989
				EP	933288	8/1999
				EP	980055	A1 2/2000
				EP	1128350	B1 8/2001
				EP	1327962	A2 7/2003
				EP	1376491	A1 1/2004
				EP	1748393	A1 1/2007
				EP	1898360	A1 12/2008
				EP	2215605	BI 8/2012
				EP	2416206001	3/2014
				EP	2416206002	3/2014
				EP	2416206003	3/2014
				EP	2479352001	10/2014
				EP	2479352002	10/2014
				EP	2479352003	10/2014
				EP	2479360001	10/2014
				EP	2479360002	10/2014
				EP	2479360003	10/2014
				EP	24794280001	10/2014
				EP	24794280002	10/2014
				EP	24794280003	10/2014
				EP	34621830002	11/2014
				EP	34621830003	11/2014
				EP	34621830004	11/2014
				EP	34621830005	11/2014
				EP	34621830006	11/2014
				EP	30767020001	4/2016
				EP	30767020002	4/2016
				EP	30767020003	4/2016
				EP	30767020004	4/2016
				EP	30767020005	4/2016
				EP	30767020006	4/2016
				EP	34621830001	11/2016
				FR	2837583	A1 9/2003
				GB	1237579	12/1967
				GB	1283555	7/1972

FOREIGN PATENT DOCUMENTS

AU	2006203554	A1	9/2006
AU	D314132	S	5/2007
AU	D315845	S	8/2007
AU	D315846	S	8/2007
AU	D315847	S	8/2007
BR	7602399		10/1998
CA	2233931		7/1997
CA	2260925		1/1998
CA	2346908		4/2000
CA	2352968		4/2001
CA	2401429		9/2001
CA	2377010		10/2001
CA	2357179		3/2002
CA	2227833		8/2002
CA	2437722		8/2002
CA	2363915		5/2003
CA	2413198		5/2003
CA	2414132		6/2003
CA	2302922		1/2004
CA	2453369		1/2004
CA	2443677		10/2004
CA	2248347		4/2005
CA	2511461		2/2007
CA	2631699		6/2007
CA	2595309		7/2007
CA	D122930		9/2008
CA	D126745		9/2008
CA	2693911		1/2009
CA	2650192		7/2009
CA	2650195		7/2009
CA	2933066		7/2009
CA	2387540		4/2010
CA	D134041		9/2010
CA	D134042		9/2010
CA	2773135		3/2011
CA	2770093		5/2012
CA	2870544		5/2012
CA	2870592		5/2012
CA	2773250		9/2012
CA	D155382		5/2015

(56)

References Cited

FOREIGN PATENT DOCUMENTS

GB	1431862	4/1976
GB	2077475	12/1981
GB	2155228	9/1985
GB	2284919	6/1995
GB	2298510	4/1996
IL	149880	6/2007
JP	S5259000	5/1977
JP	S58121494	7/1983
JP	S6437661	2/1989
JP	1165494	6/1989
JP	1303026	12/1989
JP	H0261711	3/1990
JP	H0487533	3/1992
JP	2000286936	10/2000
JP	2002074430	3/2002
JP	2002099640	4/2002
JP	2002528799	9/2002
JP	2003527701	9/2003
JP	2005242888	9/2005
JP	2005267430	9/2005
JP	2007052773	3/2007
JP	2008305998	12/2008
JP	201160206	10/2012
KR	20000016671	3/2000
KR	20010028481	4/2001
KR	20050038077	4/2005
KR	20080026282	3/2008
KR	20080041730	5/2008
MX	2008007047	8/2008
NZ	530606	11/2006
WO	198100778 A1	3/1981
WO	199520204 A1	7/1995
WO	199611453 A1	4/1996
WO	199712345 A1	4/1997
WO	199737328 A1	10/1997
WO	199804080 A1	1/1998
WO	200059201 A1	10/2000
WO	2001024127	4/2001
WO	200169541 A1	9/2001
WO	200180157 A1	10/2001
WO	2002063570 A2	8/2002
WO	03/005324	1/2003
WO	03005324 A1	1/2003
WO	2003009238 A1	1/2003
WO	2004012352 A1	2/2004
WO	2005/027035	3/2005
WO	2005031494 A2	4/2005
WO	2006076773 A1	7/2006
WO	2006095352 A2	9/2006
WO	2007063530 A2	6/2007
WO	2009009854 A1	1/2009
WO	2009154787 A2	12/2009
WO	2010008610 A2	1/2010
WO	2010071974 A1	7/2010
WO	2011029061 A2	3/2011
WO	2011029062 A2	3/2011
WO	2012015453 A1	2/2012
WO	2012092609 A2	7/2012
WO	2012154902 A1	11/2012
WO	2012154913 A2	11/2012
WO	2013016453 A2	1/2013
WO	2013049418 A2	4/2013
WO	2014014494 A1	1/2014
WO	2017024396	2/2017
WO	2017024397	2/2017

OTHER PUBLICATIONS

Office Action issued in U.S. Appl. No. 08/418,018 dated Jan. 17, 1997.
Office Action issued in U.S. Appl. No. 08/418,018 dated Jul. 25, 1997.
Office Action issued in U.S. Appl. No. 13/141,983 dated Jun. 14, 2013.

Office Action issued in U.S. Appl. No. 13/141,983 dated Oct. 22, 2013.
Office Action issued in U.S. Appl. No. 13/529,914 dated Jun. 21, 2013.
Office Action issued in U.S. Appl. No. 13/529,914 dated Sep. 27, 2013.
Office Action issued in U.S. Appl. No. 14/094,382 dated Aug. 5, 2014.
Office Action issued in U.S. Appl. No. 14/094,382 dated Dec. 26, 2014.
Office Action issued in U.S. Appl. No. 14/094,382 dated Mar. 24, 2015.
Design U.S. Appl. No. 29/466,267, filed Sep. 5, 2013 (19 pgs).
Design U.S. Appl. No. 29/477,196, filed Dec. 19, 2013 (21 pgs).
Design U.S. Appl. No. 29/466,268, filed Sep. 5, 2013 (19 pgs).
Design U.S. Appl. No. 29/466,269, filed Sep. 5, 2013 (19 pgs).
Design U.S. Appl. No. 29/477,176, filed Dec. 19, 2013 (24 pgs).
Design U.S. Appl. No. 29/477,339, filed Dec. 20, 2013 (21 pgs).
Design U.S. Appl. No. 29/477,195, filed Dec. 19, 2013 (21 pgs).
Design U.S. Appl. No. 29/477,402, filed Dec. 20, 2013 (24 pgs).
Design U.S. Appl. No. 29/477,405, filed Dec. 20, 2013 (24 pgs).
Design U.S. Appl. No. 29/520,918, filed Mar. 18, 2015 (23 pgs).
“CWT Max Single/Dual Space Meter—Technical Data,” Cale America, May 18, 2016 (4 pgs).
Final written decision of U.S. Pat. No. 7,854,310, Case No. IPR2016-00067, dated Mar. 27, 2017 (19 pgs).
“Max Dual Space Meter”, Cale America, Jun. 25, 2015.
Notice of Allowance issued in U.S. Appl. No. 15/220,228 dated Aug. 4, 2017.
Notice of Allowance issued in U.S. Appl. No. 14/864,170 dated Aug. 3, 2017.
Official Action issued in U.S. Appl. No. 15/160,646 dated Apr. 14, 2017.
Official Action issued in U.S. Appl. No. 15/802,298 dated Apr. 2, 2017.
U.S. Appl. No. 15/474,773, filed Mar. 30, 2017 (Grant U.S. Pat. No. 9,805,518 issued Oct. 31, 2017).
Photo Violation Technologies Corp. Press Releases, Jul. 18, 2005-Jan. 17, 2006 (9 pages).
Photo Violation Technologies Corp., <https://web.archive.org/web/20131118213440/http://photoviolationmeter.com>, Nov. 18, 2013 (8 pages).
Kienzle, meter photograph, pre-Mar. 2011 (1 pg).
Photo Violation Technologies Corp., <https://web.archive.org/web/2004041225217/http://photoviolationmeter.com>, Apr. 1, 2004 (5 pages).
PhotoViolationMeter Pamphlet, Jan. 18, 2006 (2 pgs).
The Patented PhotoViolationMeter Solution book view, Mar. 28, 2006 (12 pgs).
The PhotoViolationMeter Case Study, Photo Violation Technologies Corp., Dec. 15, 2005 (4 pages).
YouTube video, “The PhotoViolationMeter TM” https://www.youtube.com/watch?v=YEFuebwn_Y; Dec. 15, 2006.
Duncan Solutions, Eagle CK Single-Space Meter Mechanism Brochure, believed to be commercially available before May 10, 2010 (2 pgs).
Duncan Solutions, Eagle 2100 Single-Space Meter Mechanism Brochure, believed to be commercially available before May 10, 2010 (2 pgs).
Duncan Solutions, Parking and Enforcement From Start to Finish, Intermec CN50, available at <http://www.duncansolutions.com/intermecCN50.html>, believed to be commercially available before May 10, 2010 (2 pgs).
Duncan Solutions, Parking and Enforcement from Start to Finish, Motorola MC75, available at <http://www.duncansolutions.com/motorolamc75.html>, believed to be commercially available before May 10, 2010 (1 pg).
Duncan Solutions, VM/VS Pay-by-Space Multi-Space Meter Brochure, available at <http://www.duncansolutions.compdfs/vm.pdf>, believed to be commercially available before May 10, 2010 (2 pgs).
Duncan Solutions, AutoCITE X3 Handheld Computer Brochure, available at <http://www.duncansolutions.compdfs/x3.pdf>, believed to be commercially available before May 10, 2010 (2 pgs).

(56)

References Cited

OTHER PUBLICATIONS

AutoISSUE, Automated Citation Issuance System Brochure, dated prior to Jun. 15, 2015, Cardinal Tracking Inc. (2 pgs).

Duncan Solutions, AutoTRAX Meter Management System Brochure, believed to be commercially available before May 10, 2010 (2 pgs).

Anonymous, "Happy Anniversary, First Parking Meter Installed Jul. 16, 1935," The Expired Meter News, Views, Information on Driving in Chicago, Jul. 16, 2009 (10 pgs).

"Parking Meter Patented 72 Years Ago Today", the expiredmeter.com, May 24, 2010(Exhibit 1019) (6 pgs).

POM Parking Meters, Webpage, Oct. 20, 2015 (Exhibit 1038) (4 pgs).

Patent Owner's Preliminary Response (IPR2016-01144) dated Sep. 8, 2016 (58 pgs).

Patent Owner's Preliminary Response (IPR2016-01145) dated Sep. 8, 2016 (52 pgs).

Patent Owner Response (IPR2016-00067) dated Jul. 12, 2016 (32 pgs).

IPS Group Inc. Preliminary Response to Review of U.S. Pat. No. 7,854,310 (IPR2016-00067) dated Jan. 29, 2016 (38 pgs).

Scheduling Order re: U.S. Pat. No. 7,854,310 (IPR2016-00067) dated Mar. 30, 2016 (9 pgs).

IPS Group Inc. Preliminary Response to Review of U.S. Pat. No. 7,854,310 (IPR2016-00068) dated Feb. 1, 2016 (48 pgs).

IPS Group Inc. Preliminary Response to Review of U.S. Pat. No. 8,595,054 (IPR2016-00069) dated Feb. 1, 2016 (48 pgs).

IPS Group Inc. Preliminary Response to Review of U.S. Pat. No. 8,595,054 (IPR2016-00070) dated Feb. 1, 2016 (49 pgs).

IPS Group Inc. Mandatory Notice re: U.S. Pat. No. 7,854,310 (IPR2016-00067) dated Nov. 6, 2015 (4 pgs).

Petition for Inter Partes Review of U.S. Pat. No. 7,854,310, Jun. 3, 2016 (70 pgs).

Petition for Inter Partes Review of U.S. Pat. No. 8,595,054, Jun. 3, 2016 (79 pgs).

Petition for Inter Partes Review of U.S. Pat. No. 7,854,310, Oct. 22, 2015 (66 pgs).

Petition for Inter Partes Review of U.S. Pat. No. 8,595,054, Oct. 22, 2015 (67 pgs).

Petition for Inter Partes Review of U.S. Pat. No. 8,595,054, Oct. 22, 2015 (61 pgs).

Decision Denying Institution of Inter Partes Review dated Mar. 30, 2016 of U.S. Pat. No. 7,854,310 (IPR2016-00068) (13 pgs).

Decision Denying Inter Partes Review dated Apr. 1, 2016 of U.S. Pat. No. 8,595,054 (IPR2016-00070) (17 pgs).

Decision Denying Inter Partes Review dated Apr. 1, 2016 of U.S. Pat. No. 8,595,054 (IPR2016-00069) (13 pgs).

Decision Granting Institution of Inter Partes Review dated Mar. 30, 2016 of U.S. Pat. No. 7,854,310 (IPR2016-00067) (19 pgs).

Declaration of Todd Magness in Support of Petition for Inter Partes Review of U.S. Pat. No. 7,854,310 (Exhibit 1003) (70 pgs).

Declaration of Anderson Moore in Support of Petition for Inter Partes Review of U.S. Pat. No. 8,595,054 (Exhibit 1004) (19 pgs).

Digital Payment Technologies—Luke brochure, dated prior to Jun. 15, 2015 (4 pages).

Exhibit 2002—Rochester Institute of Technology's Digital Media Library (RIT DML) "About" section.

Exhibit 2003—The United States Conference of Mayors, "Los Angeles, New Orleans, Elizabeth, NJ and Long Beach, CA Honored for Excellence & Innovation in Public-Private Partnerships" dated Jan. 20, 2012 (2 pgs).

Exhibit 2004—City of Los Angeles Inter-Departmental Correspondence, "Card & Coin Parking Meter Lease" dated Nov. 29, 2010 (4 pgs).

Exhibit 2005—City of Culver City, California Agenda Item Report, "Approval of a Contract with IPS Group Inc., for the Sole-Source Purchase of 1,000 Parking Meters" dated Dec. 11, 2012 (3 pgs).

Exhibit 2006—City of San Luis Obispo City Manager Report, "Award of Credit Card Meters and Service Contract, RFP Specification No. 91137" dated Jan. 20, 2012 (5 pgs).

Exhibit 2007—City of Walnut Creek Transportation Commission Staff Report, "Alternate Downtown Parking Pay Technology" dated Oct. 20, 2011 (4 pgs).

Exhibit 2008—"How M2M Maximizes Denver's Revenue" dated Oct. 2011 (4 pgs).

Exhibit 2009—Somerville, MA "T&P Introduces User-Friendly Parking Meters & Service Upgrades with Electronic Meter Pilot" dated Apr. 19, 2011 (2 pgs).

Duncan Solutions—AutoCITE brochure, 2013, (2pgs).

Transcript & Screenshot of Photo Violation Technologies Corp.—"ParkCardMeter™ System," (Jun. 2015) (6 pages).

Transcript & Screenshot of Photo Violation Technologies Corp.—"PhotoViolationHandHeldUnit™" Jun. 2015 (6 pages).

Transcript & Screenshot of Photo Violation Technologies Corp.—"The PBS Solution," Jun. 2015 (10 pages).

Transcript & Screenshot of Photo Violation Technologies Corp.—"The PVM Solution," Jun. 2015 (17 pages).

Video link, "ParkCardMeter™ System," <https://web.archive.org/web/20080222104246/http://www.photoviolation.com/videos/PCM.wmv>, Photo Violation Technologies Corp. Jun. 2015.

Video link, "PhotoViolationHandHeldUnit™," <https://web.archive.org/web/20080222104246/http://www.photoviolation.com/videos/HHU.wmv>, Photo Violation Technologies Corp. Jun. 2015.

Video link, "The PBS Solution," <https://web.archive.org/web/20080222104246/http://www.photoviolation.com/videos/PBS.wmv>, Photo Violation Technologies Corp. Jun. 2015.

Video link, "The PVM Solution," <https://web.archive.org/web/20080222104246/http://www.photoviolation.com/videos/PVM.wmv>, Photo Violation Technologies Corp. Jun. 2015.

C03-0555 MacKay Custodian Multi-Space Machine—Configuration Guide, May 2005 (184 pgs).

Supplementary European Search Report EP 07 78 4953, Jul. 1, 2010 (1 pg).

U.S. Appl. No. 60/741,920, filed Dec. 2, 2005, 20 pages(Exhibit 1005).

U.S. Appl. No. 61/048,133, filed Apr. 25, 2008 (33 pgs).

U.S. Appl. No. 61/022,213, filed Jan. 18, 2008 (9 pgs).

U.S. Appl. No. 61/359,137, filed Jun. 28, 2010 (26 pgs).

Anonymous, "Improved Clarity Polycarbonate (PC) Resins used in liniLED PU", Sep. 26, 2016 (1 pg).

Design U.S. Appl. No. 29/521,401, filed Mar. 23, 2015 (24 pgs).

Schuering, K.—"Weatherable PC applications expand" Sep. 26, 2016 (2 pgs).

Canadian Office Action issued for related application No. 2,745,365, dated Aug. 26, 2011 (4 pgs).

Canadian Office Action issued for related application No. 2,745,365 dated Mar. 1, 2012 (6 pgs).

Canadian Office Action issued for related application No. 2,745,365 dated Jun. 5, 2012 (2 pgs).

Canadian Office Action issued for related application No. 2,745,365 dated Jul. 4, 2012 (2 pgs).

Canadian Office Action issued for related application No. 2,745,368 dated Aug. 4, 2011 (2 pgs).

Canadian Office Action issued for related application No. 2,745,368 dated Nov. 1, 2011 (3 pgs).

Canadian Office Action issued for related application No. 2,770,093 dated Oct. 29, 2012 (2 pgs).

Canadian Office Action issued for related application No. 2,770,093 dated Apr. 10, 2013 (2 pgs).

Canadian Office Action issued for related application No. 2,770,093 dated Jun. 11, 2014 (2 pgs).

Canadian Office Action issued for related application No. 2,770,093 dated Oct. 15, 2014 (3 pgs).

Canadian Office Action issued for related application No. 2,773,250 dated Mar. 26, 2015 (10 pgs).

Canadian Office Action issued for related application No. 2,773,250 dated Jun. 20, 2013 (3 pgs).

Canadian Office Action issued for related application No. 2,773,250 dated Jun. 30, 2014 (3 pgs).

Canadian Office Action issued for related application No. 2,773,250 dated Mar. 12, 2014 (5 pgs).

Canadian Office Action issued for related application No. 2,773,250 dated Nov. 12, 2014 (10 pgs).

(56)

References Cited

OTHER PUBLICATIONS

- Canadian Office Action issued for related application No. 2,773,250 dated Oct. 7, 2013 (4 pgs).
- Canadian Office Action issued for related application No. 2,870,544 dated Jan. 19, 2015 (5 pgs).
- Canadian Office Action issued for related application No. 2,870,2015 dated Oct. 15, 2015 (6 pgs).
- Canadian Office Action issued for related application No. 2,770,093 dated Jul. 5, 2012 (5 pgs).
- International Search Report & Written Opinion, PCT/CA2012/000191 dated Jun. 20, 2012 (6 pgs).
- International Search Report, PCT/CA2012/000191 dated Jun. 20, 2012 (3 pgs).
- International Search Report, PCT/CA216/050927 dated Nov. 25, 2016 (14 pgs).
- International Search Report & Written Opinion, PCT/CA2016/050928 dated Oct. 12, 2016 (12 pgs).
- International Search Report, PCT/US2012/037205 dated Oct. 4, 2012 (3 pgs).
- International Search Report, PCT/US2012/037229 dated Jan. 28, 2013 (6 pgs).
- International Search Report, PCT/CA2007/001266 dated Apr. 21, 2008 (3 pgs).
- International Search Report, PCT/CA2009/001058 dated Nov. 12, 2009 (5 pgs).
- International Search Report, PCT/CA2009/001657 dated Feb. 17, 2010 (3 pgs).
- International Search Report, PCT/IB2006/054574 dated Oct. 27, 2008 (3 pgs).
- International Search Report, PCT/US2010/047906 dated Mar. 30, 2011 (3 pgs).
- International Search Report, PCT/US2010/047907 dated Apr. 26, 2011 (3 pgs).
- International Search Report, PCT/US2012/048190 dated Jan. 22, 2013 (3 pgs).
- International Search Report, PCT/US2013/021201 dated Apr. 30, 2013 (3 pgs).
- International Preliminary Report on Patentability, PCT/CA2012/000191 dated Sep. 12, 2013 (7 pgs).
- International Preliminary Report on Patentability, PCT/IB2006/054574 dated Mar. 10, 2009 (5 pgs).
- International Preliminary Report on Patentability, PCT/US2010/047906 dated Mar. 6, 2012 (5 pgs).
- International Preliminary Report on Patentability, PCT/US2010/047907 dated Mar. 15, 2012 (5 pgs).
- American Metal Market, Metal Working News, "Electronic Models Create Battle of Parking Meters", Sep. 29, 1986 (Exhibit 1015) (1 pg).
- Good Morning America transcript from Nov. 6, 1986 (Exhibit 1012) (3 pgs).
- Lansing State Journal, "Chaning Times", Feb. 19, 1987 (Exhibit 1014) (1 pg).
- The San Diego Union, "New parking meters based on computer", Feb. 1, 1987 (Exhibit 1011) (1 pg).
- Byrd, Dennis—The Los Angeles Times, "Parking Meter Manufacturer Sees Bright Future for New Sun-Powered Devices", May 14, 1989 (2 pgs).
- Christian, Sue Ellen—The Chicago Tribune, "Parking Meter Winding Up for Computer Age", May 19, 1996 (Exhibit 1010) (6 pgs).
- Spyker et al., "Predicting Capacitor Run Time for a Battery/Capacitor Hybrid Source", Power Electronic Systems for Industrial Growth, Dec. 1998 International Conference Proceedings (2 pgs).
- PRNewswire, "First Wireless Monitoring of Parking Meters Results in Theft Arrests Using CellNet Data Systems Technology", May 11, 1999 (3 pgs).
- Tung, Yaotsung—"Design of an Advanced On-Street Parking Meter" 2001, (Exhibit 1009) (75 pgs).
- Tung, Yaostung—"Design of an Advanced On-Street Parking Meter" Catalog Entry, 2001 (Exhibit 1037) (2 pgs).
- Capital Works Reserve Fund—Item for Finance Committee "Capital Subventions and Major Systems and Equipment" May 24, 2002 (Exhibit 1017) (15 pgs).
- Basu et al., "Networked Parking Spaces: Architecture and Applications", Boston University Department of Electrical and Computer Engineering, IEEE Vehicular Transportation Conference (10 pgs).
- "PT Goes Internet", Luke Parking Station (LPS ad), Parking Today vol. 10 No. 4, Apr. 4 2005, (64 pgs).
- Milwaukee Journal Sentinel, "Lovely VISA, meter maid: Use credit card to park", Jun. 13, 2005 (Exhibit 1016) (1 pg).
- Barefoot, Darren—"There'll be lies, there'll be tears, a jury of your peers", DarrenBarefoot.com, Dec. 31, 2005 (39 pgs).
- Remedois et al., "NFC Technologies in Mobile Phones and Emerging Applications," IFIP International Federation for Information Processing, vol. 220, 2006 (10 pgs).
- "Smart Cards and Parking", Smart Card Alliance, Jan. 2006 (Exhibit 1034) (52 pgs).
- Meter Solutions, Single-Space Meters brochure, downloaded from www.duncansolutions.com website (2 pgs).
- "The Originators of Metered Parking", Series II APM-E Mechanism Service Manual, POM Incorporated, May 23, 2006 (22 pgs).
- Micrel Application Note 51 Frequency Hopping Techniques, Rev. 1.0, Jun. 2006 (8 pgs).
- Digital Payment Technologies, screenshot of Luke website <https://web.archive.org/web/20061025094839/http://www.digitalpaytech.com/luke.html> (5 pgs).
- Burden et al., "Near Field Communications (NFC) in Public Transport", Digital Identity Forum, 2006 (18 pgs).
- "Changing the Way the World Pays for On-Street Parking", Bridge IR Group Inc., Research Report, Dec. 6, 2006 (23 pgs).
- McCullagh, Declan—"Hackers: We can bypass San Francisco e-parking meters", downloaded from <http://news.cnet.com>, Jul. 30, 2009 (2 pgs).
- Flatlet, J.—"In San Francisco, hackers park for free", www.engadget.com, Jul. 31, 2009 (1 pg).
- Howland, Sarah—"How M2M Maximizes Denver's Revenue", FieldTechnologiesOnline.com, Oct. 2011 (4 pgs).
- The United States Conference of Mayors Press Release, "The U.S. Conference of Mayors Presents 'Best-Practice Awards'", Jan. 20, 2012 (3 pgs).
- Duncan Solutions "Single-Space Meters" Brochure, 2006, (2 pgs).
- StreetSmart Technology, LLC, "Technical Specifications and System Features of the StreetSmart Solution" brochure, May 2011 (8 pgs).
- POM APM Solar Powered Meter Ads, Apr. 28, 2010 (5 pgs).
- POM APM Photographs, Apr. 29, 2010 (33 photos).
- Parking Meter Proposal for Ji-Nan City (English), May 2005 (41 pgs).
- DAT Self-Service System Limited Brochure, Version 1.0, 2005 (39 pgs).
- Fidelman, C.—"Times running out for parking meters at present locations: \$270,000 cited as replacement cost. City employees who ticket motorists find electronic meters unsuitable", The Montreal Gazette, Nov. 12, 2002 (2 pgs).
- Digital Payment Technologies, "Digital Payment Technologies and PXT Payments Forge Partnership to Bring Cities Smart Parking Meters and Merchant Loyalty Debit Cards", www.digitalpaytech.com, Apr. 27, 2010 (2 pgs).
- Digital Payment Technologies, Request for Proposal #B09030—Parking Pay Stations, City of Dover, New Hampshire, Oct. 22, 2008—Part 1 (110 pgs).
- Digital Payment Technologies, Request for Proposal #B09030—Parking Pay Stations, City of Dover, New Hampshire, Oct. 22, 2008—Part 2 (160 pgs).
- Digital Payment Technologies, Request for Proposal for Multi-Space Parking Meters, City of Fort Lauderdale, Jan. 13, 2010 (89 pgs).
- "Digital Payment Technologies Launches Luke II Multi-Space Parking Pay Station", Digital Payment Technologies, May 16, 2011 (3 pgs).
- Digital Payment Technologies, "Credit Card Processing with Luke and Shelby" Dec. 2007 (15 pgs).

(56)

References Cited

OTHER PUBLICATIONS

Intrinsyc Software International, “Intrinsyc and Digital Pioneer Partner on Development of New Leading Edge Parking Terminal Solution”, Aug. 14, 2003 (2 pgs).

Digital Payment Technologies, Sierra Wireless Case Study, Dec. 7, 2009 (2 pgs).

Duncan Solutions, Pay-by-Space Parking Meters Customer Support Manual, Jul. 2006 (216 pgs).

Duncan VM Solar-Power meter photograph, pre-Mar. 2011 (1 pg).

Duncan VS—“The Worlds Most Advanced Pay-by-Space Meter Armored in Stainless Steel”, Jan. 2006 (2 pgs).

Reino—Recommended Cashbox Handling Guidelines, Sep. 9, 2009 (7 pgs).

Reino Parking Systems—“On-Street Service Procedures”, Jun. 2004 (19 pgs).

Reino Meter Advertisement, Parking Today, Aug. 2003 (1 pg).

Reino Parking Systems, RSV2 Service Manual Version 3, Dec. 2003 (78 pgs).

Duncan Solutions, RSV3 Parking Meter , Jul. 2011 (2 pgs).

Reino International, Reino RSV3 Brochure, Nov. 2007 (4 pgs).

Reino International, ReinoNet Operator User Manual, Jan. 2003 (106 pgs).

Shaheen, S.—“Smart Parking Management Field Test: A Bay Area Rapid Transit (BART) District Parking Demonstration”, Jan. 1, 2005 (139 pgs).

Bernspang, F.—“Smart Parking using Magnetometers and Mobile Applications”, Nov. 2010 to May 2011 (35 pgs).

The Intelligent Transportation Society of America (ITS America), “Smart Parking and the Connected Consumer: Opportunities for Facility Operators and Municipalities”, Dec. 2012 (39 pgs).

Cosgrove, D.—“SmartPark: Senior Project Report”, Jun. 12, 2013 (20 pgs).

IPS, “Multi Bay Parking Meter product description”, <http://www.design-industry.com.au/work/multi-bay-parking-meter/>, Oct. 6, 2015 (6 pages).

IPS Single Bay Parking Meter product description, <http://www.design-industry.com.au/work/ips-single-parking-meter/>, Oct. 6, 2015 (6 pages).

Photo Violation Technologies—Revolutionizing the Industry by Perfecting How People Park, <https://web.archive.org/web/20060813094459/http://photoviolation.com/>, Aug. 13, 2006(65 pages).

Photo Violation Technologies—Revolutionizing the Industry by Perfecting How People Park, <https://web.archive.org/web/20060823100739/http://photoviolation.com/>, Aug. 23, 2006(65 pages).

Photo Violation Technologies—Revolutionizing the Industry by Perfecting How People Park, <https://web.archive.org/web/20080222104246/http://photoviolation.com/>, Feb. 22, 2008(47 pages).

Photo Violation Technologies—Revolutionizing the Industry by Perfecting How People Park, <https://web.archive.org/web/20060110041849/http://photoviolation.com/>, Jan. 10, 2006(57 pages).

Photo Violation Technologies—Revolutionizing the Industry by Perfecting How People Park, <https://web.archive.org/web/20060715195511/http://photoviolation.com/>, Jul. 15, 2006(49 pages).

U.S. 9,640,016, B2, May 2017, IPS Group, Inc. (withdrawn).

Third-Party Information Liability Disclaimer, Registration No. 168171, Mar. 27, 2017, 7 pages.

Third-Party Information Liability Disclaimer, Registration No. 168172, Mar. 27, 2017, 7 pages.

Third Party Information Liability Disclaimer, Registration No. 168173, Mar. 27, 2017, 7 pages.

Third Party Information Liability Disclaimer, Registration No. 168198, Mar. 27, 2017, 9 pages.

Third Party Information Liability Disclaimer, Registration No. 168199, Mar. 27, 2017, 8 pages.

Third Party Information Liability Disclaimer, Registration No. 168200, Mar. 27, 2017, 8 pages.

* cited by examiner

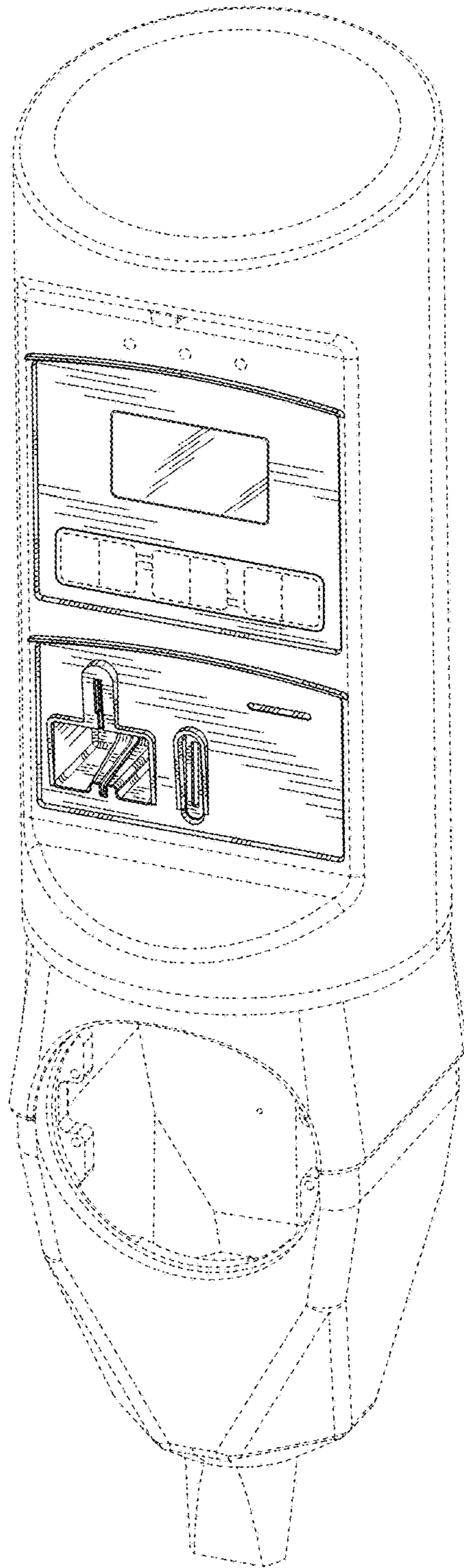


FIG. 1

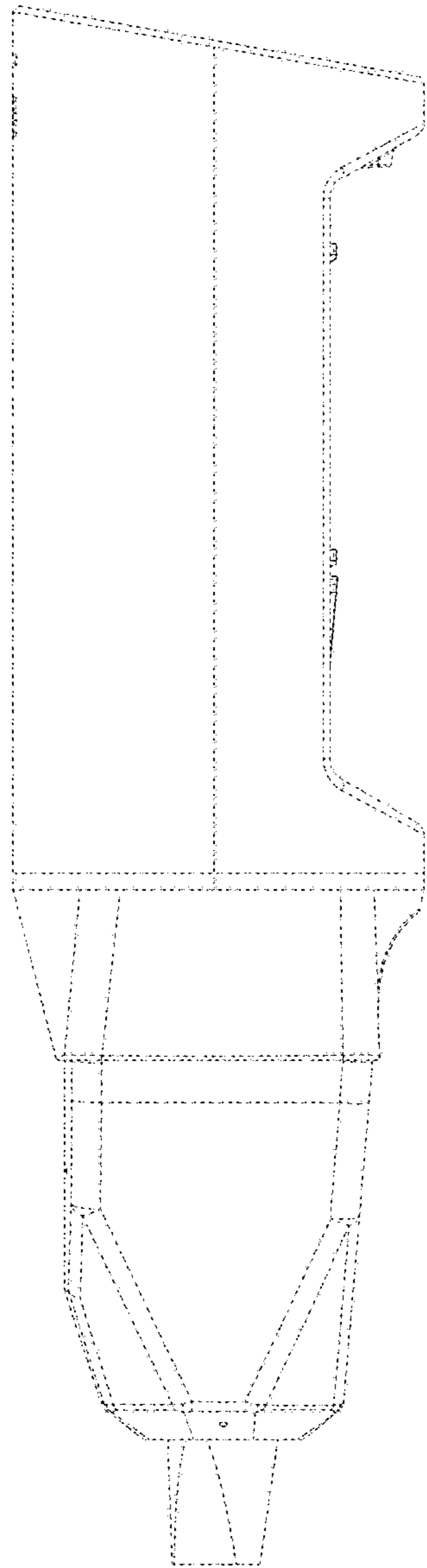


FIG. 2

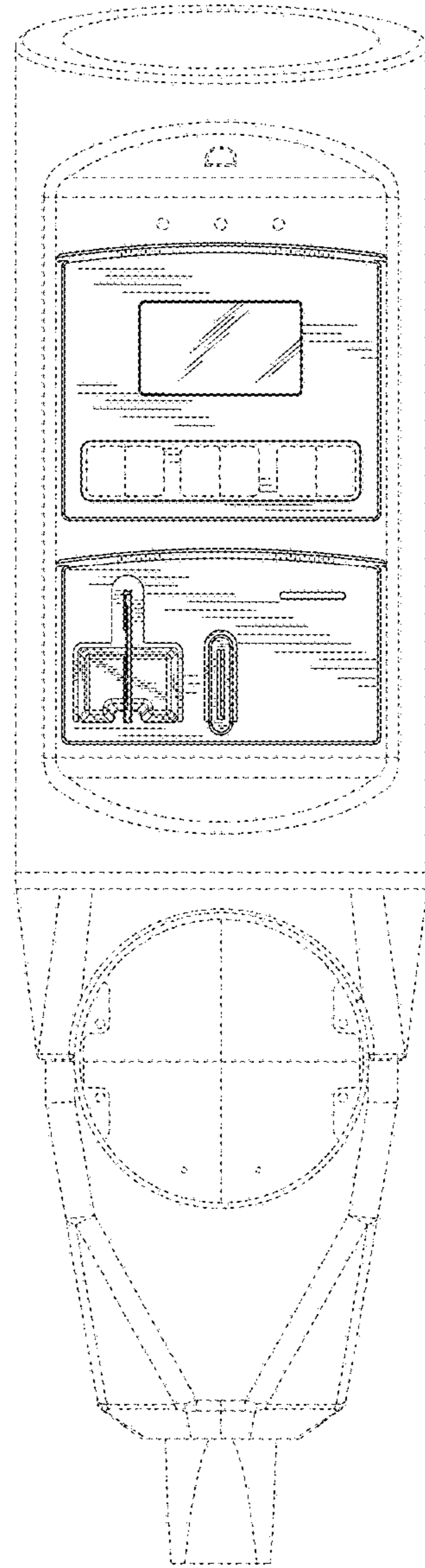


FIG. 3

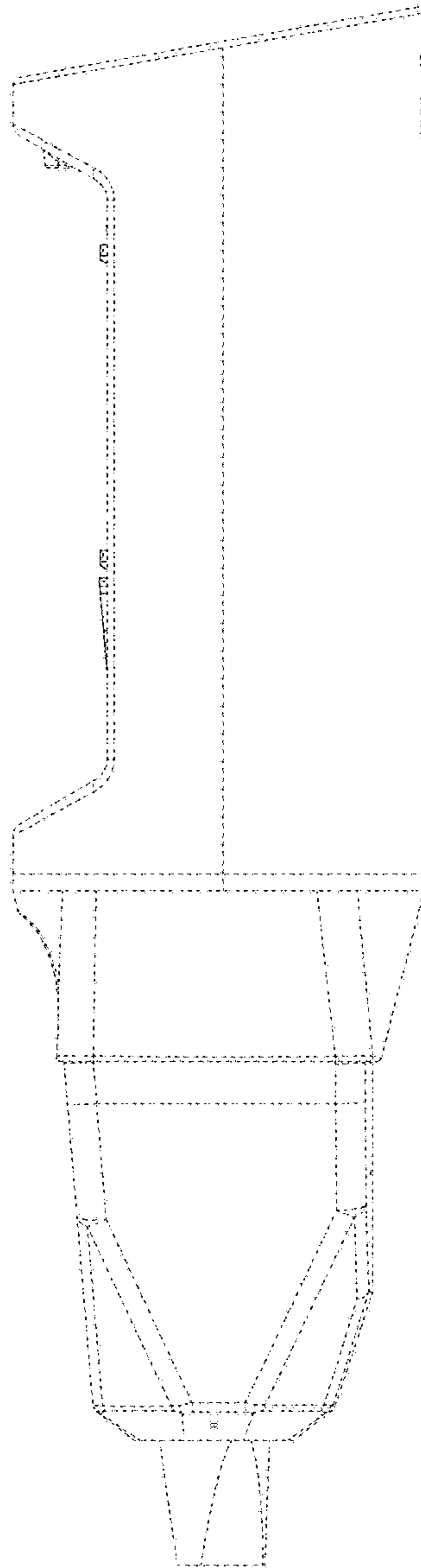


FIG. 4

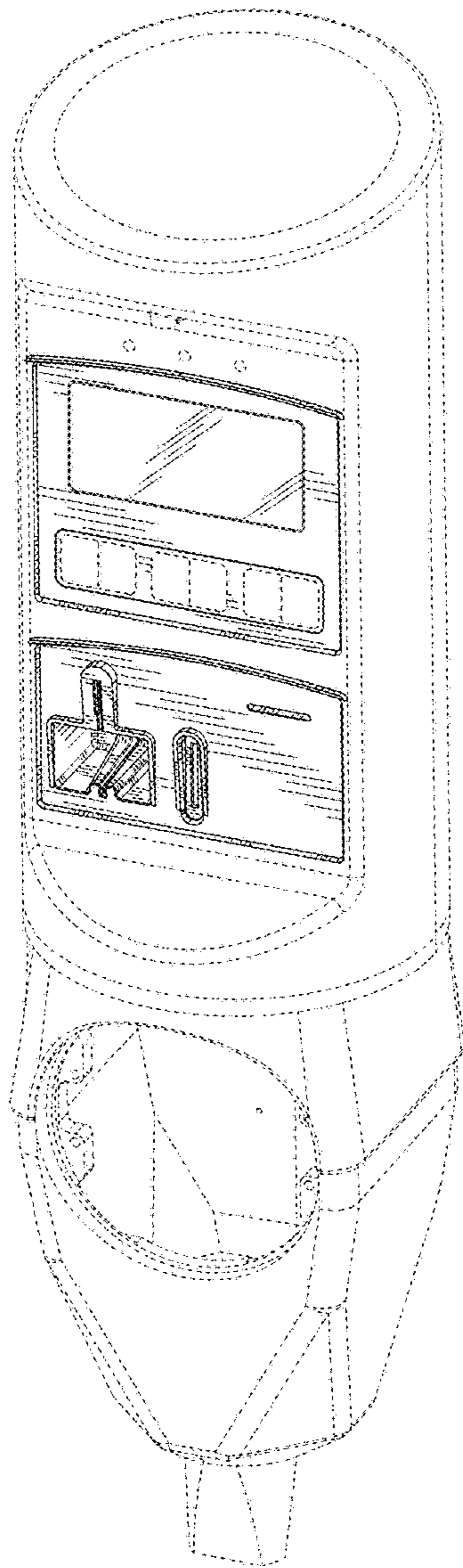


FIG. 5

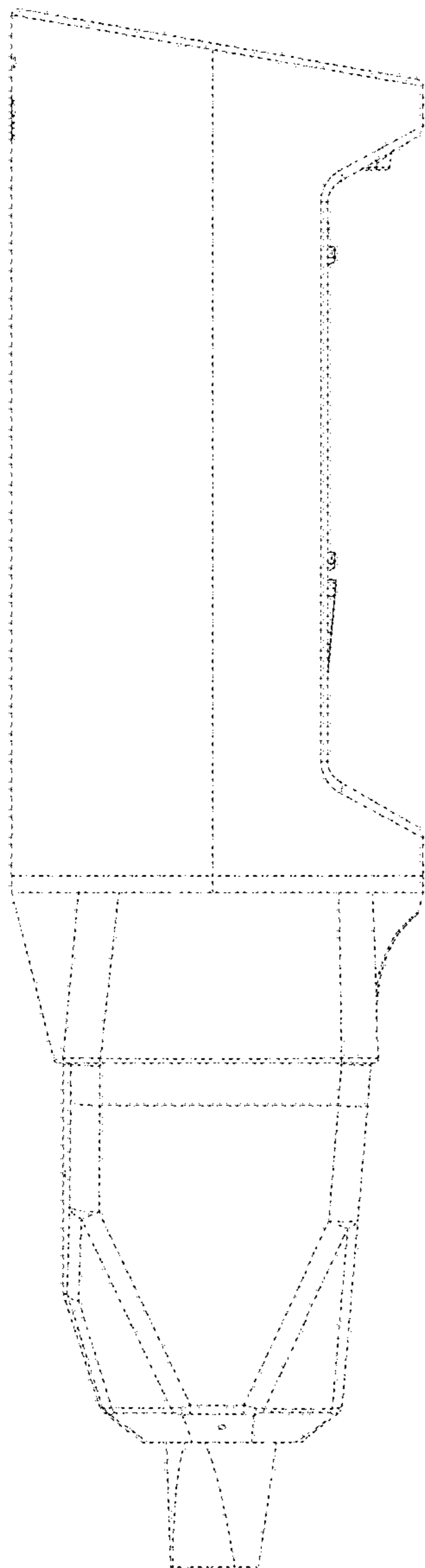


FIG. 6

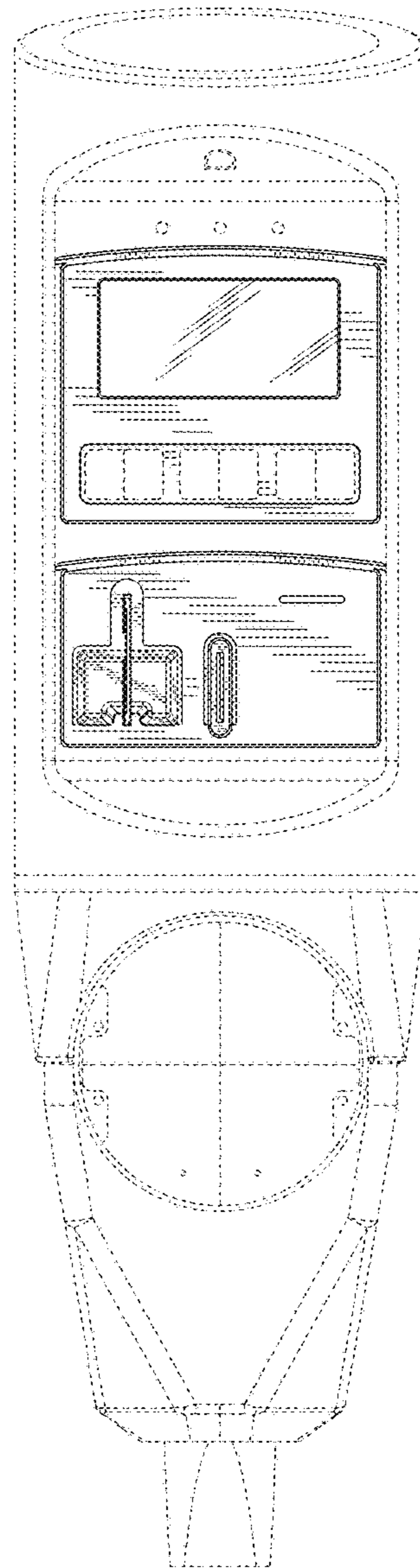


FIG. 7

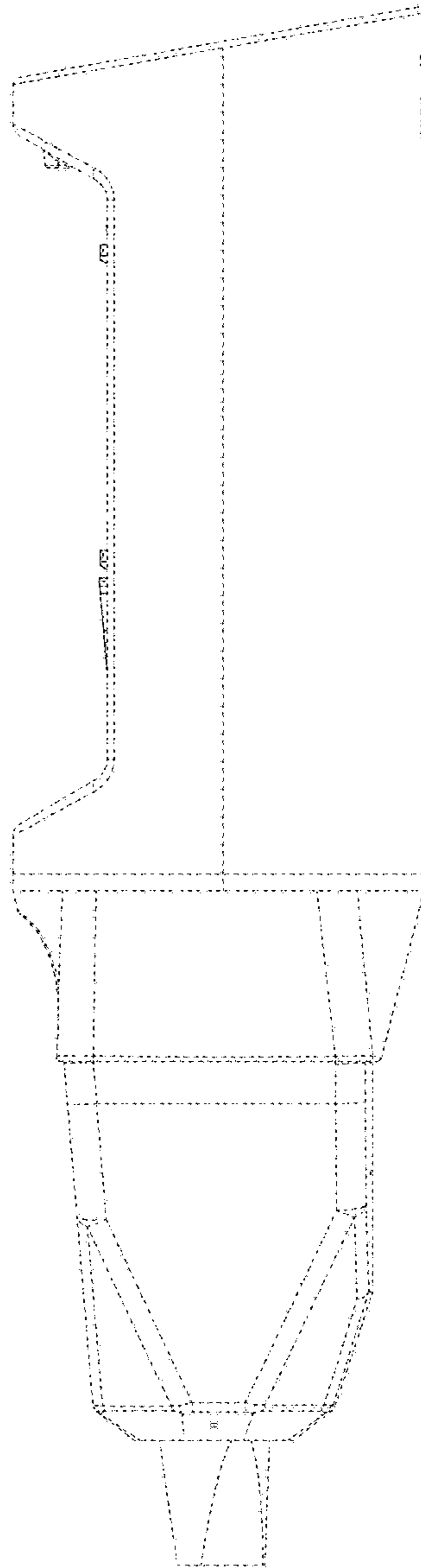


FIG. 8