



US00D863986S

(12) **United States Design Patent** (10) **Patent No.:** **US D863,986 S**
Galli (45) **Date of Patent:** **** Oct. 22, 2019**

(54) **WATCH**

(71) Applicant: **SALVATORE FERRAGAMO S.P.A.**,
Florence (IT)

(72) Inventor: **Giorgio Galli**, Milan (IT)

(73) Assignee: **SALVATORE FERRAGAMO S.P.A.**,
Florence (IT)

(**) Term: **15 Years**

(21) Appl. No.: **35/506,030**

(22) Filed: **May 16, 2018**

(80) **Hague Agreement Data**

Int. Filing Date: **May 16, 2018**

Int. Reg. No.: **DM/101293**

Int. Reg. Date: **May 16, 2018**

Int. Reg. Pub. Date: **Nov. 16, 2018**

(51) **LOC (12) Cl.** **10-02**

(52) **U.S. Cl.**
USPC **D10/39**

(58) **Field of Classification Search**
USPC **D10/32, 39, 36**
See application file for complete search history.

(56) **References Cited**

U.S. PATENT DOCUMENTS

D682,121 S *	5/2013	Hegi	D10/36
D706,142 S *	6/2014	Monachon	D10/32
D769,135 S *	10/2016	Chen	D10/39
D818,377 S *	5/2018	Buonamassa Stigliani ...	D10/39

* cited by examiner

Primary Examiner — George D. Kirschbaum

(74) *Attorney, Agent, or Firm* — Lucas & Mercanti, LLP

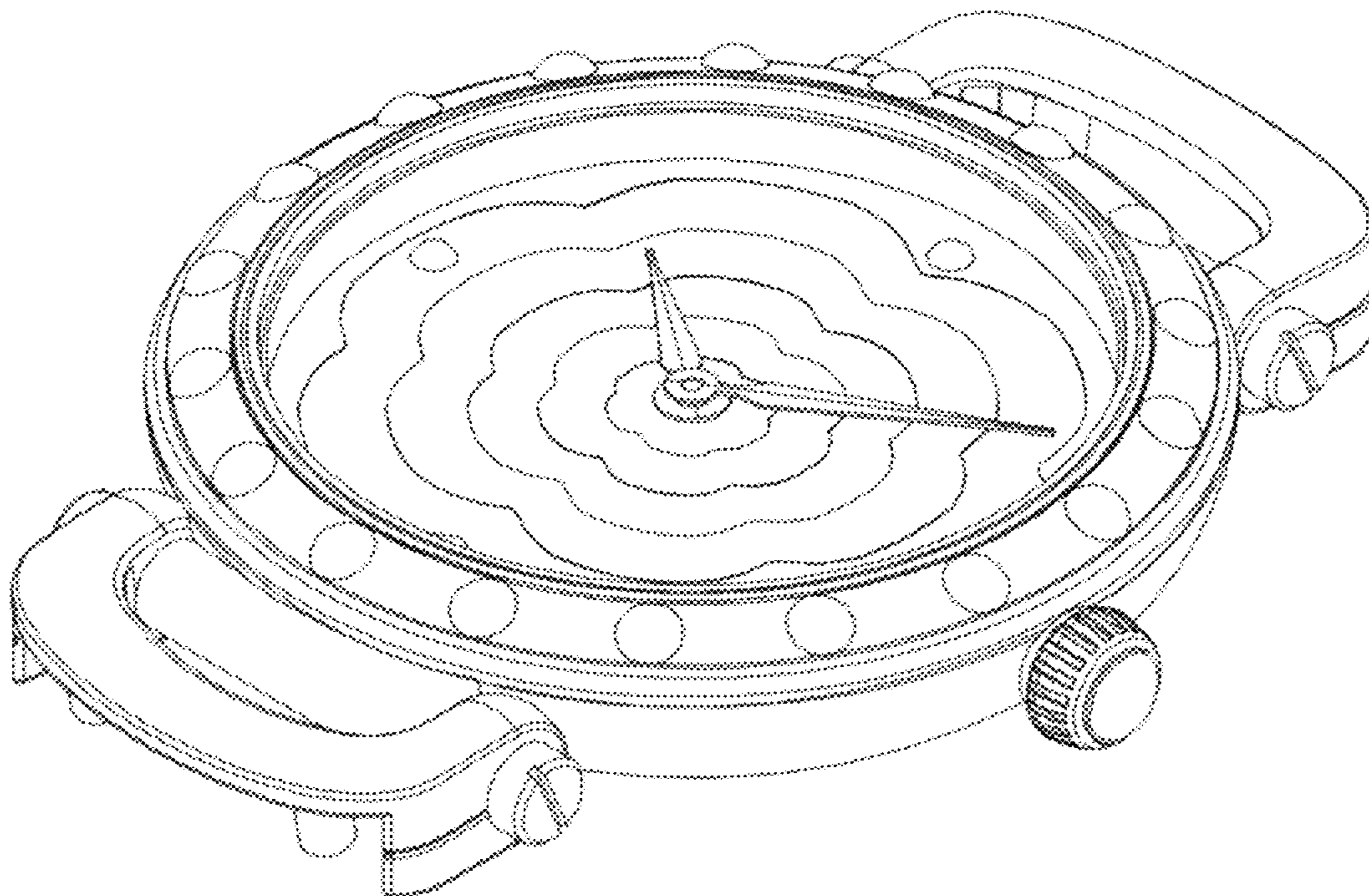
(57) **CLAIM**

The ornamental design for watch, as shown and described.

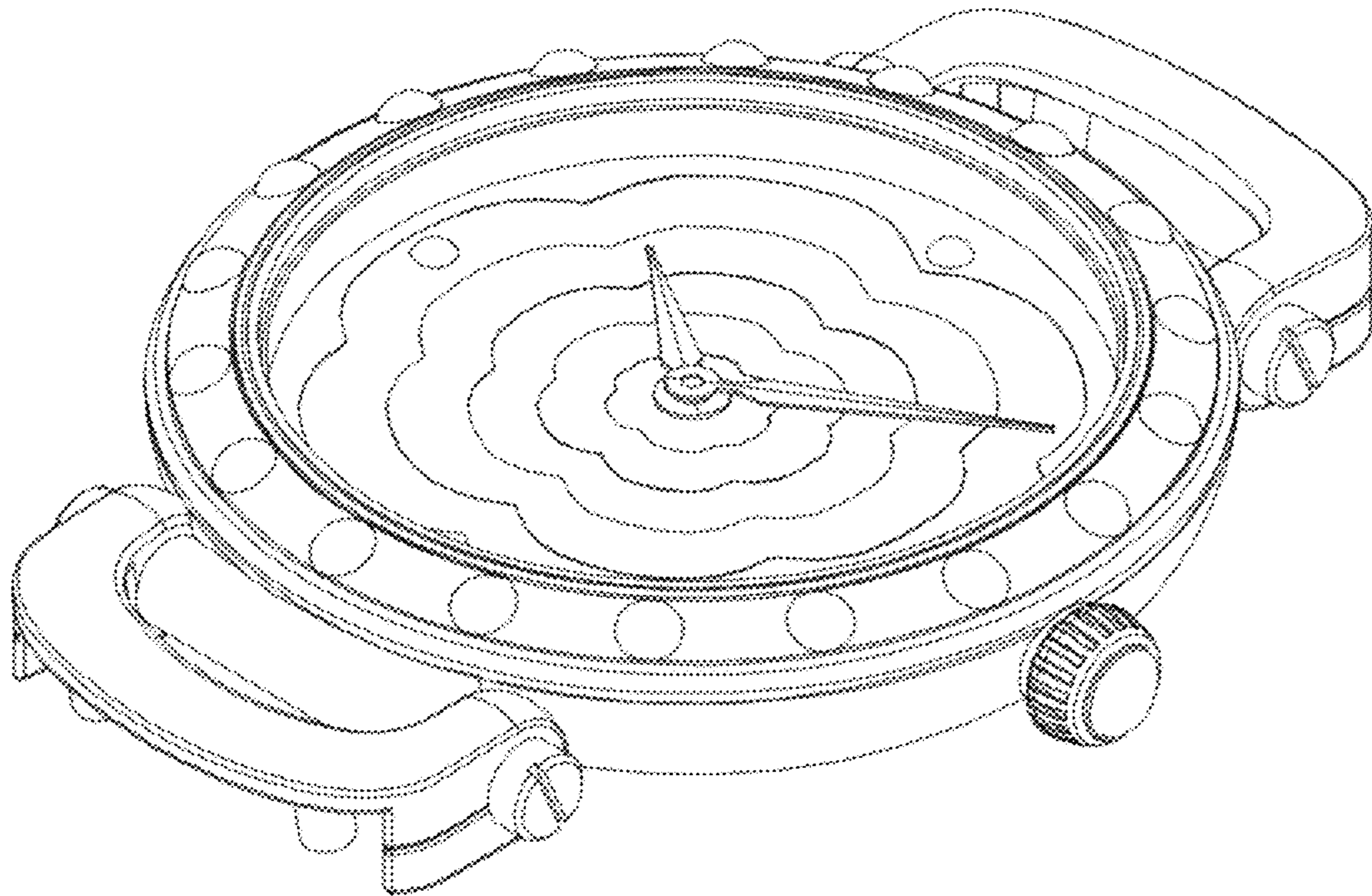
DESCRIPTION

- 1. Watch
- 1.1 : Perspective
- 1.2 : Top
- 1.3 : Bottom
- 1.4 : Front
- 1.5 : Back
- 1.6 : Right
- 1.7 : Left

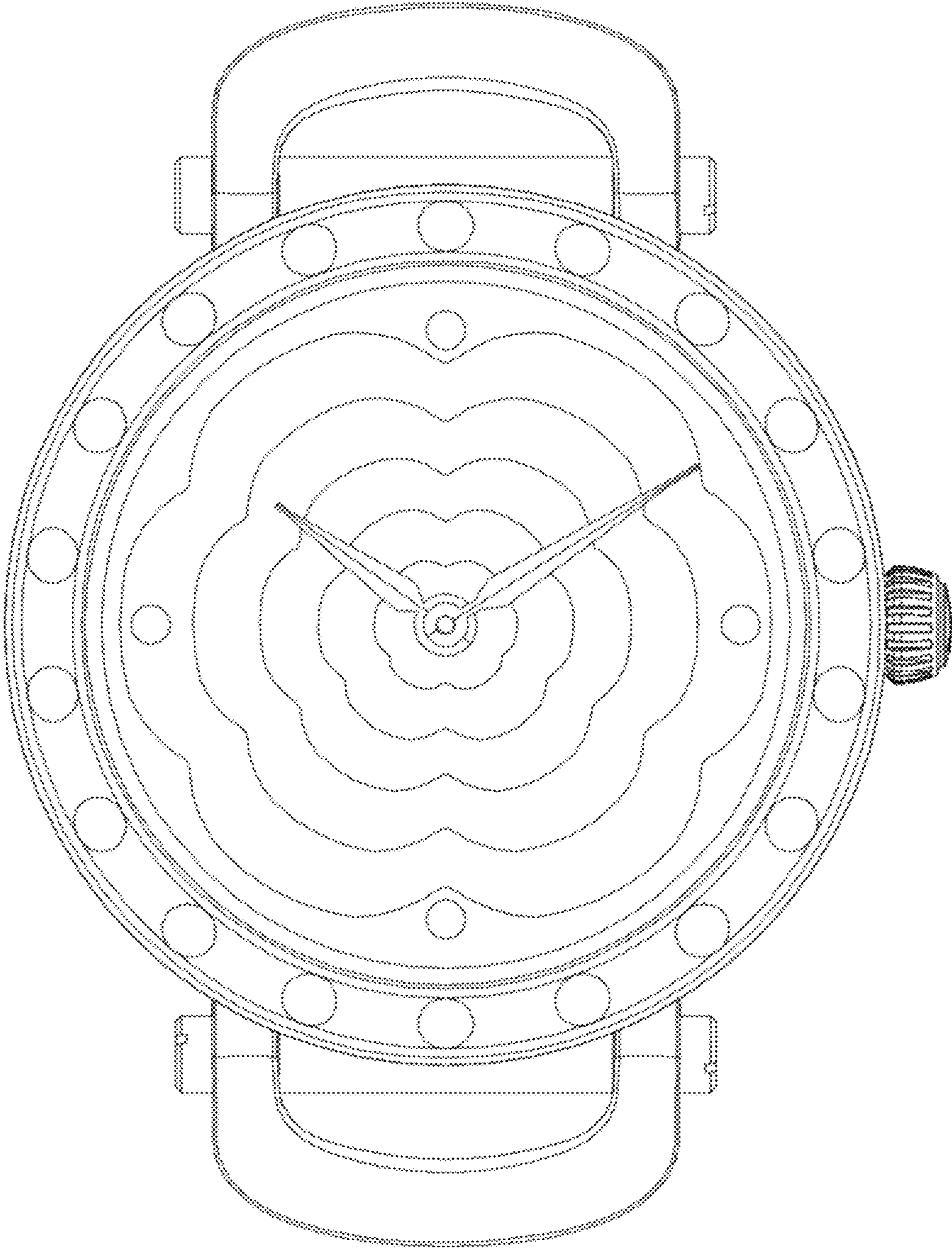
1 Claim, 7 Drawing Sheets



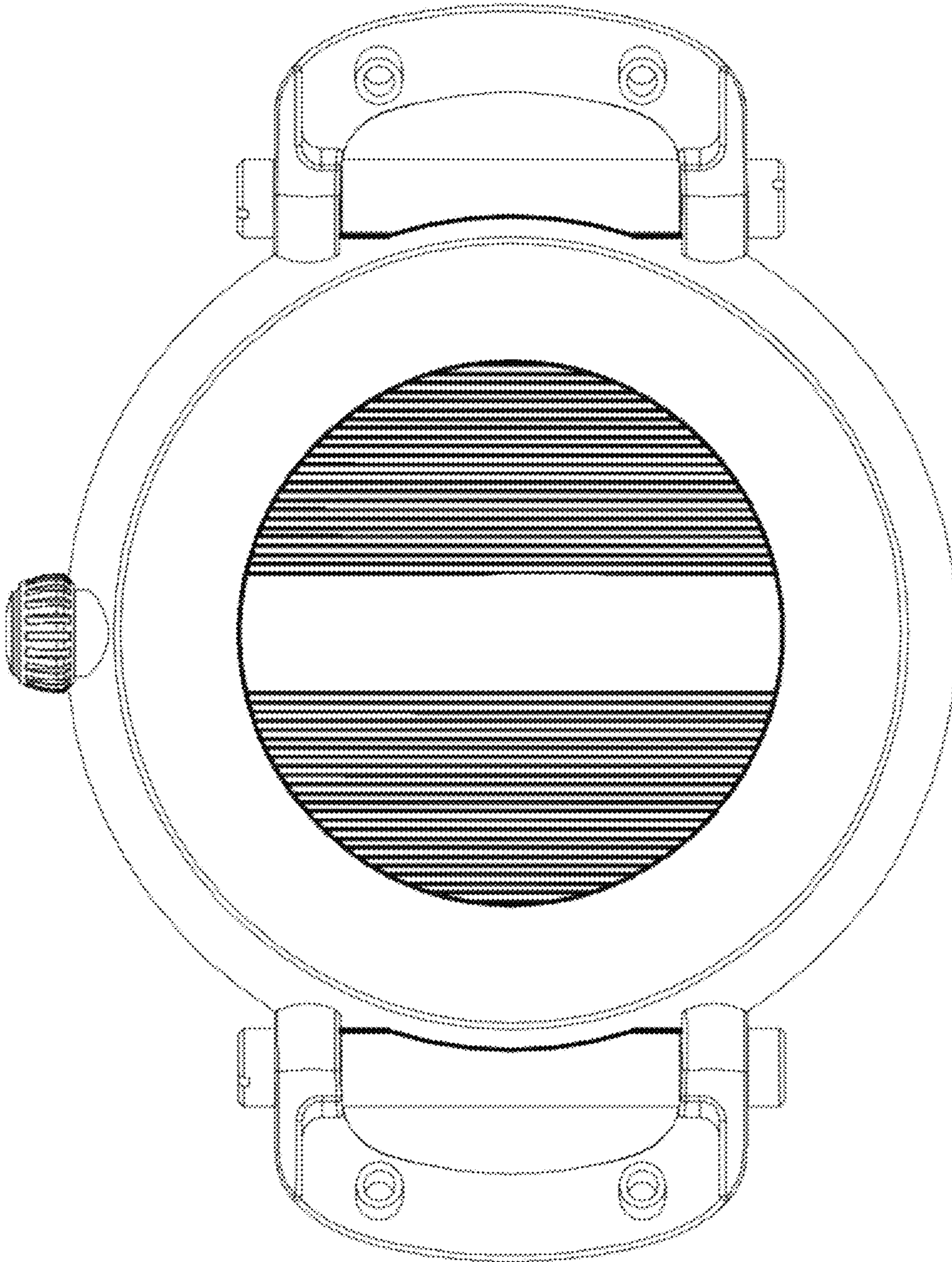
1.1



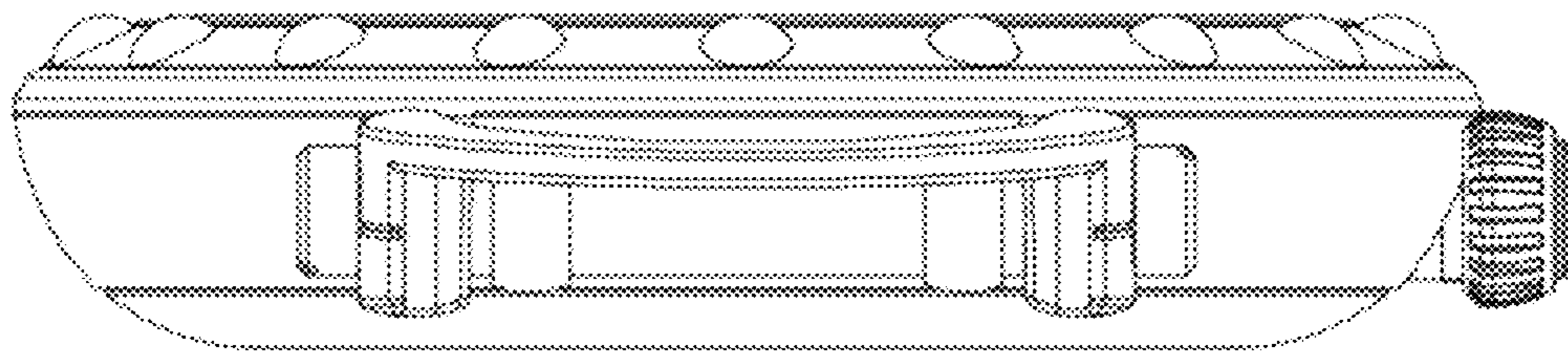
1.2



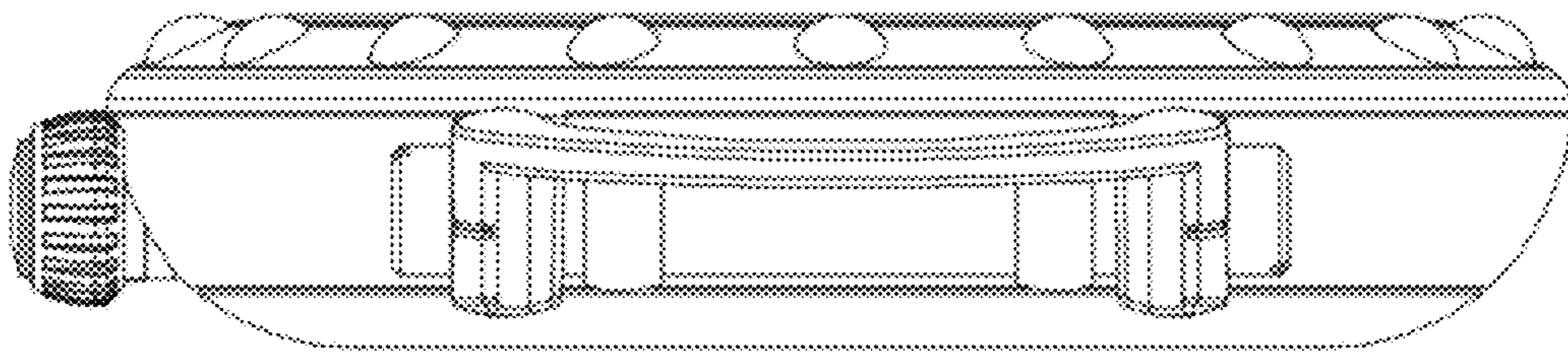
1.3



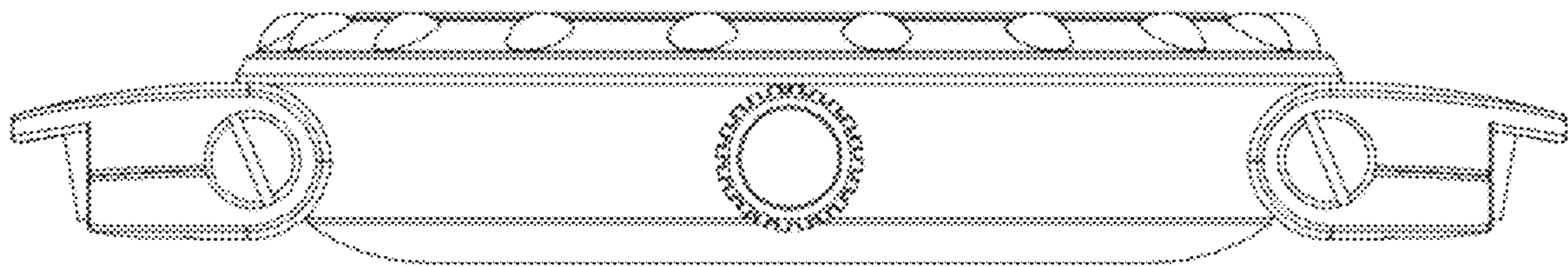
1.4



1.5



1.6



1.7

