



US00D863985S

(12) **United States Design Patent**
Viry

(10) **Patent No.:** **US D863,985 S**

(45) **Date of Patent:** **** Oct. 22, 2019**

(54) **WATCH**

(71) Applicant: **DECATHLON**, Villeneuve d'Ascq (FR)

(72) Inventor: **Baptiste Viry**, Villeneuve d'Ascq (FR)

(73) Assignee: **Decathlon**, Villeneuve d'Ascq (FR)

(**) Term: **15 Years**

(21) Appl. No.: **29/626,360**

(22) Filed: **Nov. 16, 2017**

(30) **Foreign Application Priority Data**

May 19, 2017 (EM) 004010031-0001

(51) **LOC (12) Cl.** **10-02**

(52) **U.S. Cl.**
USPC **D10/32**

(58) **Field of Classification Search**

USPC D10/1-2, 10, 30-33, 36-39, 98-99,
D10/122-124, 126-128, 132; D11/3;
D14/344; D24/167, 186

CPC G04C 19/00; G04C 19/02; G04B 19/00;
G04B 19/025; G04B 19/08; G04B
19/048; G04B 19/04; G04B 19/046;
G04B 19/06; G04B 19/065; G04B
19/082; G04B 19/085; G04B 19/087;
G04B 19/10; G04B 19/103; G04B
19/106; G04B 47/042; G04B 19/12;
G04B 19/18; G04B 19/223; G04B 19/23;
G04B 19/24; G04B 19/241; G04B
19/243; G04D 3/04

See application file for complete search history.

(56) **References Cited**

U.S. PATENT DOCUMENTS

D505,084 S * 5/2005 Houlihan D10/30
6,982,930 B1 * 1/2006 Hung A61B 5/02438
368/10

D540,695 S * 4/2007 Leung D10/31
D586,674 S * 2/2009 Solarewicz D10/32
D610,922 S * 3/2010 Lammers-Meis D10/31
D654,814 S * 2/2012 Kumano D10/32
D654,815 S * 2/2012 Kumano D10/32
D657,697 S * 4/2012 Lammers-Meis D10/31
D660,726 S * 5/2012 Register D10/38
D661,206 S * 6/2012 Register D10/38
D681,482 S * 5/2013 Ramos, Jr. D10/38

(Continued)

OTHER PUBLICATIONS

Geonaute Onmove 500 HRM | posted at widermag.com Sep. 8, 2017 © widermag.com [online][site visited Sep. 6, 2018]. Available from internet: <<https://www.widermag.com/news-test-montre-gps-geonaute-onmove-500-hrm>> (Year: 2017).*

Primary Examiner — Karen E Kearney

Assistant Examiner — Katherine Glennon

(74) *Attorney, Agent, or Firm* — Fross Zelnick Lehrman & Zissu, P.C.; Charles T. J. Weigell, Esq.

(57) **CLAIM**

The ornamental design for a watch, as shown and described.

DESCRIPTION

FIG. 1 is a perspective view of a watch showing my new design;

FIG. 2 is a back view thereof, with the front strap removed for ease of illustration;

FIG. 3 is a front view thereof, with the back strap removed for ease of illustration;

FIG. 4 is a left side view thereof;

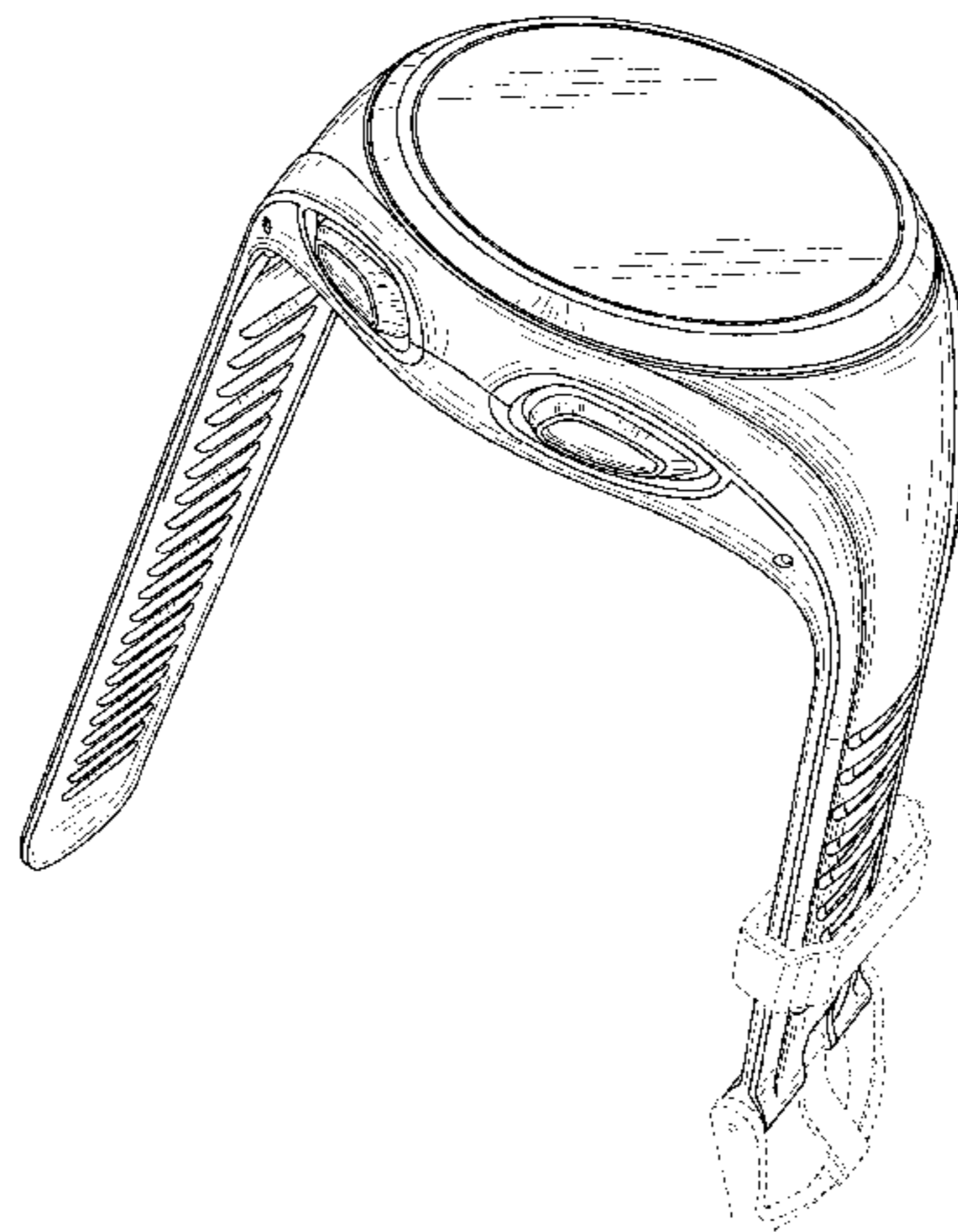
FIG. 5 is a right side view thereof;

FIG. 6 is a top view thereof; and,

FIG. 7 is a bottom view thereof.

The broken lines depicting the strap, buckle, loop, and portions of the bottom of the watch show unclaimed subject matter that forms no part of the claimed design.

1 Claim, 5 Drawing Sheets



(56)

References Cited

U.S. PATENT DOCUMENTS

D716,677 S	*	11/2014	Messier	D10/70
D725,073 S	*	3/2015	Ji	D10/38
D725,527 S	*	3/2015	Parmigiani	D10/128
D726,675 S	*	4/2015	Choi	D10/38
D726,676 S	*	4/2015	Park	D10/38
D773,318 S	*	12/2016	Wong	D10/32
D797,098 S	*	9/2017	Bang	D14/344
D809,511 S	*	2/2018	Mistry	D14/344
D819,021 S	*	5/2018	Mistry	D14/344
D825,644 S	*	8/2018	Harpages	D16/311

* cited by examiner

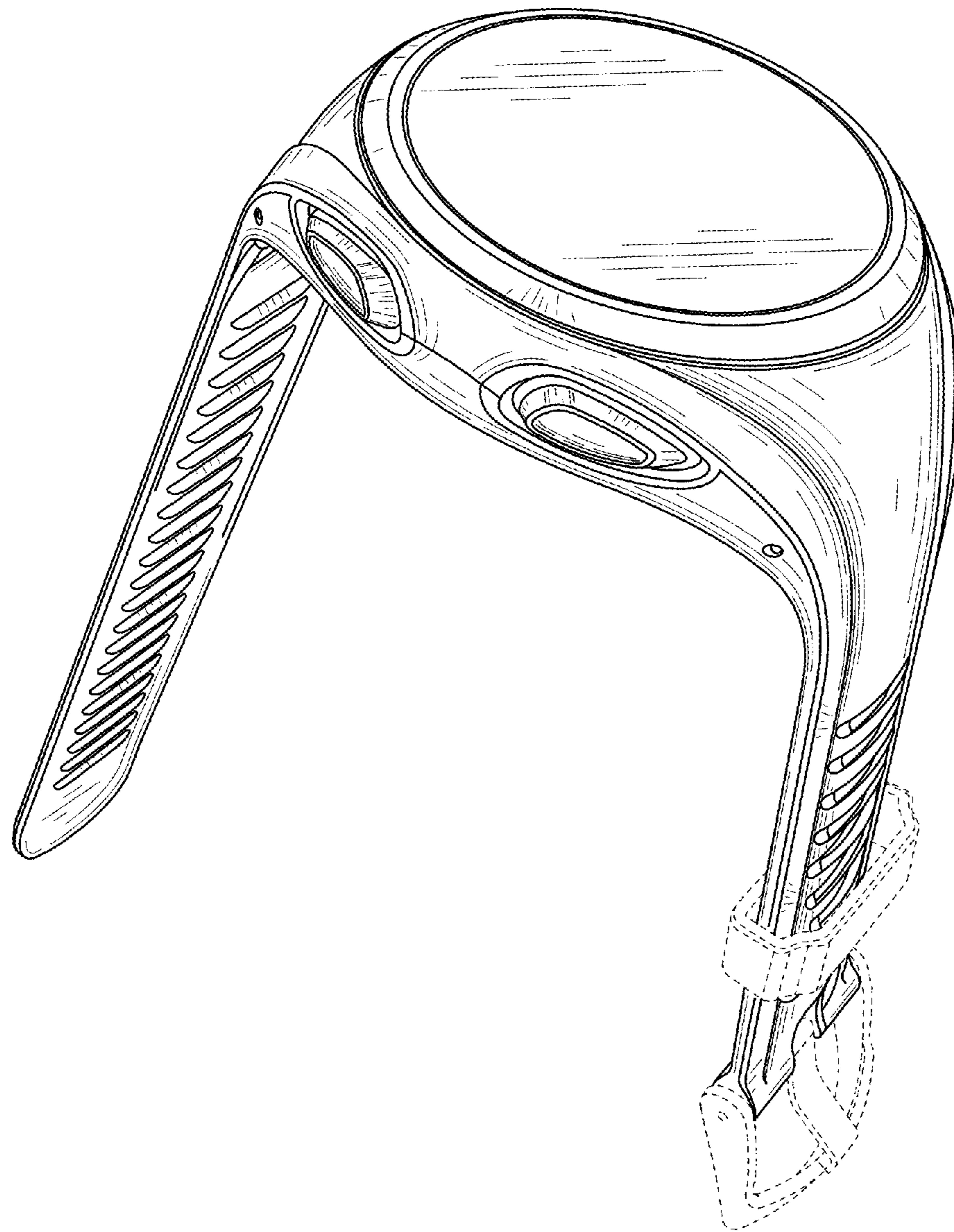


FIG. 1

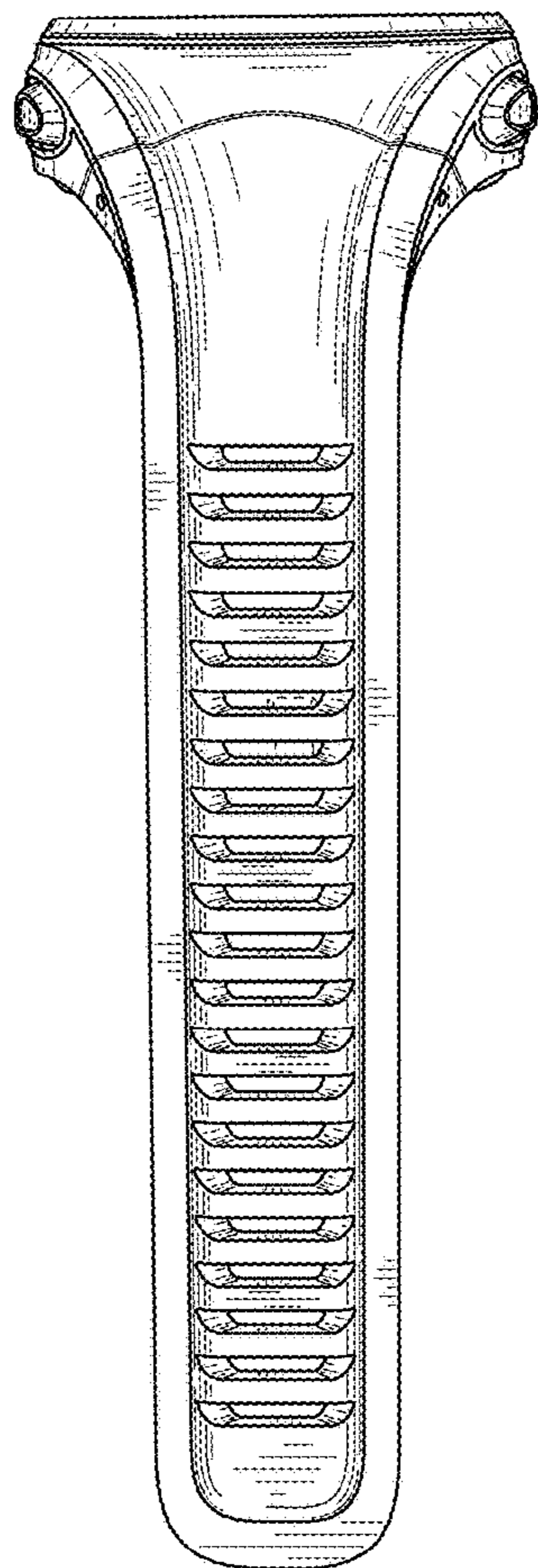


FIG. 2

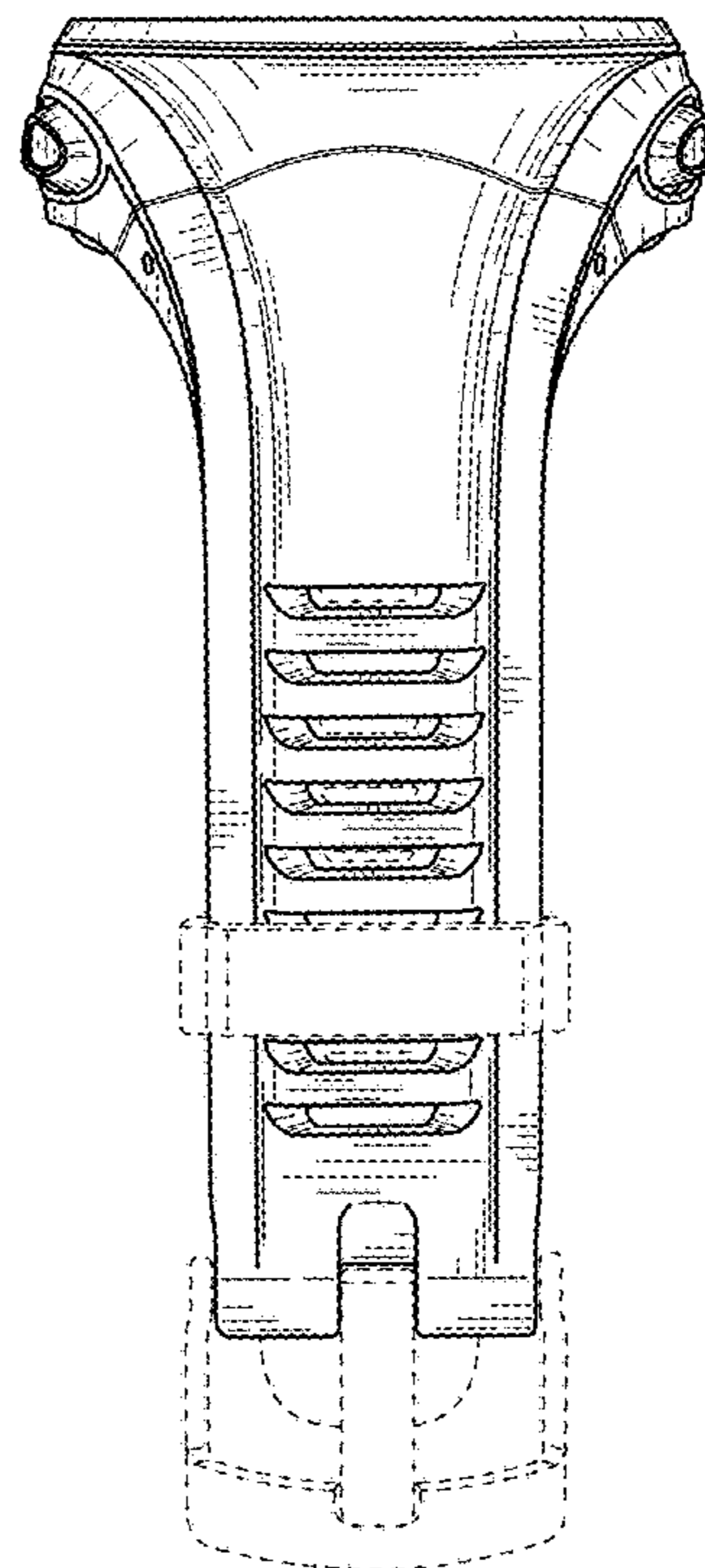


FIG. 3

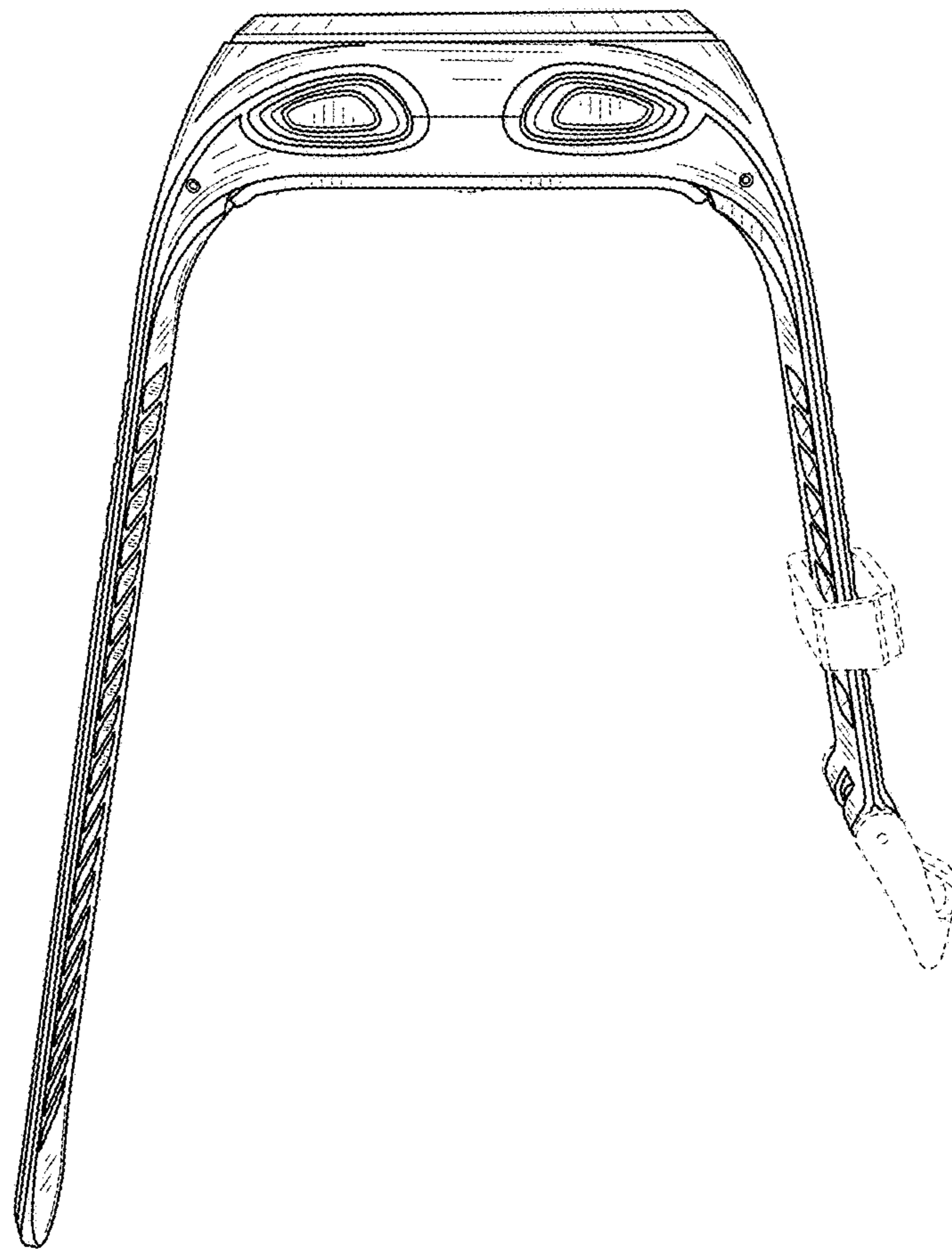


FIG. 4

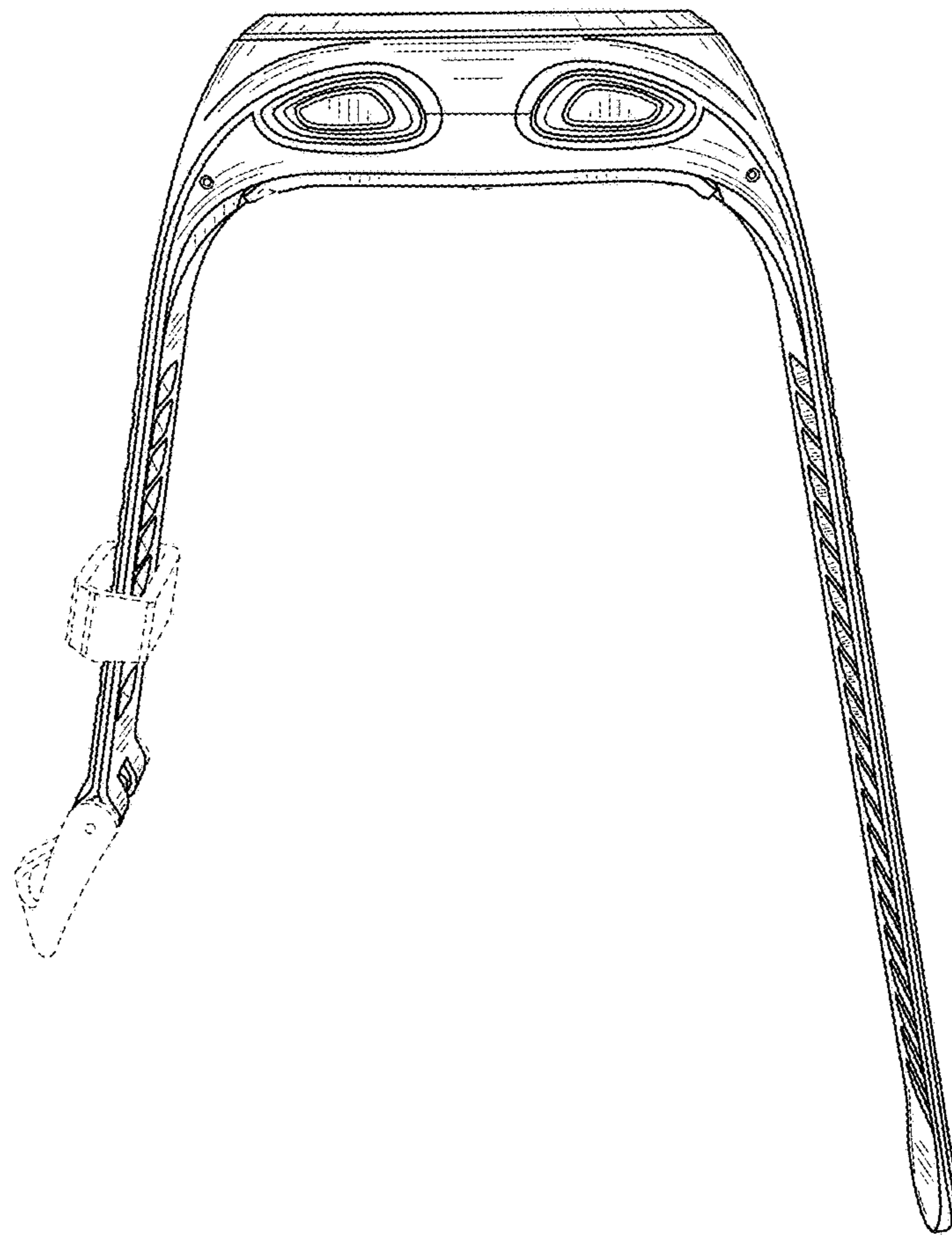


FIG. 5

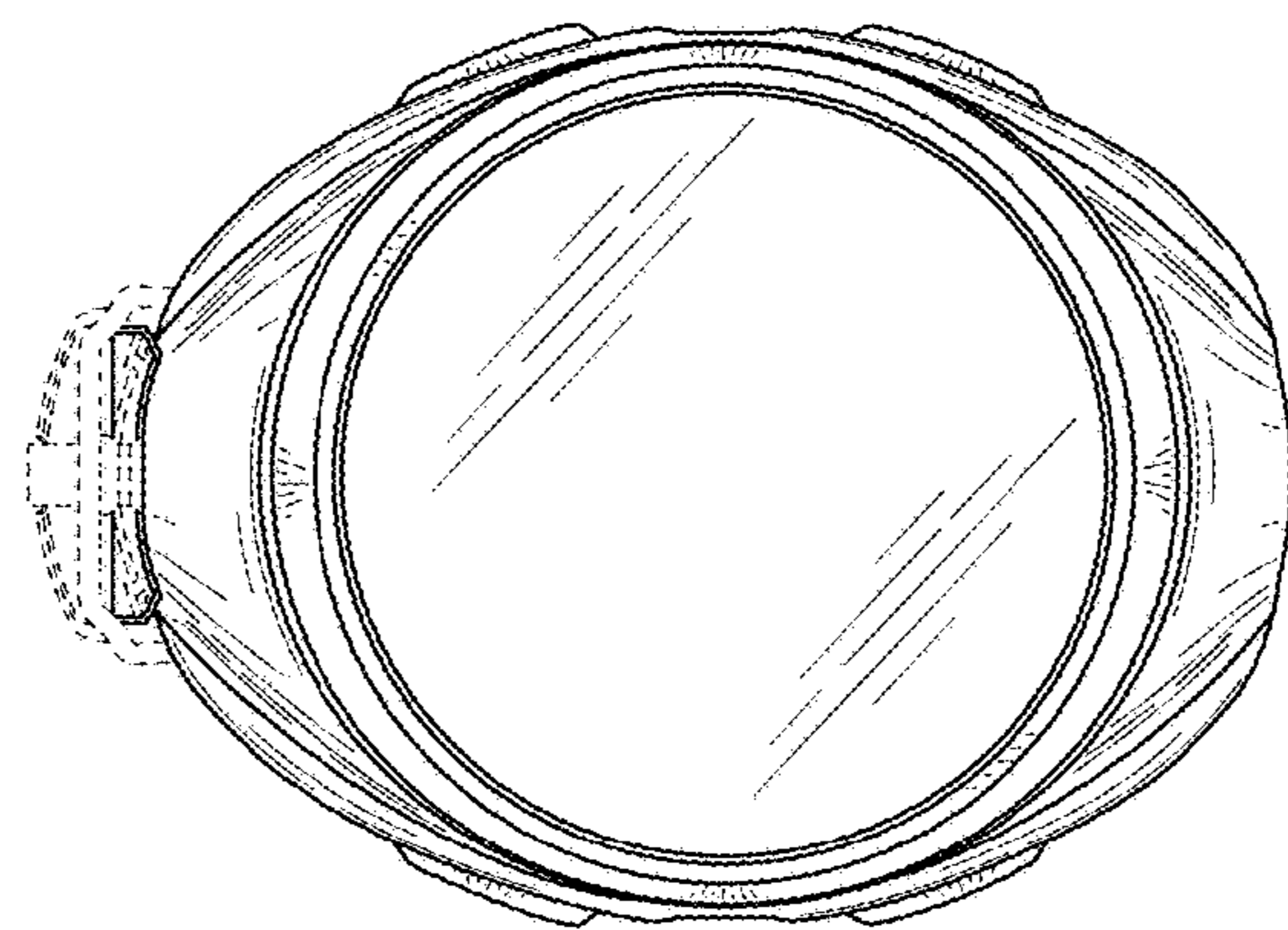


FIG. 6

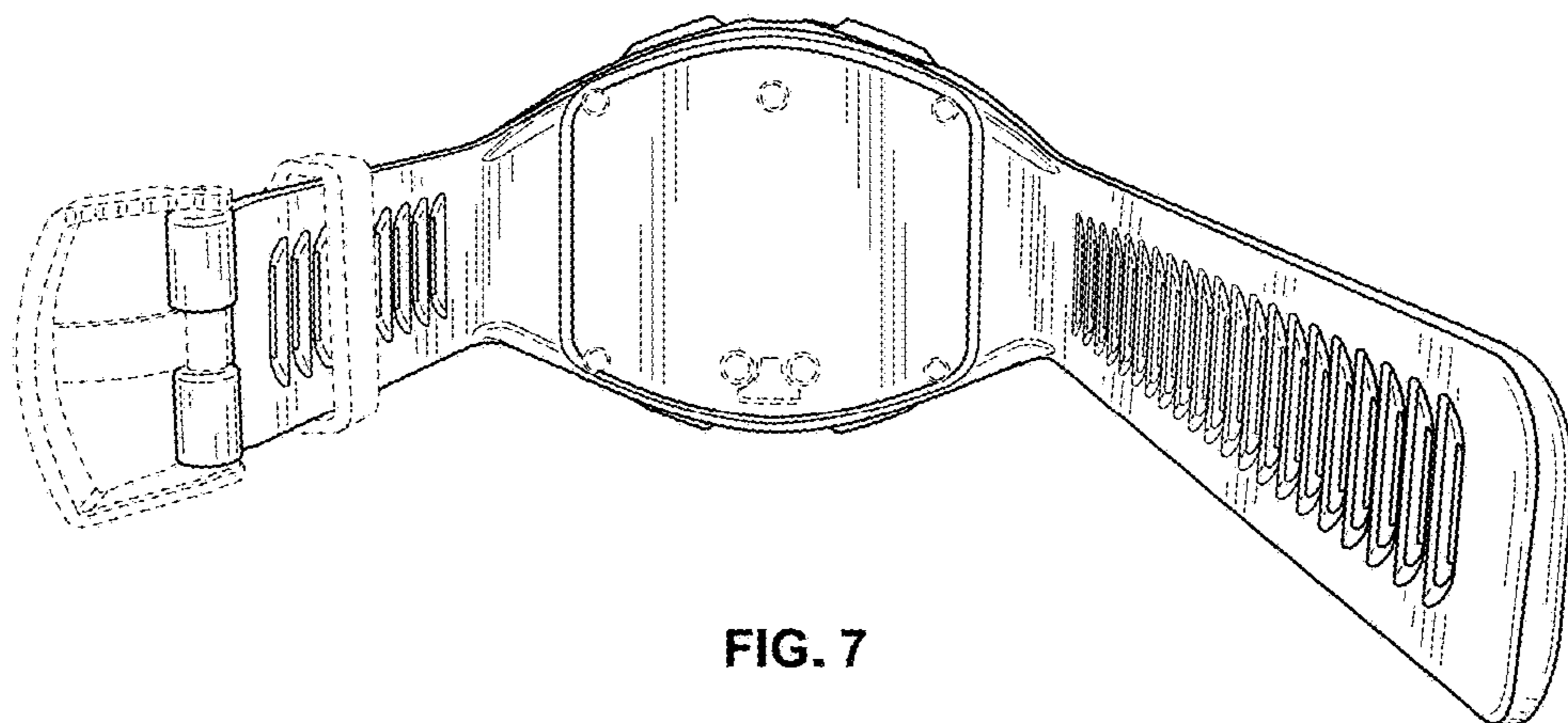


FIG. 7