



US00D863984S

(12) **United States Design Patent** (10) **Patent No.:** **US D863,984 S**  
**Yu** (45) **Date of Patent:** **\*\* Oct. 22, 2019**

(54) **ELECTRONIC CLOCK TIMER**  
(71) Applicant: **FUZHOU ESUN ELECTRONIC CO., LTD**, Fujian (CN)  
(72) Inventor: **Guo Yu**, Fujian (CN)  
(73) Assignee: **FUZHOU ESUN ELECTRONIC CO., LTD**, Fujian (CN)

5,883,859 A \* 3/1999 Bentley ..... G04G 13/021  
368/10  
D422,510 S \* 4/2000 Holland ..... D10/15  
D523,841 S \* 6/2006 Van Kastel ..... D14/188  
D543,869 S \* 6/2007 Chavarri ..... D10/2  
D659,552 S \* 5/2012 Nielsen, Sr. .... D10/15  
D694,127 S \* 11/2013 Hsu ..... D10/15  
D700,528 S \* 3/2014 Joseph ..... D10/15  
D721,350 S \* 1/2015 Kim ..... D14/188  
D761,227 S \* 7/2016 Poandl ..... D14/171  
2015/0214760 A1 \* 7/2015 Chraime ..... H02J 7/0045  
320/103

(\*\*) Term: **15 Years**

\* cited by examiner

(21) Appl. No.: **29/633,510**

*Primary Examiner* — Sandra S Snapp

(22) Filed: **Jan. 15, 2018**

(74) *Attorney, Agent, or Firm* — JCIPRNET

(51) **LOC (12) Cl.** ..... **10-01**

(57) **CLAIM**

(52) **U.S. Cl.**  
USPC ..... **D10/24**

The ornamental design for an electronic clock timer, as shown and described.

(58) **Field of Classification Search**  
USPC ..... D10/1–29, 40, 41, 128–130; D14/170,  
D14/171, 188, 194, 195, 197, 198  
CPC ..... G04B 19/00; G04B 19/04; G04B 19/34;  
G04B 45/0069; G04C 3/00; G04C 3/0001  
See application file for complete search history.

**DESCRIPTION**

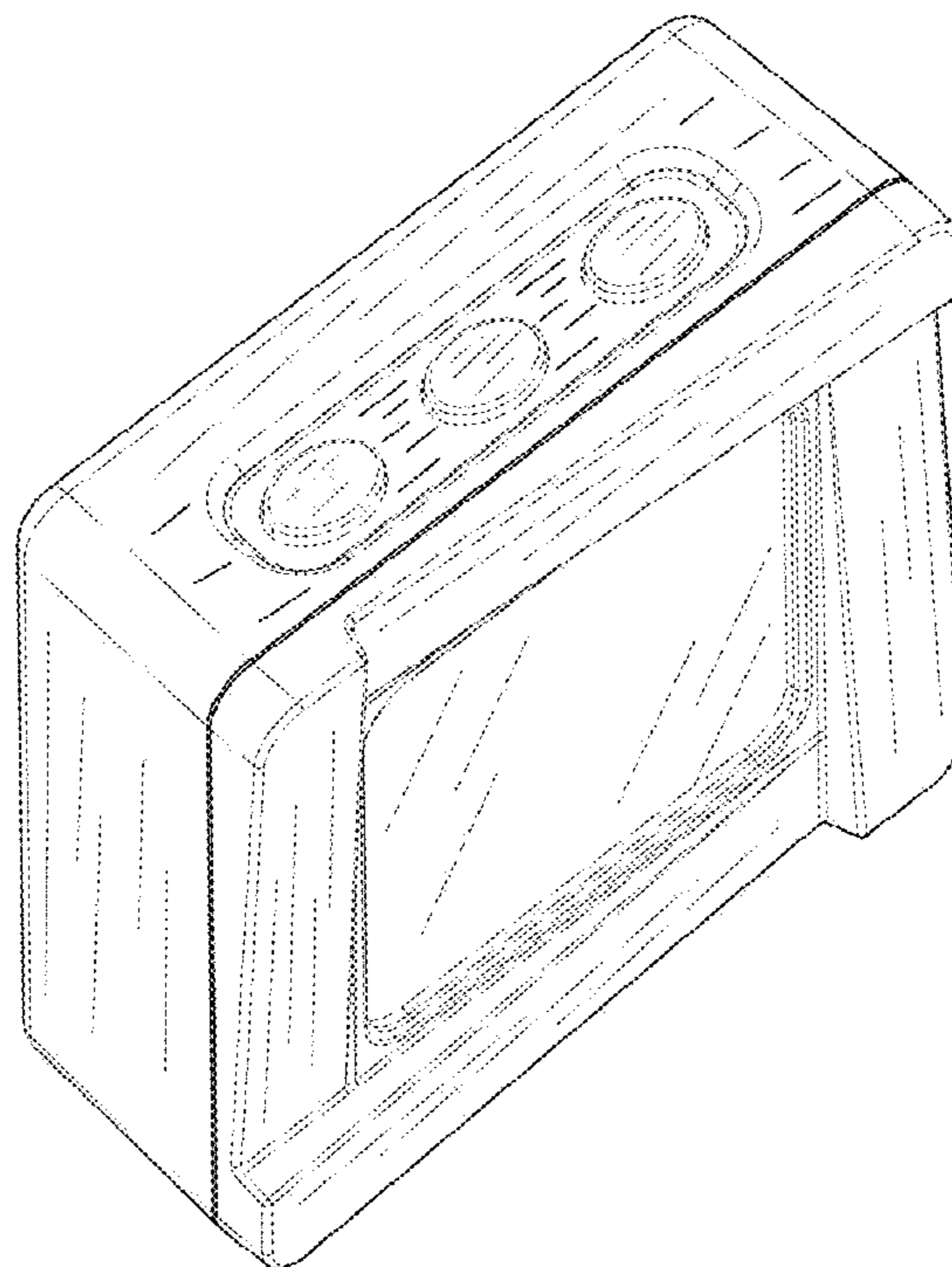
(56) **References Cited**

U.S. PATENT DOCUMENTS

D45,095 S \* 12/1913 Smith ..... D10/27  
D85,741 S \* 12/1931 Dinstman ..... D10/26  
D175,305 S \* 8/1955 Hall, Jr. .... D10/1  
D228,515 S \* 10/1973 Watanabe ..... D10/15  
D261,766 S \* 11/1981 Miyanaga ..... D10/15

FIG. 1 is a perspective view of an electronic clock timer showing my new design;  
FIG. 2 is a front view thereof;  
FIG. 3 is a rear view thereof;  
FIG. 4 is a left side view thereof;  
FIG. 5 is a right side view thereof;  
FIG. 6 is a top view thereof; and,  
FIG. 7 is a bottom view thereof.  
The broken lines in the drawings represent environment and form no part of the claimed design.

**1 Claim, 6 Drawing Sheets**



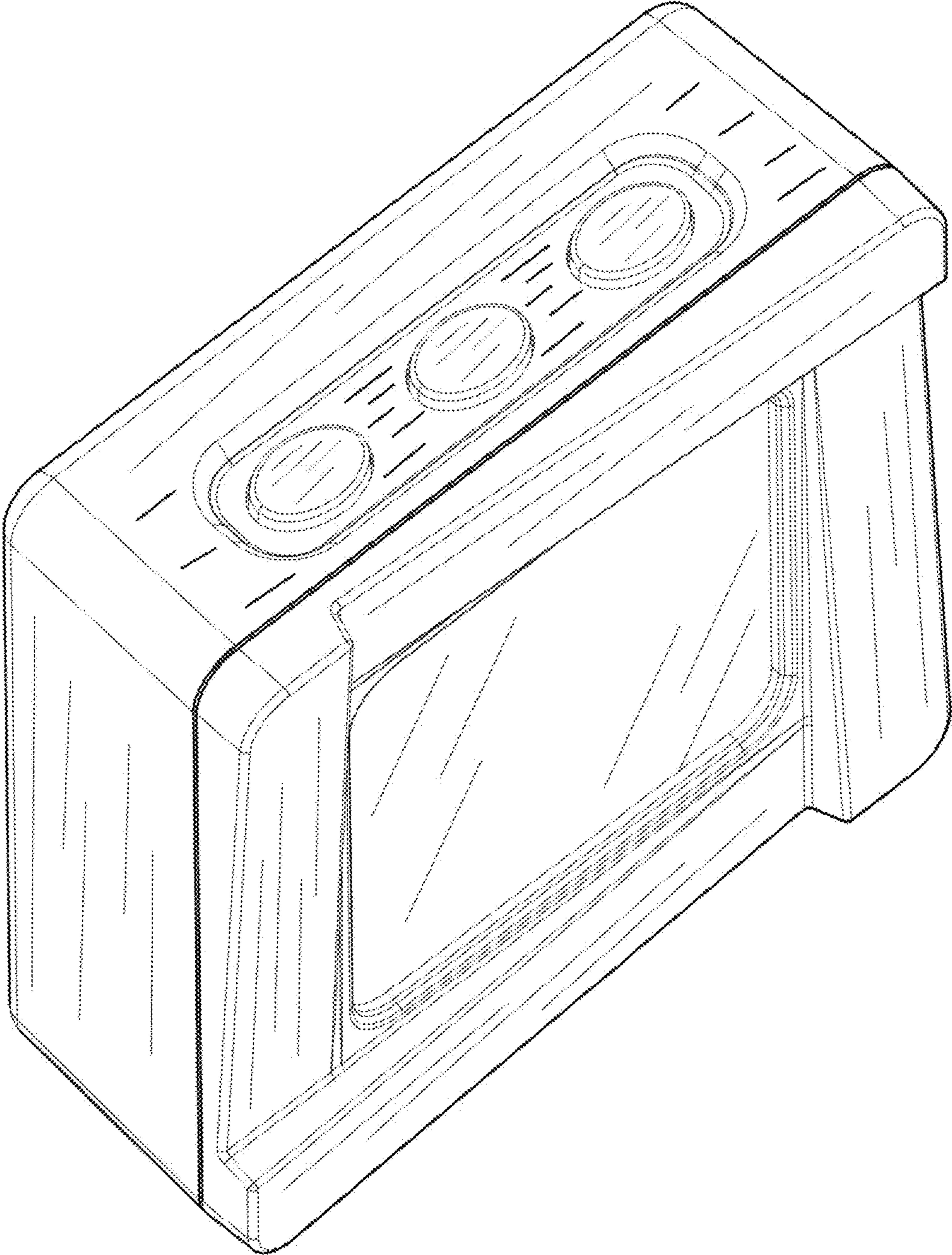


FIG. 1

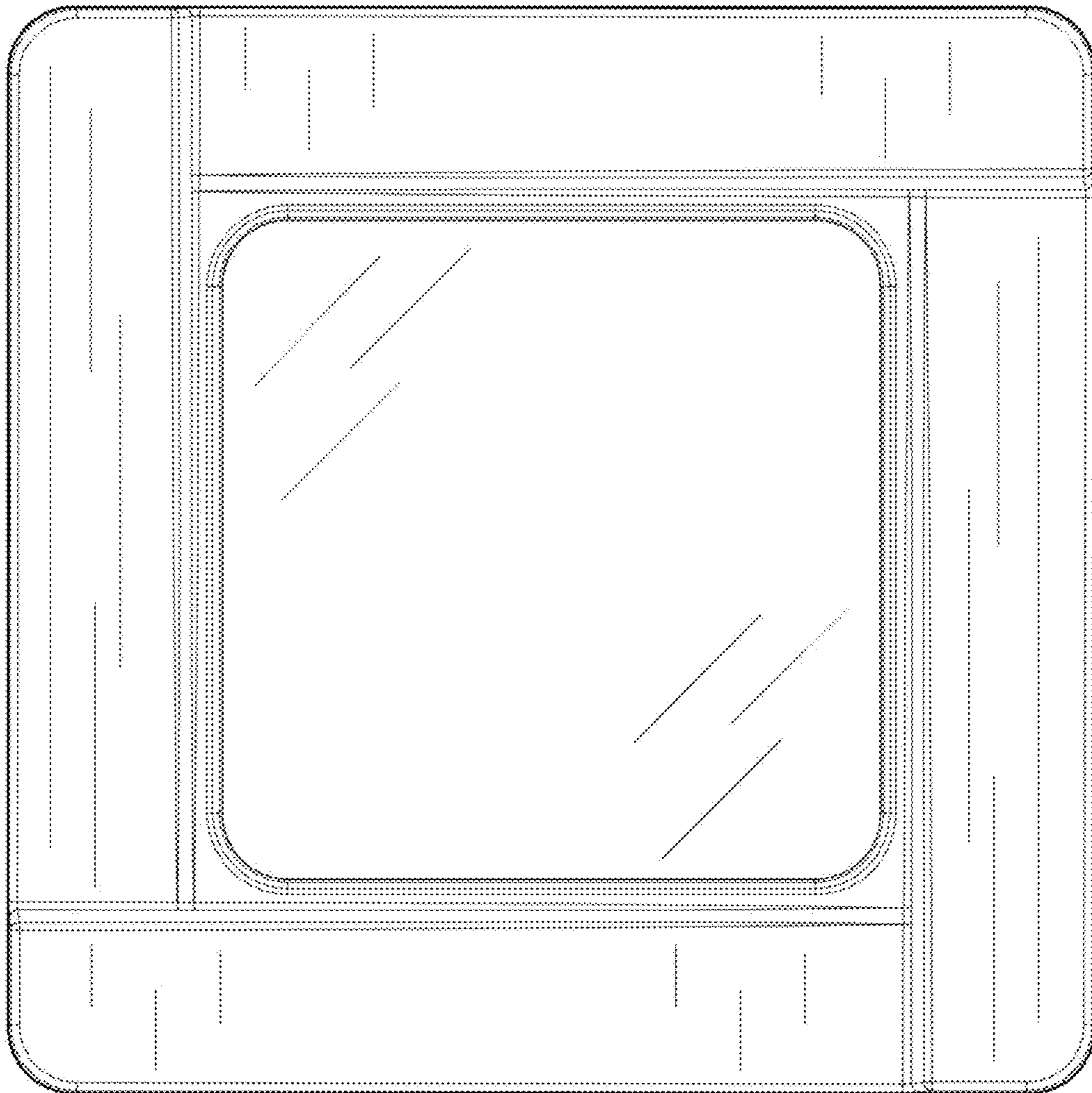


FIG. 2



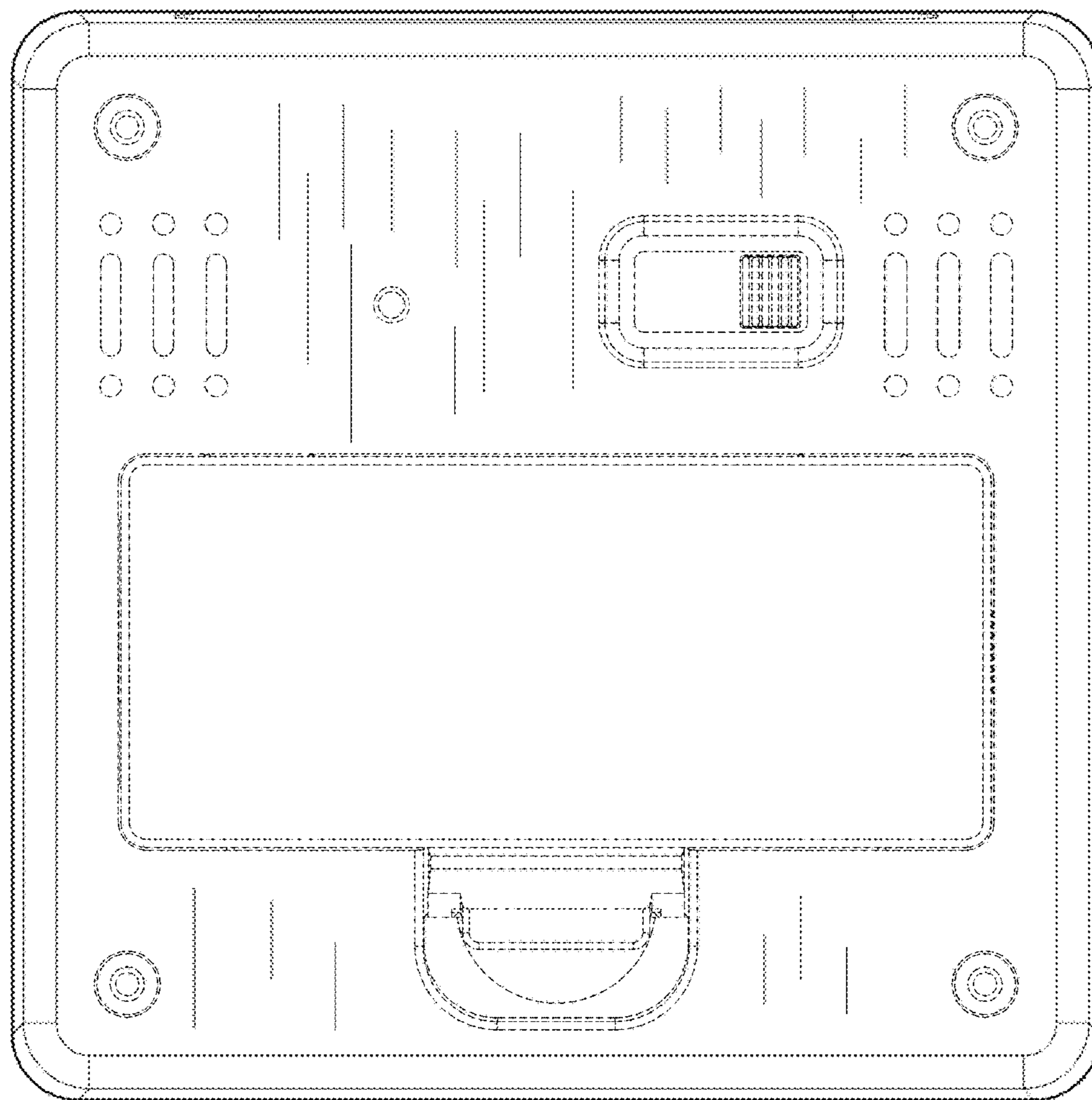


FIG. 3

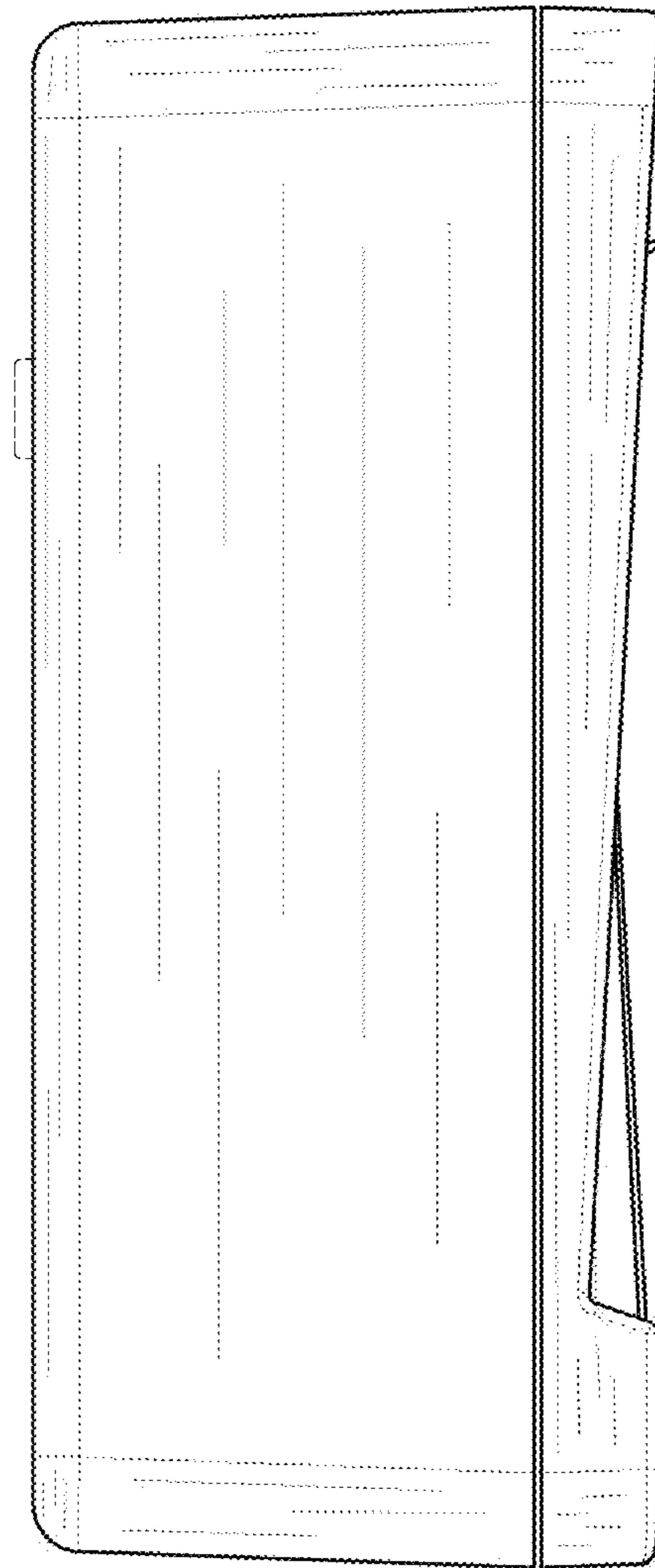


FIG. 4

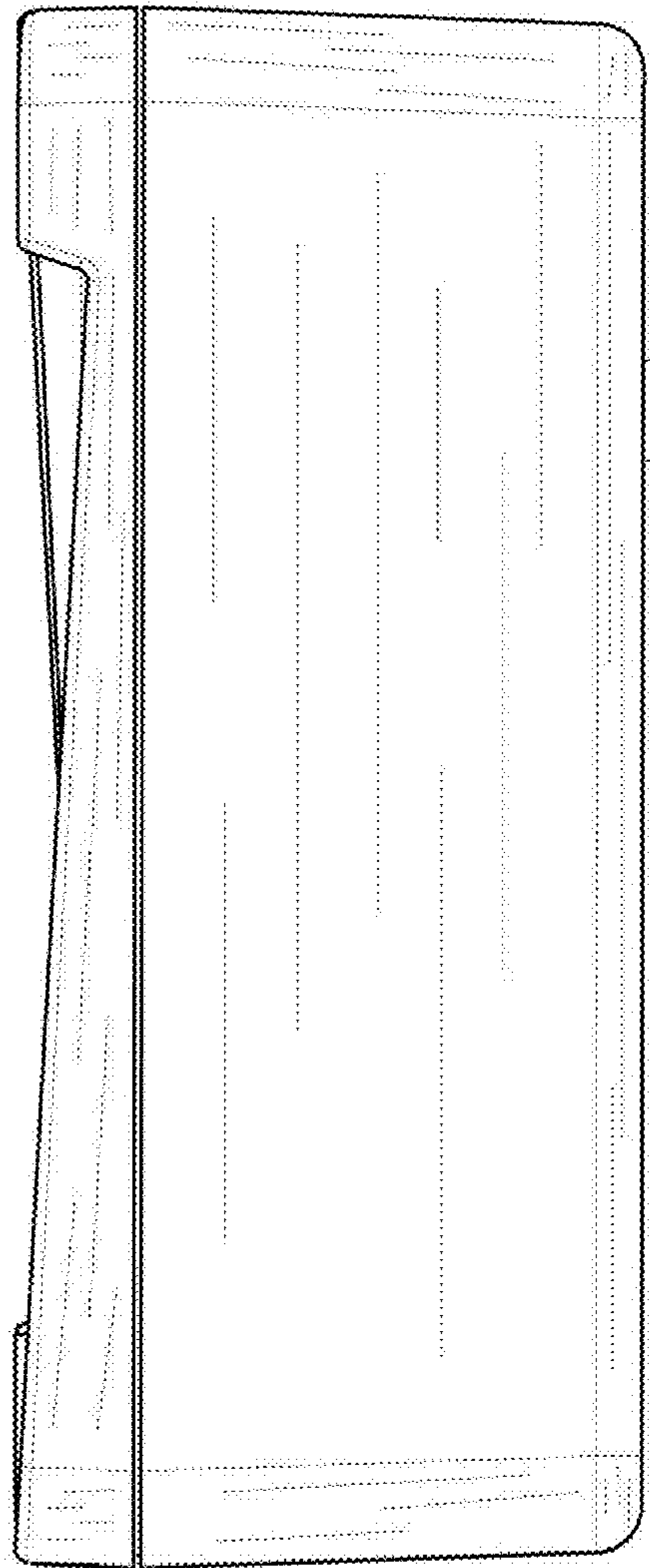


FIG. 5

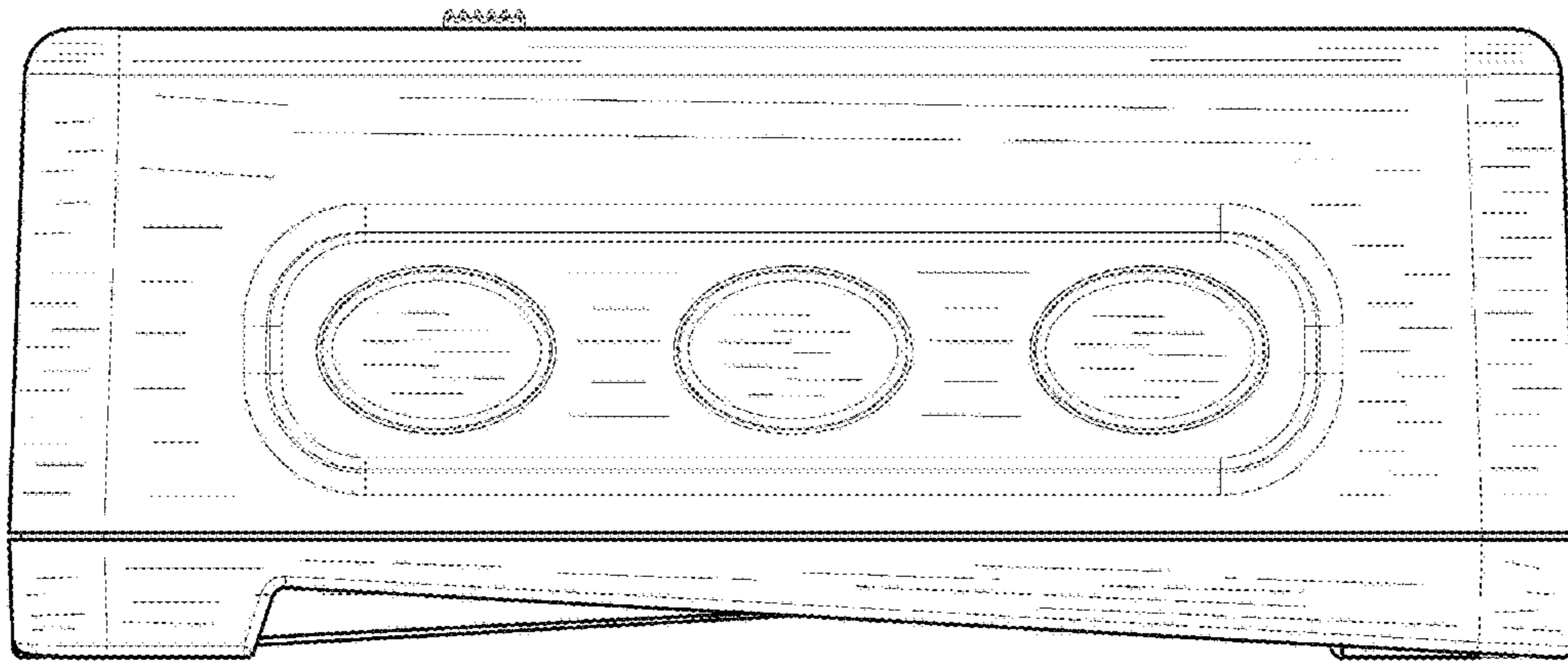


FIG. 6

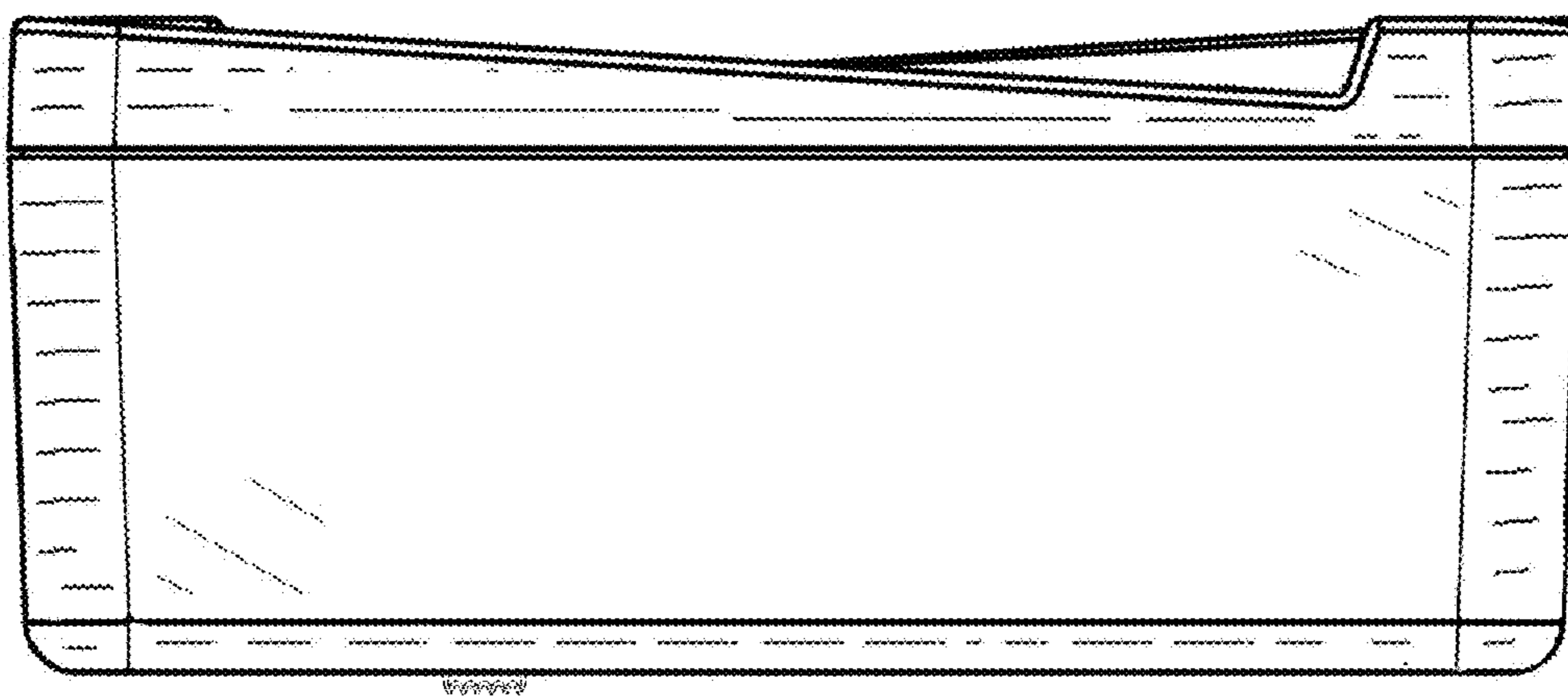


FIG. 7