



US00D863983S

(12) **United States Design Patent**
Fitz et al.

(10) **Patent No.:** **US D863,983 S**

(45) **Date of Patent:** **** Oct. 22, 2019**

(54) **BOTTLE FOR HOLDING A CRYSTAL**

(71) Applicant: **Ascention Beauty Co., LLC**, Roseland, NJ (US)

(72) Inventors: **Greta Fitz**, Roseland, NJ (US); **Jon Dinapoli**, New York, NY (US)

(73) Assignee: **Ascention Beauty Co., LLC**, Roseland, NJ (US)

(**) Term: **15 Years**

(21) Appl. No.: **29/685,821**

(22) Filed: **Mar. 31, 2019**

(51) **LOC (12) Cl.** **09-01**

(52) **U.S. Cl.**
USPC **D9/745; D9/454; D9/503**

(58) **Field of Classification Search**
USPC D9/434–435, 444–445, 454, 500,
D9/503–504, 516, 530, 537, 539, 549,
D9/558, 715, 719, 737, 741, 745;
D19/93; D28/91.1
CPC B65D 1/00; B65D 1/02; B65D 1/0261;
B65D 1/04; B65D 1/06; B65D 2501/00;
B65D 2501/0009
See application file for complete search history.

(56) **References Cited**

U.S. PATENT DOCUMENTS

279,216 A * 6/1883 Berlien B65D 1/04
215/6
D181,056 S * 9/1957 Jenkins D9/504

D237,926 S * 12/1975 Katzander D6/529
D414,811 S * 10/1999 Base D9/503
D633,803 S * 3/2011 Murphy D9/516
D711,180 S * 8/2014 Villa D7/300.1
D728,382 S * 5/2015 Goswell D9/504
D778,733 S * 2/2017 Eberlein D9/504
D820,043 S * 6/2018 Leslie-Shattenkirk D7/507
D822,500 S * 7/2018 Vargas-Folch D9/682
D829,053 S * 9/2018 Leslie-Shattenkirk D7/507

* cited by examiner

Primary Examiner — Dana Meyrow

(74) *Attorney, Agent, or Firm* — Sideman and Bancroft LLC; Guy W. Chambers

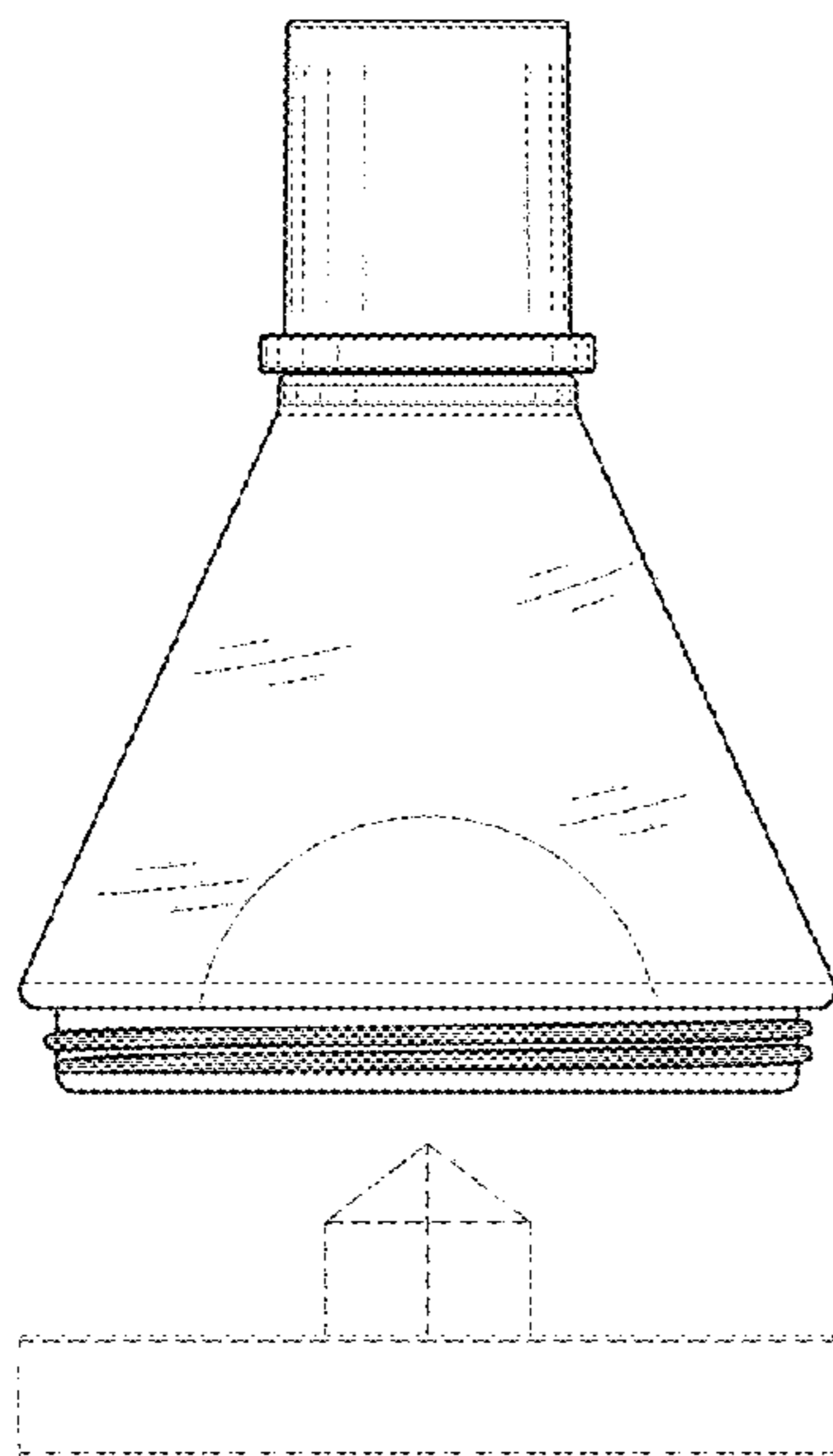
(57) **CLAIM**

The ornamental design for a bottle for holding a crystal, as shown and described.

DESCRIPTION

FIG. 1 is a perspective view of a bottle for holding a crystal in accordance with my design;
FIG. 2 is a lower perspective view thereof;
FIG. 3 is an exploded perspective view thereof;
FIG. 4 is a left side view thereof;
FIG. 5 is a right side view thereof;
FIG. 6 is an exploded side view thereof;
FIG. 7 is a top plan view thereof; and,
FIG. 8 is a bottom plan view thereof.
The broken lines in the drawings illustrate the portions of the perfume bottle that form no part of the claim.

1 Claim, 8 Drawing Sheets



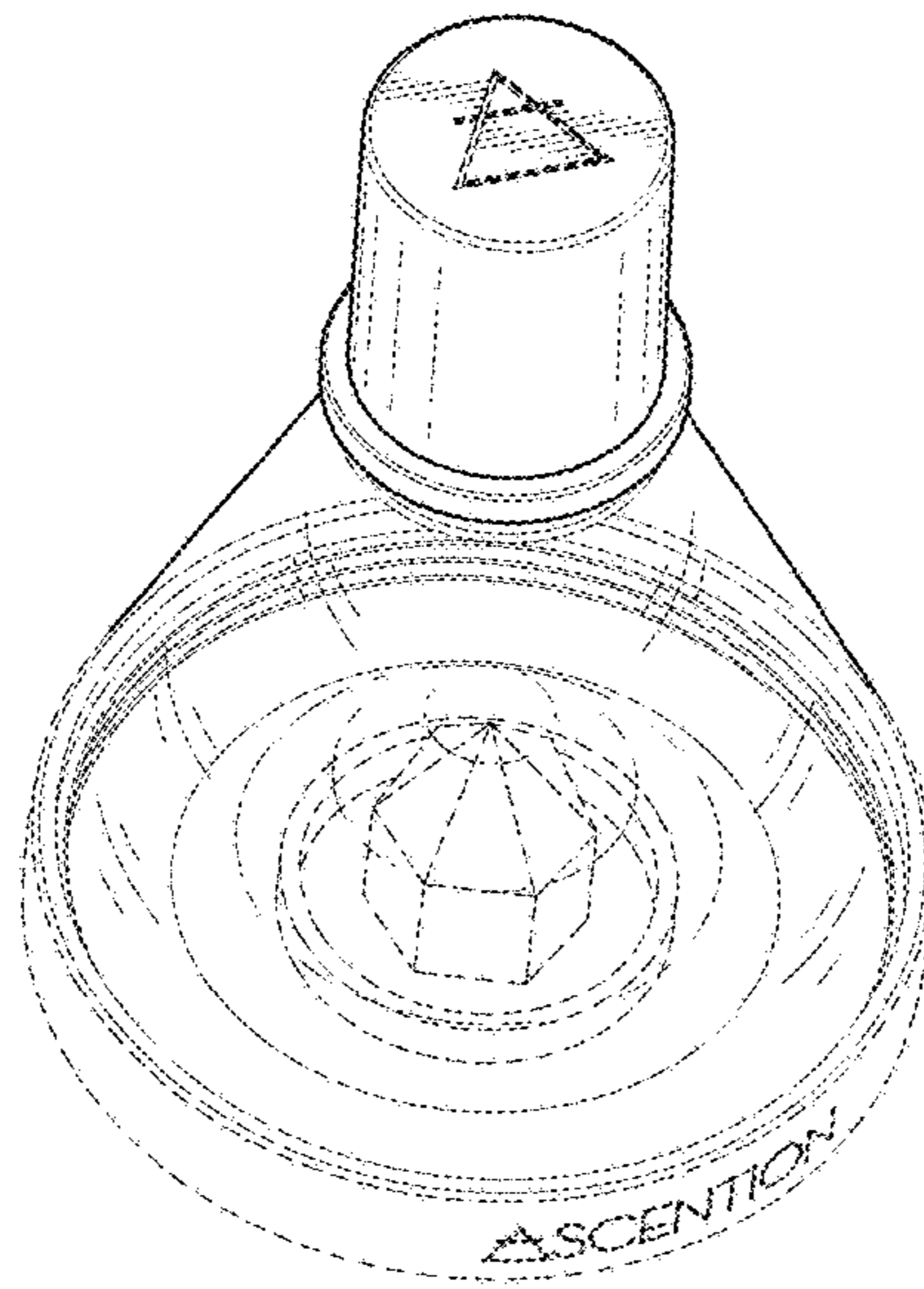


FIG. 1

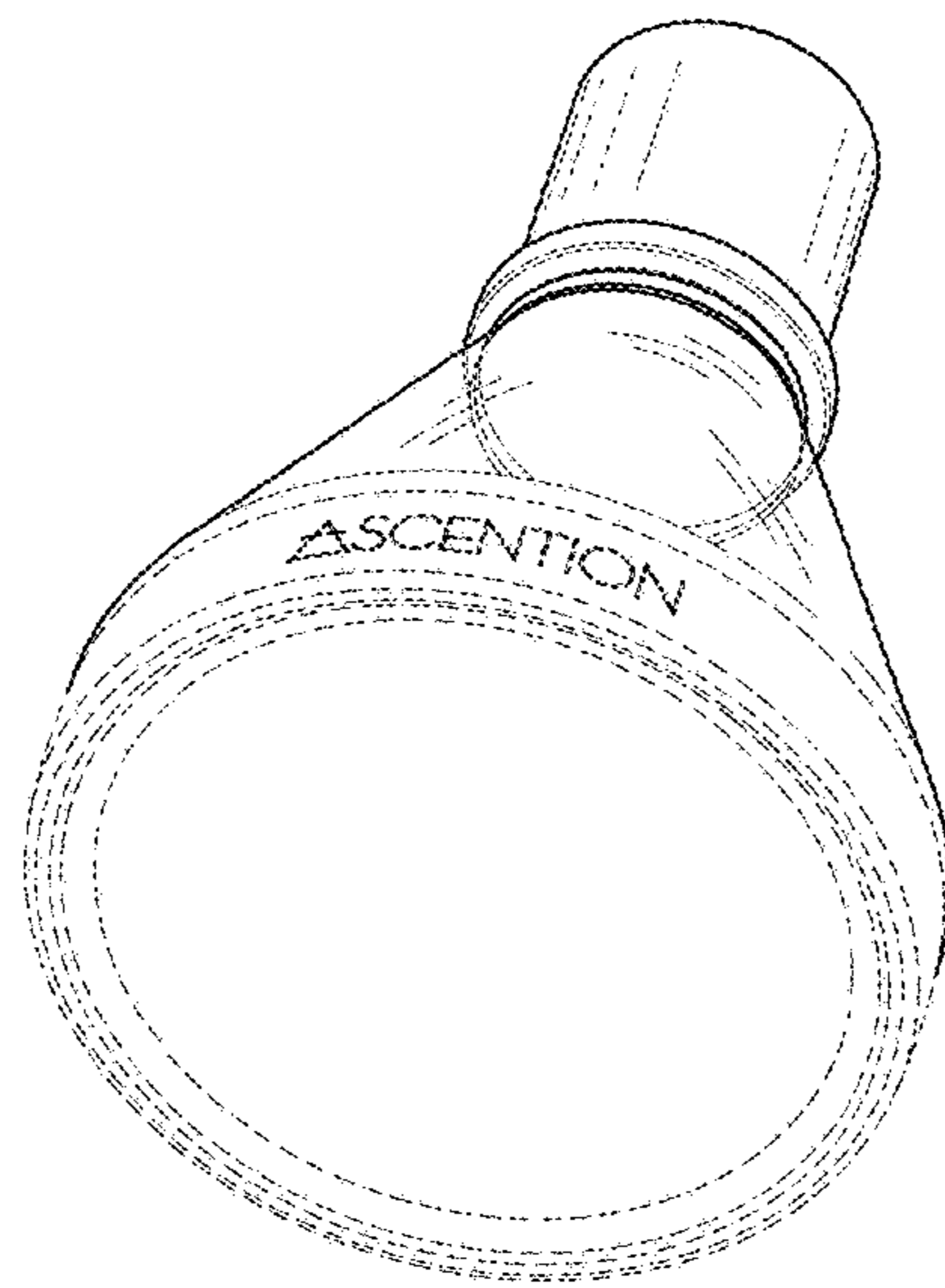


FIG. 2

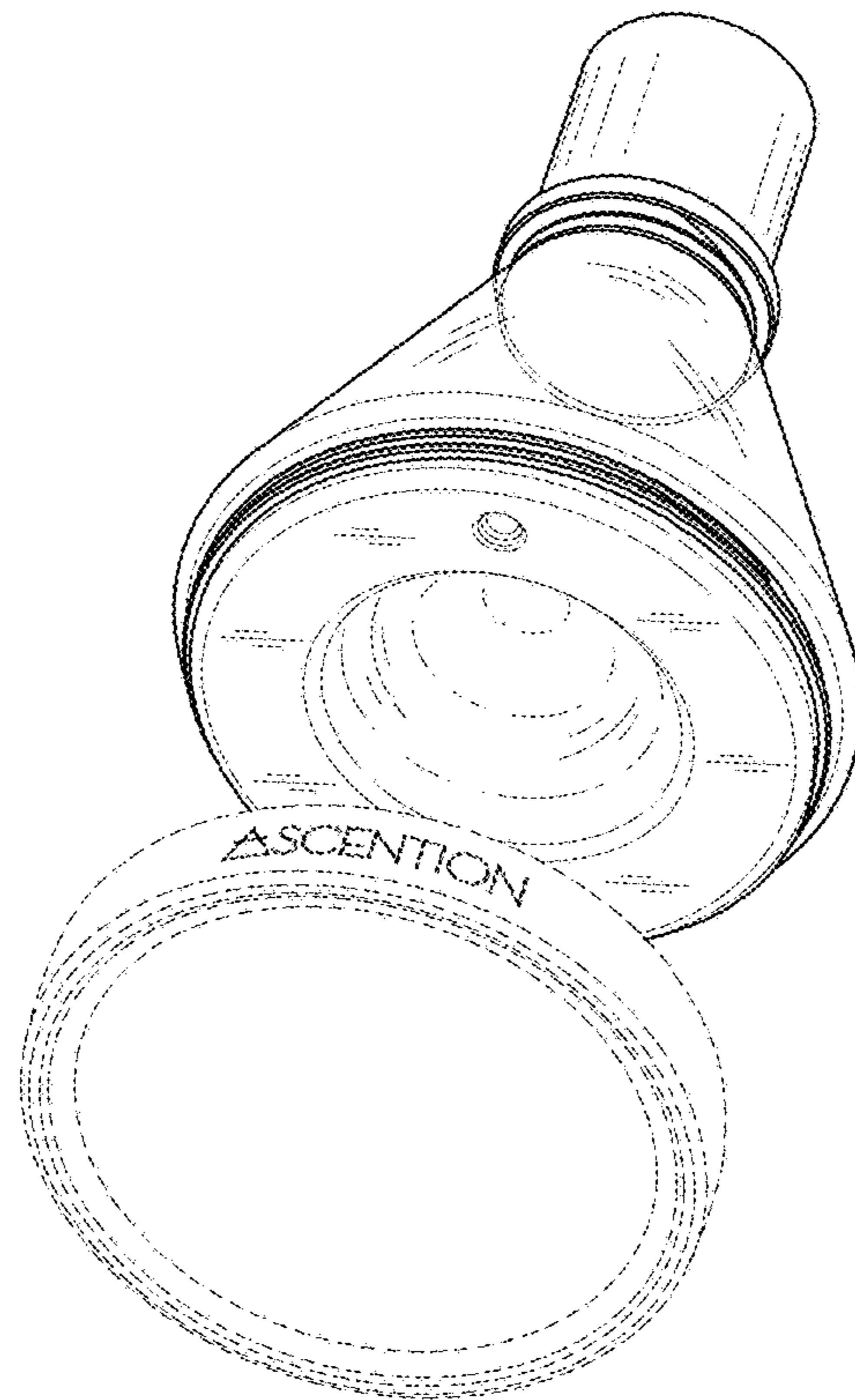


FIG. 3

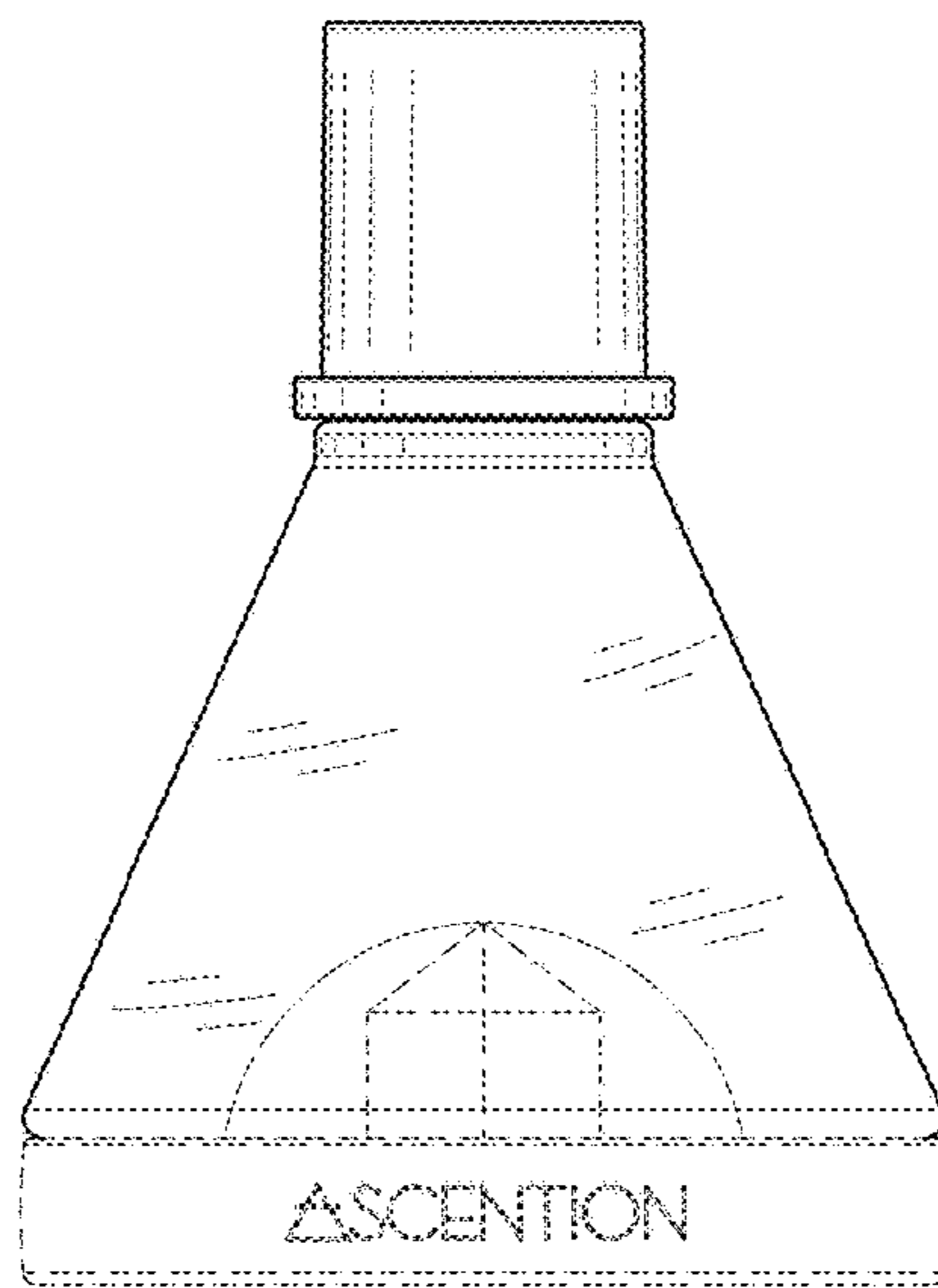


FIG. 4

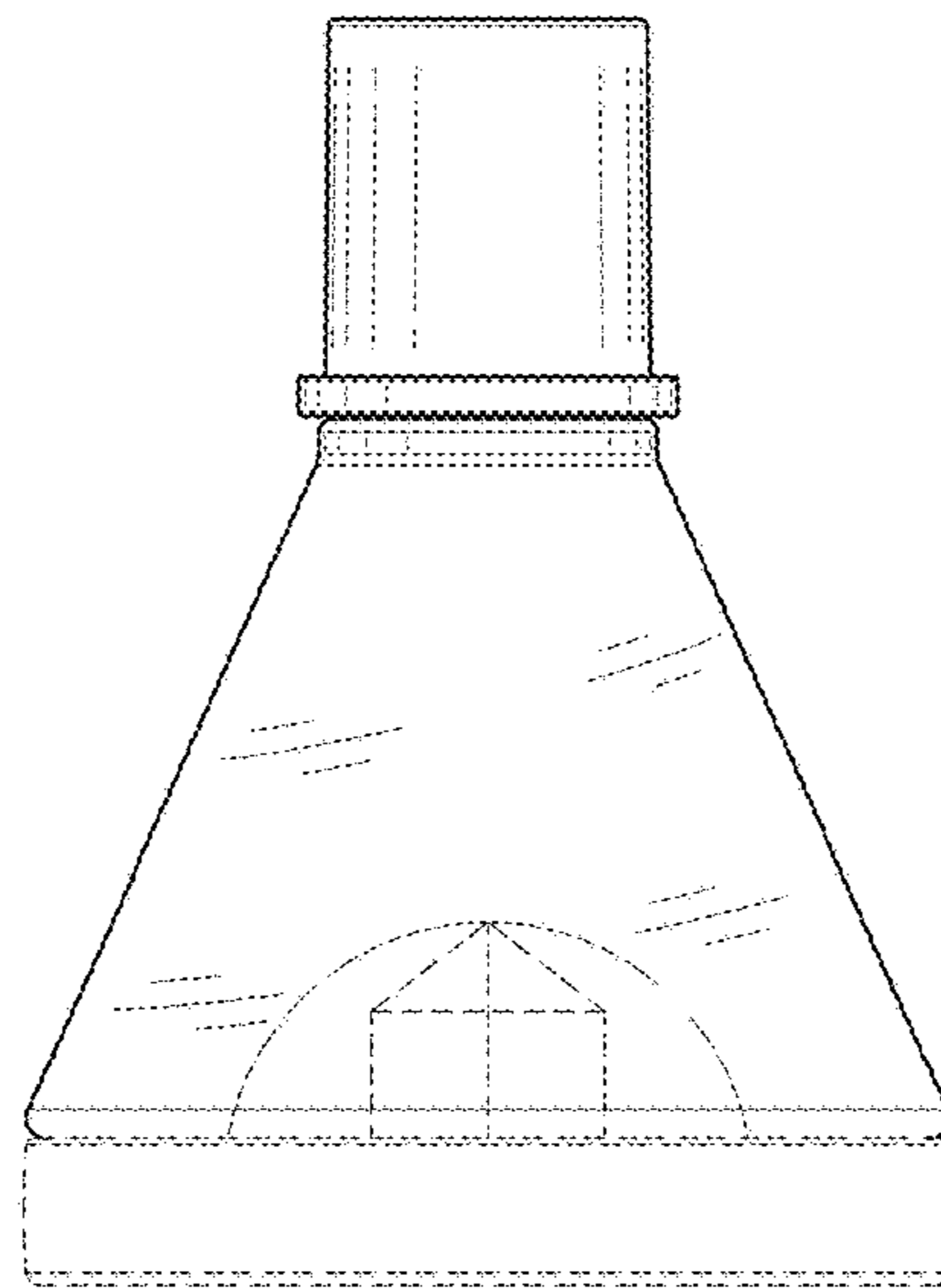


FIG. 5

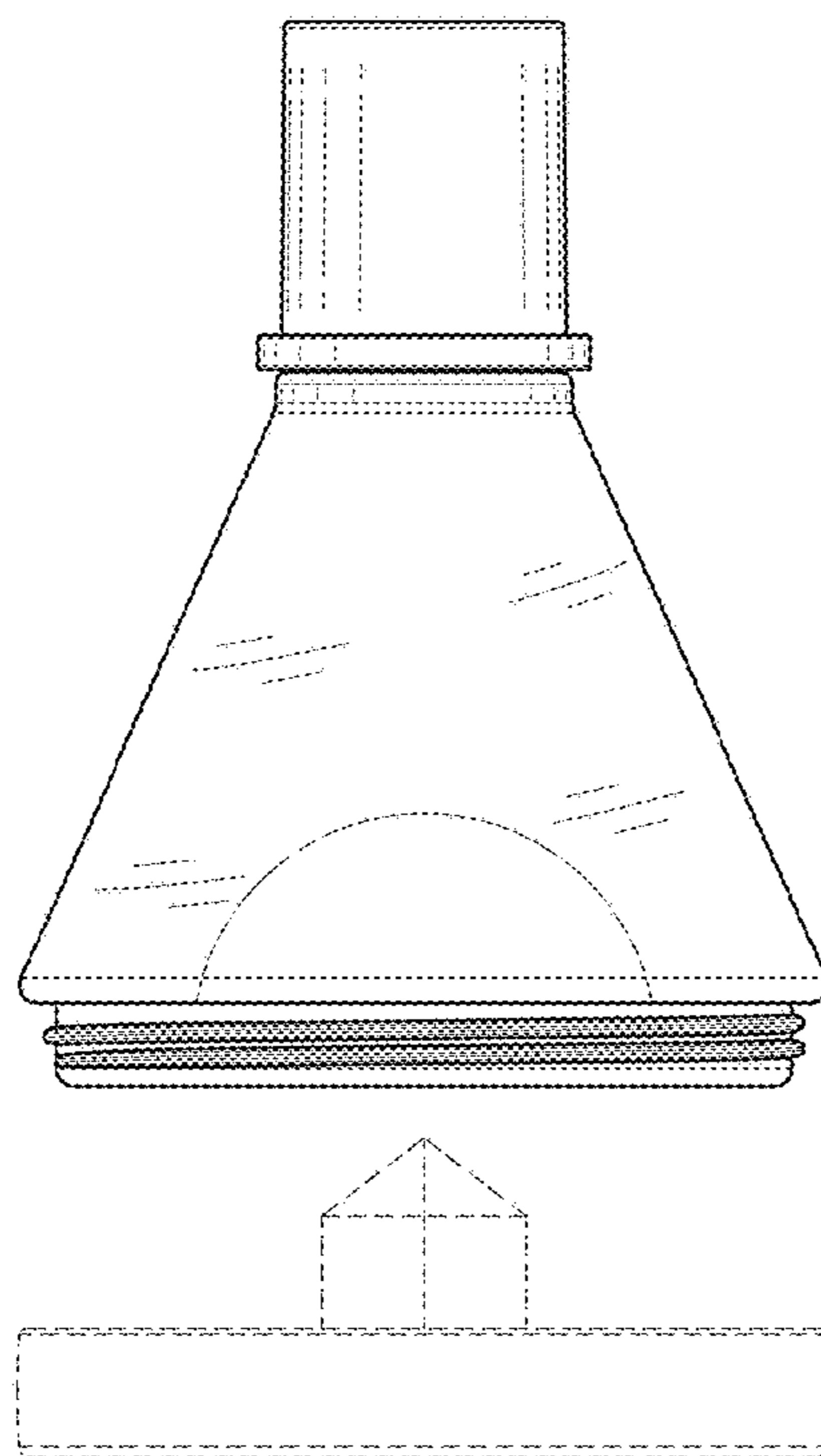


FIG. 6

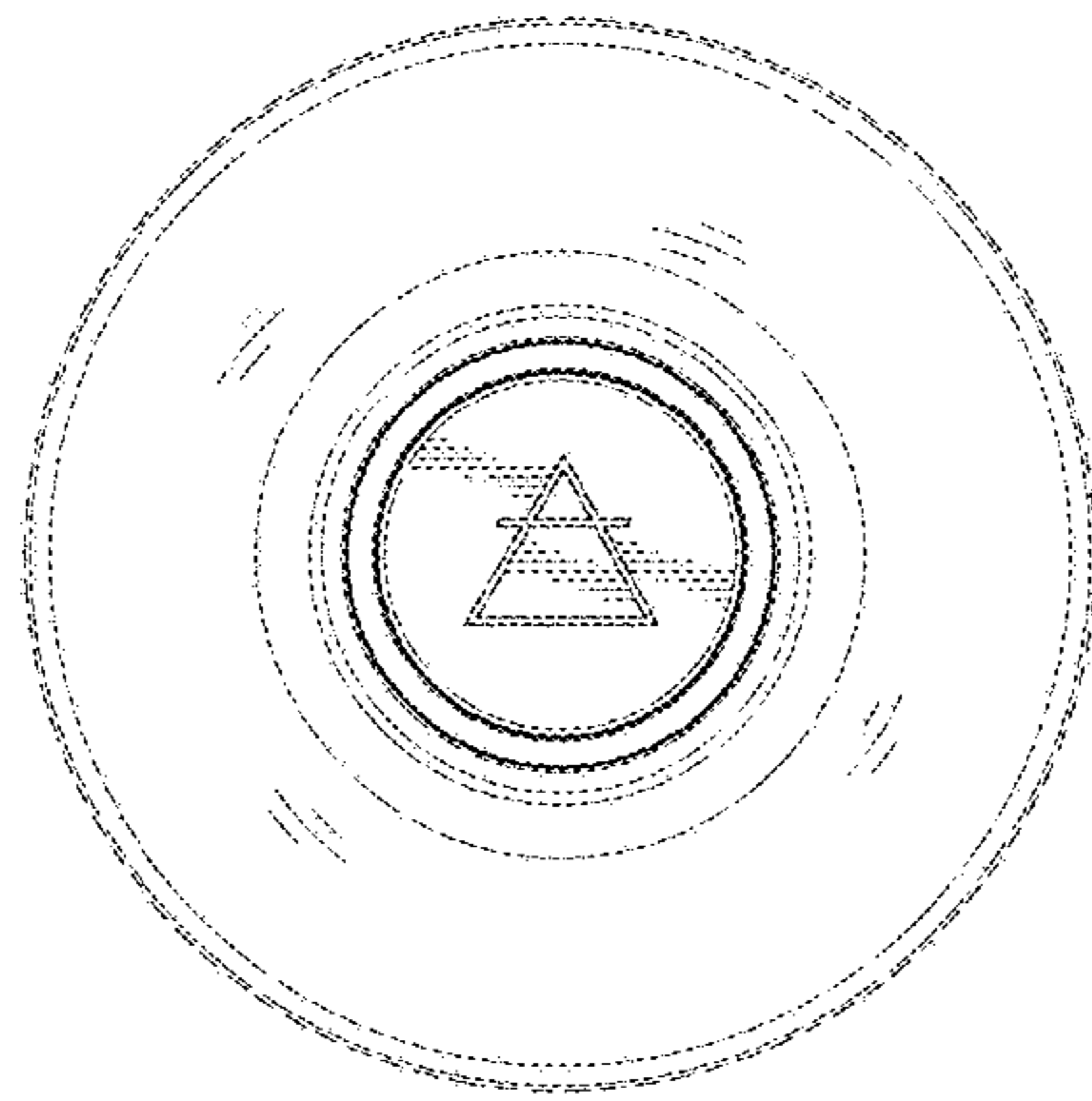


FIG. 7

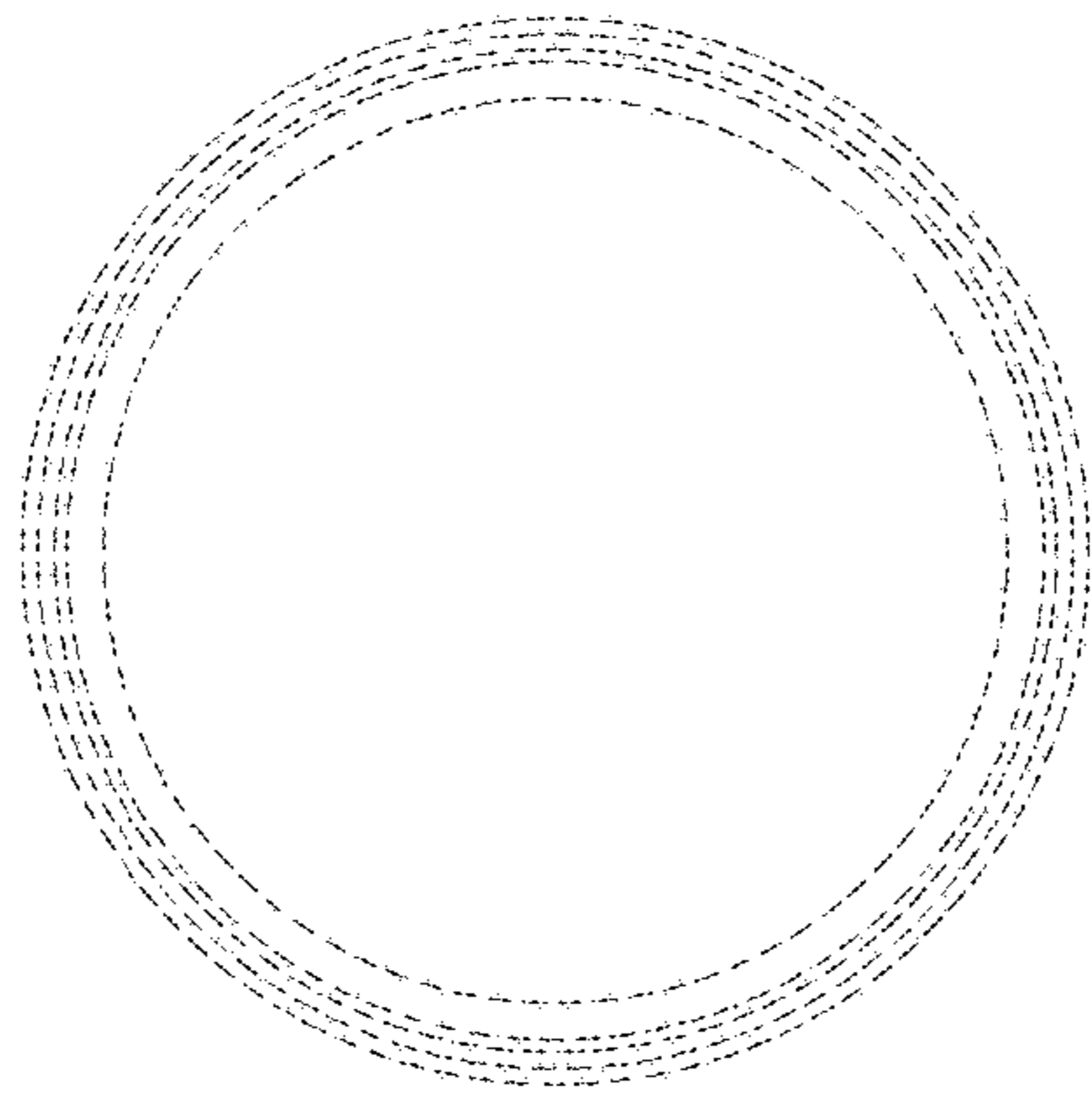


FIG. 8