



US00D863981S

(12) **United States Design Patent** (10) **Patent No.:** **US D863,981 S**
Vranich (45) **Date of Patent:** **** *Oct. 22, 2019**

(54) **FOOD CONTAINER**

(71) Applicant: **Little Spoon Organic, LLC**, San Francisco, CA (US)
(72) Inventor: **Angela Vranich**, San Francisco, CA (US)
(73) Assignee: **Little Spoon, Inc.**, New York, NY (US)
(*) Notice: This patent is subject to a terminal disclaimer.

(**) Term: **15 Years**

(21) Appl. No.: **29/561,546**

(22) Filed: **Apr. 18, 2016**

(51) **LOC (12) Cl.** **09-03**

(52) **U.S. Cl.**
USPC **D9/717**

(58) **Field of Classification Search**
USPC D9/414, 424, 425, 428, 715, 717, 716, D9/718, 719, 761; D7/601, 602, 637, D7/638, 641; D3/201, 202; 206/216, 206/229, 745, 751; 220/212, 574, 574.1
CPC A47G 19/06; A47G 19/03; A47G 19/2205; A47G 21/04; A47G 23/03; A47G 19/2266; B65D 51/246; B65D 2543/00296; B65D 51/28; B65D 2543/00092; B65D 51/24; B65D 77/24; B65D 81/36; B65D 43/0212; B65D 2543/00842; B65D 51/247; B65D 1/36; B65D 2543/00194; B65D 5/4204; B65D 85/00; B65D 21/0233; B65D 83/00; B65D 81/2015; B65D 81/3453; B65D 83/0805; B65D 2543/00648; B65D 43/02; B65D 2543/00231

See application file for complete search history.

(56) **References Cited**

U.S. PATENT DOCUMENTS

5,443,174 A * 8/1995 Bauer B65D 51/246 206/541
5,806,575 A * 9/1998 Tsay B65D 81/2015 141/192
D429,147 S * 8/2000 Baker D9/717
D601,381 S * 10/2009 Stamper D7/505
D614,950 S * 5/2010 Colacitti D7/354
D649,033 S * 11/2011 Epstein D9/425
D681,451 S * 5/2013 Kui D9/432
D741,167 S * 10/2015 Bouveret D9/425
2003/0015532 A1 * 1/2003 Rickman B25H 3/006 220/212
2004/0007583 A1 * 1/2004 Lin B65D 43/162 220/835
2004/0094548 A1 * 5/2004 Laveault B65D 51/246 220/212
2006/0283866 A1 * 12/2006 Mendenhall A47G 19/06 220/575
2009/0120942 A1 * 5/2009 Vovan B65D 43/0239 220/574.1

(Continued)

Primary Examiner — Lauren R Calve

(74) *Attorney, Agent, or Firm* — Clark Hill PLC

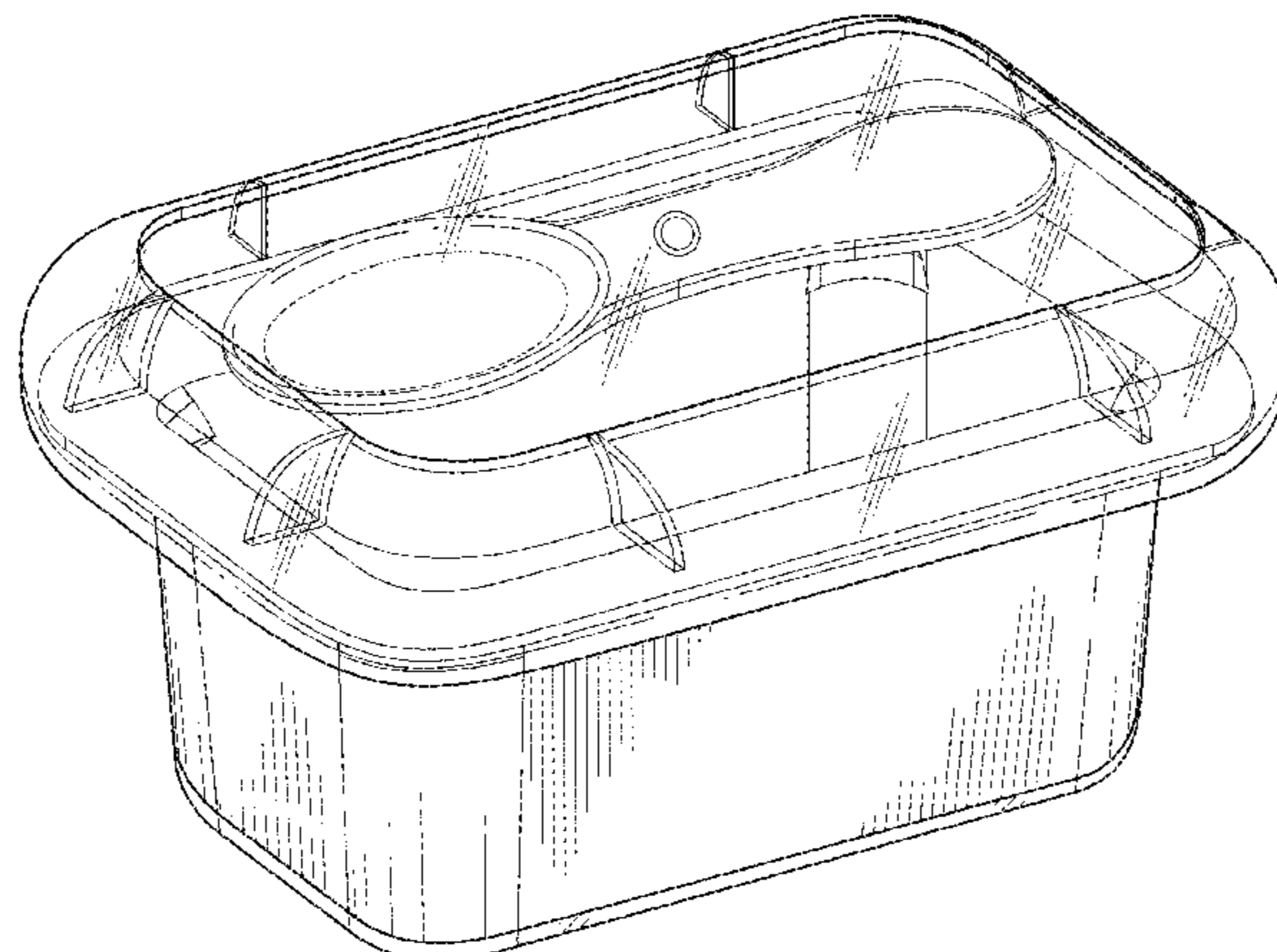
(57) **CLAIM**

The ornamental design for a food container, as shown and described.

DESCRIPTION

FIG. 1 is a top perspective view of a food container.
FIG. 2 is a side elevation view of the food container.
FIG. 3 is a second side elevation view of the food container.
FIG. 4 is an end elevation view of the food container.
FIG. 5 is a second elevation view of the food container.
FIG. 6 is a top view of the food container.
FIG. 7 is a bottom view of the food container; and,
FIG. 8 is a bottom perspective view of the food container.

(Continued)



The broken lines shown represent unclaimed subject matter and form no part of the claimed design.

1 Claim, 5 Drawing Sheets

(56) **References Cited**

U.S. PATENT DOCUMENTS

| | | | | |
|--------------|------|---------|-----------------------|------------------------|
| 2012/0279964 | A1 * | 11/2012 | McGeough | B65D 43/162 220/212 |
| 2014/0131355 | A1 * | 5/2014 | Jentis | B65D 43/169 220/212 |
| 2015/0298883 | A1 * | 10/2015 | Van Puijenbroek | B65D 77/245 426/106 |
| 2016/0001941 | A1 * | 1/2016 | Crusius | B65D 51/246 220/212 |
| 2016/0016715 | A1 * | 1/2016 | Crawford | B65D 83/06 206/229 |

* cited by examiner

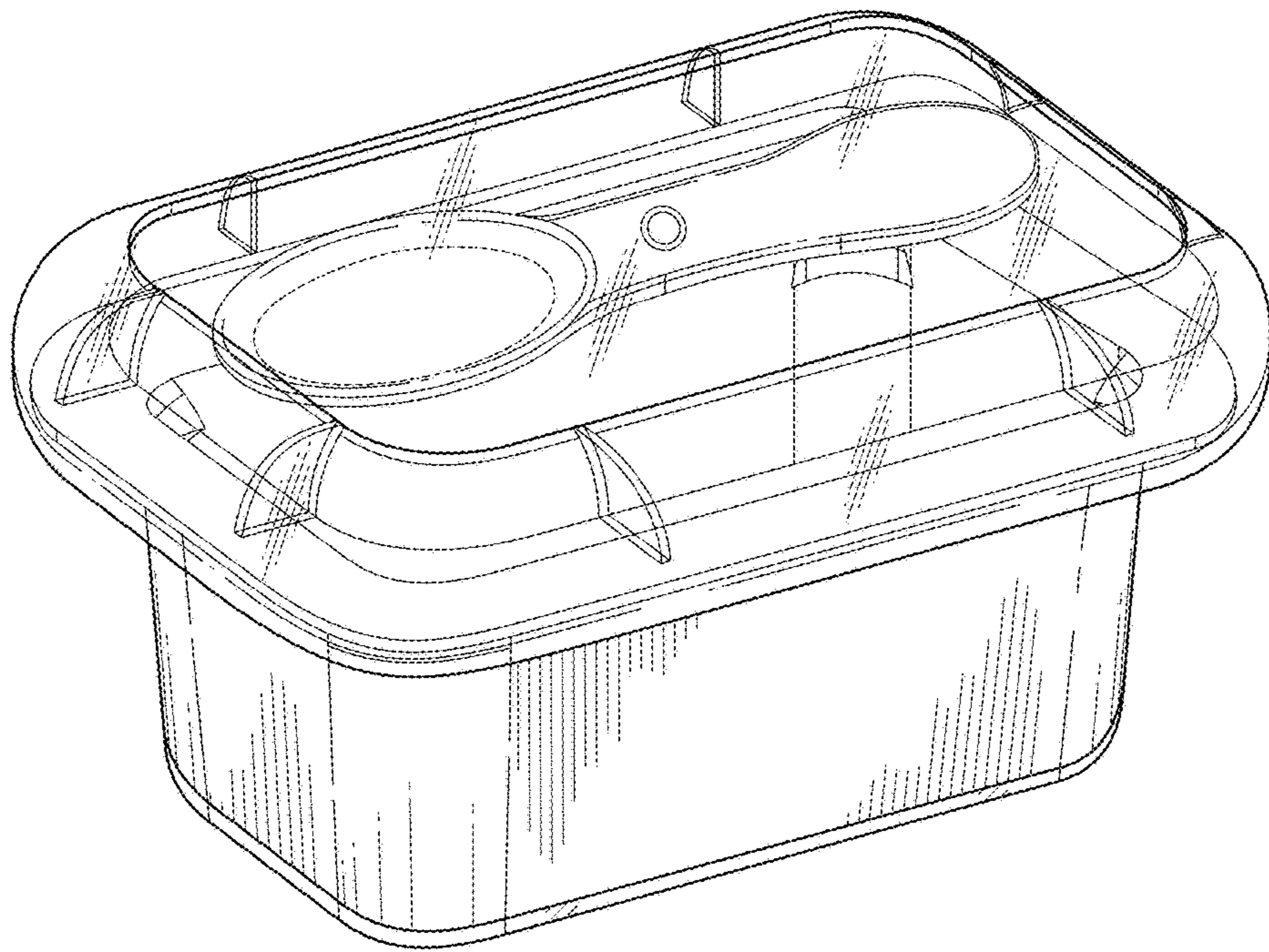


FIG. 1

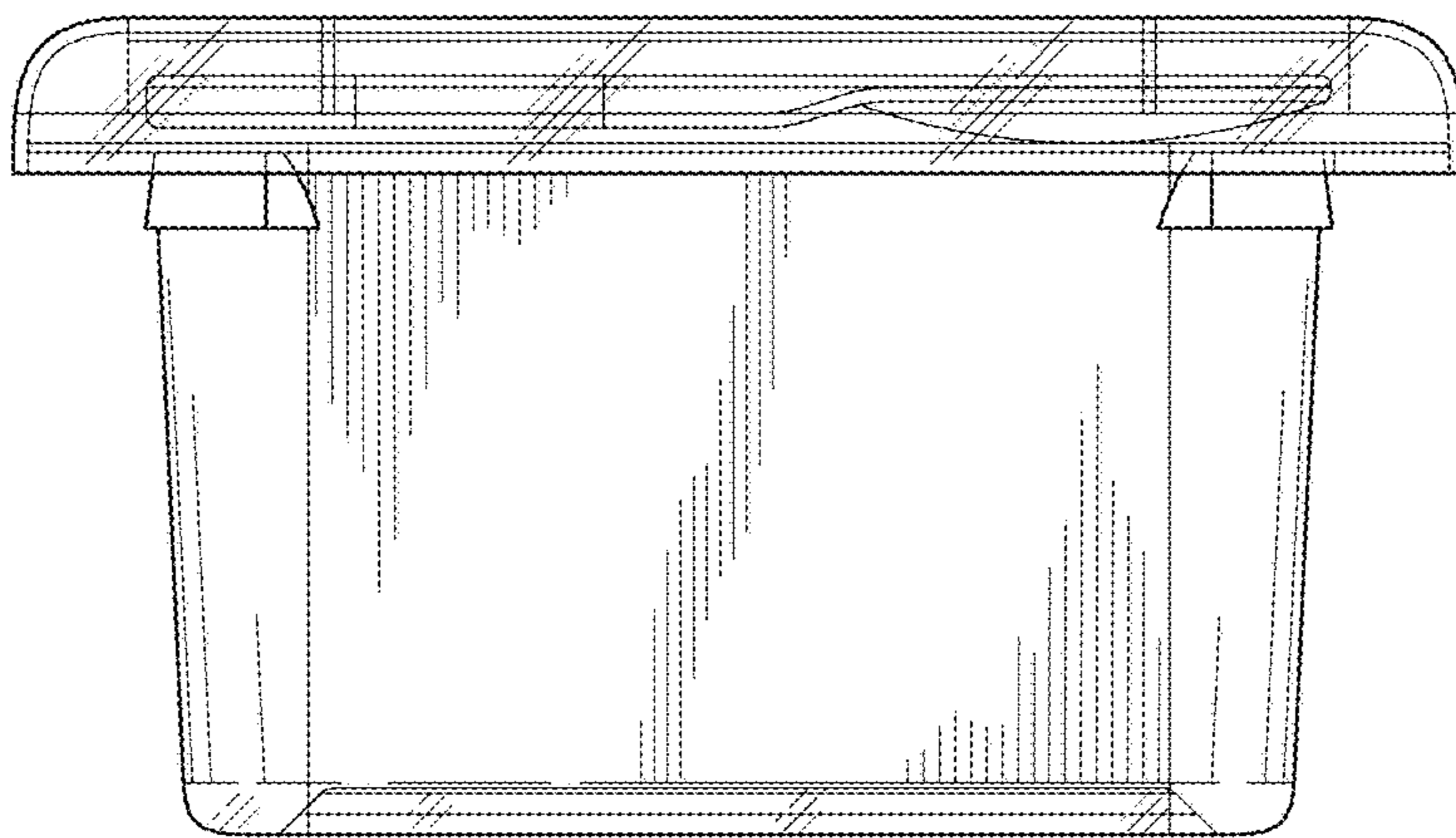


FIG. 2

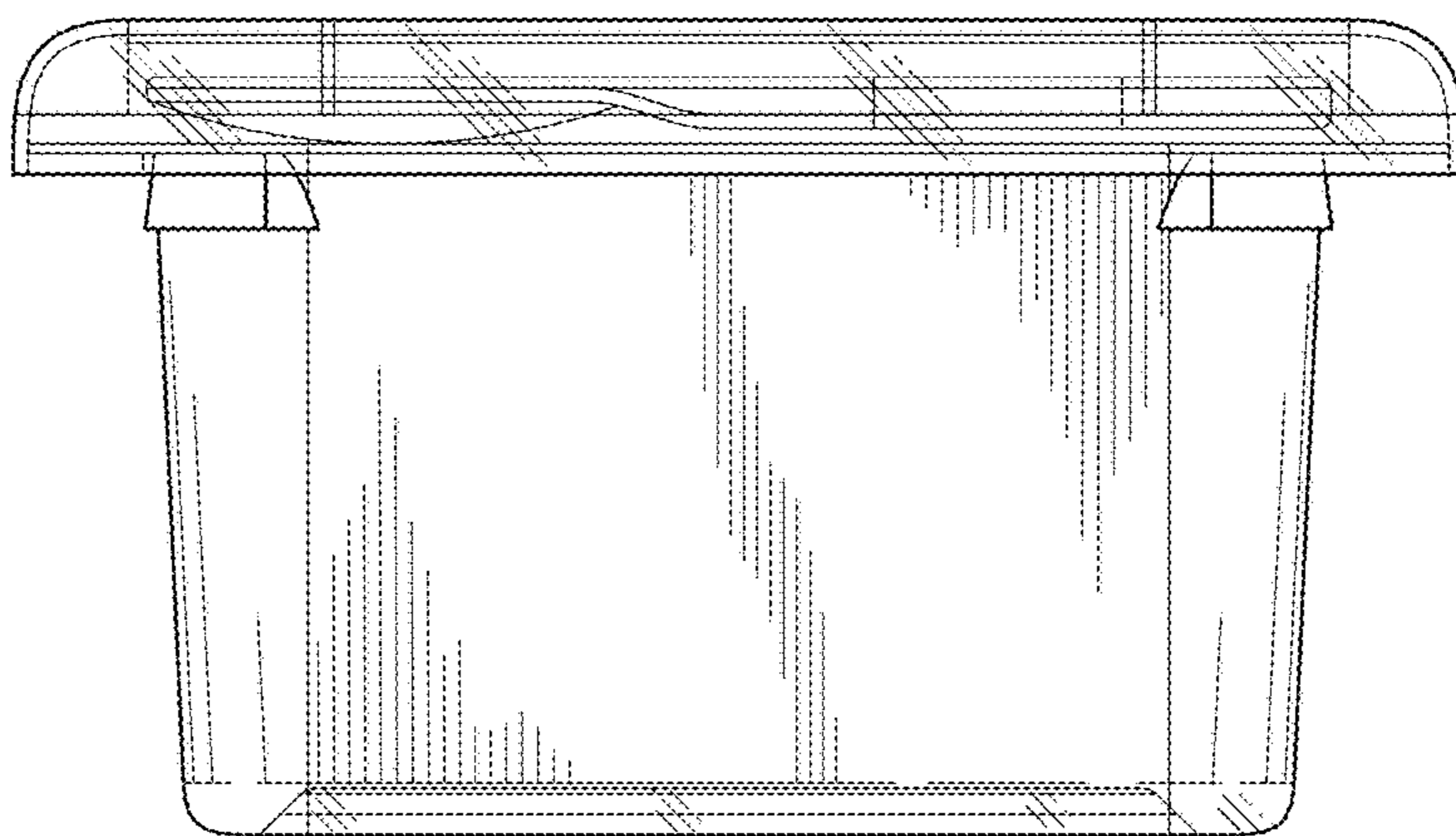


FIG. 3

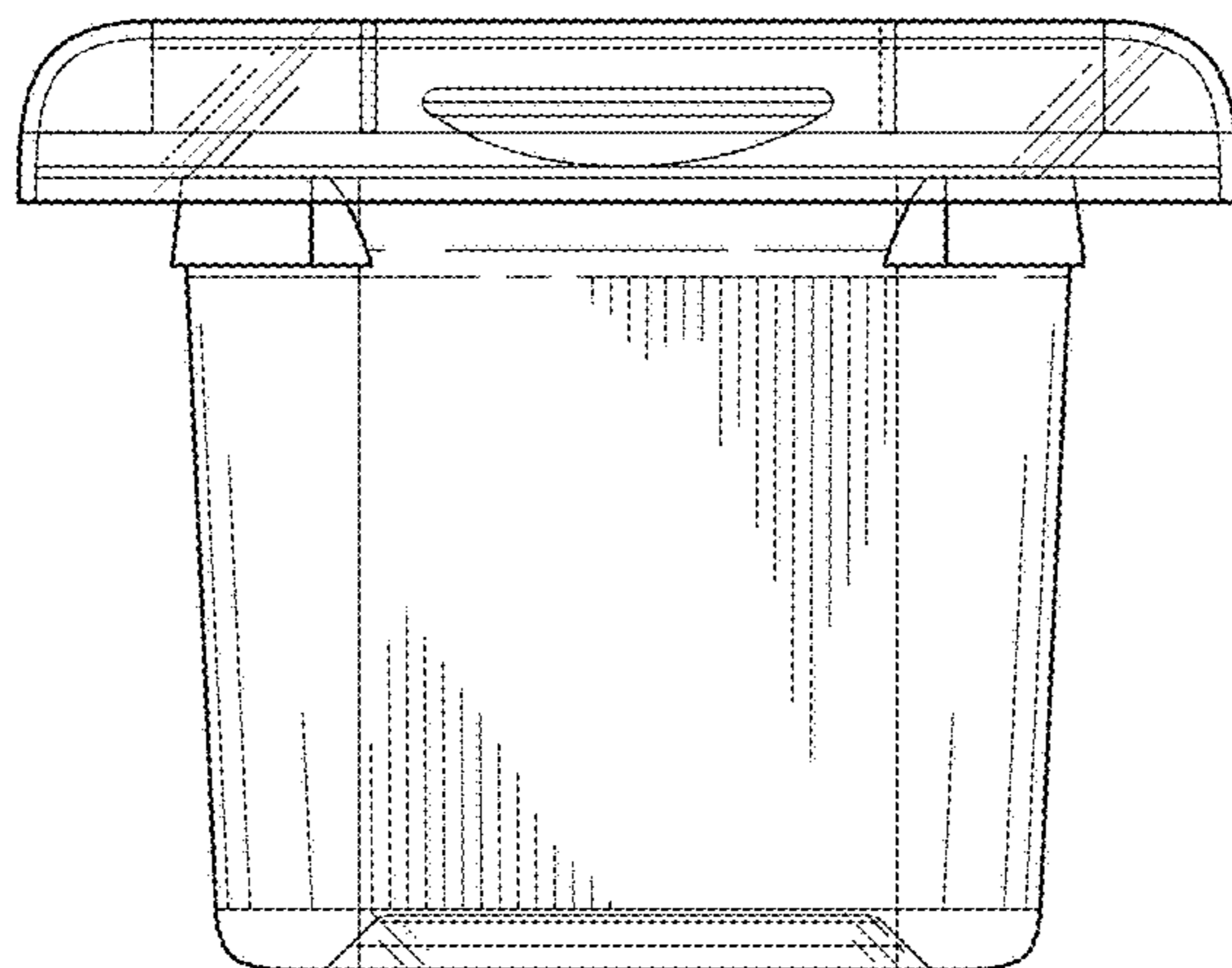


FIG. 4

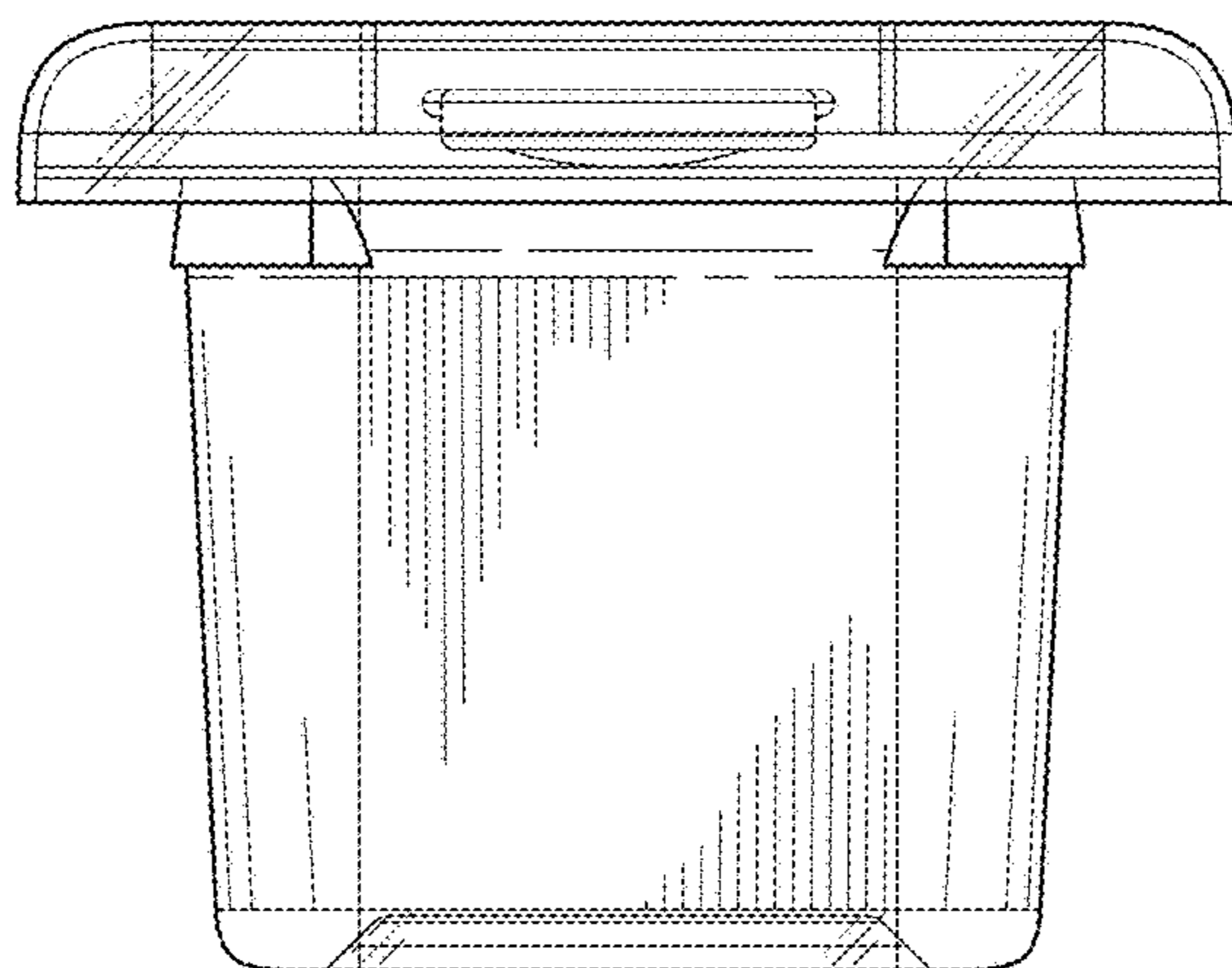


FIG. 5

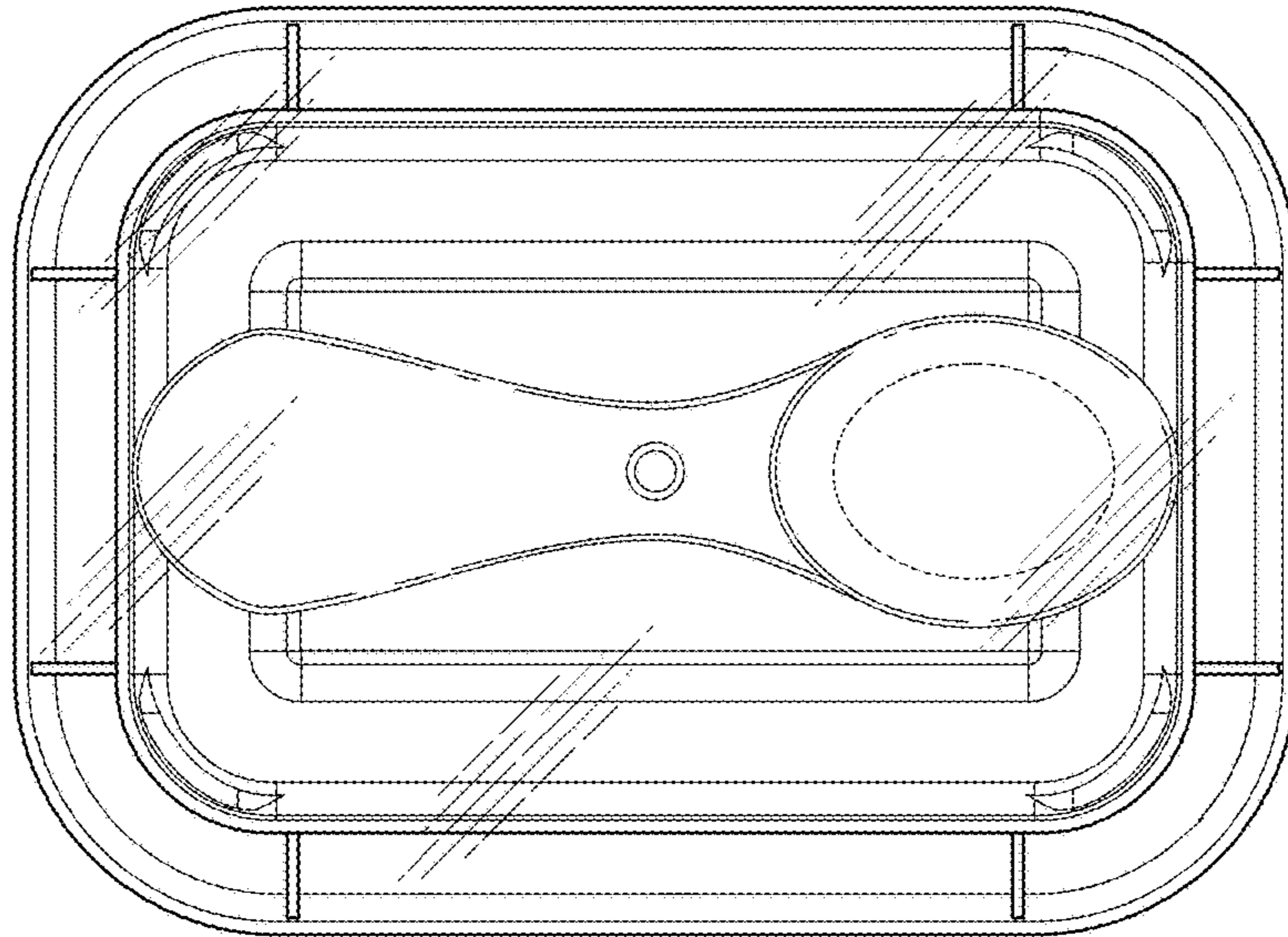


FIG. 6

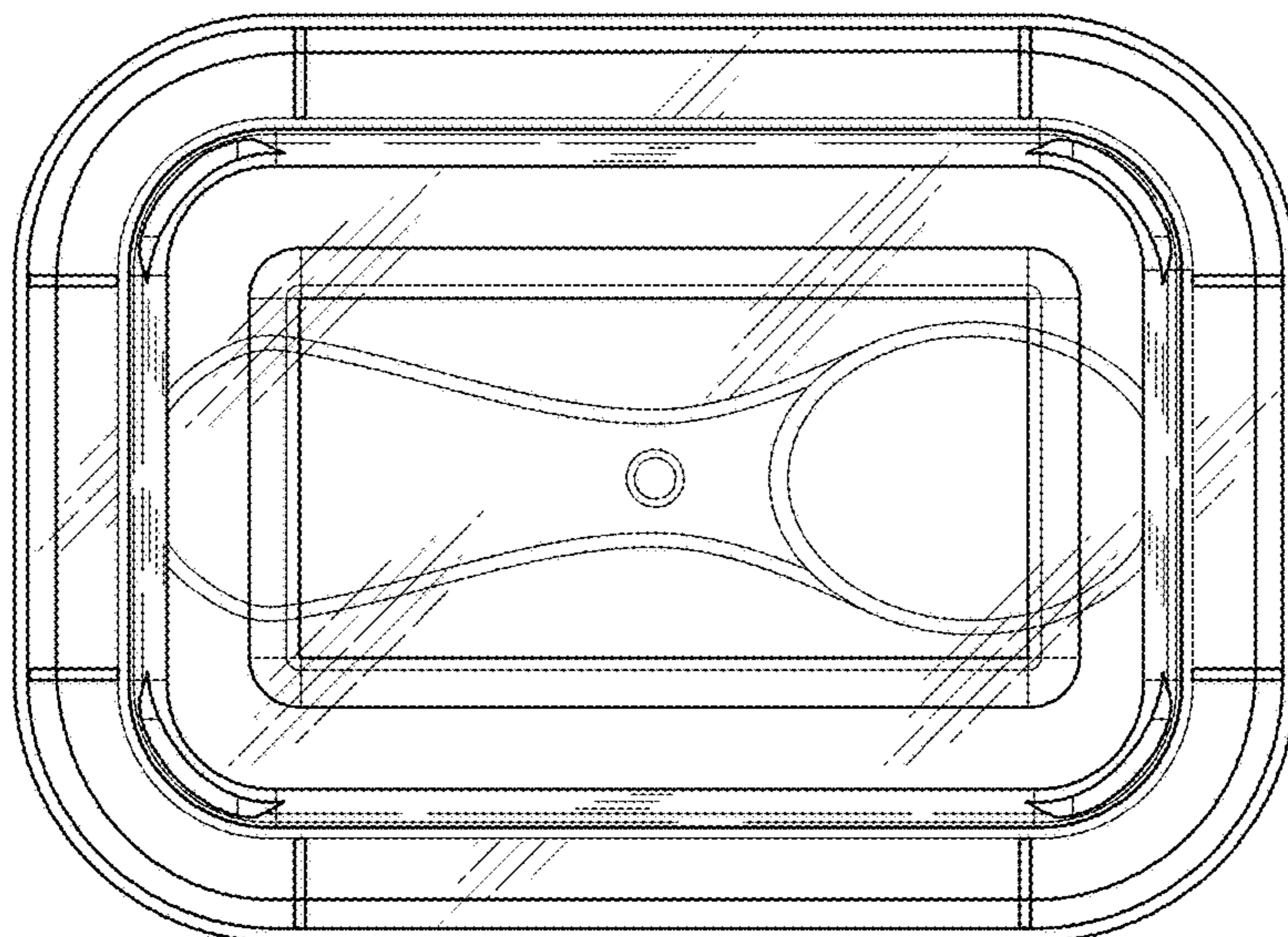


FIG. 7

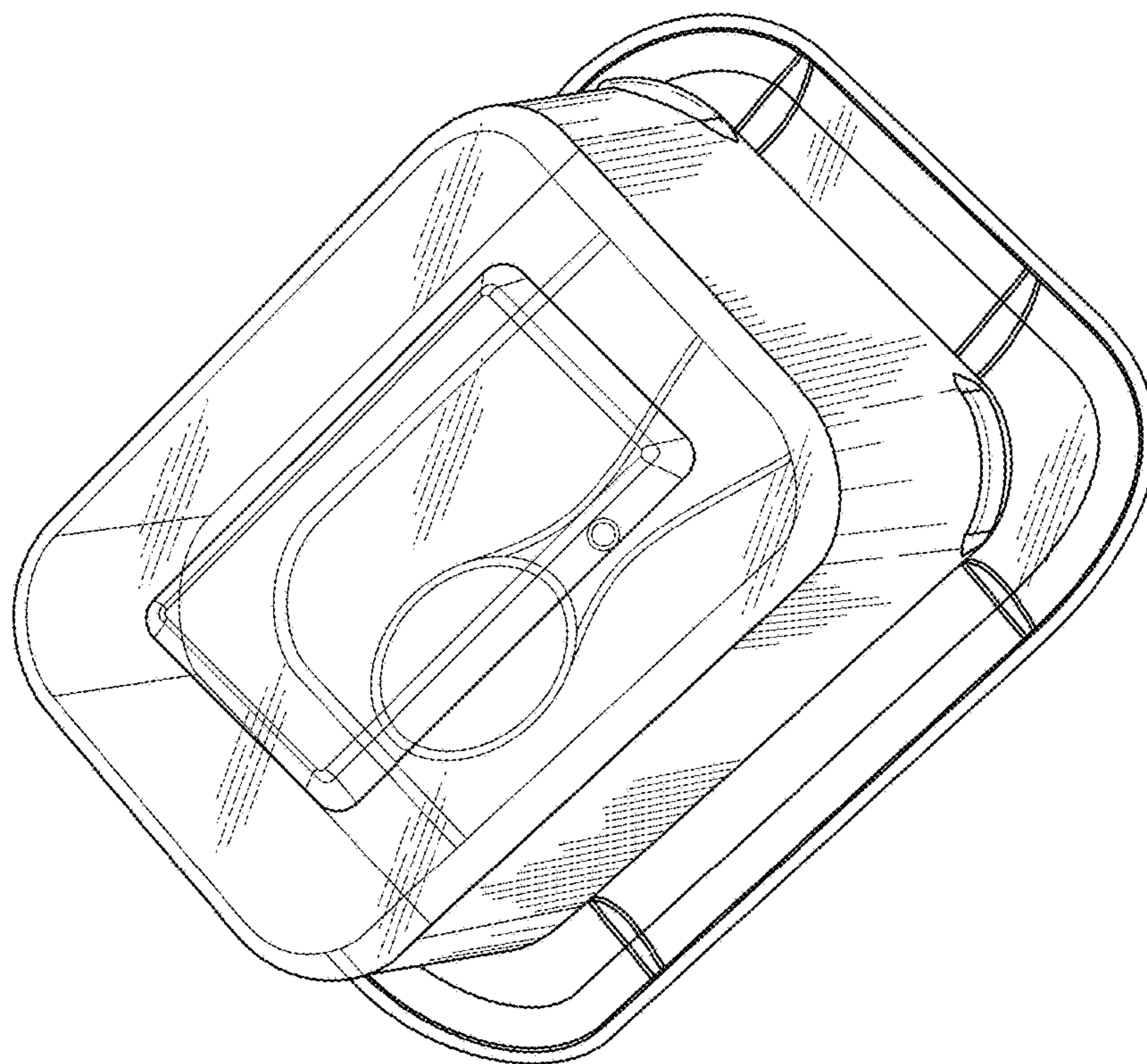


FIG. 8