

US00D863980S

(12) **United States Design Patent** (10) **Patent No.:** **US D863,980 S**  
**Reaux** (45) **Date of Patent:** **\*\* Oct. 22, 2019**

(54) **RECLOSABLE SLIDER ZIPPER FLEXIBLE BAG**

(71) Applicant: **Brian K. Reaux**, Red Oak, TX (US)

(72) Inventor: **Brian K. Reaux**, Red Oak, TX (US)

(73) Assignee: **Brian K. Reaux**, Red Oak, TX (US)

(\*\*) Term: **15 Years**

(21) Appl. No.: **29/620,986**

(22) Filed: **Sep. 25, 2017**

(51) **LOC (12) Cl.** ..... **09-05**

(52) **U.S. Cl.**  
USPC ..... **D9/709**

(58) **Field of Classification Search**  
USPC ..... D9/702-714, 720-722, 430-433, 414, 383/45, 47, 84, 100, 103, 107-108, 383/113-114, 200, 203, 205; 229/87.06, 229/87.08, 200; 426/106-107, 113, 120, 426/124, 234, 112, 243; 222/92, 107, 222/215, 206; 206/807, 260, 811, 103, 206/203, 207, 820; 219/725, 727, 735; 428/43  
CPC ..... B65D 75/00; B65D 75/40; B65D 33/00; B65D 33/001; B65D 33/002; B65D 33/008; B65D 33/24; B65D 33/25; B65D 11/00; B65D 11/20; B65D 15/24; B65D 15/22

See application file for complete search history.

(56) **References Cited**

U.S. PATENT DOCUMENTS

D390,457 S *	2/1998	Hoska	.....	D9/707
D694,651 S	12/2013	Sam		
D703,547 S *	4/2014	France	.....	D9/703
9,580,211 B2	2/2017	Kirsh		
D780,596 S *	3/2017	Sam	.....	D9/709
D784,159 S *	4/2017	Bray	.....	D9/709

OTHER PUBLICATIONS

Compliance Package of the Year Innovative Design Award.

\* cited by examiner

*Primary Examiner* — Abraham Bahta

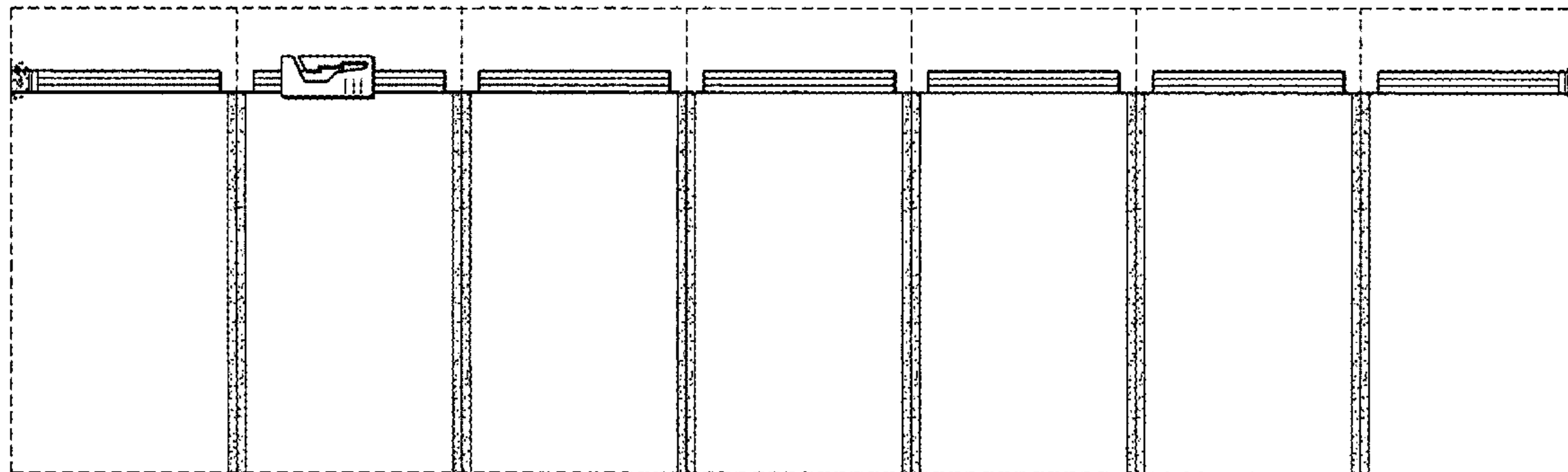
(57) **CLAIM**

The ornamental design for a design for a reclosable slider zipper flexible bag, as shown and described.

**DESCRIPTION**

FIG. 1 is a front perspective view of a reclosable slider zipper flexible bag showing my new design; FIG. 2 is a left front view thereof; FIG. 3 is another perspective view thereof; FIG. 4 is a front elevational view, wherein one of the tear-off pockets is in an open condition; and, FIG. 5 is another perspective view; one of the tear-off pockets is removed. The broken line showing of portions the reclosable slider zipper flexible bag is included for the purpose of illustrating environmental structure and form no part of the claimed design.

**1 Claim, 5 Drawing Sheets**



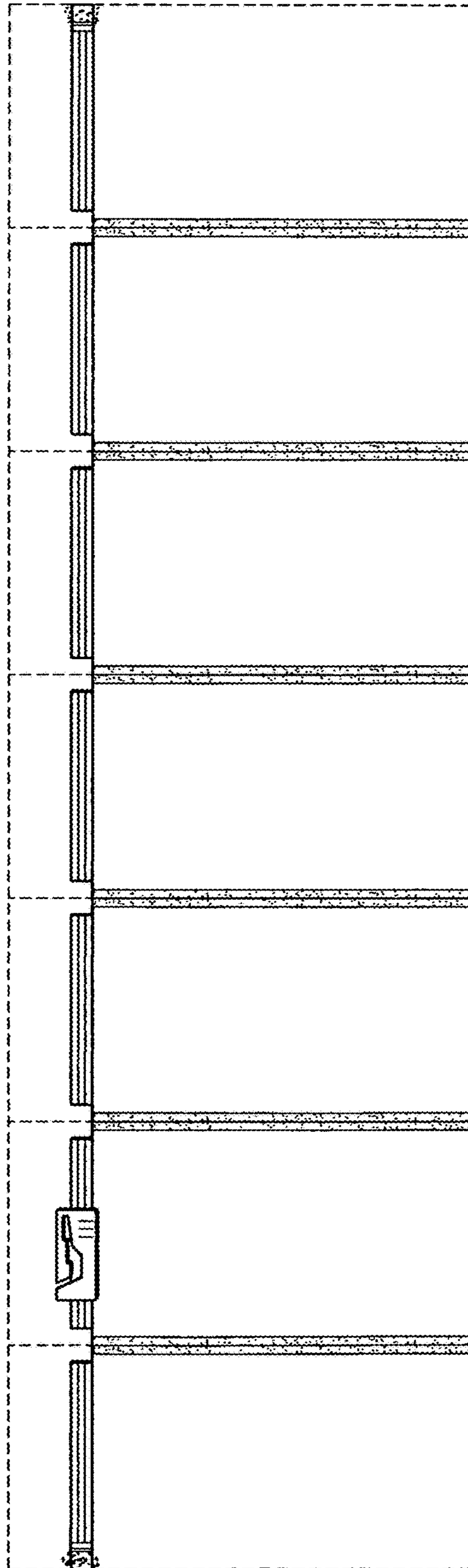


FIG. 1

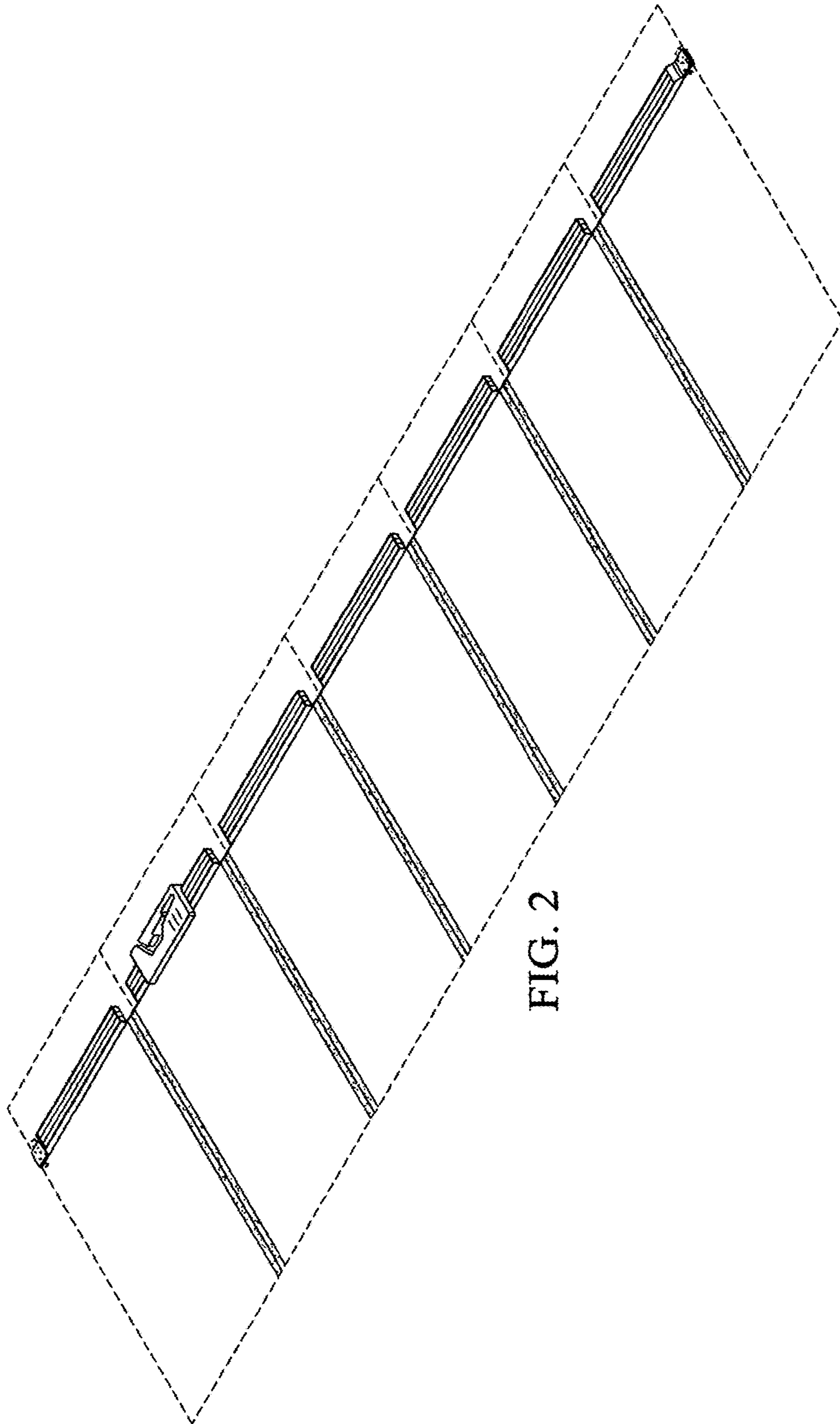


FIG. 2

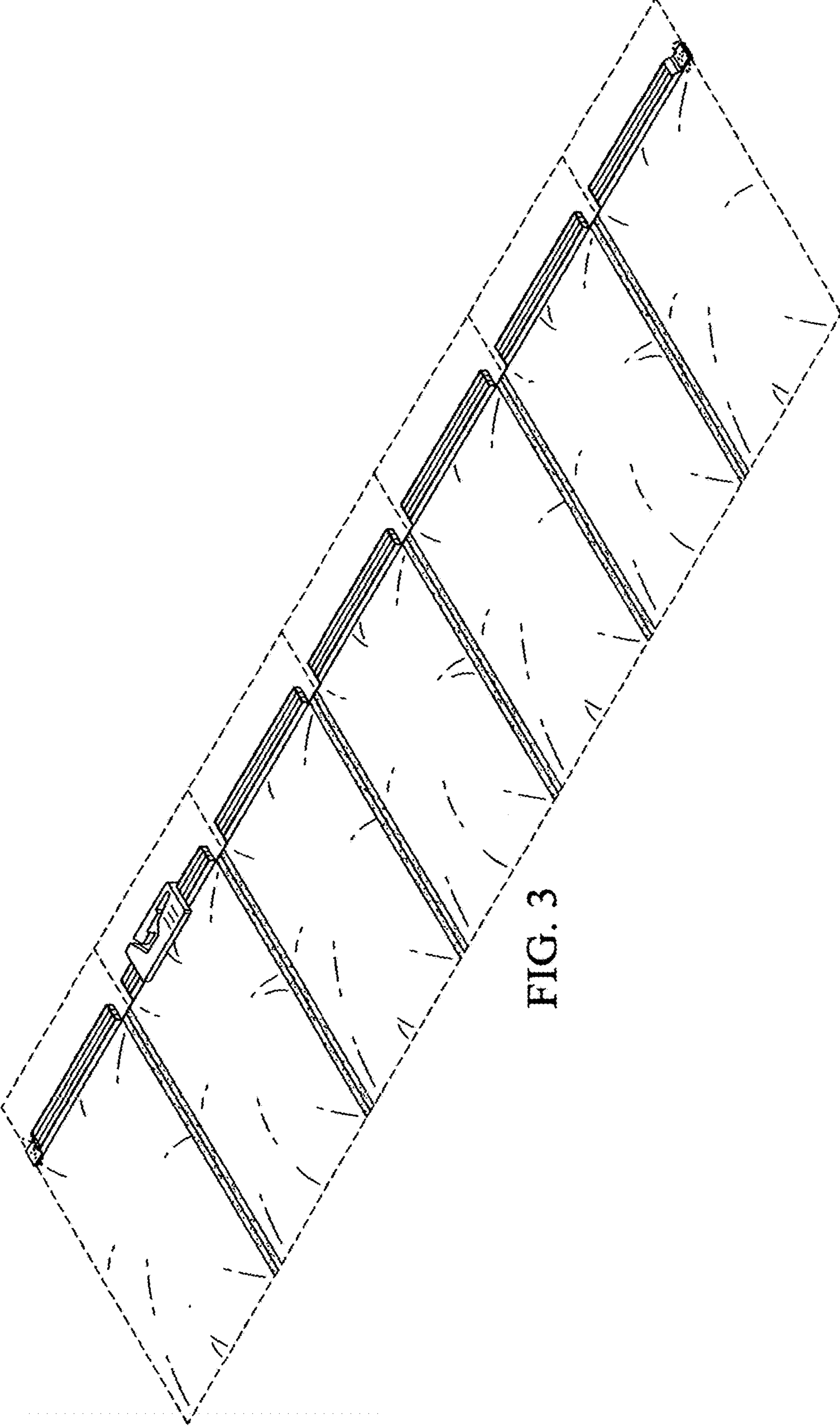


FIG. 3

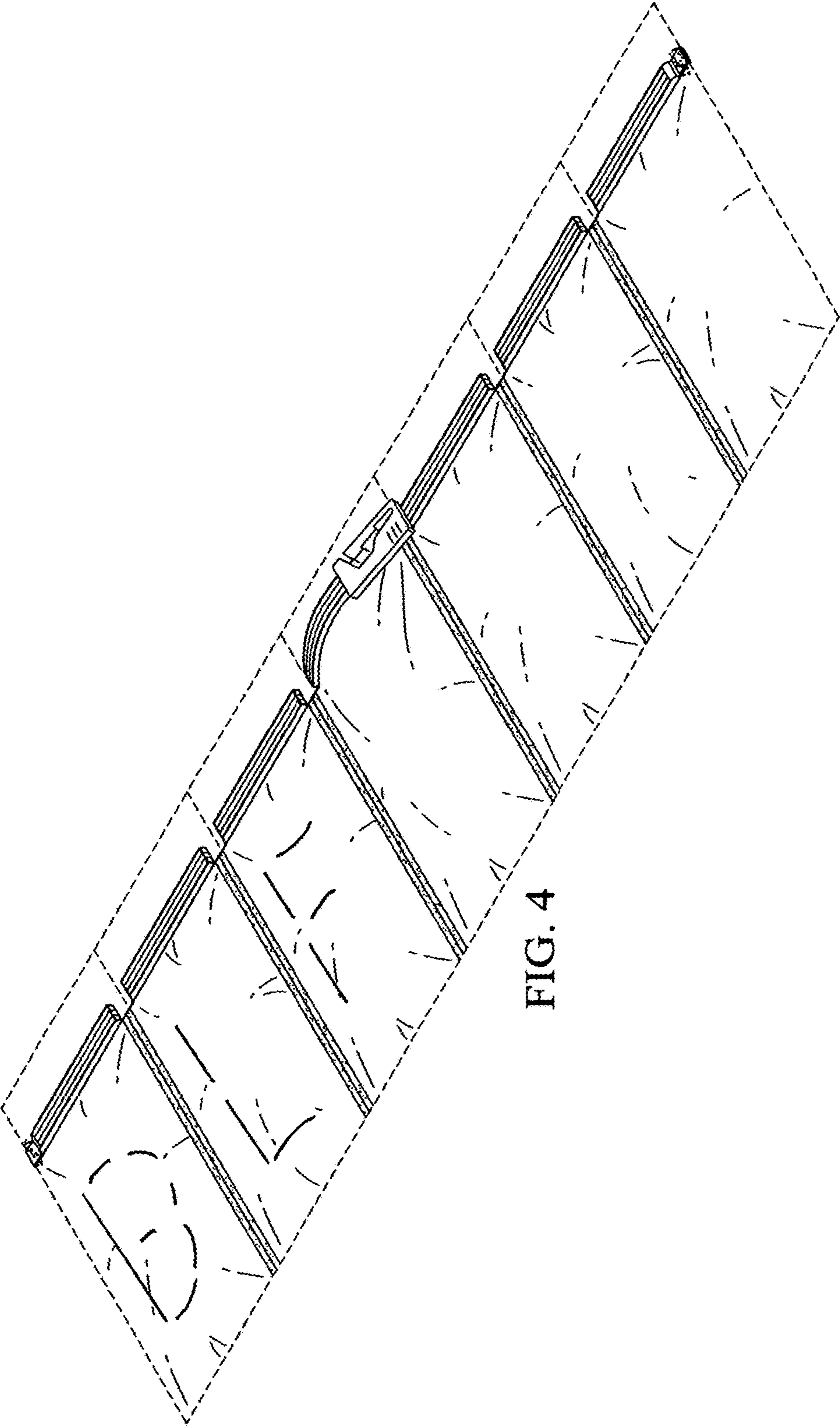


FIG. 4

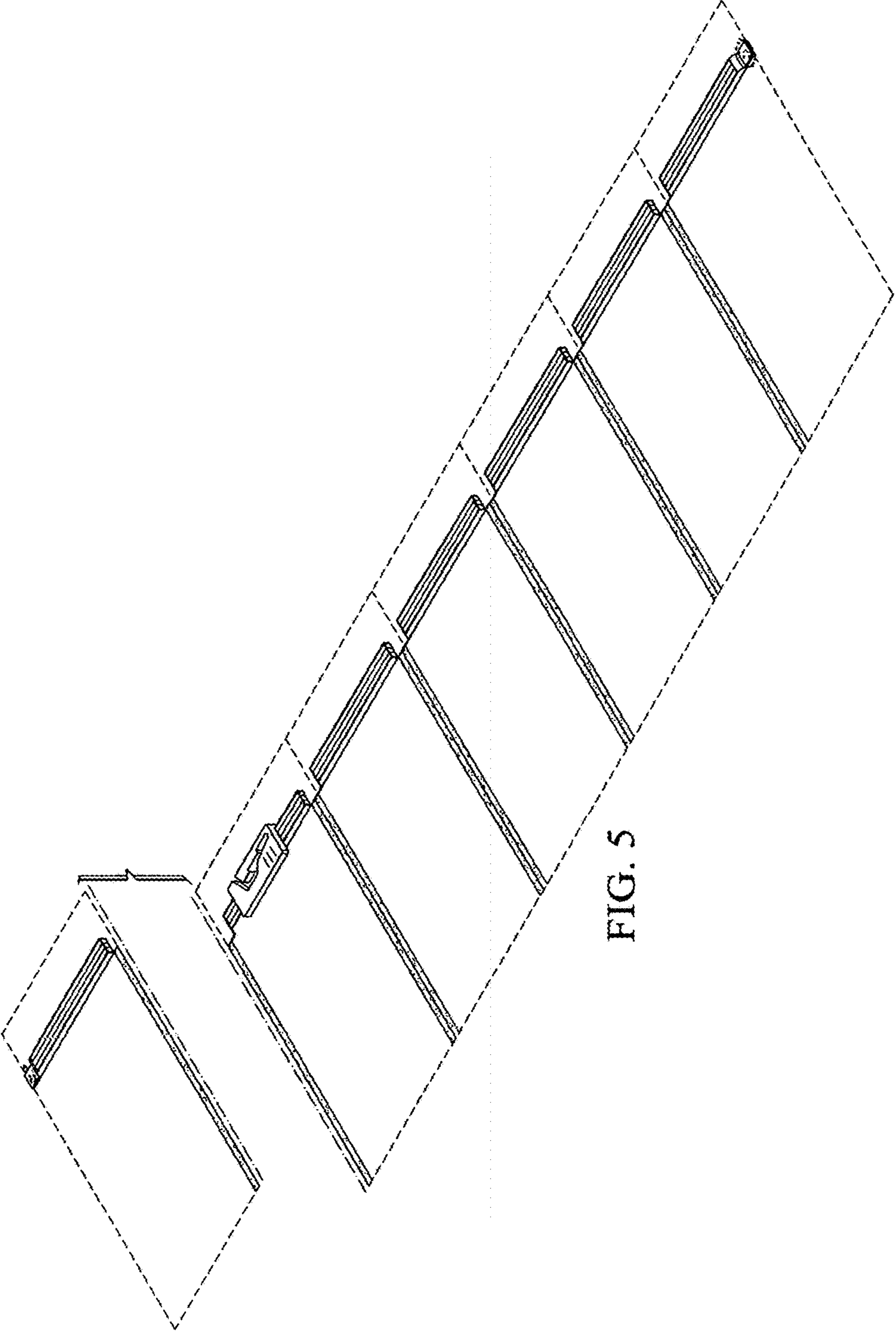


FIG. 5