



US00D863973S

(12) **United States Design Patent**
Staab

(10) **Patent No.:** **US D863,973 S**

(45) **Date of Patent:** **** Oct. 22, 2019**

(54) **CONTAINER**

(71) Applicant: **Mary Kay Inc.**, Addison, TX (US)

(72) Inventor: **Jenny DeMarco Staab**, Frisco, TX (US)

(73) Assignee: **Mary Kay Inc.**, Addison, TX (US)

(**) Term: **15 Years**

(21) Appl. No.: **29/600,386**

(22) Filed: **Apr. 12, 2017**

(51) **LOC (12) Cl.** **09-01**

(52) **U.S. Cl.**

USPC **D9/574**; D9/445; D9/542

(58) **Field of Classification Search**

USPC D9/434-435, 444-445, 516, 530, 542, D9/574, 715, 719

(Continued)

(56) **References Cited**

U.S. PATENT DOCUMENTS

2,788,189 A * 4/1957 Groya B65D 5/5023
206/779

D180,828 S * 8/1957 Funkey D9/571

(Continued)

FOREIGN PATENT DOCUMENTS

MX 46069 1/1916

MX 9132 12/1997

(Continued)

OTHER PUBLICATIONS

NIVEA Men Cooling Post Shave Balm & Cooling After Shave Splash/Lotion (see images on pp. 3, 6 & 7), “{Men’s Grooming} |

The First Steps toward Impeccable Skin”, PrincessOfJozi.com, post dated Sep. 19, 2016, 7 pages, < <http://princessofjozi.com/mens-grooming-the-first-steps-toward-impeccable-skin/> >.*

(Continued)

Primary Examiner — Dana Meyrow

(74) *Attorney, Agent, or Firm* — Norton Rose Fulbright US LLP

(57) **CLAIM**

The ornamental design for a container, as shown and described.

DESCRIPTION

FIG. 1 is a top perspective view of a first embodiment of a container;

FIG. 2 is a bottom perspective view of the container shown in FIG. 1;

FIG. 3 is a front view of the container shown in FIG. 1;

FIG. 4 is a back view of the container shown in FIG. 1;

FIG. 5 is a right side view of the container shown in FIG. 1;

FIG. 6 is a left side view of the container shown in FIG. 1;

FIG. 7 is a top view of the container shown in FIG. 1;

FIG. 8 is a bottom view of the container shown in FIG. 1;

FIG. 9 is a top perspective view of a second embodiment of a container;

FIG. 10 is a bottom perspective view of the container shown in FIG. 9;

FIG. 11 is a front view of the container shown in FIG. 9;

FIG. 12 is a back view of the container shown in FIG. 9;

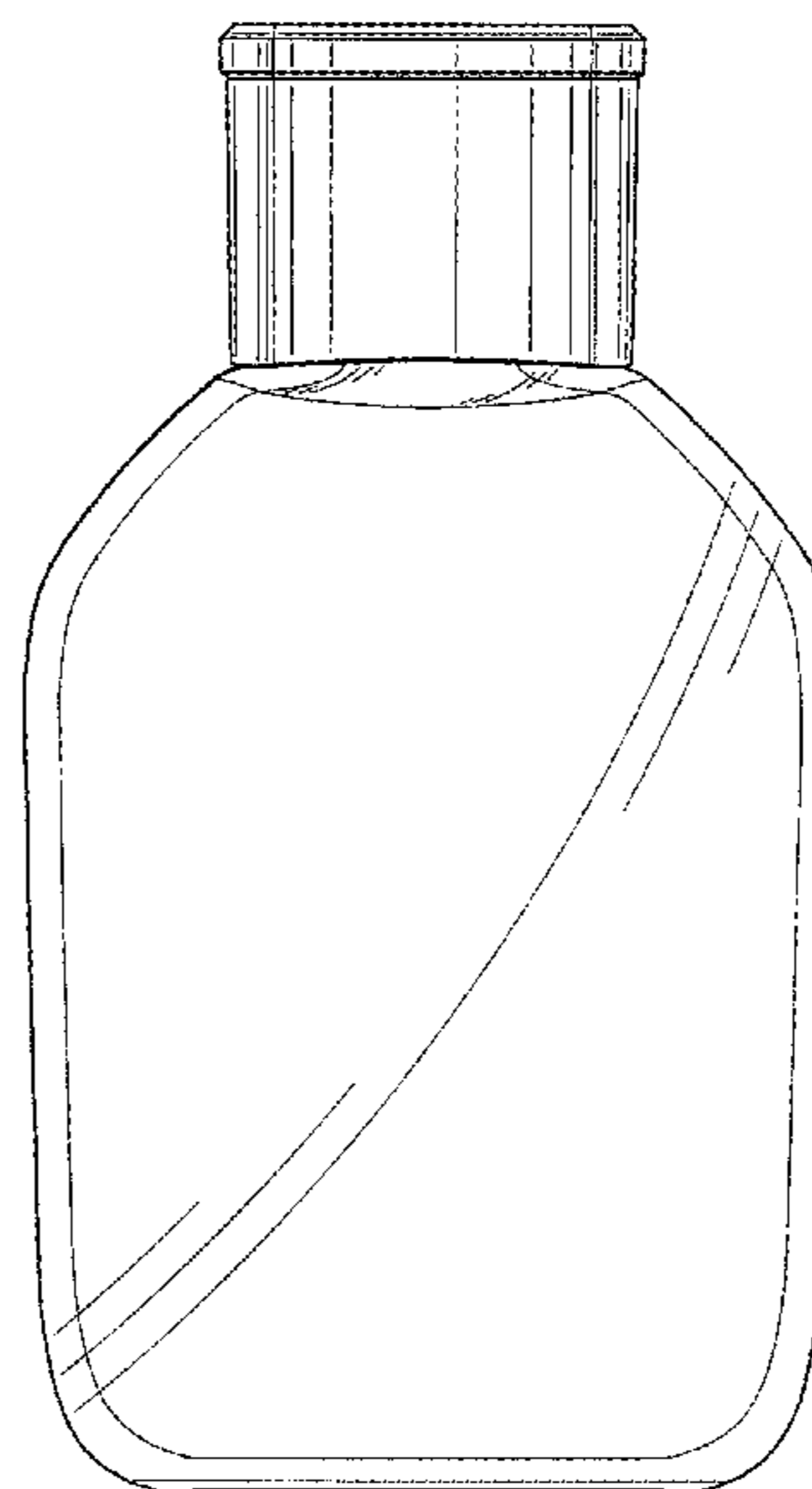
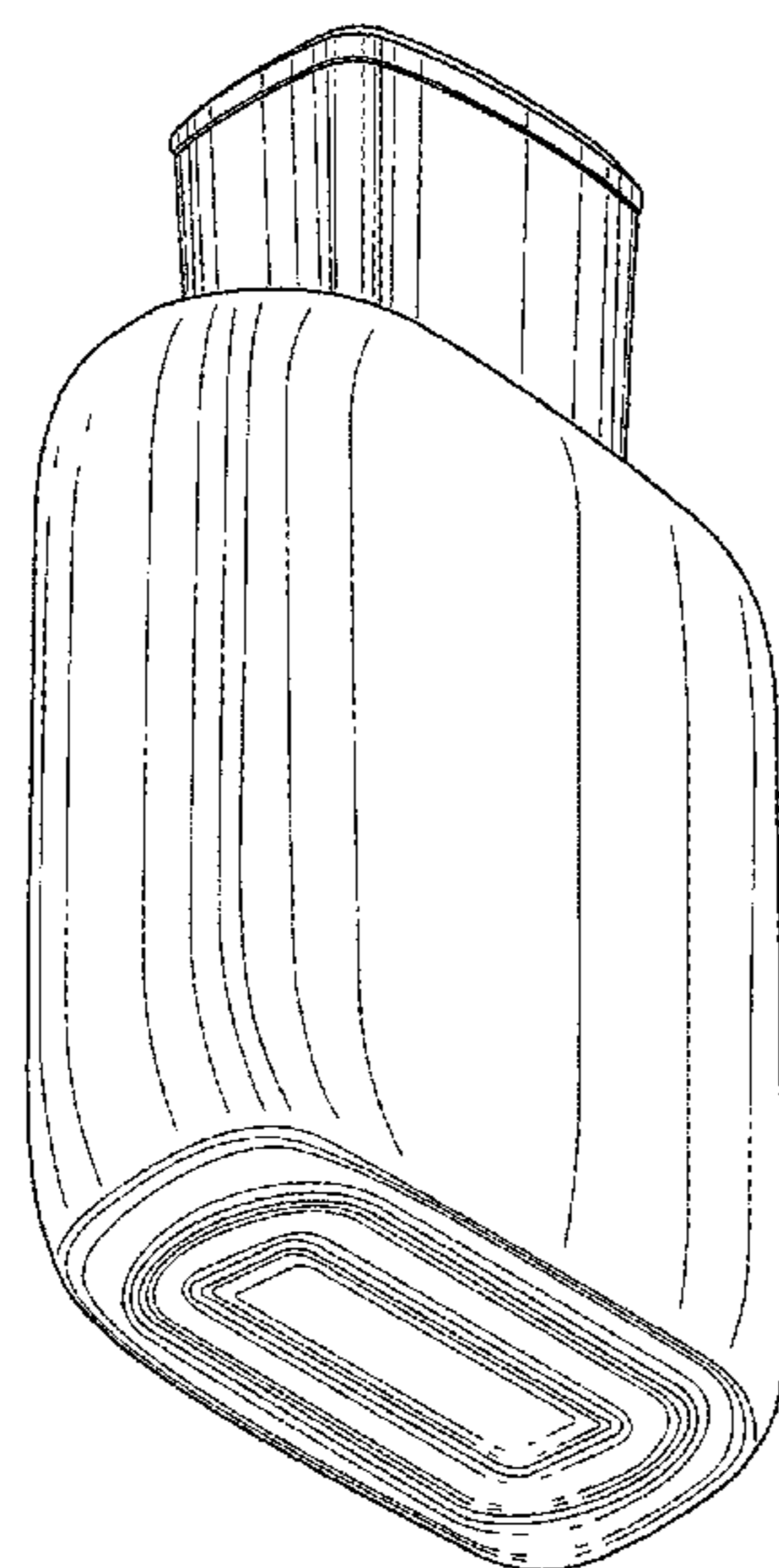
FIG. 13 is a right side view of the container shown in FIG. 9;

FIG. 14 is a left side view of the container shown in FIG. 9;

FIG. 15 is a top view of the container shown in FIG. 9; and,

FIG. 16 is a bottom view of the container shown in FIGS. 9.

1 Claim, 16 Drawing Sheets



- (58) **Field of Classification Search**
 CPC B65D 1/00; B65D 1/02; B65D 1/0223;
 B65D 1/10; B65D 81/00; B65D 2501/00;
 B65D 2501/0009; B65D 2501/0081
 See application file for complete search history.

(56) **References Cited**

U.S. PATENT DOCUMENTS

D195,148 S	4/1963	Marchant	D9/529
D210,626 S *	3/1968	Vanderhyde	D9/571
D252,737 S	8/1979	Grodin	D9/573
D256,886 S	9/1980	DiScala	D9/529
D258,868 S	4/1981	Soderberg	D9/529
D269,067 S	5/1983	Ballereaud	D9/560
D270,040 S	8/1983	Perez Casa	D9/573
D276,892 S	12/1984	Carre	D9/529
D299,429 S	1/1989	Dinand	D9/566
D303,758 S	10/1989	Nitta	D9/687
D310,330 S	9/1990	Cassini	D9/569
D316,224 S	4/1991	Gray et al.	D9/563
D326,611 S	6/1992	Dinand	D9/529
D347,388 S	5/1994	Crawford	D9/529
D348,005 S *	6/1994	Lathrop	D9/542
D348,217 S	6/1994	Le Prince	D9/687
D348,840 S *	7/1994	Kuzma	D9/575
D352,248 S *	11/1994	McIlvain	D28/76
D357,418 S	4/1995	Lonczak et al.	D9/558
D388,331 S	12/1997	Haner et al.	D9/571
D395,398 S *	6/1998	Kotyuk	D9/452
D401,507 S *	11/1998	Gonda	D9/529
D406,771 S	3/1999	Weber	D9/571
D408,293 S	4/1999	Bakic	D9/558
D409,921 S *	5/1999	Jones	D9/558
D418,064 S *	12/1999	Pritchard	D9/529
D419,073 S	1/2000	Jauffret	D9/520
D425,432 S *	5/2000	Lewin	D9/558
D431,473 S	10/2000	Faucon	D9/544
D431,779 S *	10/2000	Nosella	D9/520
D434,663 S *	12/2000	Jones	D9/516
D436,317 S *	1/2001	Jones	D9/558
D441,299 S	5/2001	McAllister	D9/558
D456,717 S	5/2002	Roher	D9/549
D458,149 S	6/2002	Cummings	D9/571
D480,299 S	10/2003	Sgariboldi	D9/694
D484,789 S	1/2004	Sgariboldi	D9/694
D484,790 S	1/2004	Sgariboldi	D9/694
D484,791 S	1/2004	Sgariboldi	D9/694
D484,792 S	1/2004	Sgariboldi	D9/694
D485,165 S	1/2004	Sgariboldi	D9/694
D494,870 S	8/2004	Bakic	D9/563
D498,681 S *	11/2004	Fenton	D9/551
D511,688 S	11/2005	Baron	D9/560
D523,756 S	6/2006	Considine et al.	D9/573
D524,658 S	7/2006	Varlet	D9/544
D526,212 S	8/2006	Faillant-Dumas	D9/694
D532,699 S	11/2006	Mouquet	D9/694
D534,808 S *	1/2007	Haubert, III	D9/558
D535,887 S *	1/2007	Haubert, III	D9/558

D535,890 S	1/2007	Herrmann	D9/571
D536,259 S	2/2007	Herrmann	D9/573
D537,728 S	3/2007	De Monclin	D9/573
D538,675 S	3/2007	Dalton	D9/573
D542,144 S	5/2007	Herrmann	D9/560
D551,982 S	10/2007	Forman	D9/529
D555,498 S *	11/2007	Bansal	D9/558
D576,052 S	9/2008	Lloyd et al.	D9/694
D577,600 S	9/2008	Kim et al.	D9/573
D585,754 S	2/2009	McGregor et al.	D9/559
D586,227 S	2/2009	Caten et al.	D9/572
D587,596 S	3/2009	Lloyd	D9/694
D589,818 S	4/2009	Veillet	D9/694
D600,133 S	9/2009	Friedman et al.	D9/560
D602,787 S	10/2009	Gaultier	D9/572
D628,489 S	12/2010	Caten et al.	D9/523
D628,494 S	12/2010	Aebi	D9/687
D630,521 S	1/2011	Levy	D9/687
D635,464 S	4/2011	Kuzma et al.	D9/563
D639,667 S	6/2011	Bogert et al.	D9/544
D646,581 S	10/2011	Baron	D9/573
D646,979 S	10/2011	Shaw et al.	D9/542
D647,803 S	11/2011	Regas	D9/516
D666,500 S	9/2012	Fendi	D9/652
D678,074 S	3/2013	De France	D9/560
D705,074 S	5/2014	Della Valle	D9/560
D714,157 S	9/2014	Albertini	D9/560
D718,143 S	11/2014	O'Donahue	D9/529
D720,232 S	12/2014	De Monclin	D9/558
D732,394 S	6/2015	DeMarco et al.	D9/529
D741,720 S	10/2015	Anandani	D9/560
D742,749 S	11/2015	Murray	D9/544
D747,969 S	1/2016	Baron et al.	D9/529
D757,560 S	5/2016	Venturini Fendi	D9/573
D764,928 S	8/2016	Staab	D9/694
D770,902 S	11/2016	Vaughn-Batiz	D9/574
D776,544 S	1/2017	Staab	D9/560
D777,580 S	1/2017	Lloyd et al.	D9/560
D778,164 S	2/2017	Vaughn-Batiz	D9/529
D830,835 S *	10/2018	Keller	D9/529
D830,836 S *	10/2018	Keller	D9/529

FOREIGN PATENT DOCUMENTS

MX	11214	3/2000
MX	20328	3/2006
MX	24511	11/2007
MX	29160	8/2009
MX	29918	12/2009
MX	36115	4/2012
MX	41207	3/2014
MX	41211	3/2014
MX	45780	12/2015

OTHER PUBLICATIONS

Facebook page posted by Mary Kay—Temixco, Morelos, dated May 1, 2016.

* cited by examiner

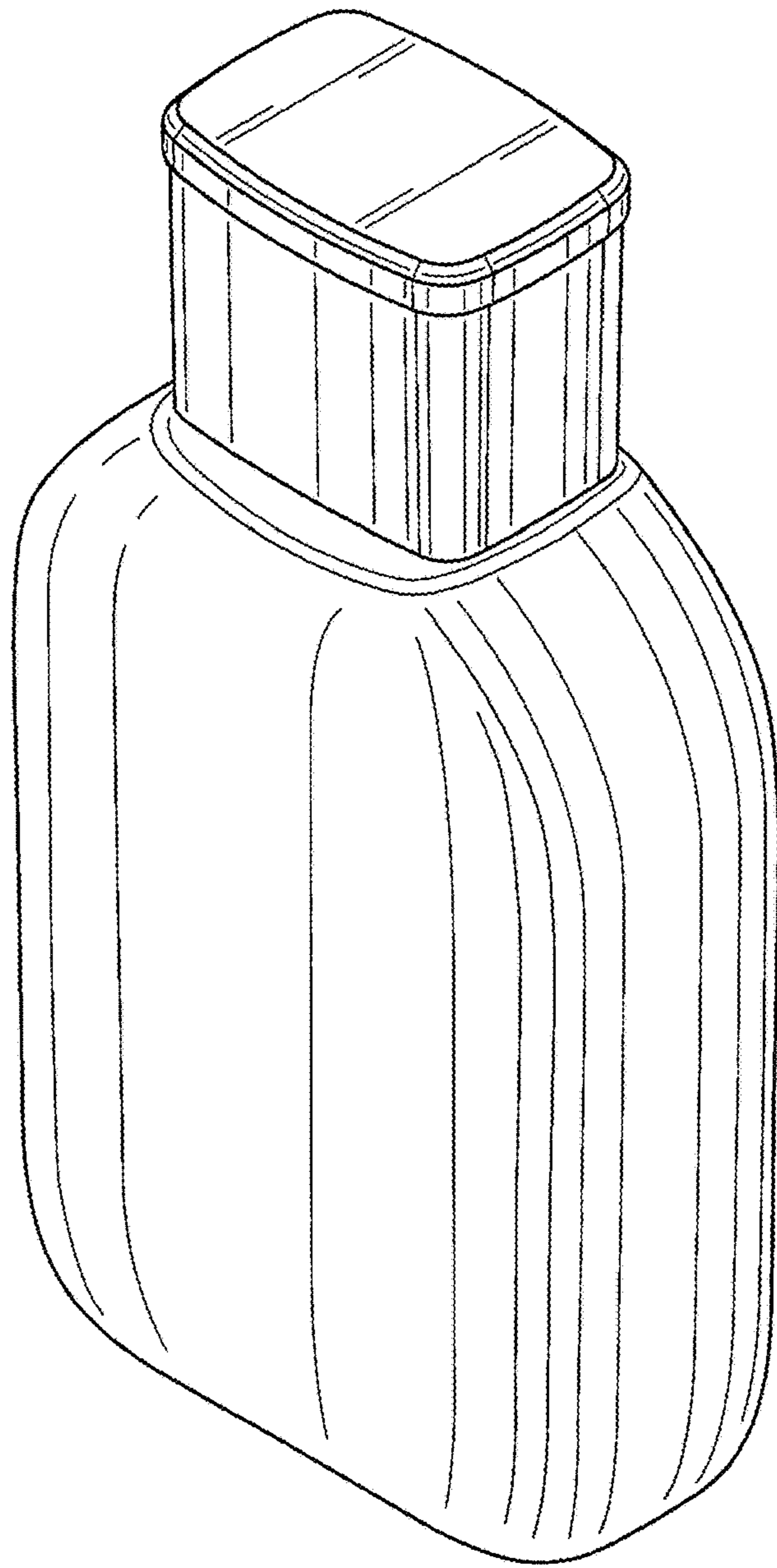


FIG. 1

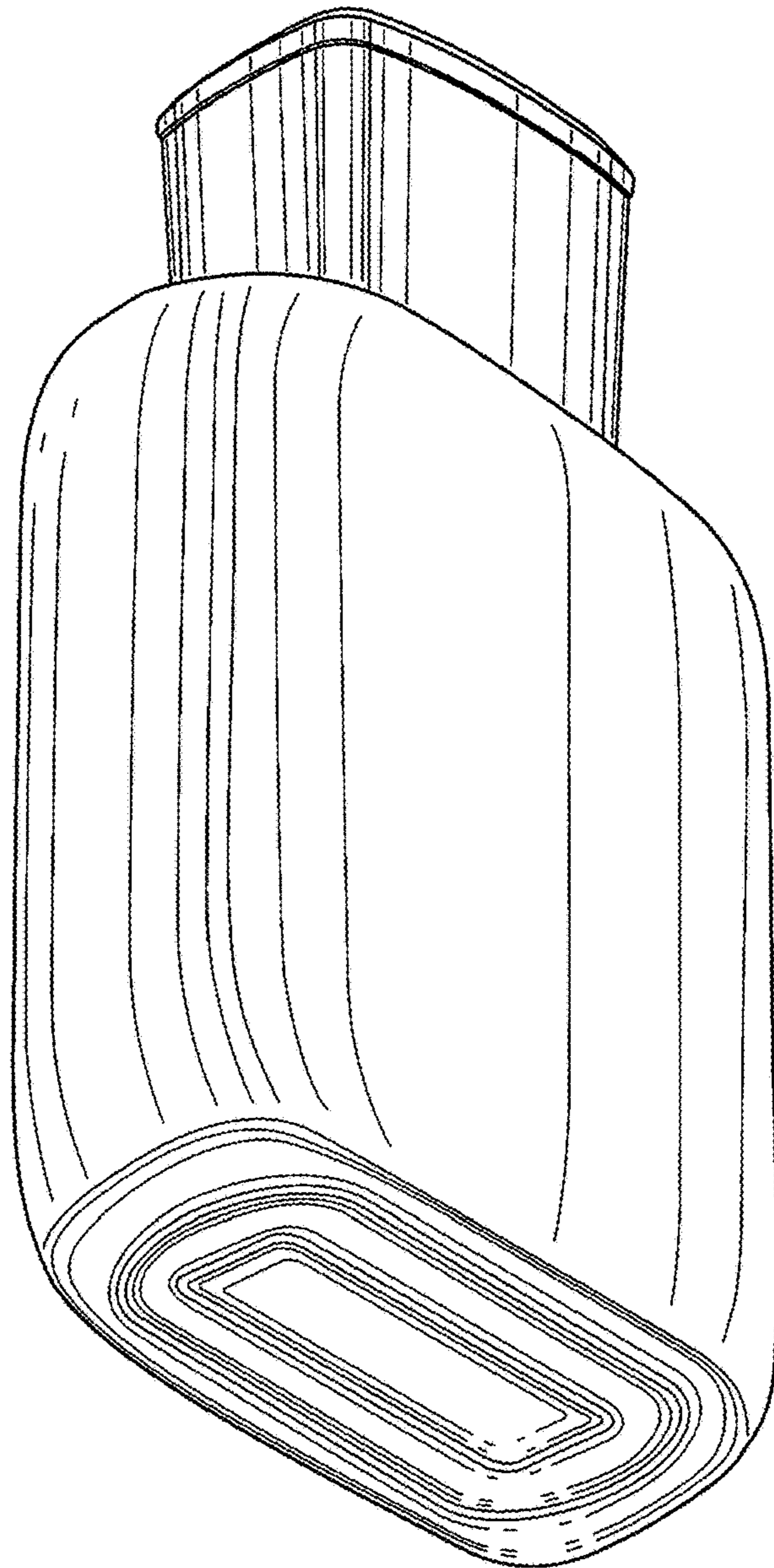


FIG. 2

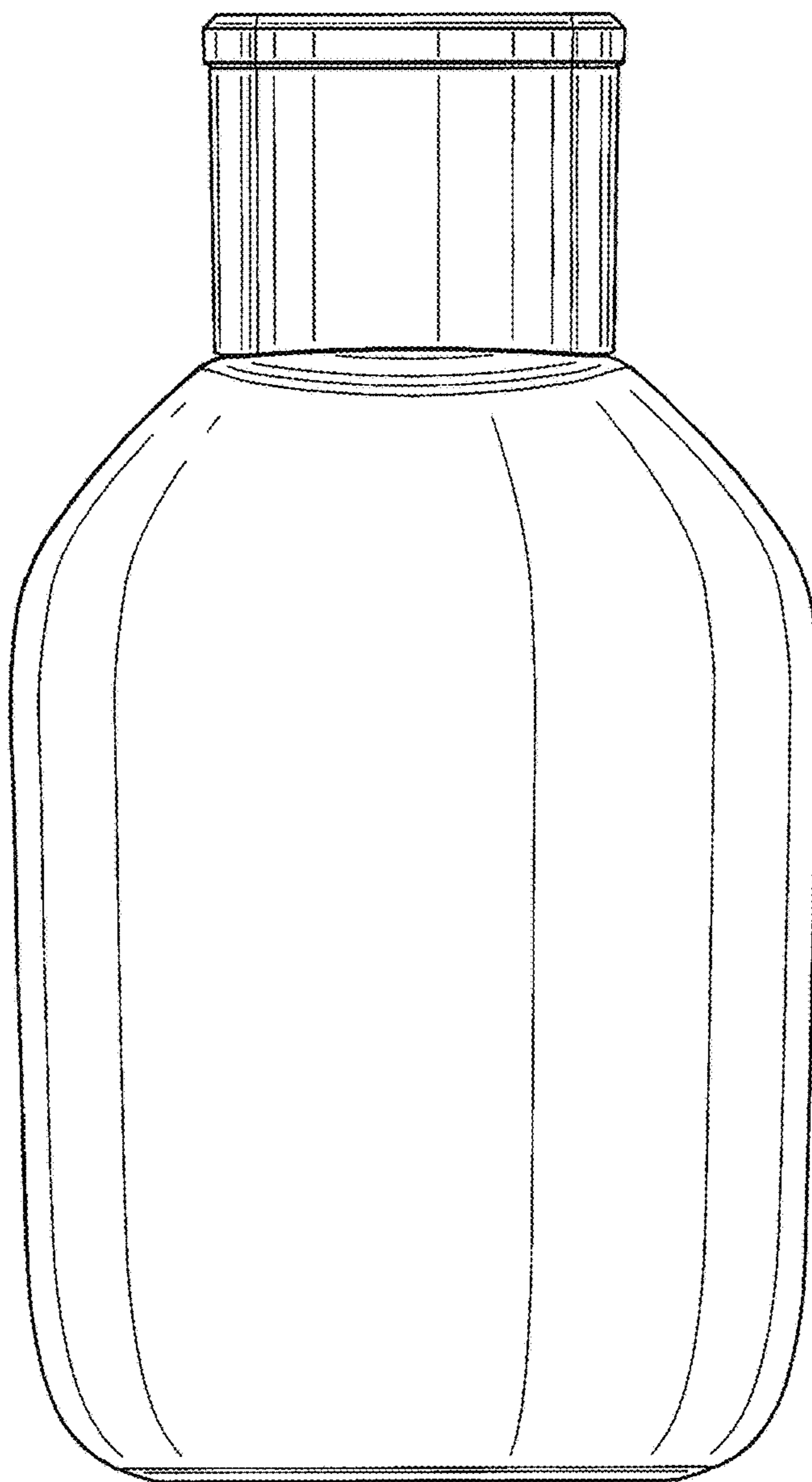


FIG. 3

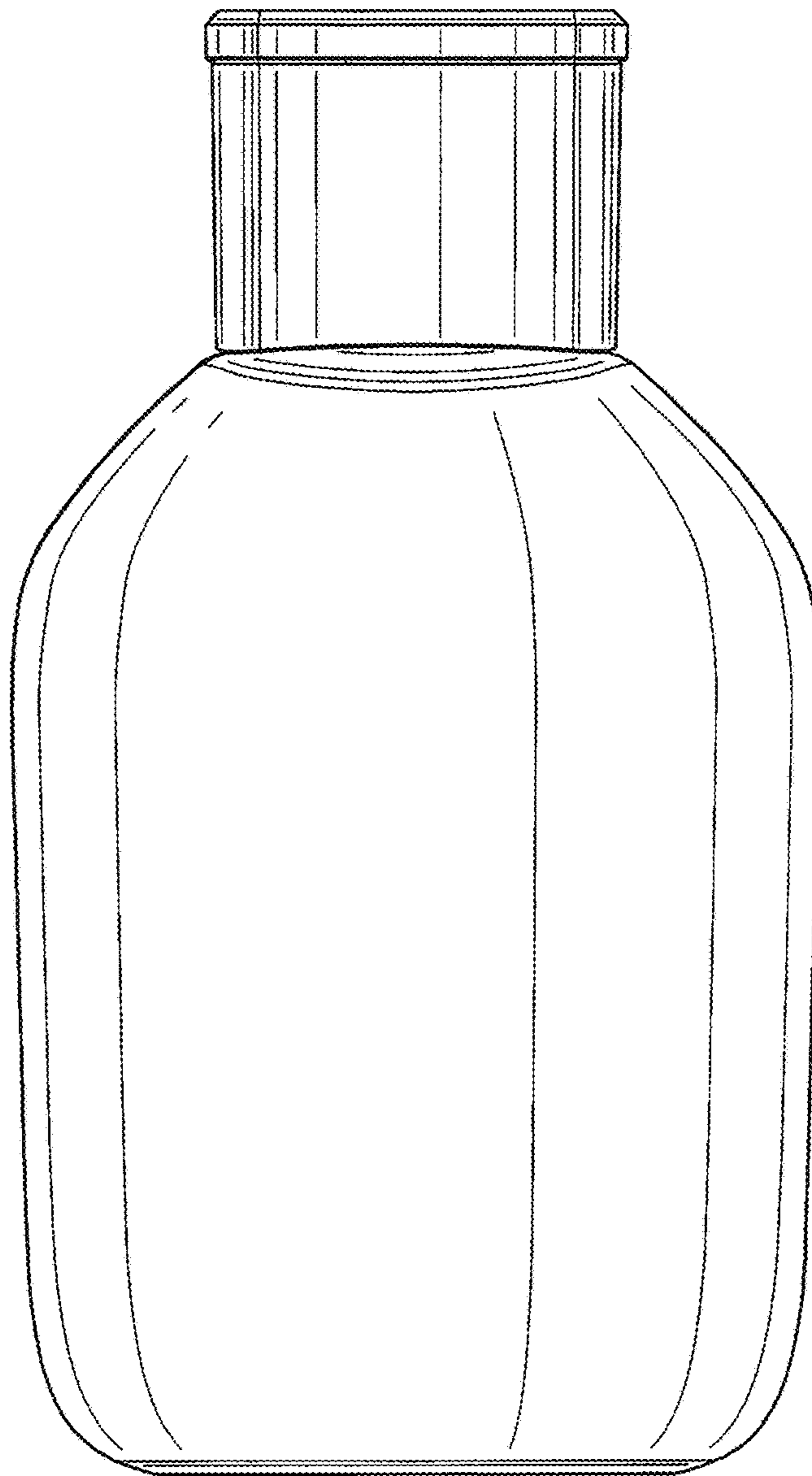


FIG. 4

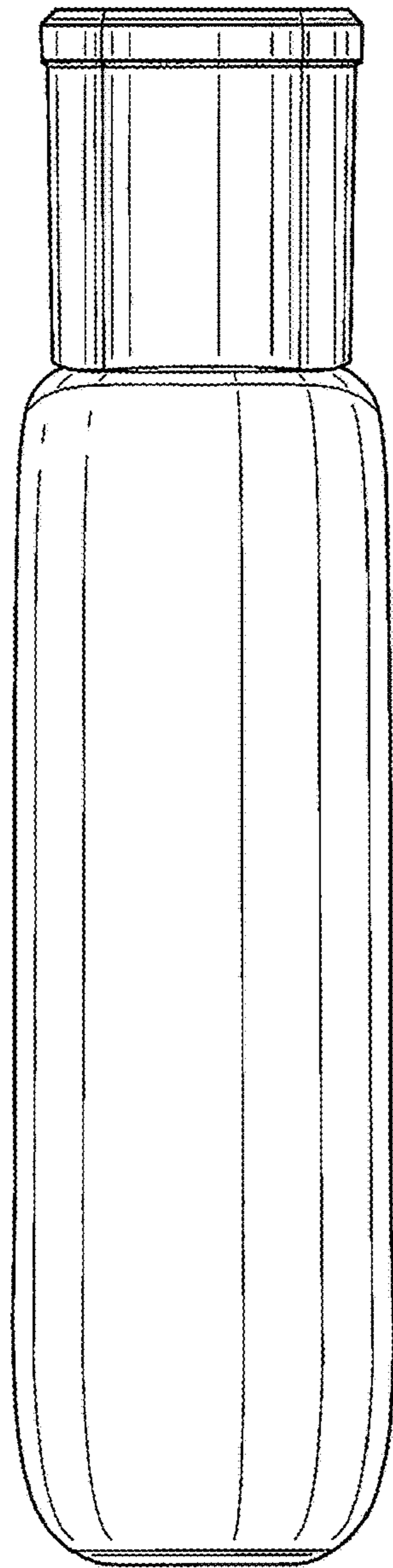


FIG. 5

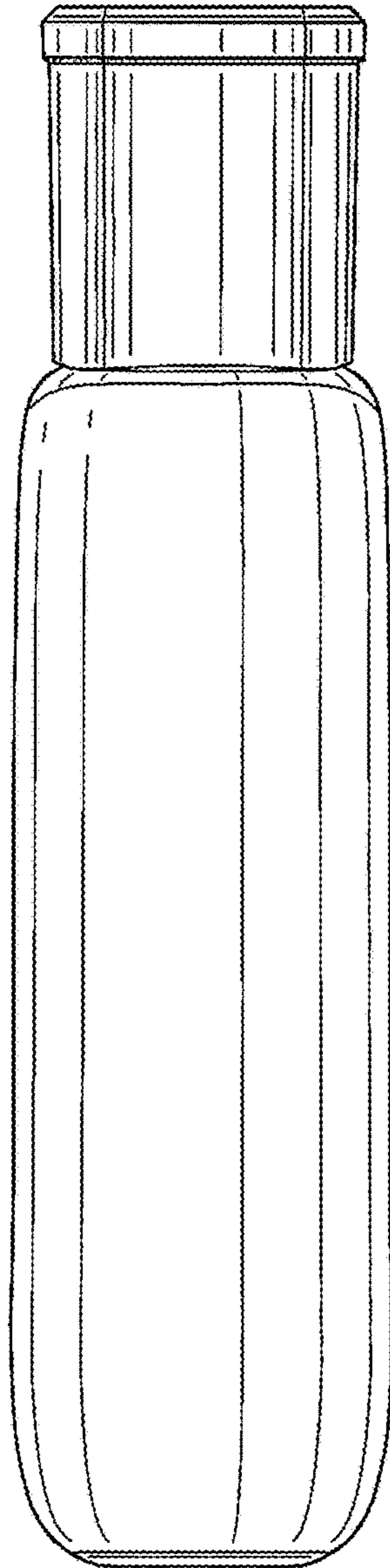


FIG. 6

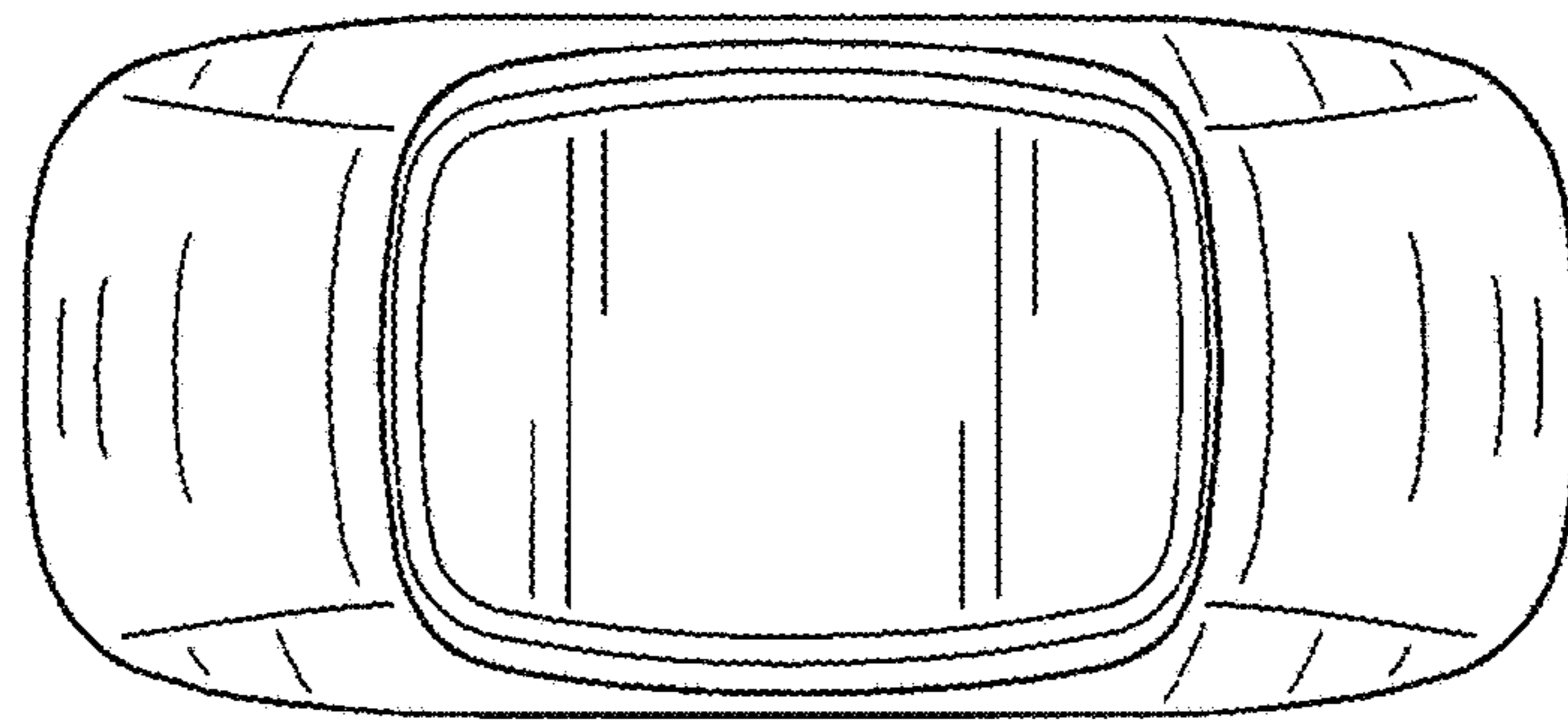


FIG. 7

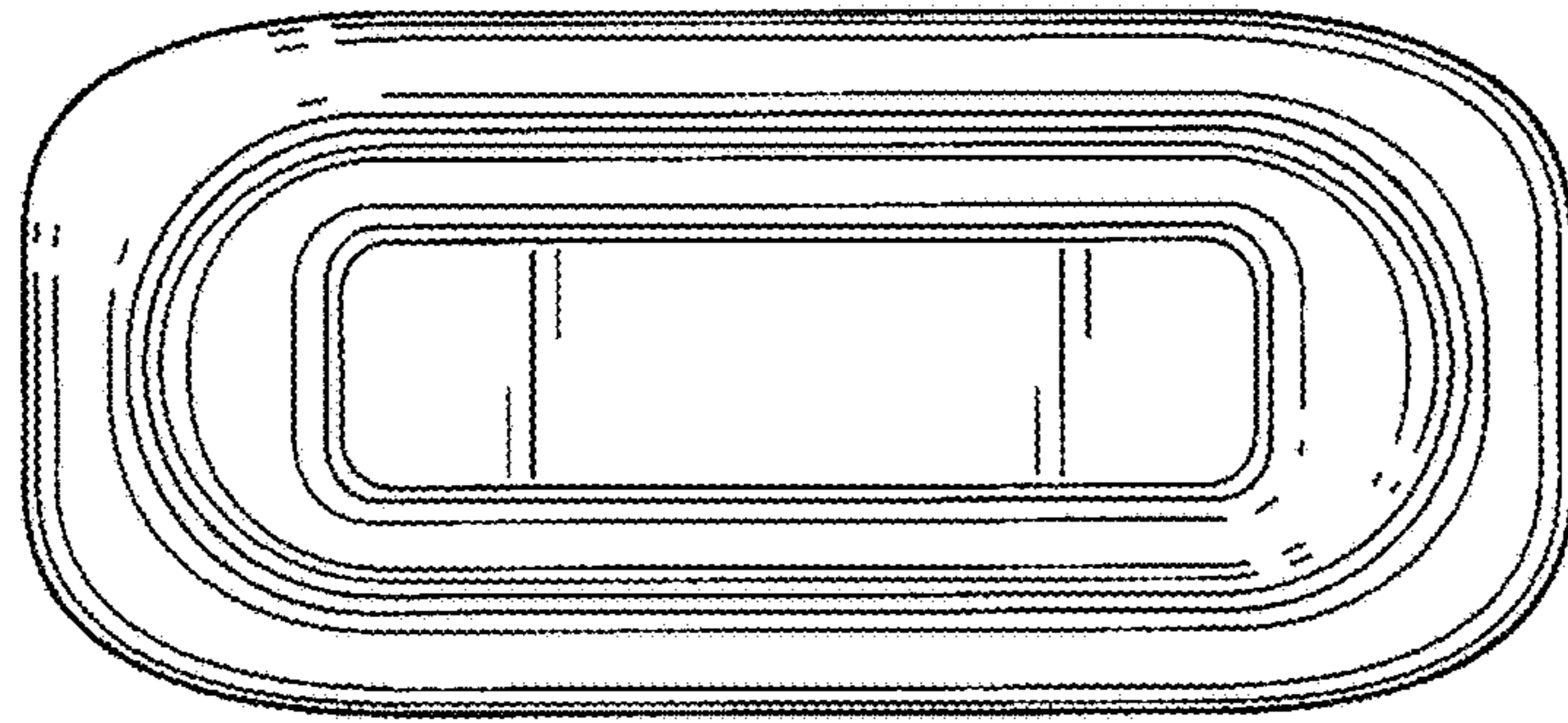


FIG. 8

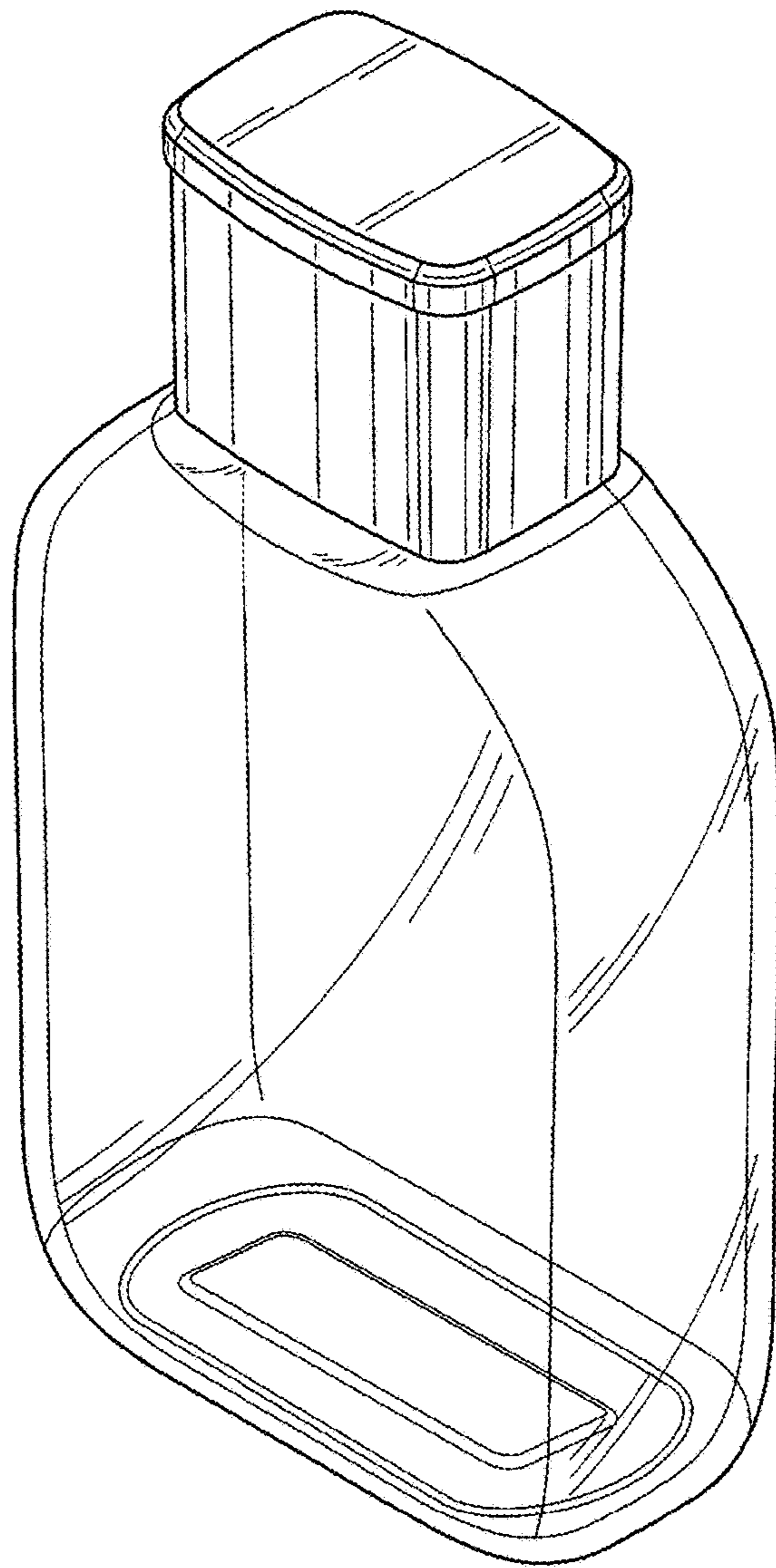


FIG. 9

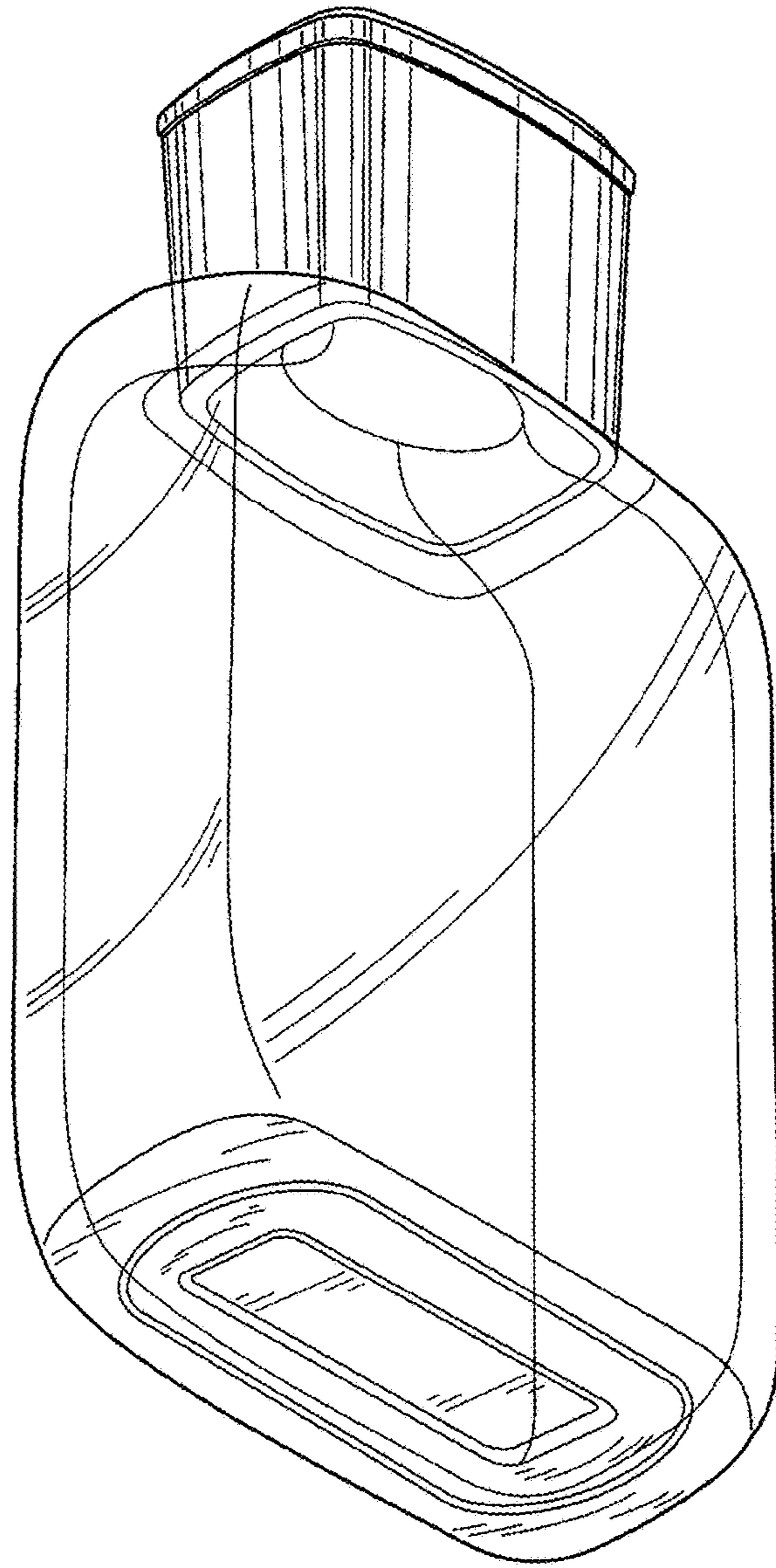


FIG. 10

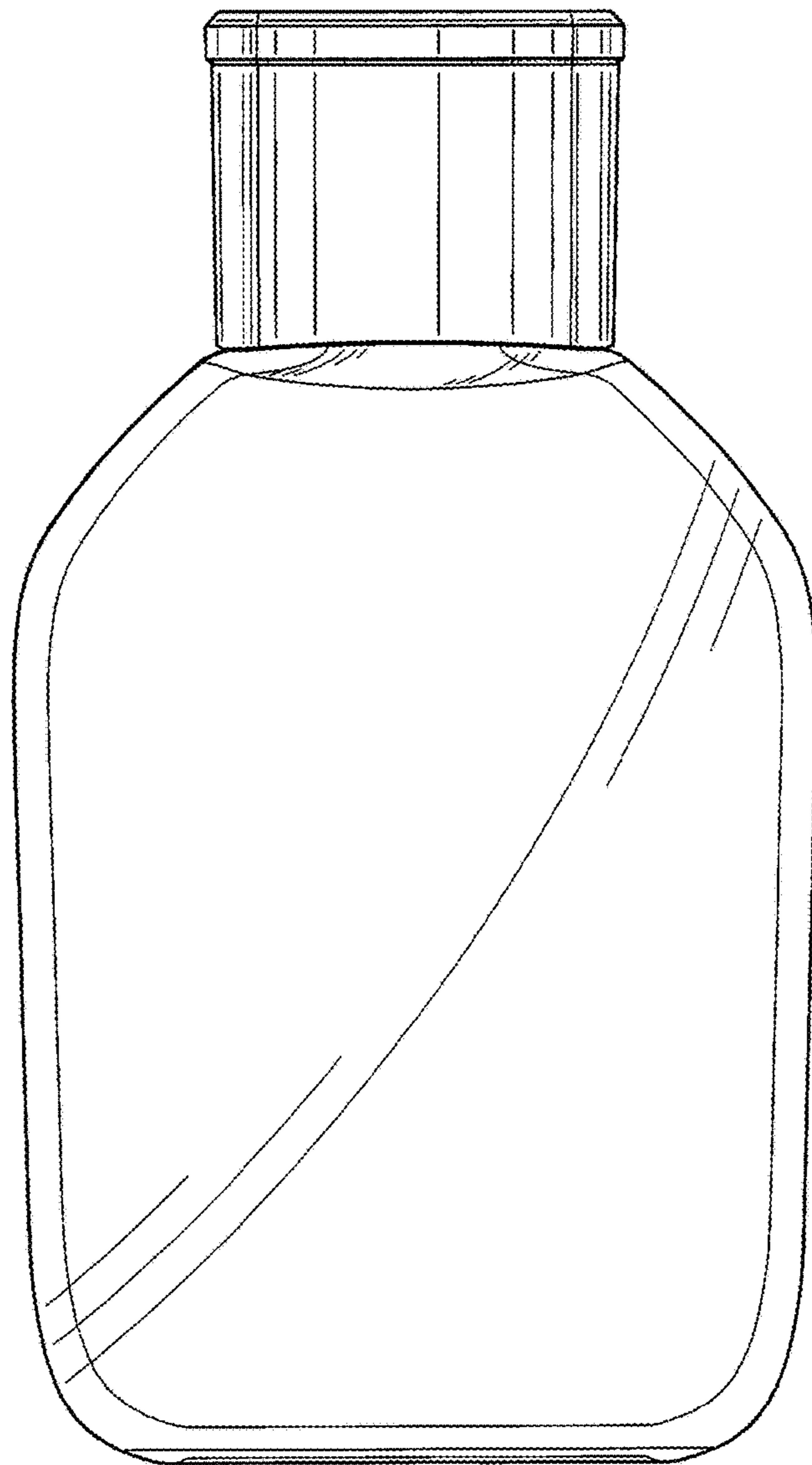


FIG. 11

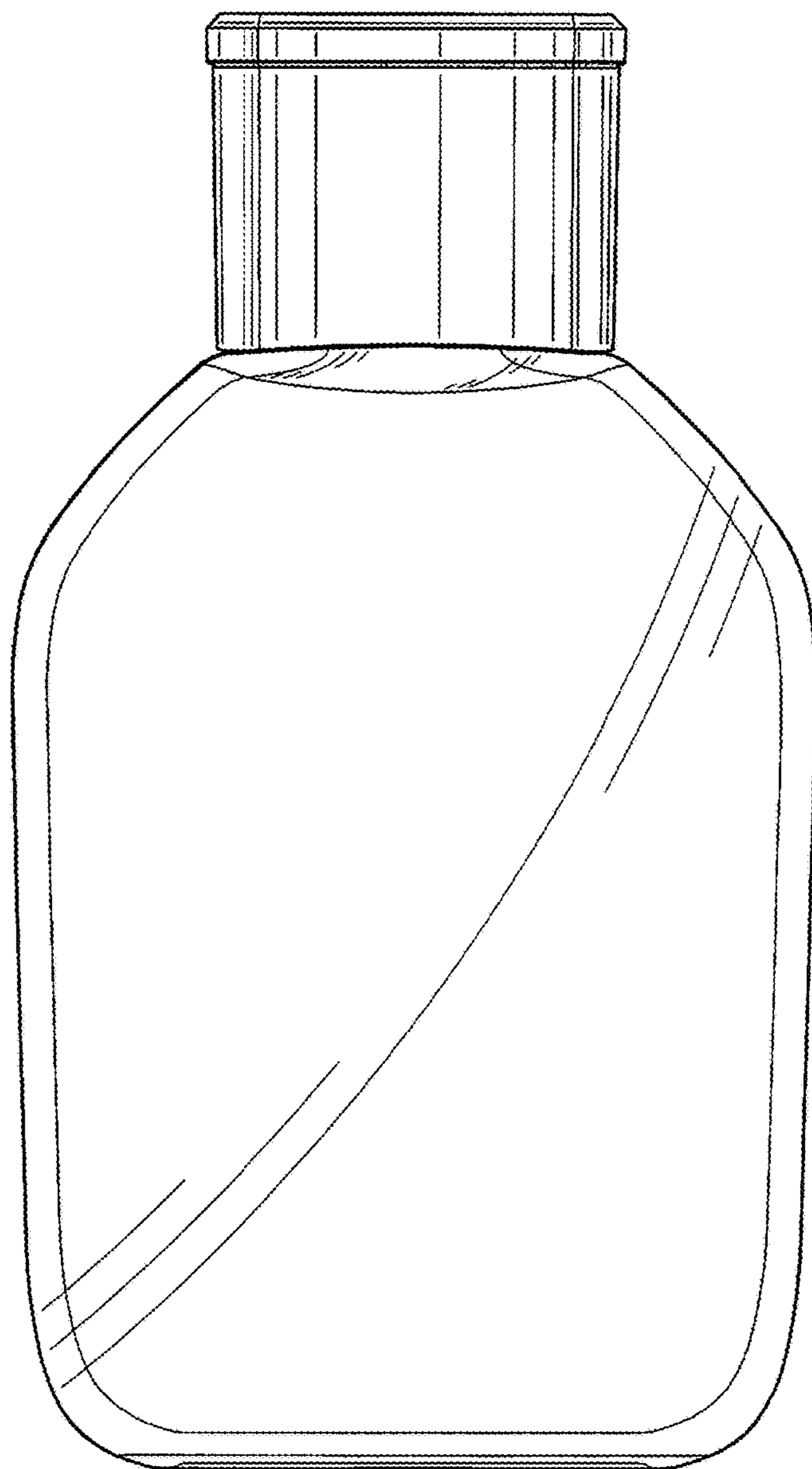


FIG. 12

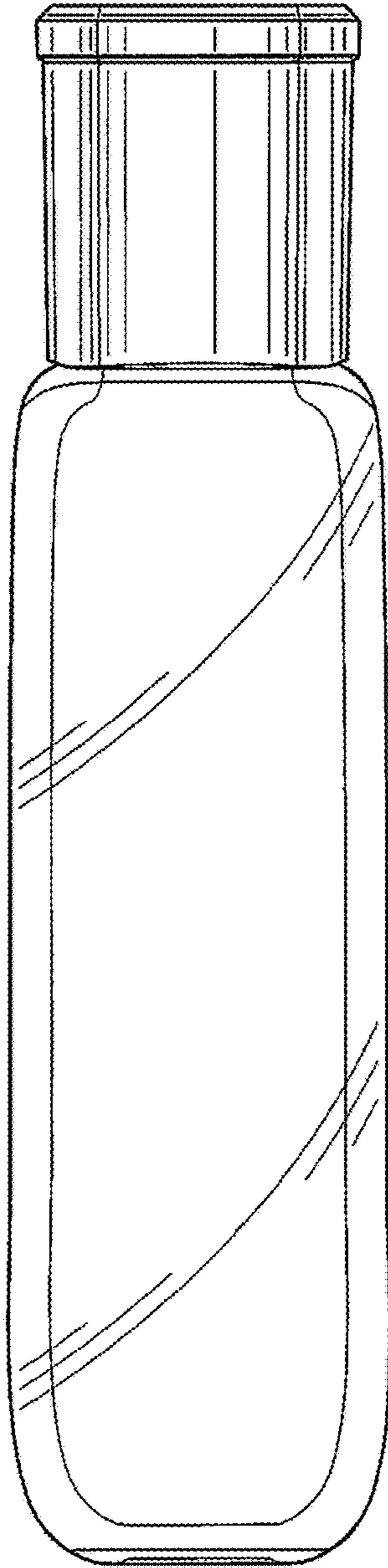


FIG. 13

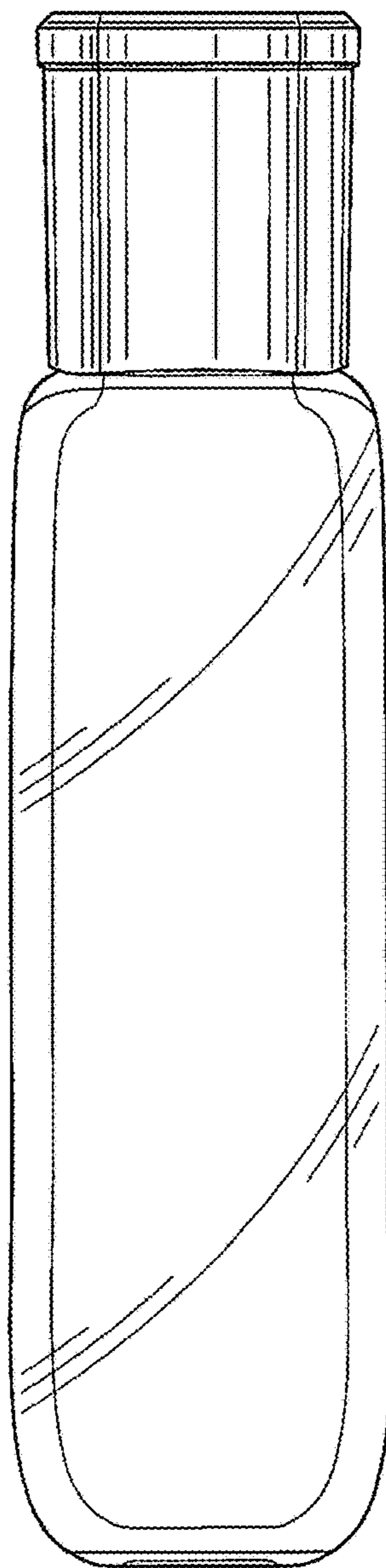


FIG. 14

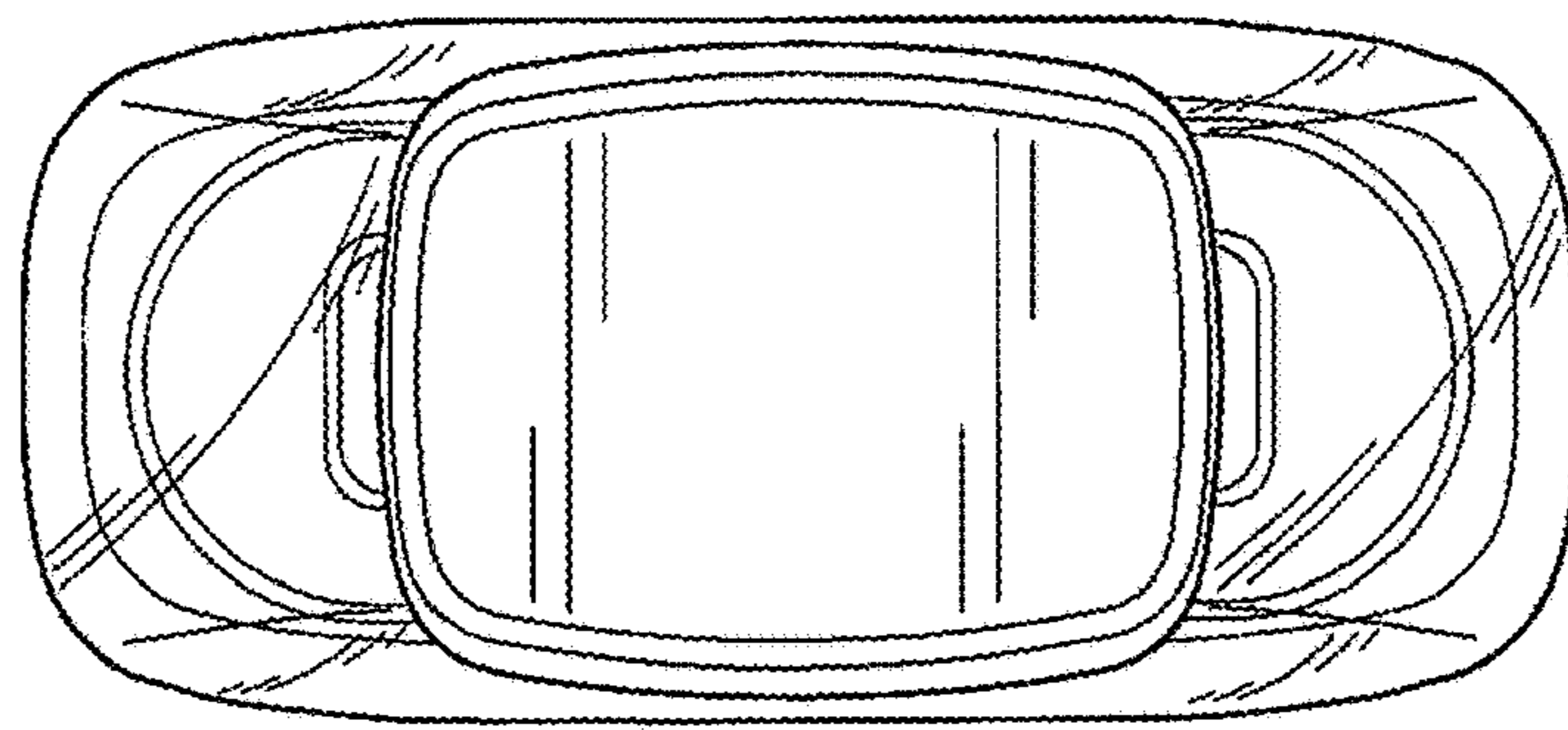


FIG. 15

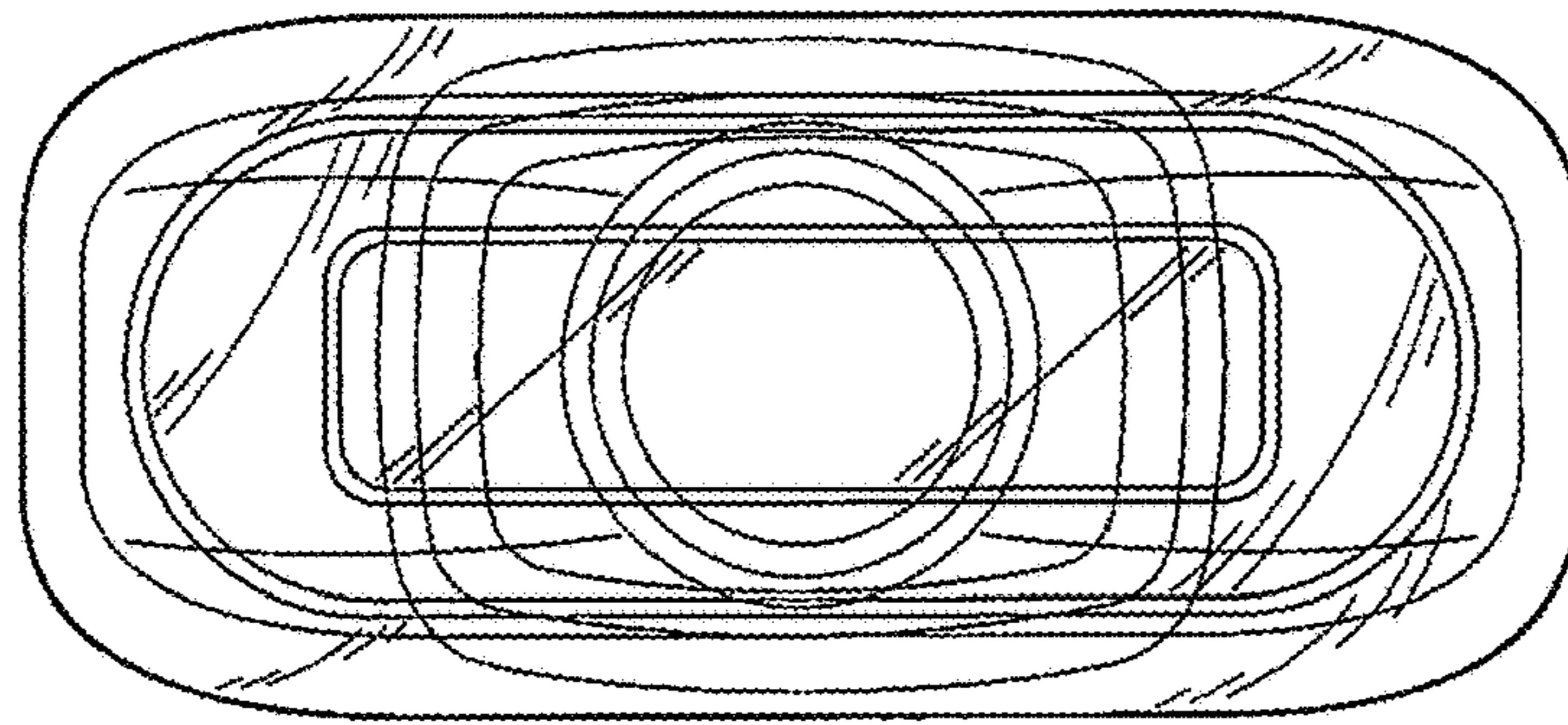


FIG. 16