



US00D863971S

(12) **United States Design Patent** (10) **Patent No.:** **US D863,971 S**  
**Monteparo et al.** (45) **Date of Patent:** **\*\* Oct. 22, 2019**

(54) **BOTTLE**

(71) Applicant: **Victoria's Secret Stores Brand Management, Inc.**, Reynoldsburg, OH (US)

(72) Inventors: **Sandra Monteparo**, Brooklyn, NY (US); **Jeffrey Uhl**, New York, NY (US); **Alyson Aversa**, New York, NY (US); **Karin Kleen**, Brooklyn, NY (US)

(73) Assignee: **Victoria's Secret Stores Brand Management, Inc.**, Reynoldsburg, OH (US)

(\*\*) Term: **15 Years**

(21) Appl. No.: **29/642,047**

(22) Filed: **Mar. 27, 2018**

(51) **LOC (12) Cl.** ..... **09-01**

(52) **U.S. Cl.**

USPC ..... **D9/560**; D9/544; D9/574

(58) **Field of Classification Search**

USPC ..... D9/432, 434-436, 452, 516, 530, D9/544-546, 559, 560, 564, 565, D9/570-575, 715, 719

CPC ..... B65D 21/0204; B65D 2501/0081; B65D 1/0223; B65D 25/18; B65D 25/2897

See application file for complete search history.

(56) **References Cited**

**U.S. PATENT DOCUMENTS**

D194,810 S *	3/1963	Dupree	.....	D7/300
D235,735 S *	7/1975	Dinand	.....	D9/544
D345,698 S	4/1994	Gobe		
D348,832 S	7/1994	Gobe		
D352,906 S	11/1994	Gobe		
D362,391 S	9/1995	Gobe		
D366,422 S	1/1996	Gobe		
D428,577 S *	7/2000	Shanahan	.....	D9/544

D519,844 S *	5/2006	Mansau	.....	D9/573
D530,211 S	10/2006	Lloyd		
D531,911 S	11/2006	Lloyd		
D537,352 S *	2/2007	Spiegel	.....	D9/535
D602,787 S *	10/2009	Gaultier	.....	D9/572
D632,969 S	2/2011	Monteparo et al.		
D649,471 S	11/2011	Guglielmo et al.		
D650,690 S	12/2011	Guglielmo et al.		
D655,612 S	3/2012	Oge-Nichols		

(Continued)

*Primary Examiner* — Ian Simmons

*Assistant Examiner* — Keith Frank

(74) *Attorney, Agent, or Firm* — Andrus Intellectual Property Law, LLP

(57) **CLAIM**

The ornamental design for a bottle, as shown and described.

**DESCRIPTION**

FIG. 1 is a top perspective view of a first embodiment of a bottle according to our new and ornamental design;

FIG. 2 is a front elevation view thereof, the rear elevation view being identical thereto;

FIG. 3 is a side elevation view thereof, the opposite side elevation view being identical thereto;

FIG. 4 is a top plan view thereof;

FIG. 5 is a bottom plan view thereof;

FIG. 6 is a bottom perspective view thereof;

FIG. 7 is a top perspective view of a second embodiment of a bottle according to our new and ornamental design;

FIG. 8 is a front elevation view thereof, the rear elevation view being identical thereto;

FIG. 9 is a side elevation view thereof, the opposite side elevation view being identical thereto;

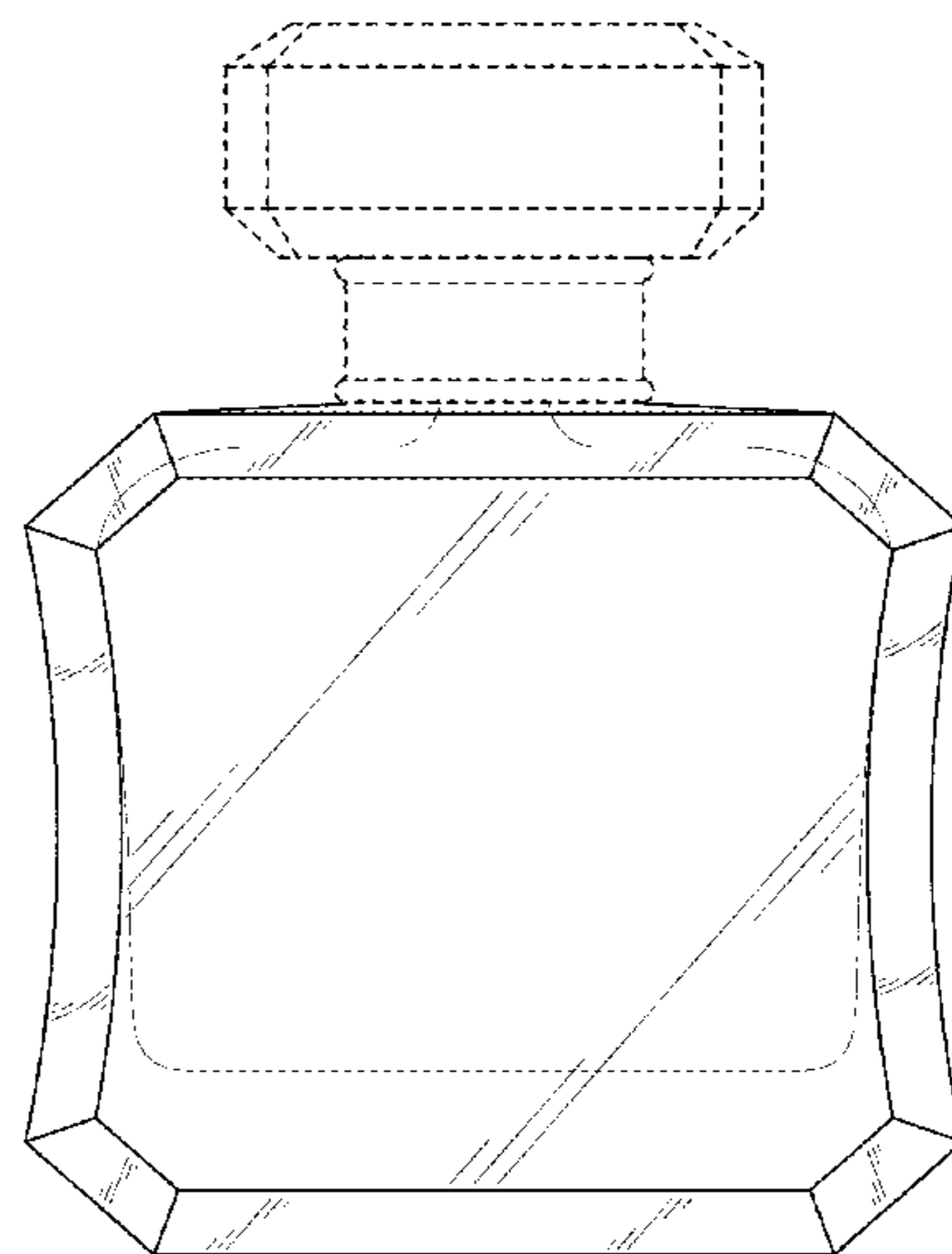
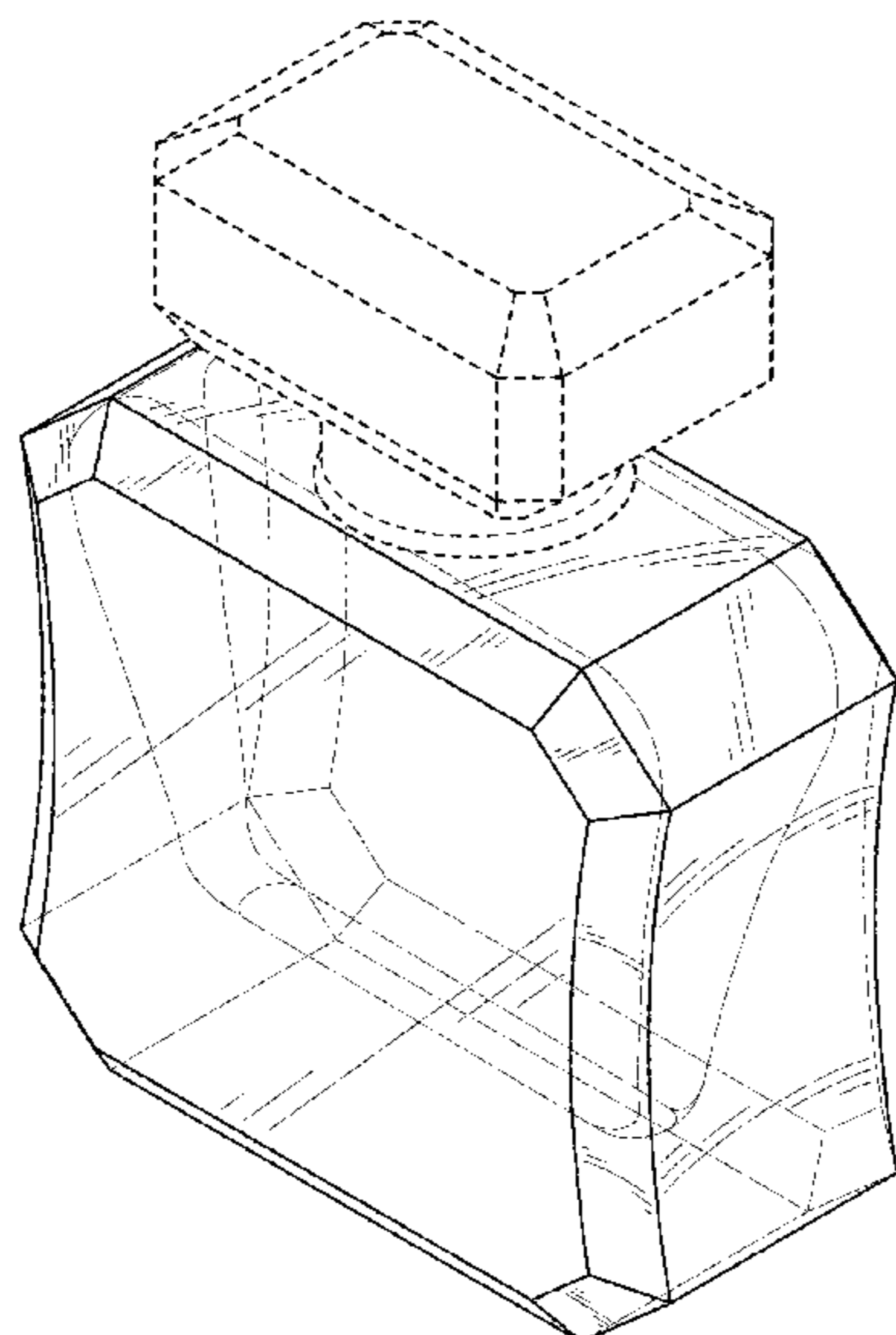
FIG. 10 is a top plan view thereof;

FIG. 11 is a bottom plan view thereof; and,

FIG. 12 is a bottom perspective view thereof.

The broken lines in FIGS. 1-12 illustrate portions of the bottle that form no part of the claimed design.

**1 Claim, 10 Drawing Sheets**



(56)

**References Cited**

## U.S. PATENT DOCUMENTS

D664,039	S	7/2012	Monteparo et al.	
D670,176	S	11/2012	Monteparo et al.	
D671,008	S	11/2012	Monteparo et al.	
D678,073	S	3/2013	Oge-Nichols et al.	
D678,776	S *	3/2013	Lecetre .....	D9/544
D680,004	S *	4/2013	Lecetre .....	D9/544
D680,872	S	4/2013	Uribe et al.	
D686,371	S	7/2013	Moschitto et al.	
D737,689	S	9/2015	Monteparo	
D739,250	S *	9/2015	Rohit .....	D9/529
D741,721	S	10/2015	Monteparo et al.	
D751,408	S *	3/2016	Baron .....	D9/520
D763,095	S	8/2016	Monteparo	
D770,910	S	11/2016	Monteparo et al.	
D784,149	S *	4/2017	Funk .....	D9/520
D791,601	S *	7/2017	Hainaut .....	D9/543
D808,814	S *	1/2018	Lassus Daily .....	D9/542
D813,041	S *	3/2018	Staab .....	D9/522
D813,048	S	3/2018	Hamel et al.	
D822,495	S *	7/2018	Ericson .....	D9/546
D826,724	S *	8/2018	Staab .....	D9/574
D833,290	S *	11/2018	Byron .....	D9/559

\* cited by examiner

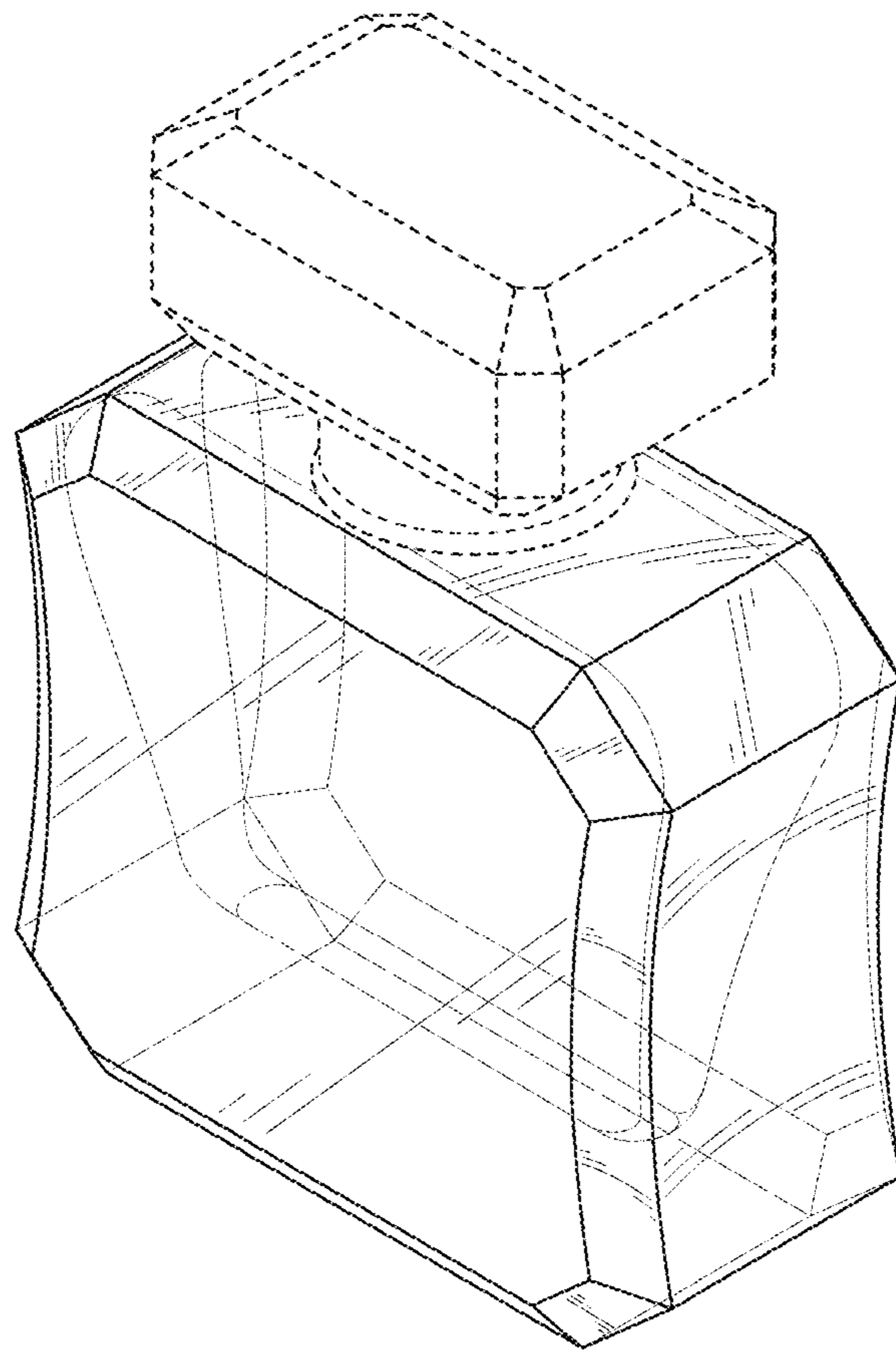


FIG. 1

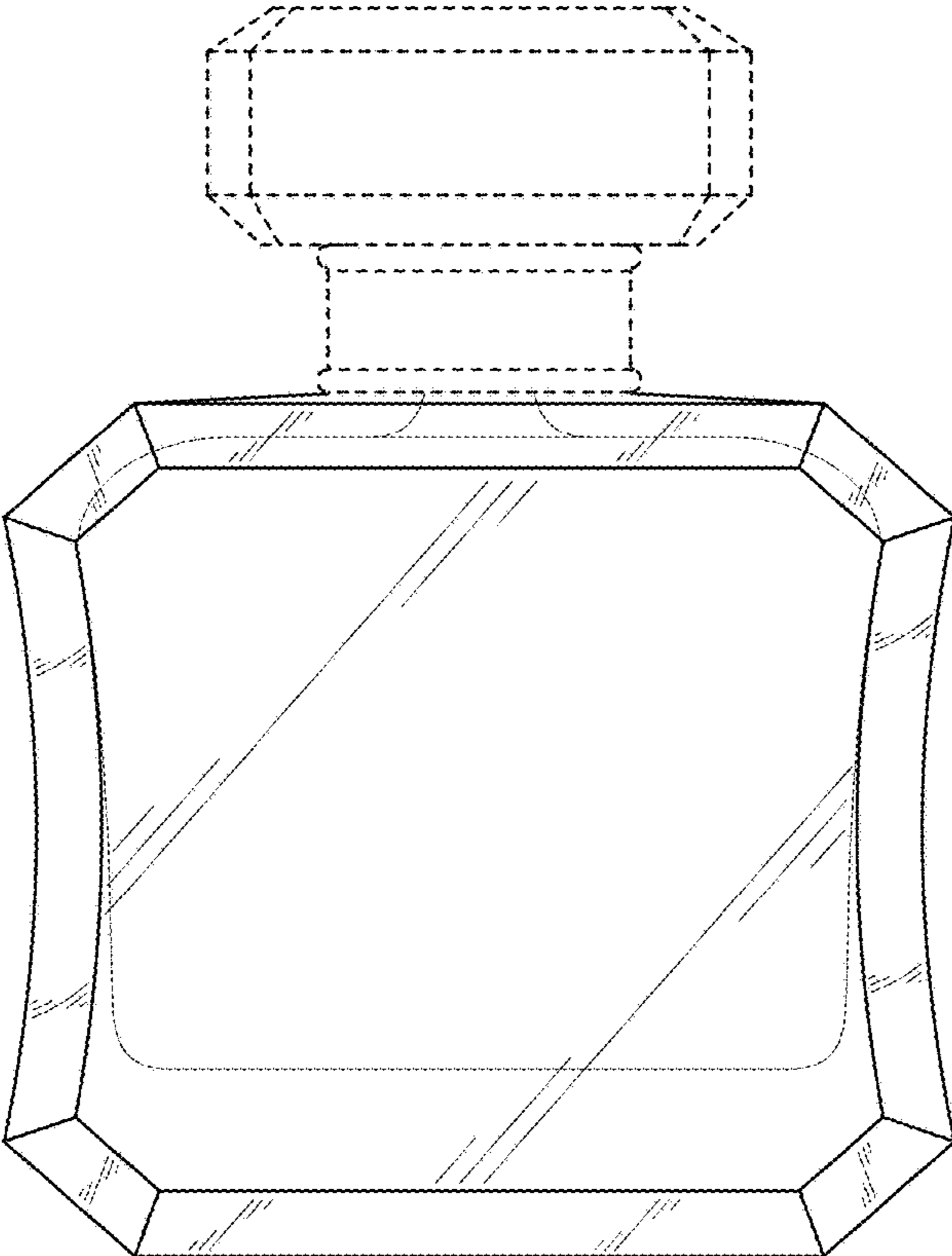


FIG. 2

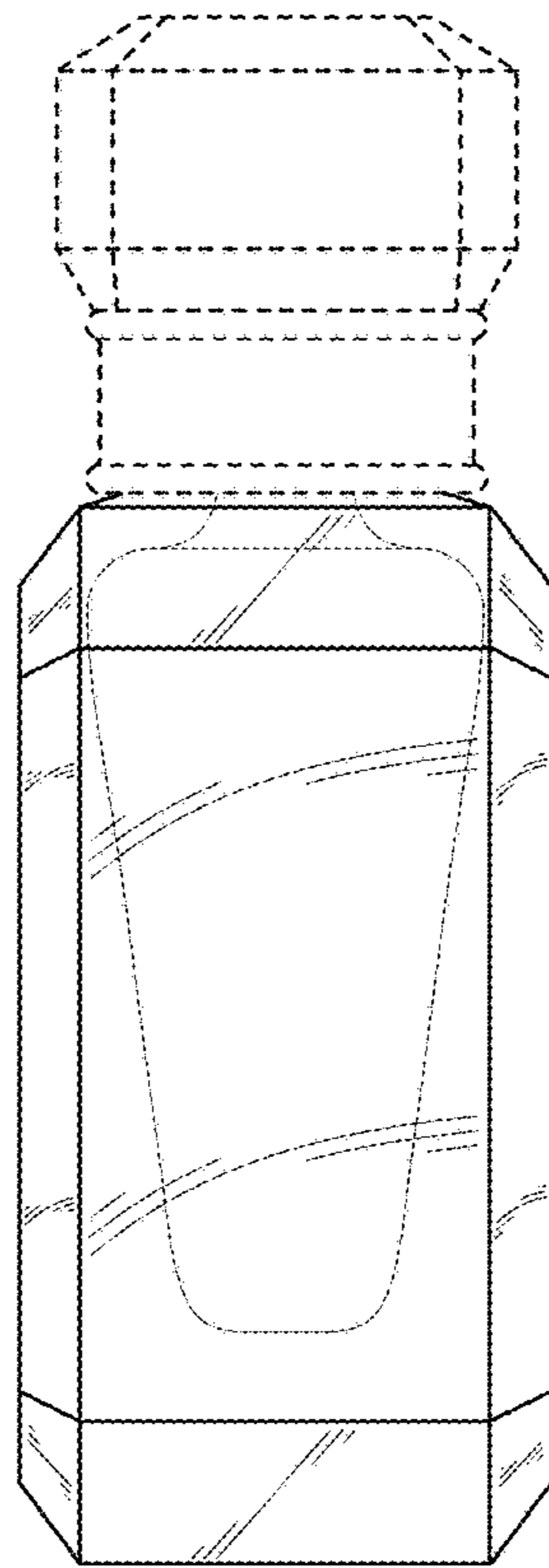


FIG. 3

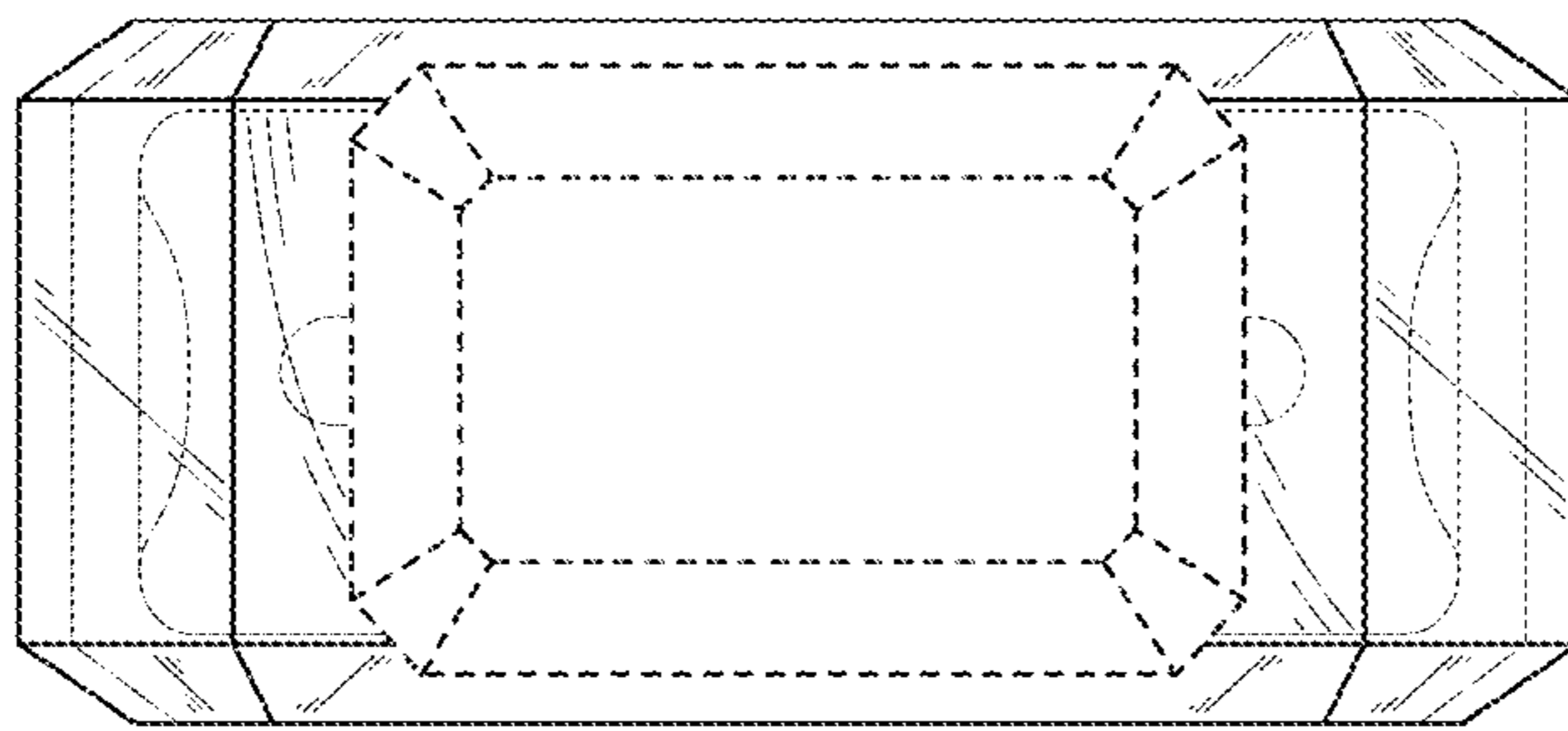


FIG. 4

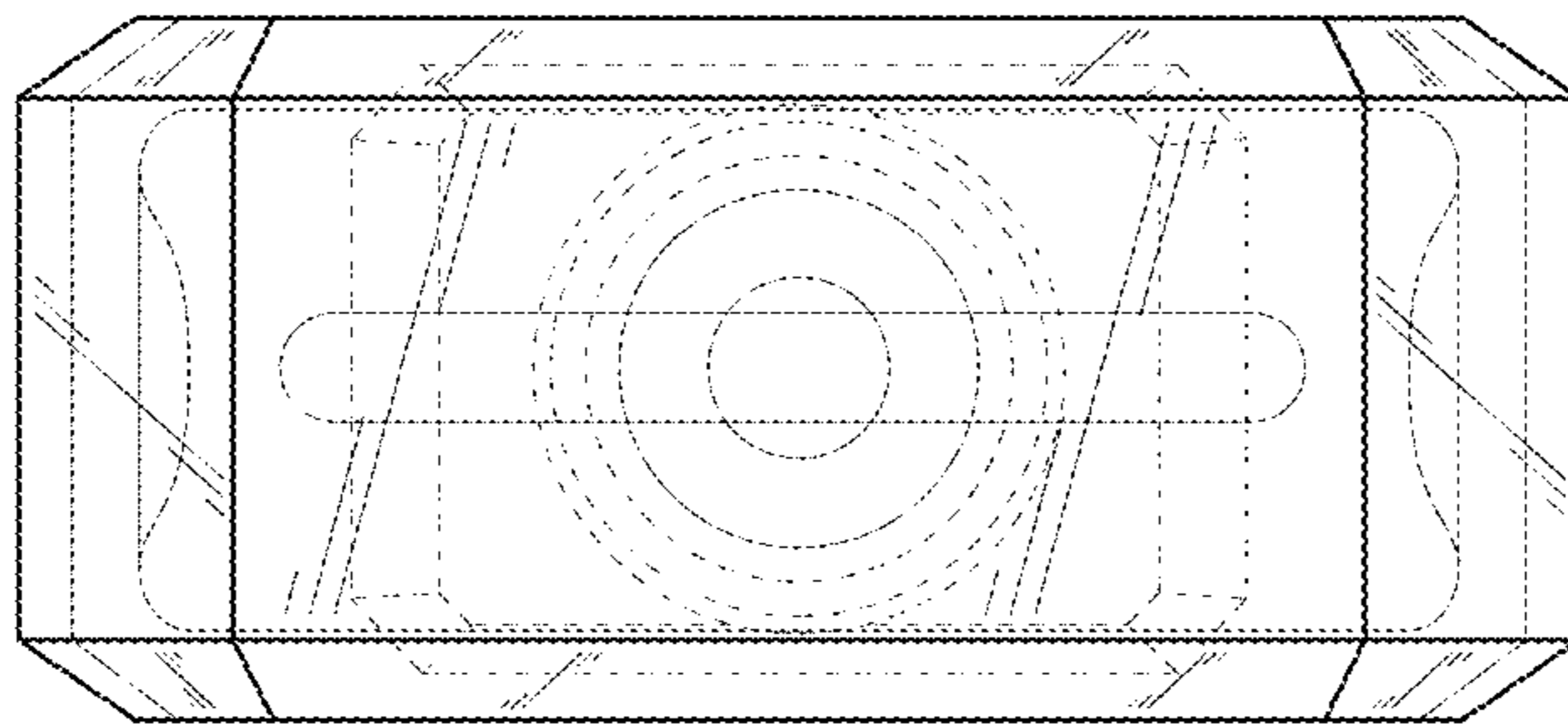


FIG. 5

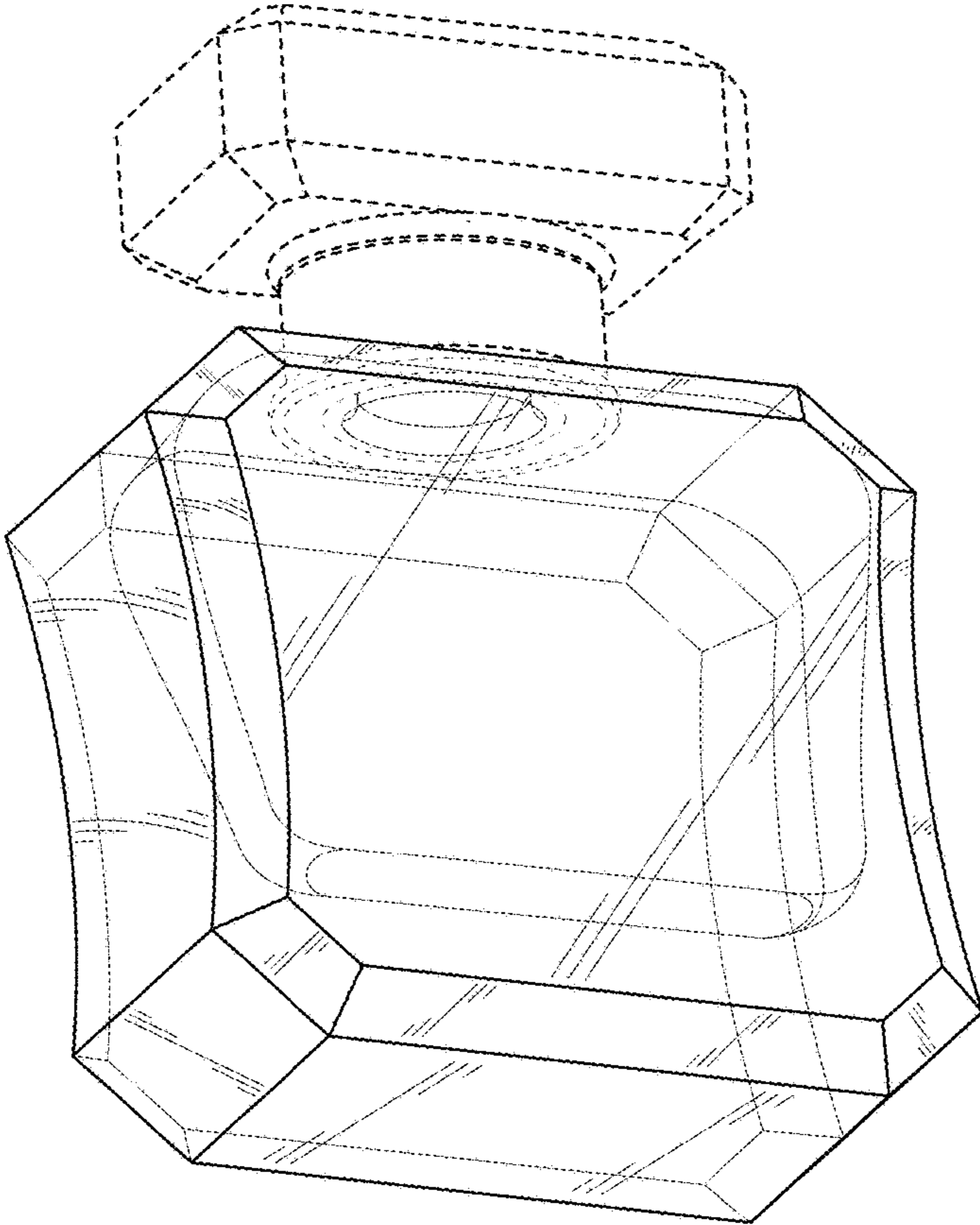


FIG. 6

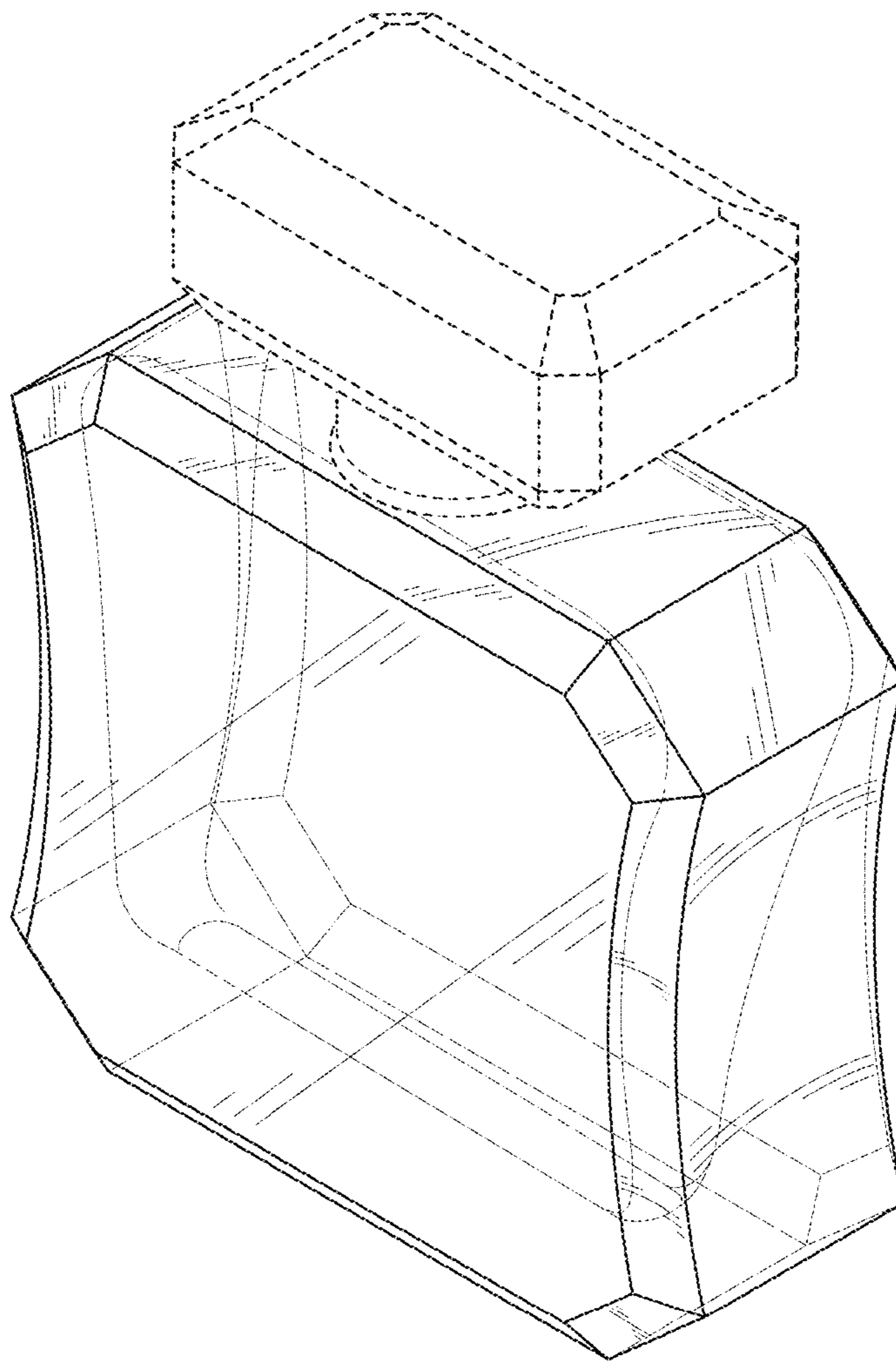


FIG. 7



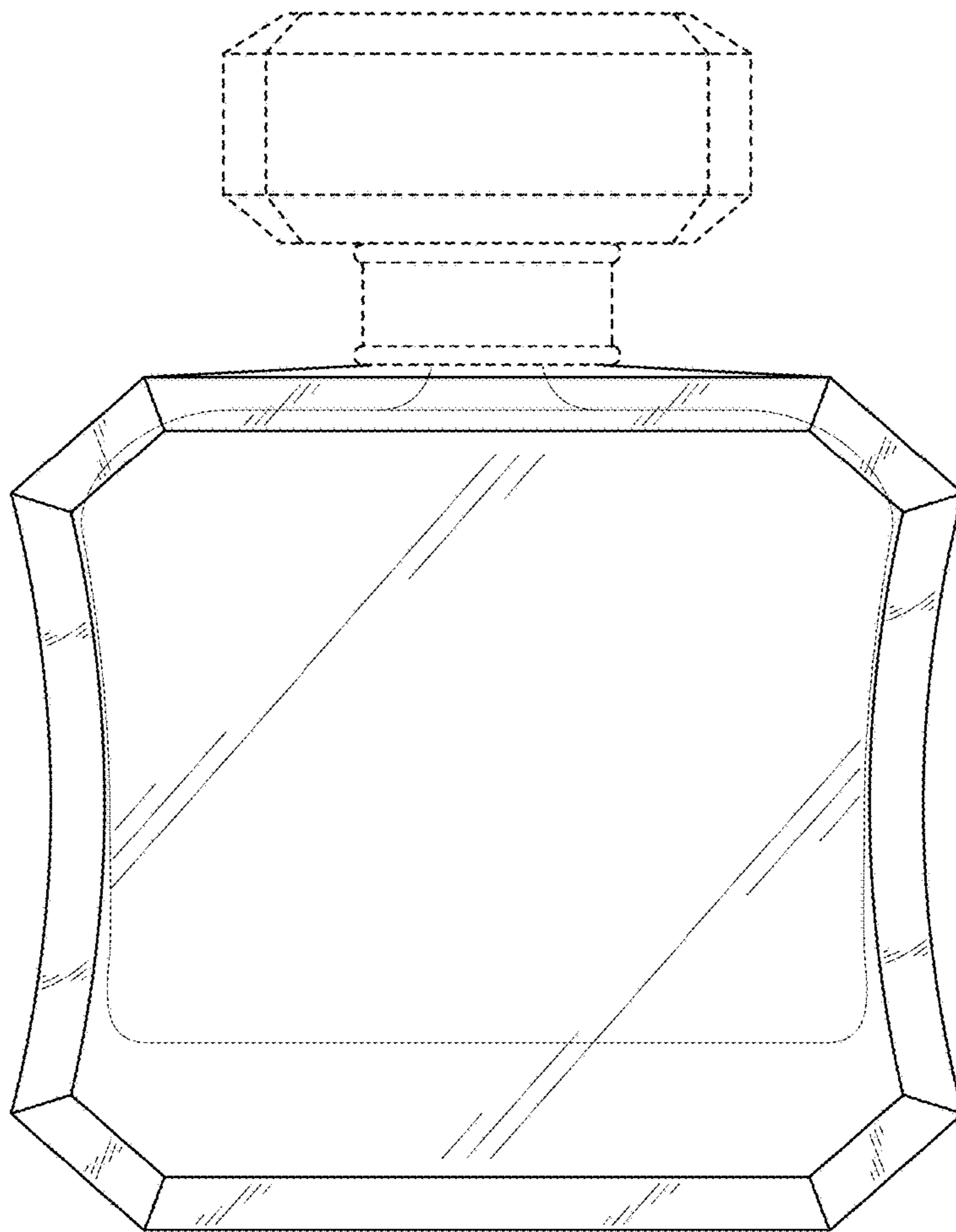


FIG. 8

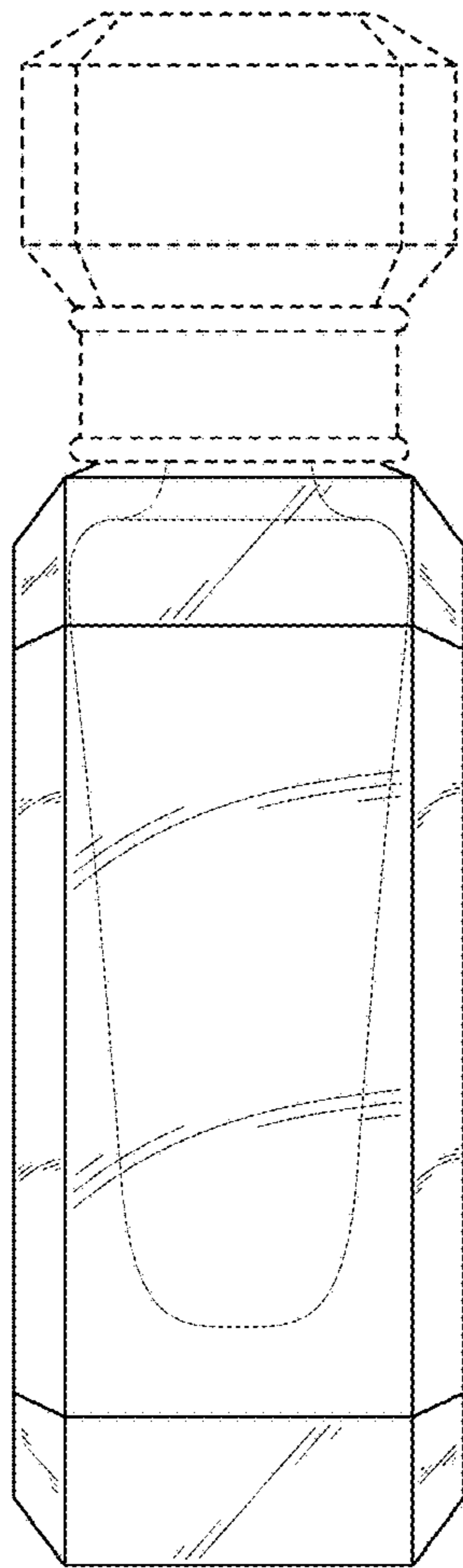


FIG. 9

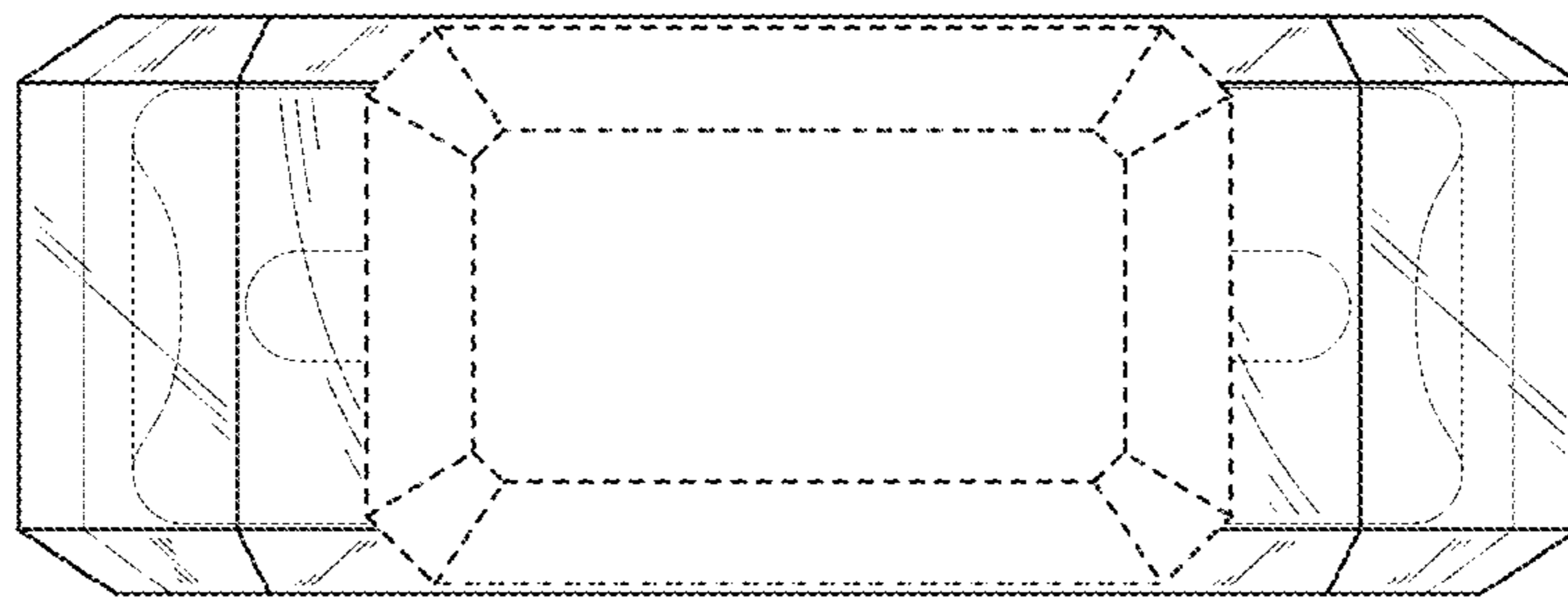


FIG. 10

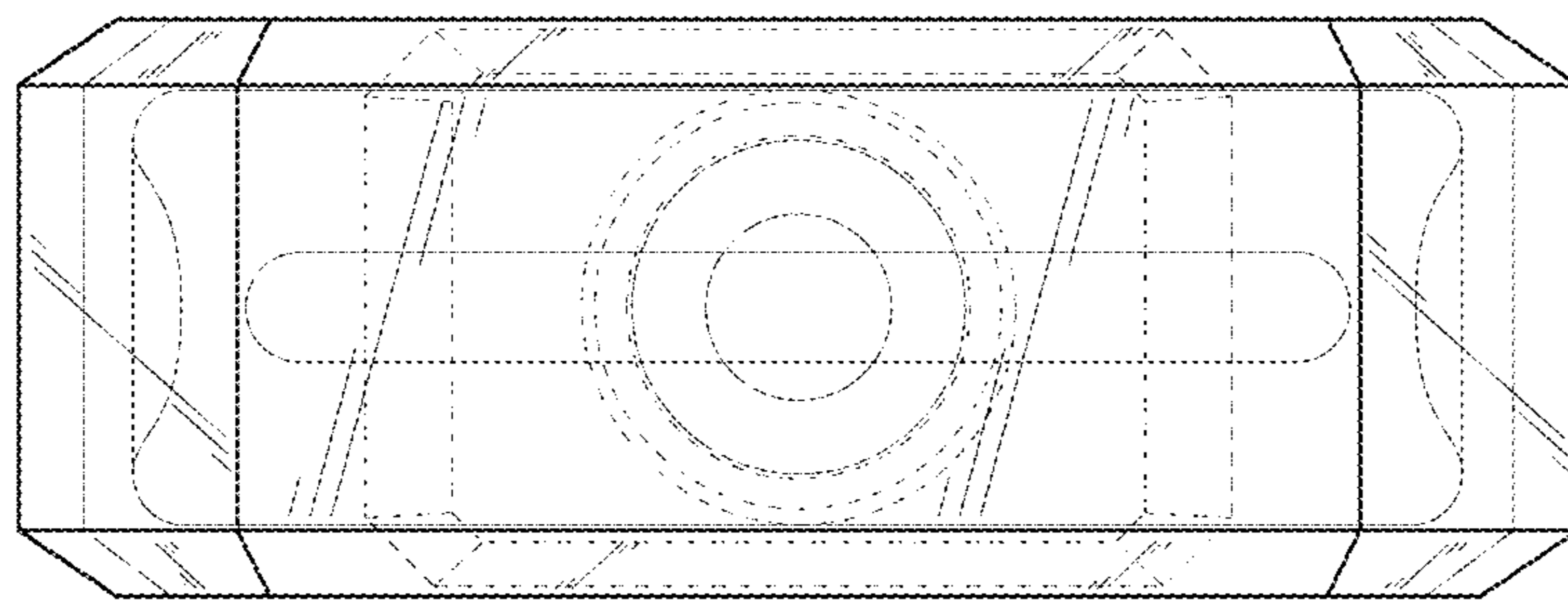


FIG. 11

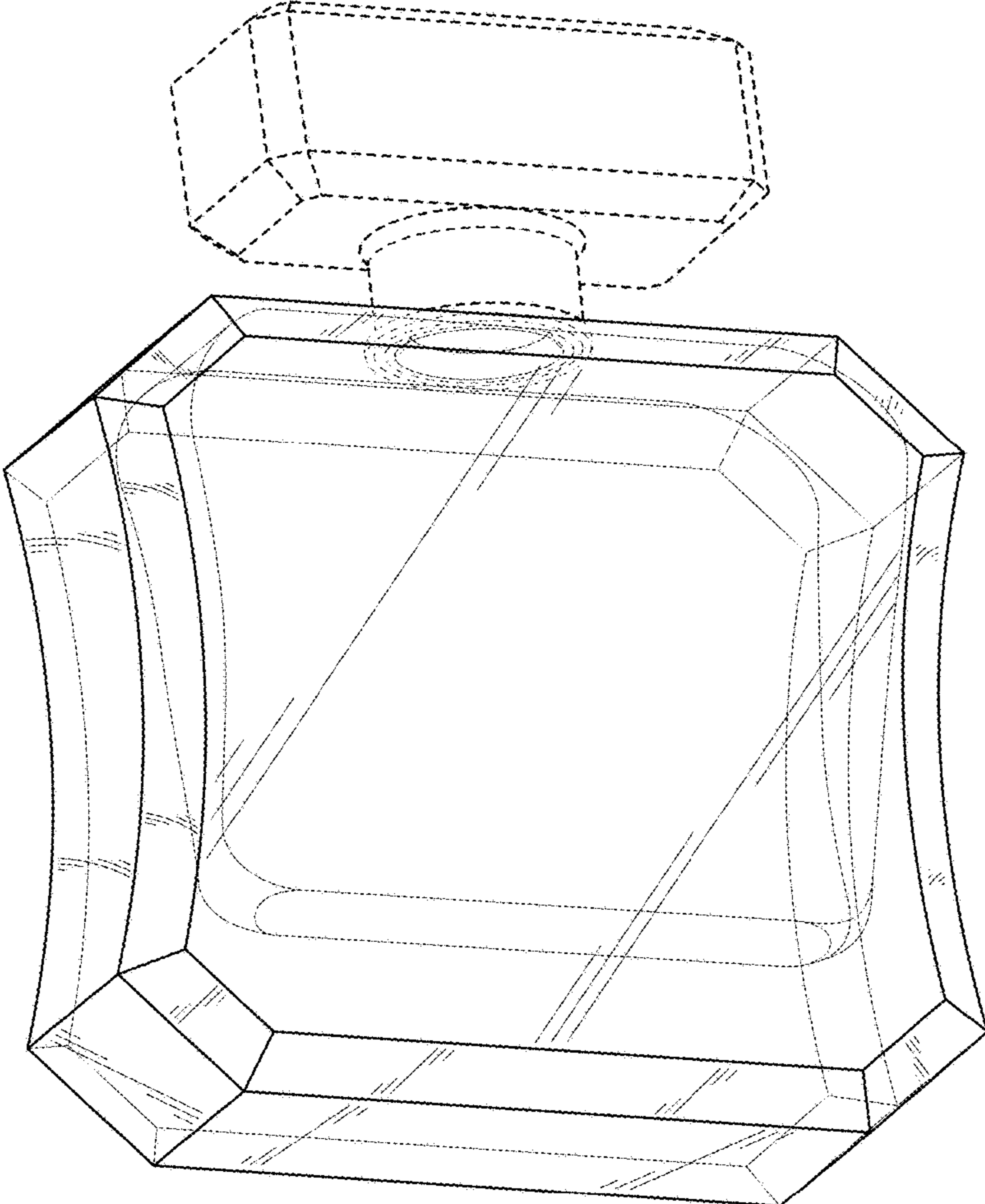


FIG. 12