



US00D863969S

(12) **United States Design Patent**  
**Sterling**

(10) **Patent No.:** **US D863,969 S**

(45) **Date of Patent:** **\*\* Oct. 22, 2019**

(54) **CONTAINER**

(71) Applicant: **Henkel IP & Holding GmbH**,  
Duesseldorf (DE)

(72) Inventor: **Daniel Peter Sterling**, Fairfield, CT  
(US)

(73) Assignee: **Henkel IP & Holding GmbH** (DE)

(\*\*) Term: **15 Years**

(21) Appl. No.: **29/634,819**

(22) Filed: **Jan. 25, 2018**

(51) **LOC (12) Cl.** ..... **09-01**

(52) **U.S. Cl.**

USPC ..... **D9/560; D9/574**

(58) **Field of Classification Search**

USPC ..... D9/432, 434-436, 452, 516, 529,

D9/530-532, 559, 560, 564, 565,

D9/570-575, 715, 719; D32/53, 53.1

CPC ..... B65D 21/0204; B65D 2501/0081; B65D

1/0223; B65D 25/18; B65D 25/2897

See application file for complete search history.

(56) **References Cited**

**U.S. PATENT DOCUMENTS**

D89,420 S \* 3/1933 Smith ..... D9/563

D320,554 S \* 10/1991 Van Dine ..... D9/574

D393,211 S \* 4/1998 Mengeu ..... D9/543

D401,157 S \* 11/1998 Gech ..... D9/570

D429,646 S \* 8/2000 Goettner ..... D9/529

D531,913 S \* 11/2006 Heisner ..... D9/560

D537,492 S \* 2/2007 Paolucci ..... D21/707

D579,778 S \* 11/2008 De Gopegui ..... D9/523

D607,743 S \* 1/2010 Eble ..... D9/559

D651,516 S \* 1/2012 Schaeffer ..... D9/522

D701,769 S \* 4/2014 Eble ..... D9/520

D777,036 S \* 1/2017 Vizcarra ..... D9/548

D787,337 S \* 5/2017 Niesmann ..... D9/560

\* cited by examiner

*Primary Examiner* — Ian Simmons

*Assistant Examiner* — Keith Frank

(74) *Attorney, Agent, or Firm* — Bojuan Deng

(57) **CLAIM**

The ornamental design for container, as shown and described.

**DESCRIPTION**

FIG. 1 is a top perspective view of a container embodying my new design;

FIG. 2 is a front elevation view thereof;

FIG. 3 is a rear elevation view thereof;

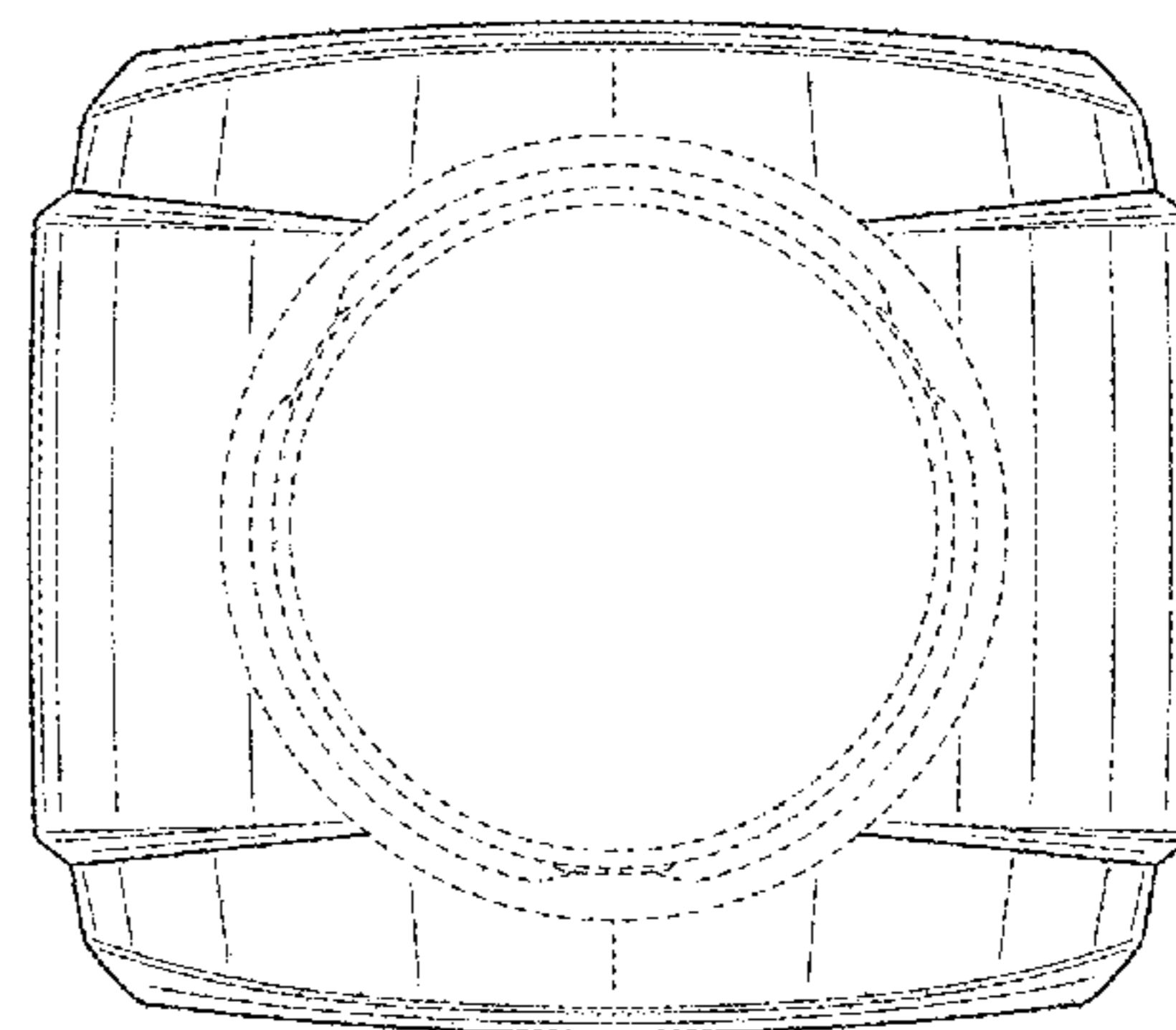
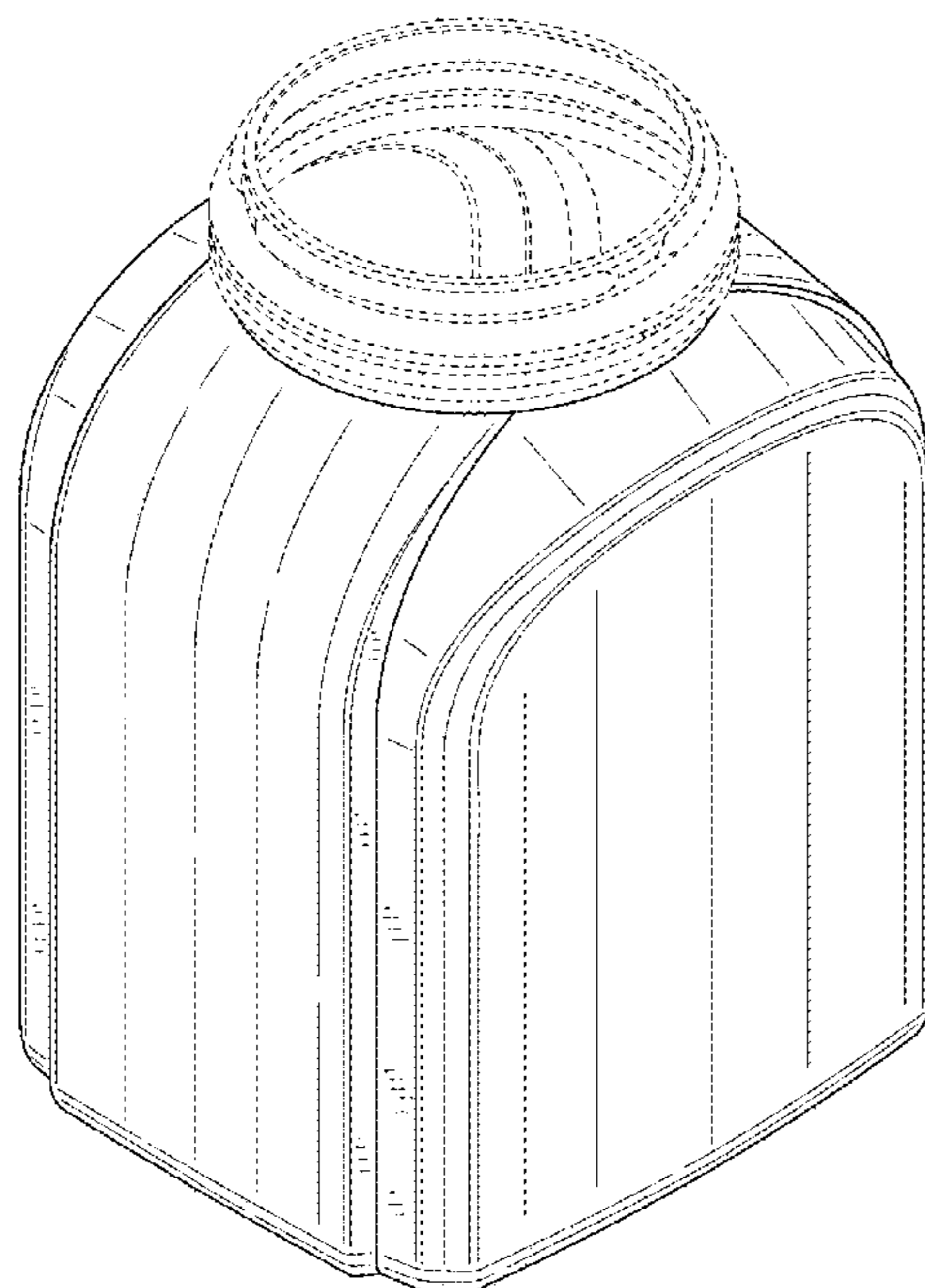
FIG. 4 is a right side elevation view thereof;

FIG. 5 is a left side elevation view thereof;

FIG. 6 is a top plan view thereof; and,

FIG. 7 is a bottom plan view thereof.

**1 Claim, 7 Drawing Sheets**



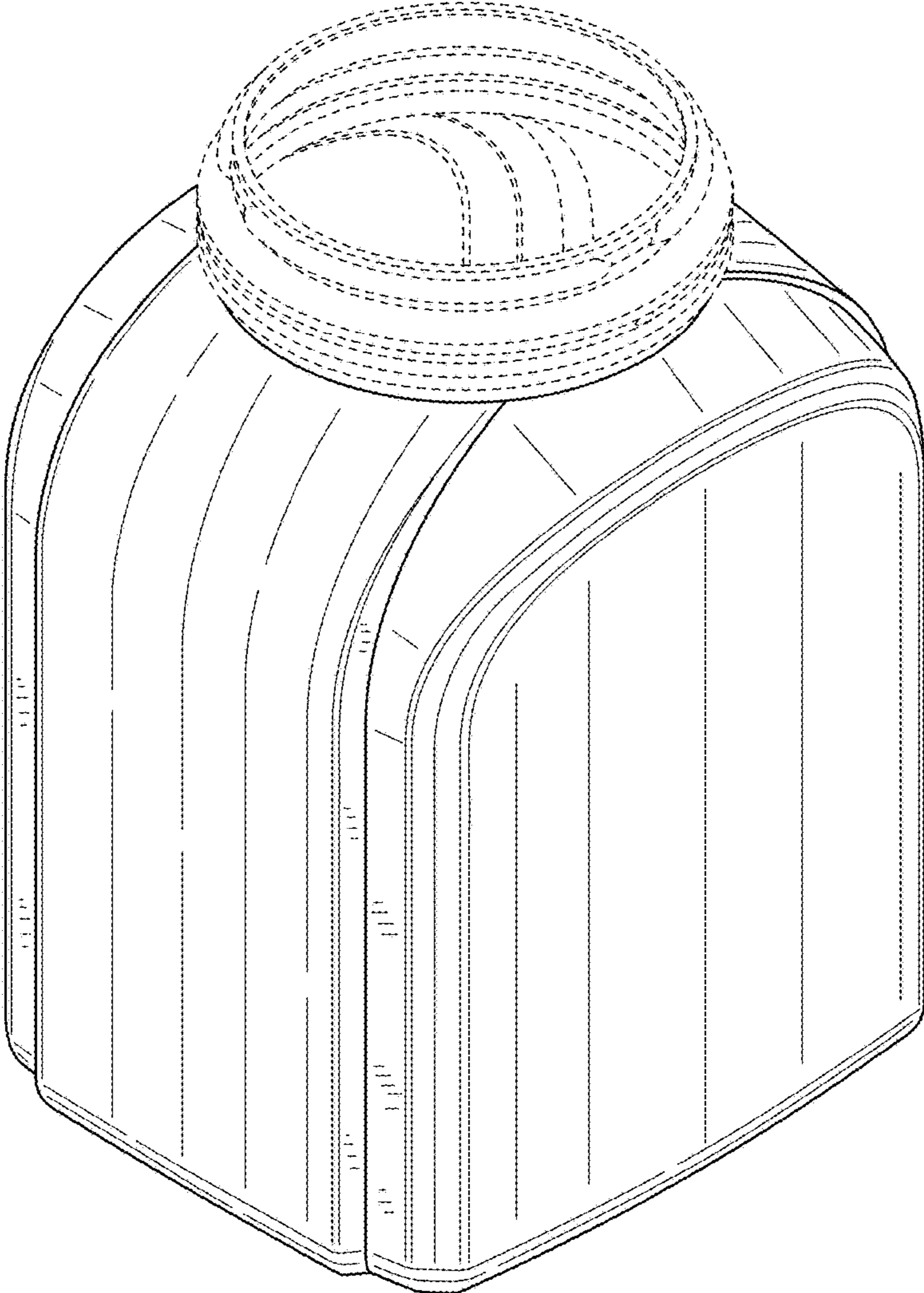


FIG. 1

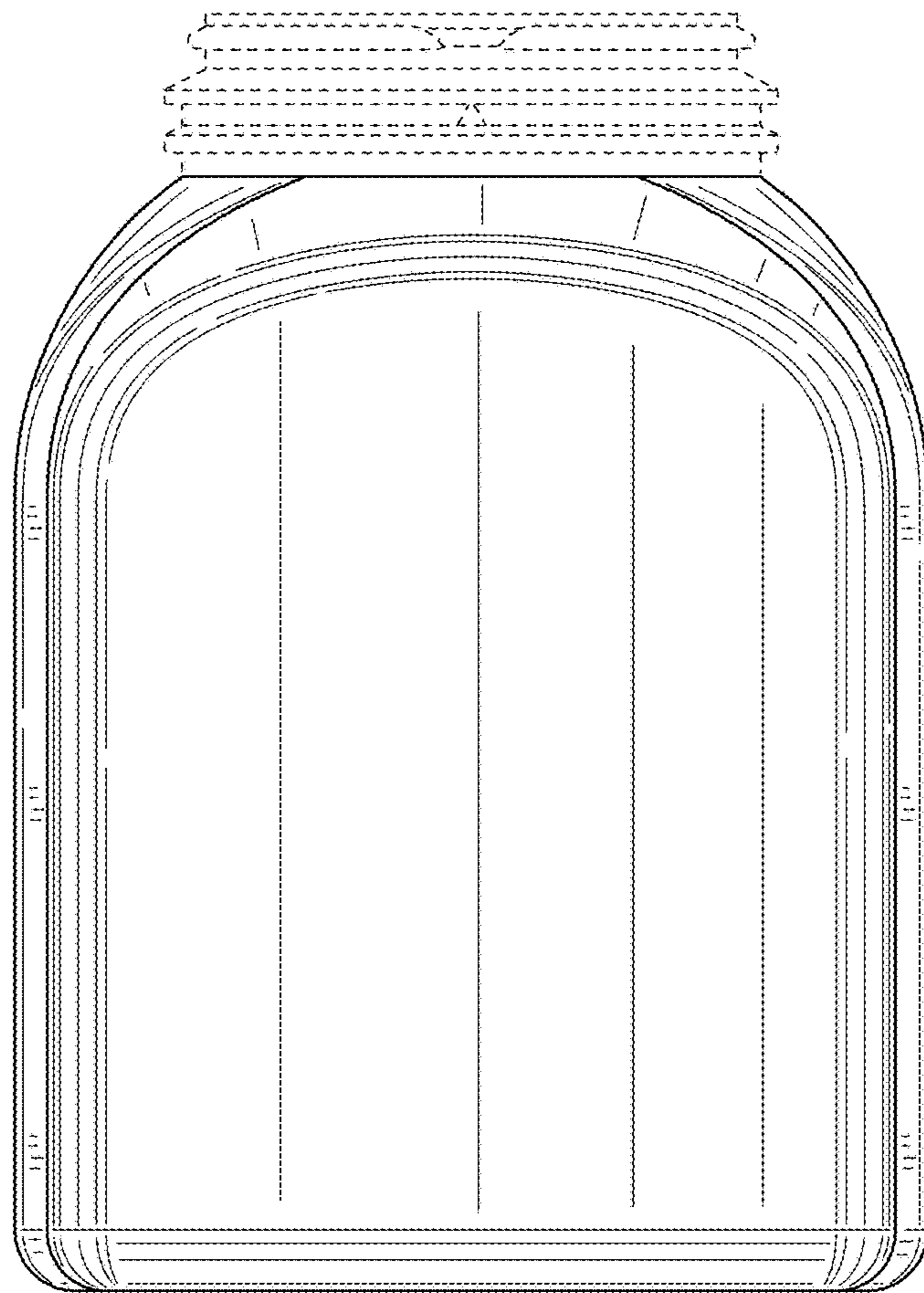


FIG.2

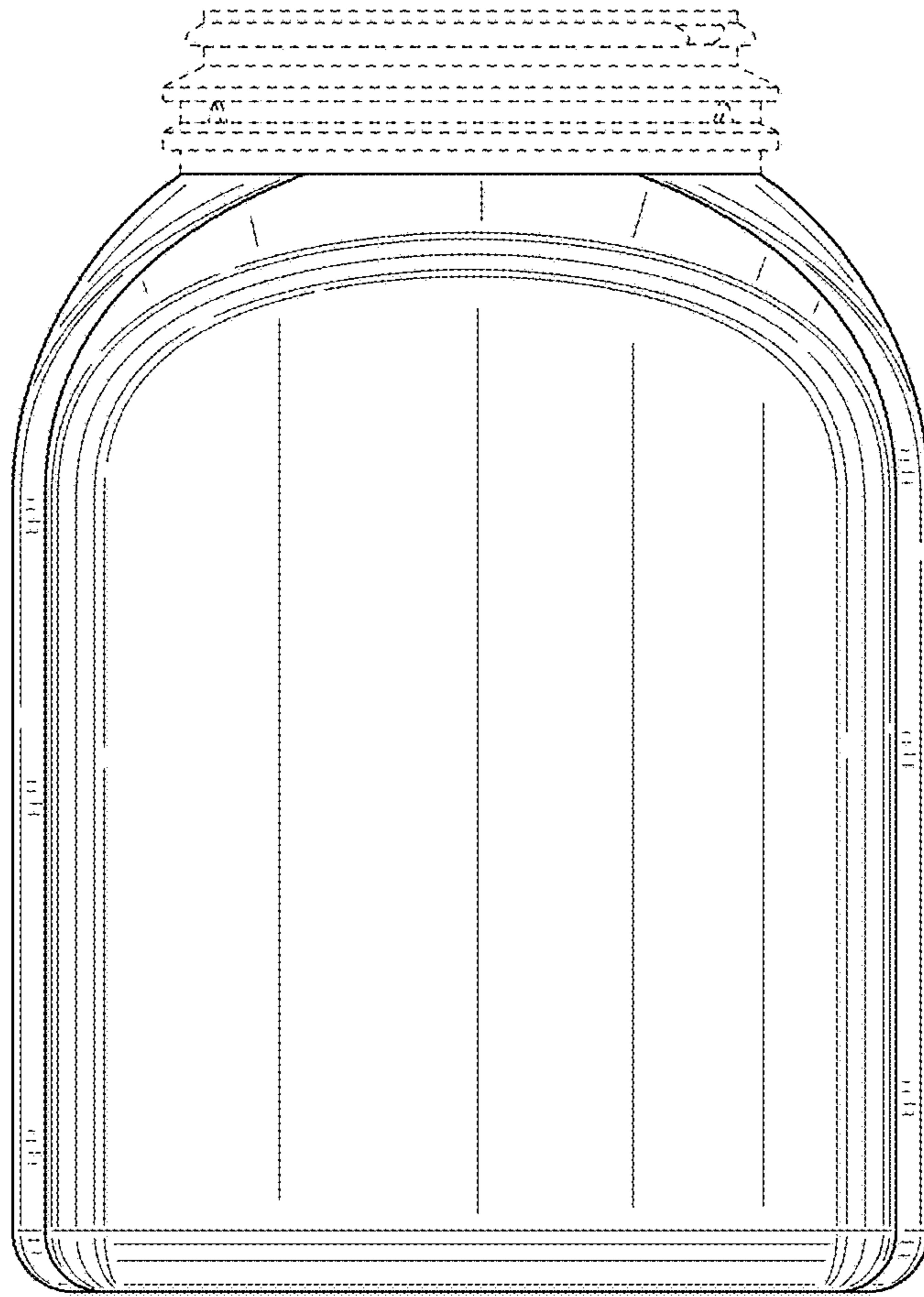


FIG.3

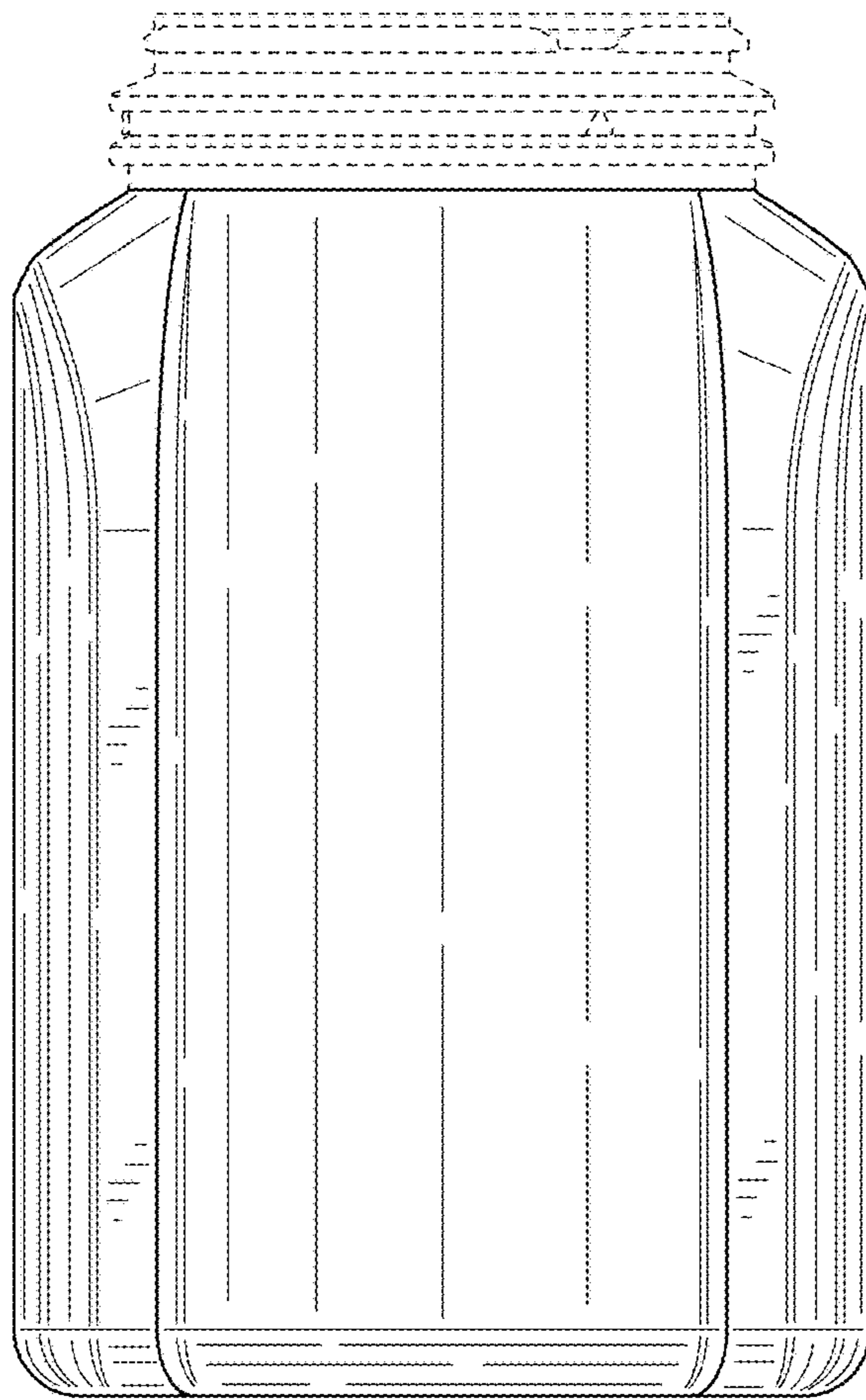


FIG.4

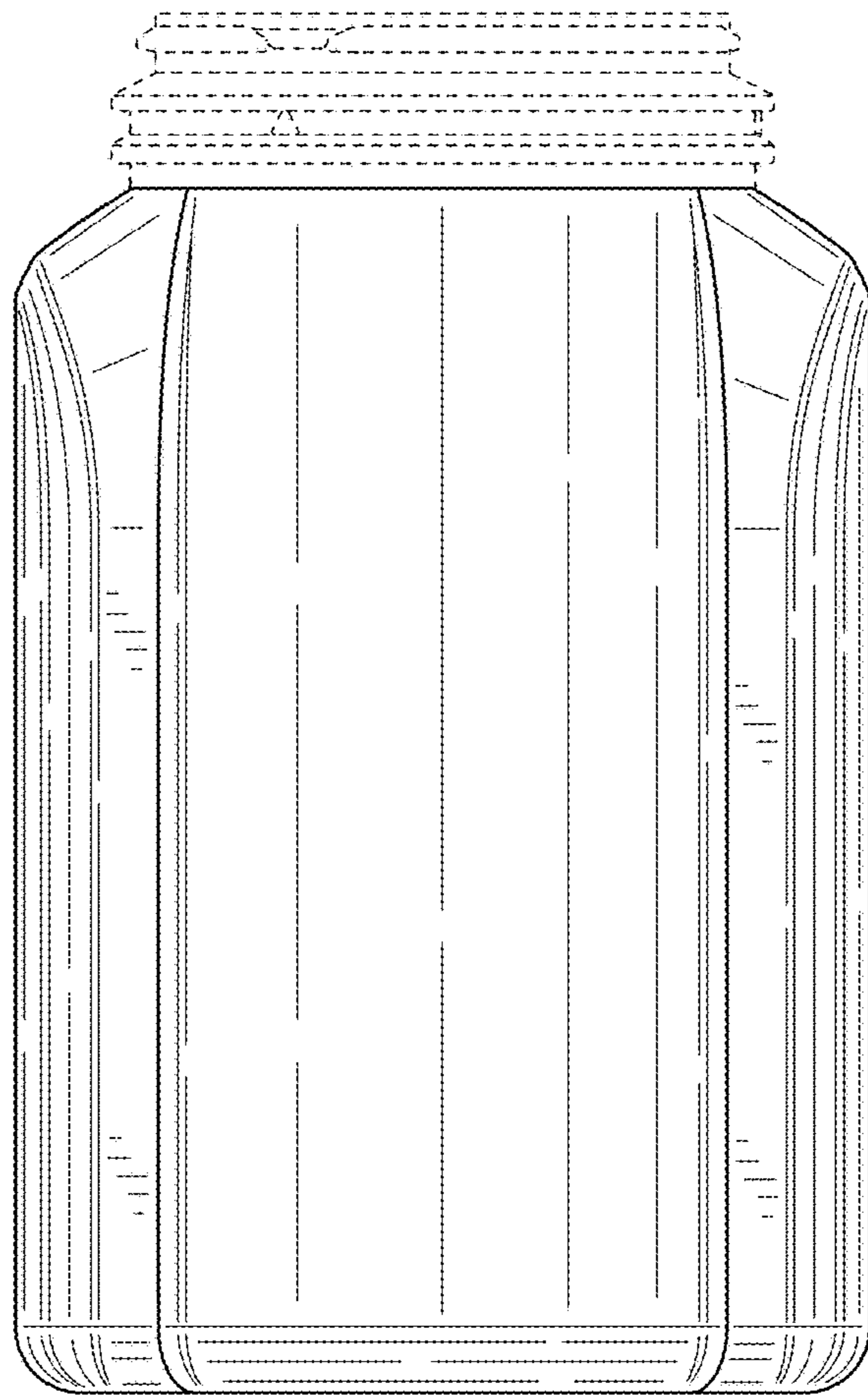


FIG.5

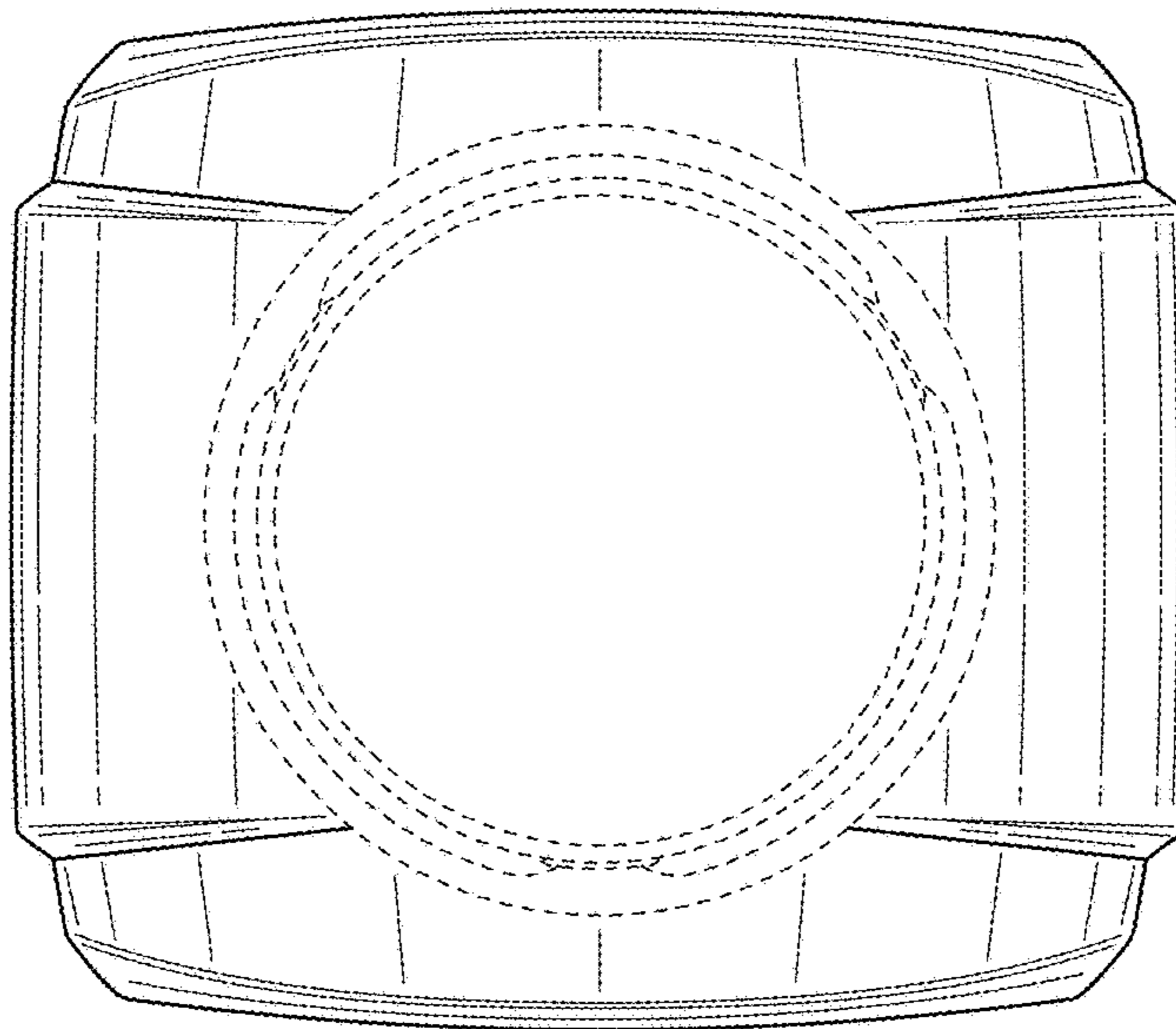


FIG.6

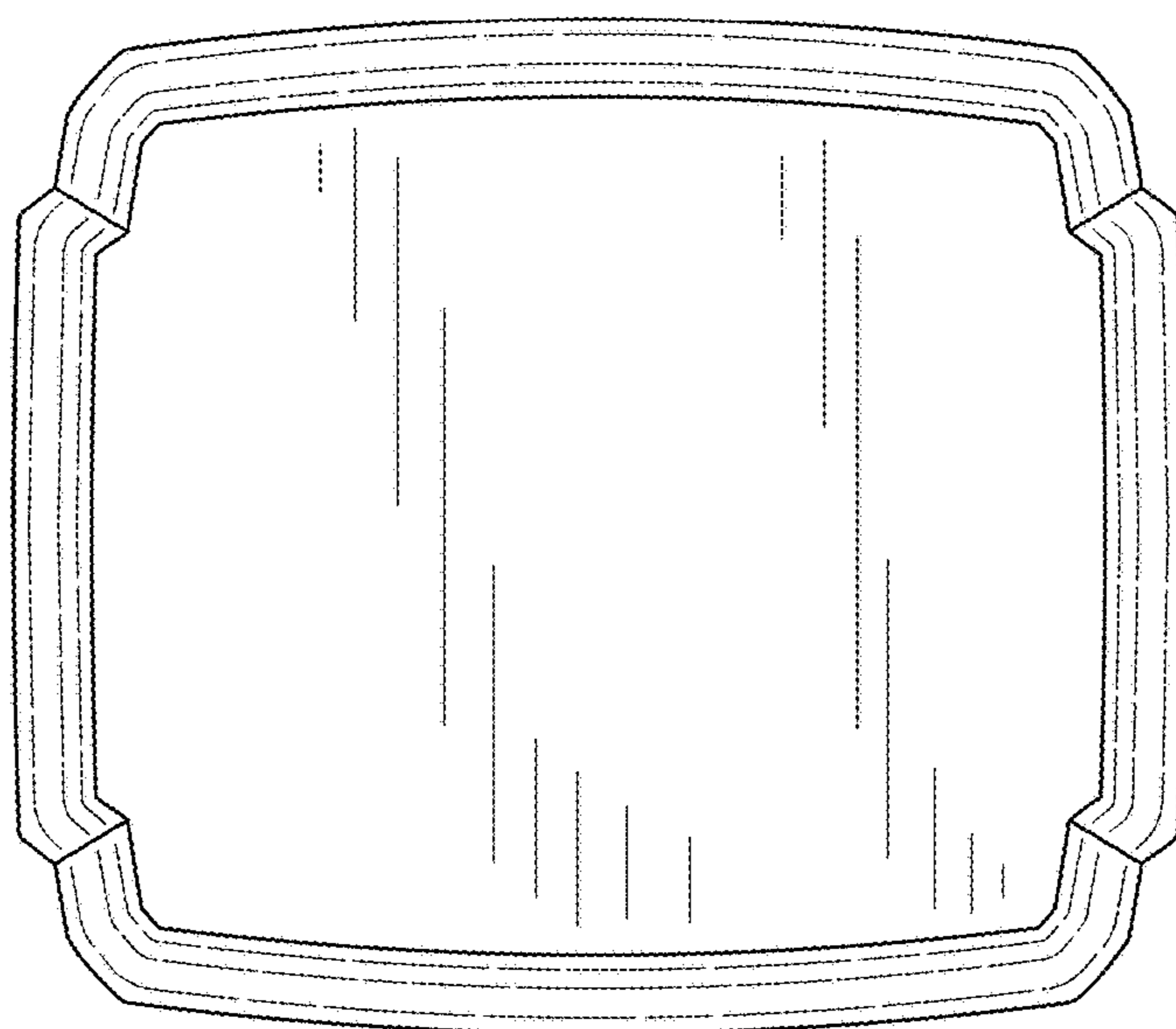


FIG.7