



US00D863968S

(12) **United States Design Patent** (10) **Patent No.:** **US D863,968 S**
Miloserdova et al. (45) **Date of Patent:** **** Oct. 22, 2019**

- (54) **BOTTLE**
- (71) Applicant: **Zirkova Vodka Company**, New York, NY (US)
- (72) Inventors: **Polina Borysivna Miloserdova**, Kiev (UA); **Mike Kwan**, Toronto (CA)
- (73) Assignee: **Zirkova Vodka Company**, New York, NY (US)
- (**) Term: **15 Years**
- (21) Appl. No.: **29/604,689**
- (22) Filed: **May 19, 2017**
- (51) **LOC (12) Cl.** **09-01**
- (52) **U.S. Cl.**
USPC **D9/546; D9/559; D9/575**
- (58) **Field of Classification Search**
USPC D9/453, 454, 516, 520, 521, 530, 544, D9/546, 559, 560, 563, 564, 572-575, D9/715, 719
CPC . B65D 21/0204; B65D 21/02; B65D 21/0213
See application file for complete search history.

(56) **References Cited**

U.S. PATENT DOCUMENTS

D343,580 S *	1/1994	Reynaud	D9/520
D369,978 S *	5/1996	Mohamed	D9/529
D544,361 S *	6/2007	Cordes	D9/544
D555,483 S *	11/2007	Bezuglov	D9/452
D568,752 S *	5/2008	Varlet	D9/544
D586,659 S *	2/2009	Delbon	D9/544
D655,177 S *	3/2012	Gonzalez Rodriguez	D9/544
D682,704 S *	5/2013	Reynolds	D9/544
D682,705 S *	5/2013	Reynolds	D9/544
D694,640 S *	12/2013	Infahsaeng	D9/559
D694,641 S *	12/2013	Infahsaeng	D9/559
D694,642 S *	12/2013	Infahsaeng	D9/559
D698,257 S *	1/2014	Gonzalez Rodriguez	D9/574

D713,256 S *	9/2014	Perez-Cabrera	D9/546
D719,030 S *	12/2014	Perez-Cabrera	D9/560
D723,372 S *	3/2015	Lecetre	D9/516
D745,409 S *	12/2015	Lecetre	D9/574
D757,559 S *	5/2016	Sanghavi	D9/559
D790,975 S *	7/2017	Allan	D9/542
D810,582 S *	2/2018	Lee	D9/694
D813,041 S *	3/2018	Staab	D9/522
D826,724 S *	8/2018	Staab	D9/574

* cited by examiner

Primary Examiner — Ian Simmons

Assistant Examiner — Keith Frank

(74) *Attorney, Agent, or Firm* — Polsinelli PC

(57) **CLAIM**

The ornamental design for a bottle, as shown and described.

DESCRIPTION

FIG. 1. is a top perspective view of an opaque bottle with the design.

FIG. 2. is a front view of the bottle of FIG. 1, with a rear view being mirror image thereof.

FIG. 3. is a left view of the bottle of FIG. 1, with a right view being mirror image thereof.

FIG. 4. is a view of the bottle of FIG. 1 rotated any of 45°, 135°, 225°, or 315° with respect to the front view of FIG. 2.

FIG. 5. is a top view of the bottle of FIG. 1.

FIG. 6. is a top perspective view of a translucent or transparent bottle with the design.

FIG. 7. is a front view of the bottle of FIG. 6, with a rear view being mirror image thereof.

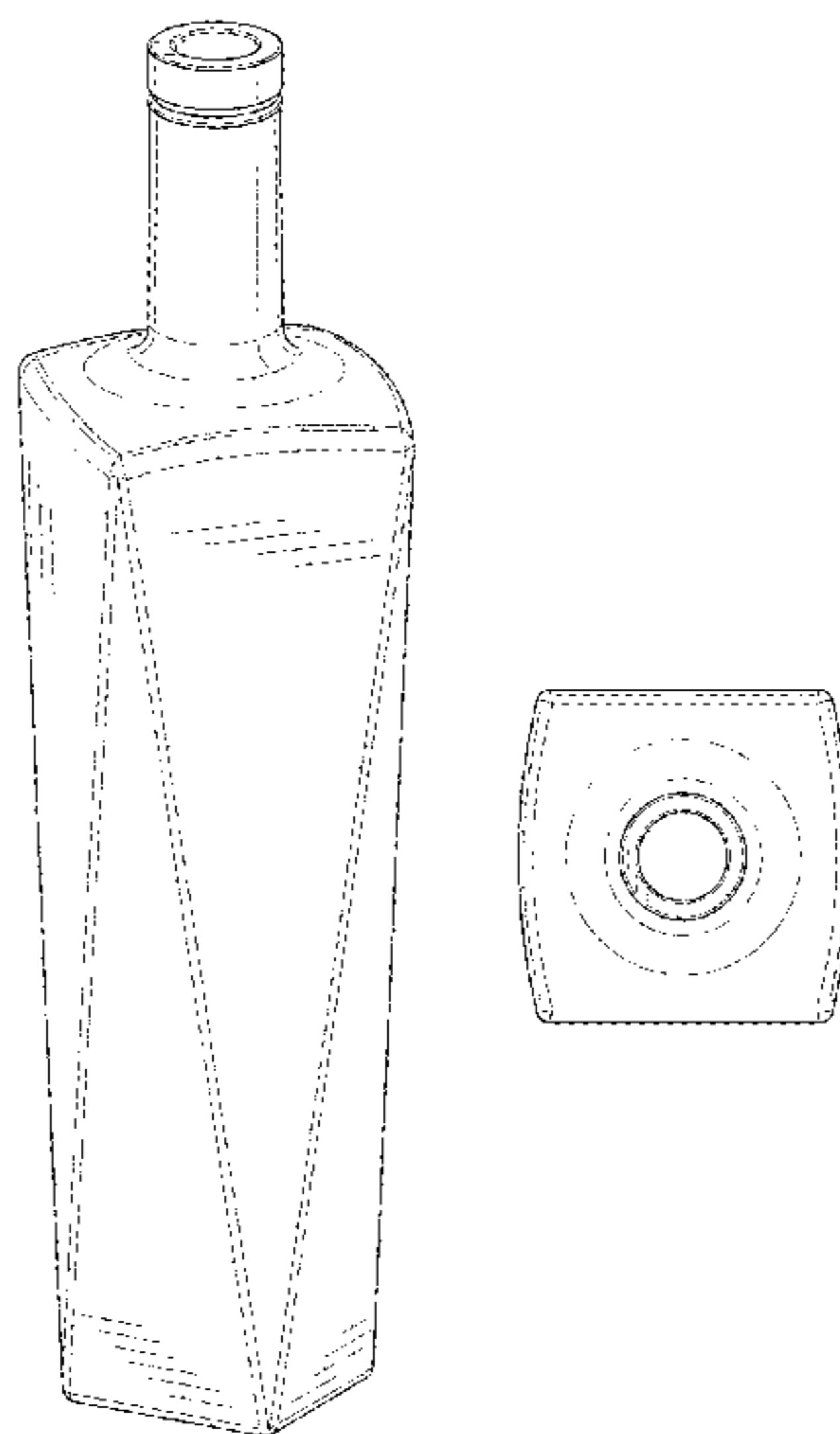
FIG. 8. is a left view of the bottle of FIG. 6, with a right view being mirror image thereof.

FIG. 9. is a view of the bottle of FIG. 6 rotated any of 45°, 135°, 225°, or 315° with respect to the front view of FIG. 7;

and,

FIG. 10. is a top view of the bottle of FIG. 6.

1 Claim, 6 Drawing Sheets



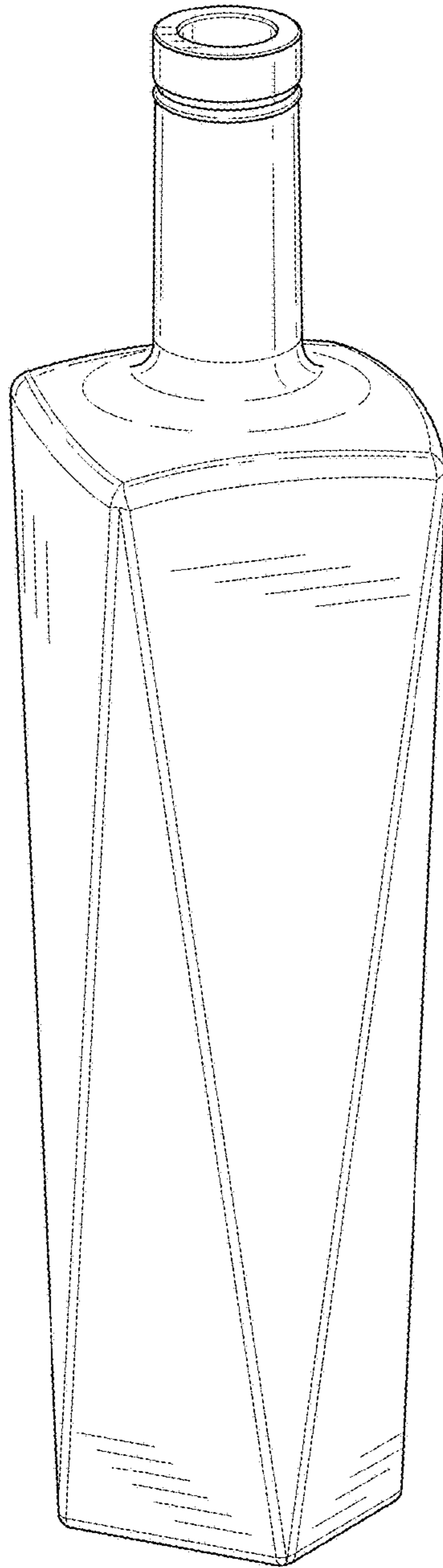


FIG. 1

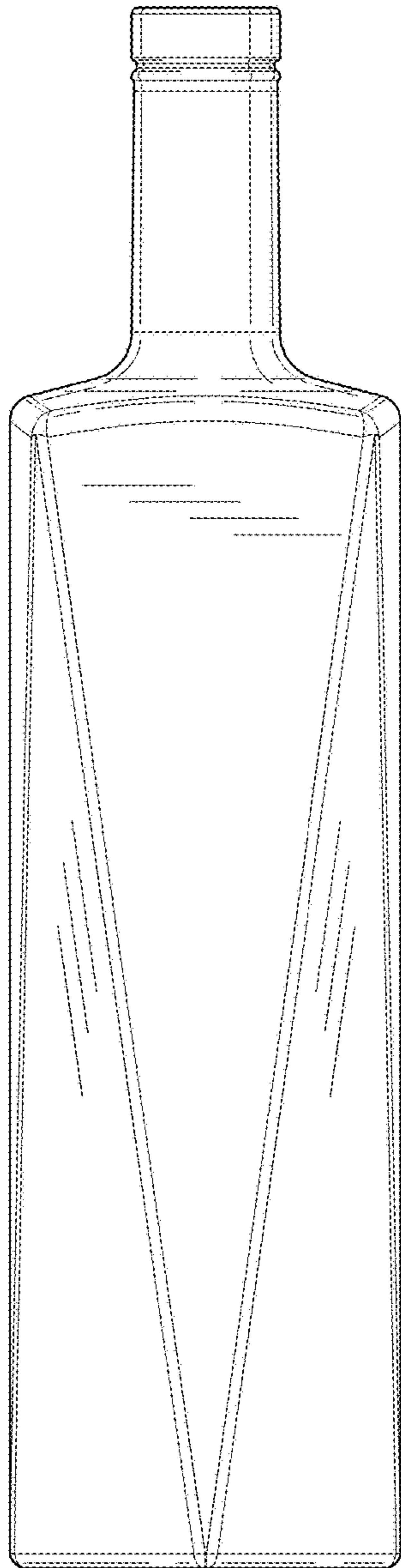


FIG. 2

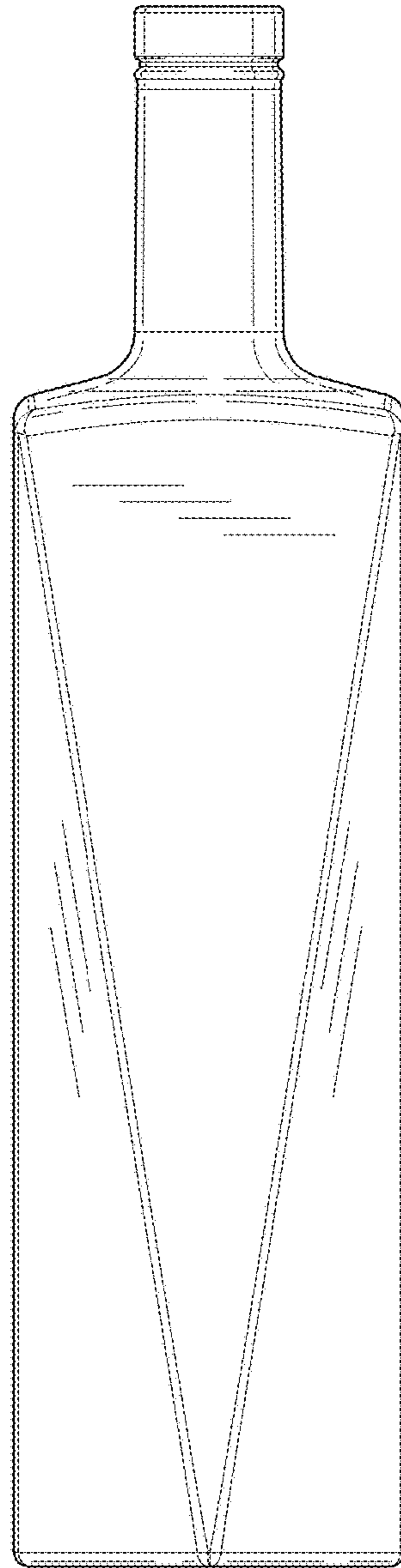


FIG. 3

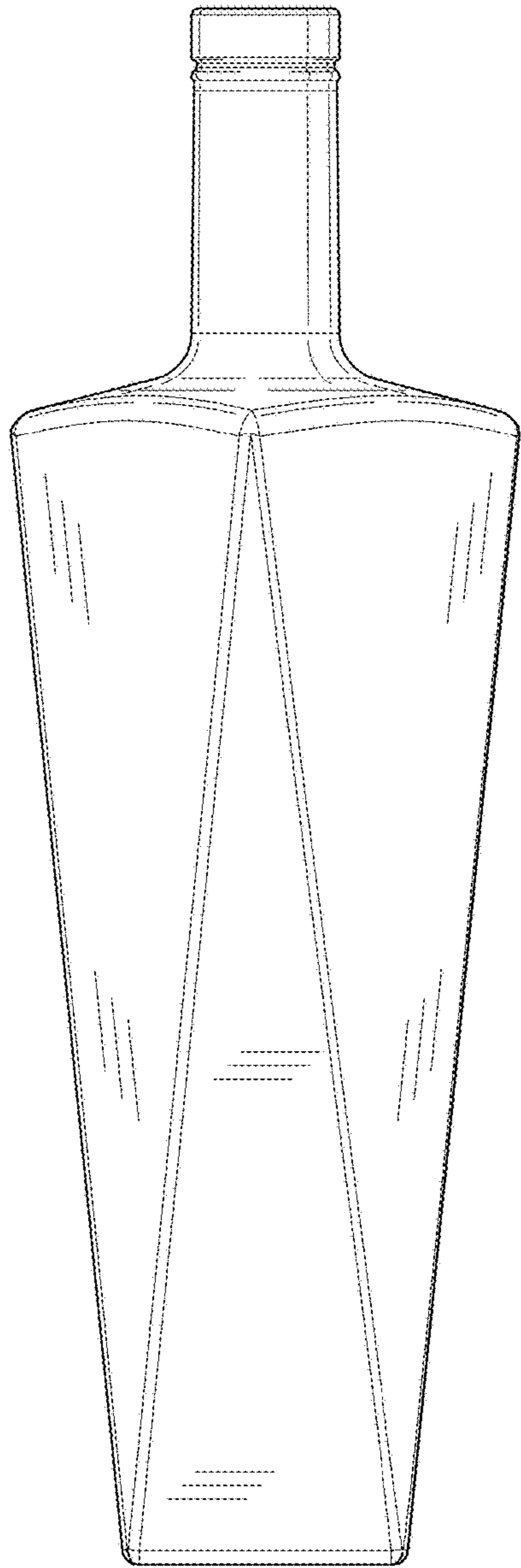


FIG. 4

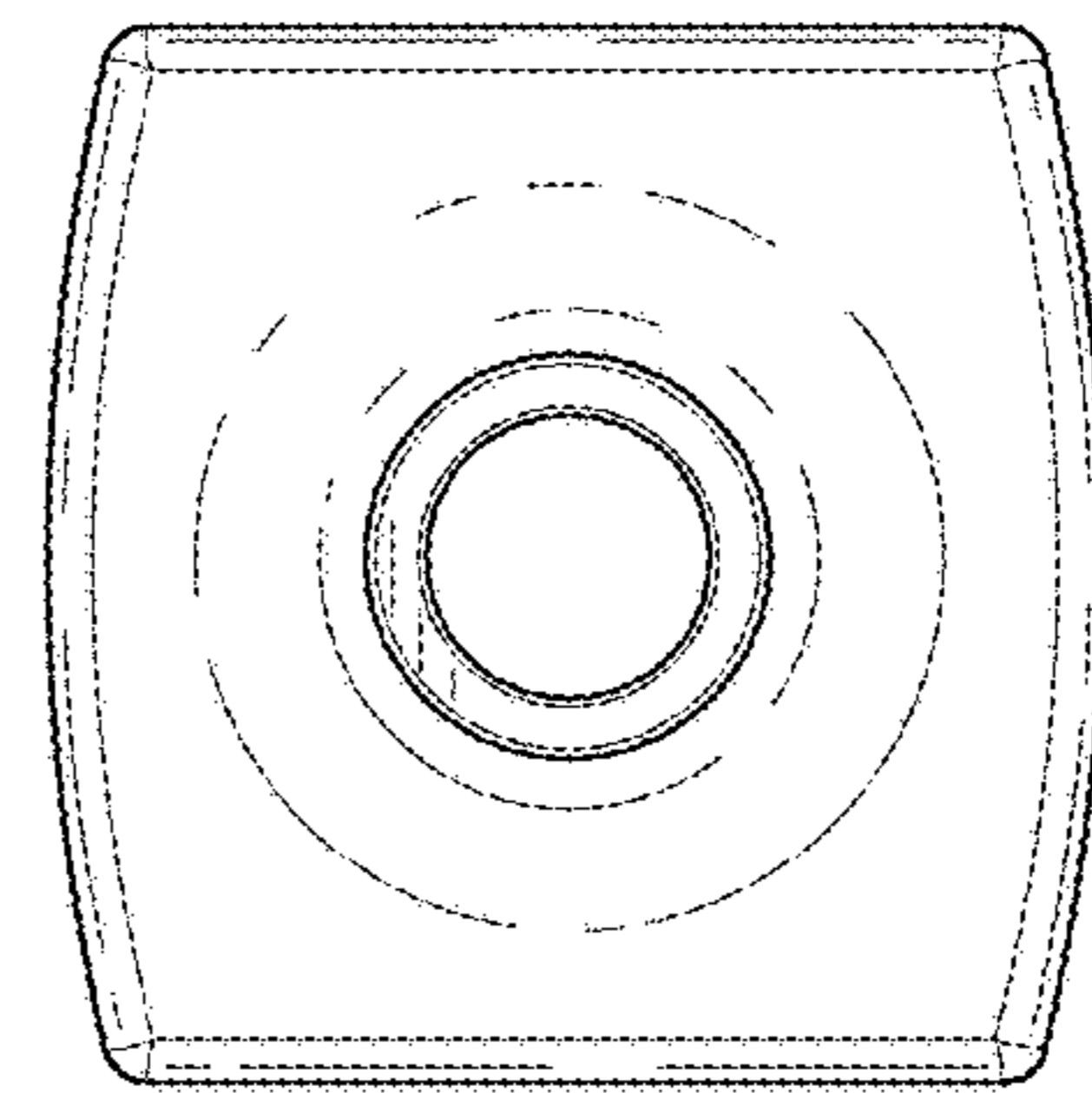


FIG. 5

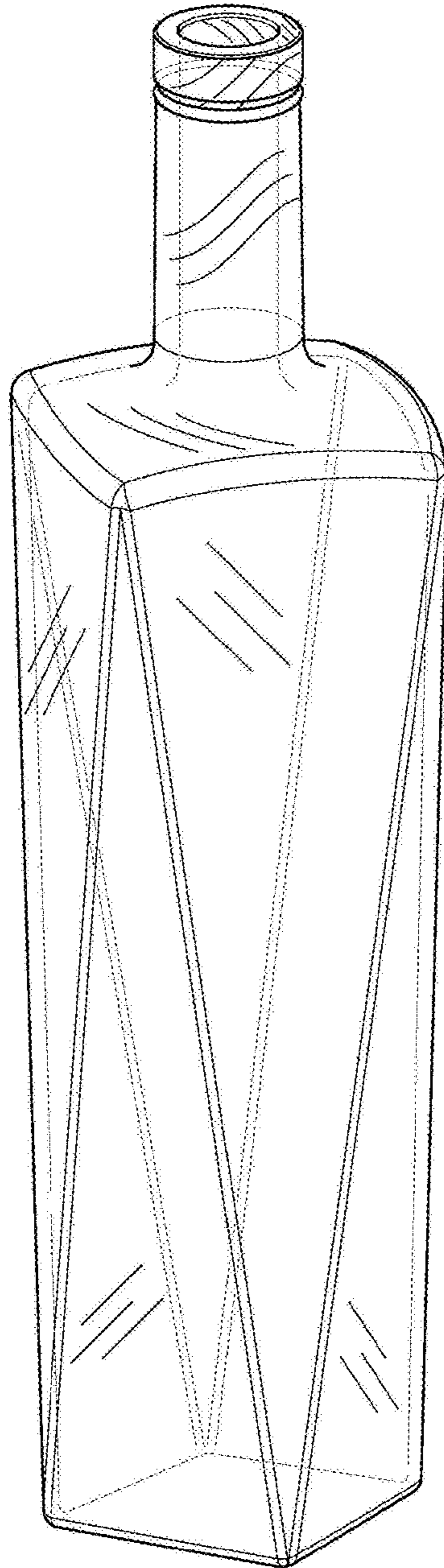


FIG. 6

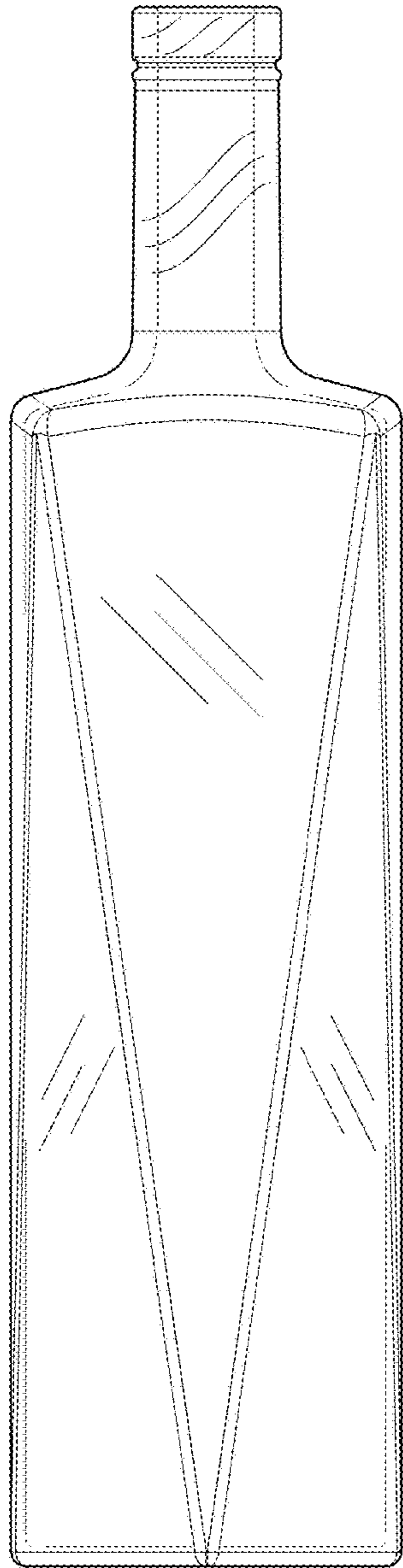


FIG. 7

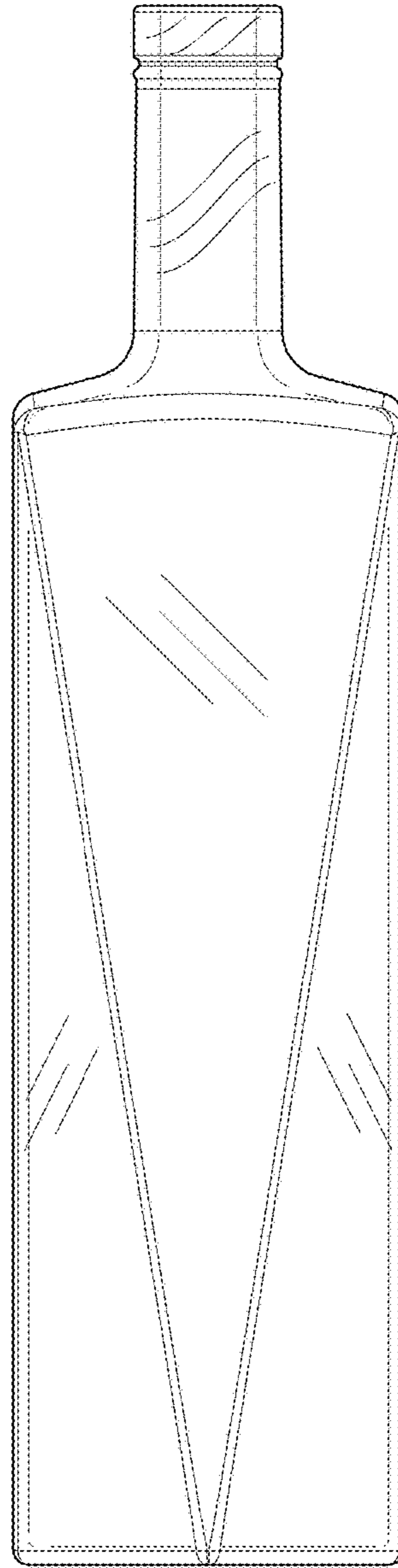


FIG. 8

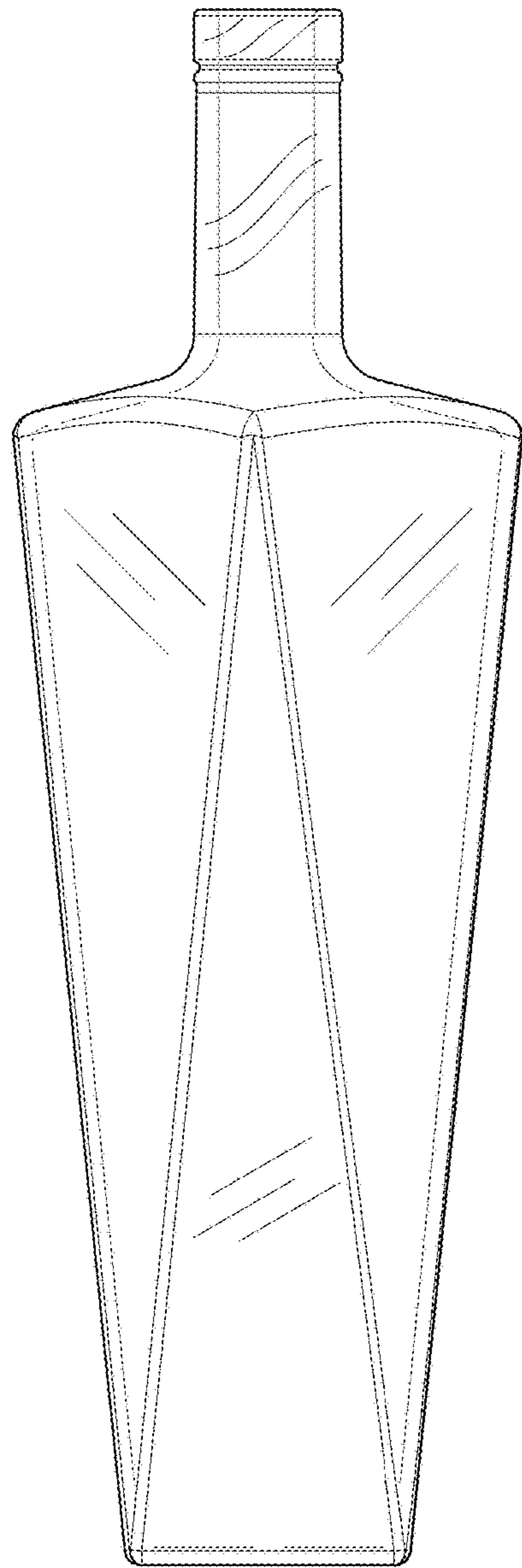


FIG. 9

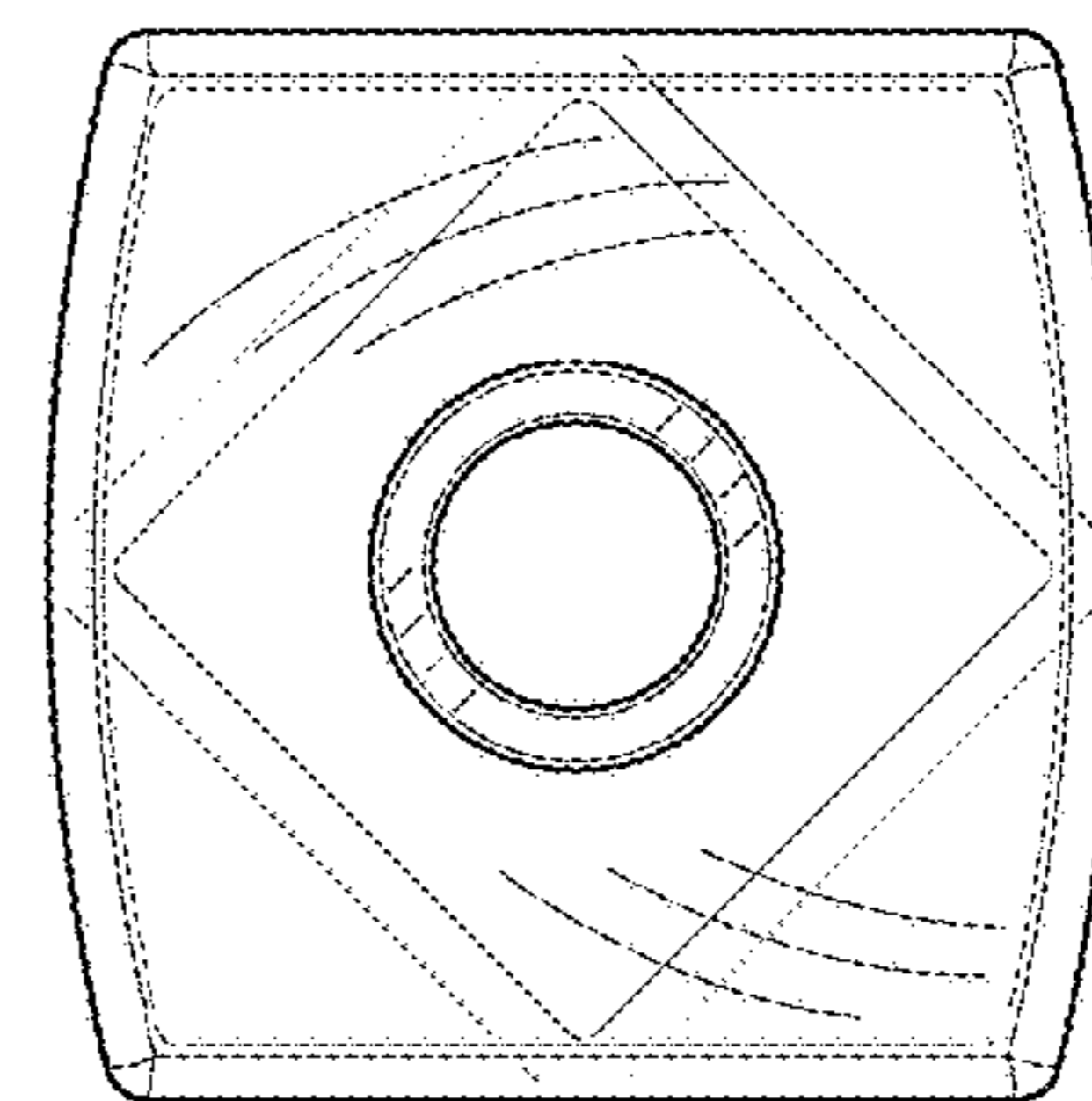


FIG. 10