



US00D863965S

(12) **United States Design Patent**
Lee et al.

(10) **Patent No.:** **US D863,965 S**
(45) **Date of Patent:** **** Oct. 22, 2019**

(54) **SHIPPING BOX INSERT**

(71) Applicant: **United States Postal Service**,
Washington, DC (US)
(72) Inventors: **Jim E. Lee**, Washington, DC (US);
Robert E. Dixon, Jr., Washington, DC
(US); **Jon Goodrich**, Washington, DC
(US)
(73) Assignee: **United States Postal Service**,
Washington, DC (US)

(**) Term: **15 Years**
(21) Appl. No.: **29/589,758**
(22) Filed: **Jan. 4, 2017**

(51) **LOC (12) Cl.** **09-07**
(52) **U.S. Cl.**
USPC **D9/456**

(58) **Field of Classification Search**
USPC D3/272, 273, 302, 304, 310, 313, 315,
D3/319, 901; D6/512, 515-525, 536,
D6/539, 675, 676, 675.4, 676.4, 677,
D6/677.4; D7/323, 354, 391, 392, 392.1,
D7/503, 552.1, 553.2, 554.1, 586, 600.1,
D7/614, 701, 704; D9/414, 418,
D9/420-427, 430-435, 455, 456, 517,
D9/737, 739, 740, 741, 744, 745, 748,
D9/749, 756, 757, 758, 759, 791, 762;
D24/121, 123, 122, 216, 224, 227;
D27/183, 186, 188; D28/8, 76, 78, 82,
D28/83
CPC B65D 1/243; B65D 1/36; B65D 1/225;
B65D 1/24; B65D 1/34; B65D 1/38;
B65D 2501/24019; B65D 2501/24108;
B65D

(Continued)

(56) **References Cited**

U.S. PATENT DOCUMENTS

1,592,374 A 7/1926 Lytle
3,347,357 A * 10/1967 De Soto B65D 5/52
229/112

(Continued)

OTHER PUBLICATIONS

Aliexpress, [online], [site visited Jan. 17, 2018], Available from
Internet, URL: <https://www.aliexpress.com/item/In-Stock-small-21x13x3-5cm-packaging-boxes-aircraft-clothing-cardboard-box-Customized-printing-logo-packaging-box/1835843363.html>.

(Continued)

Primary Examiner — Jennifer Rivard
Assistant Examiner — Catherine S Posthauer
(74) *Attorney, Agent, or Firm* — Knobbe Martens Olson
& Bear LLP

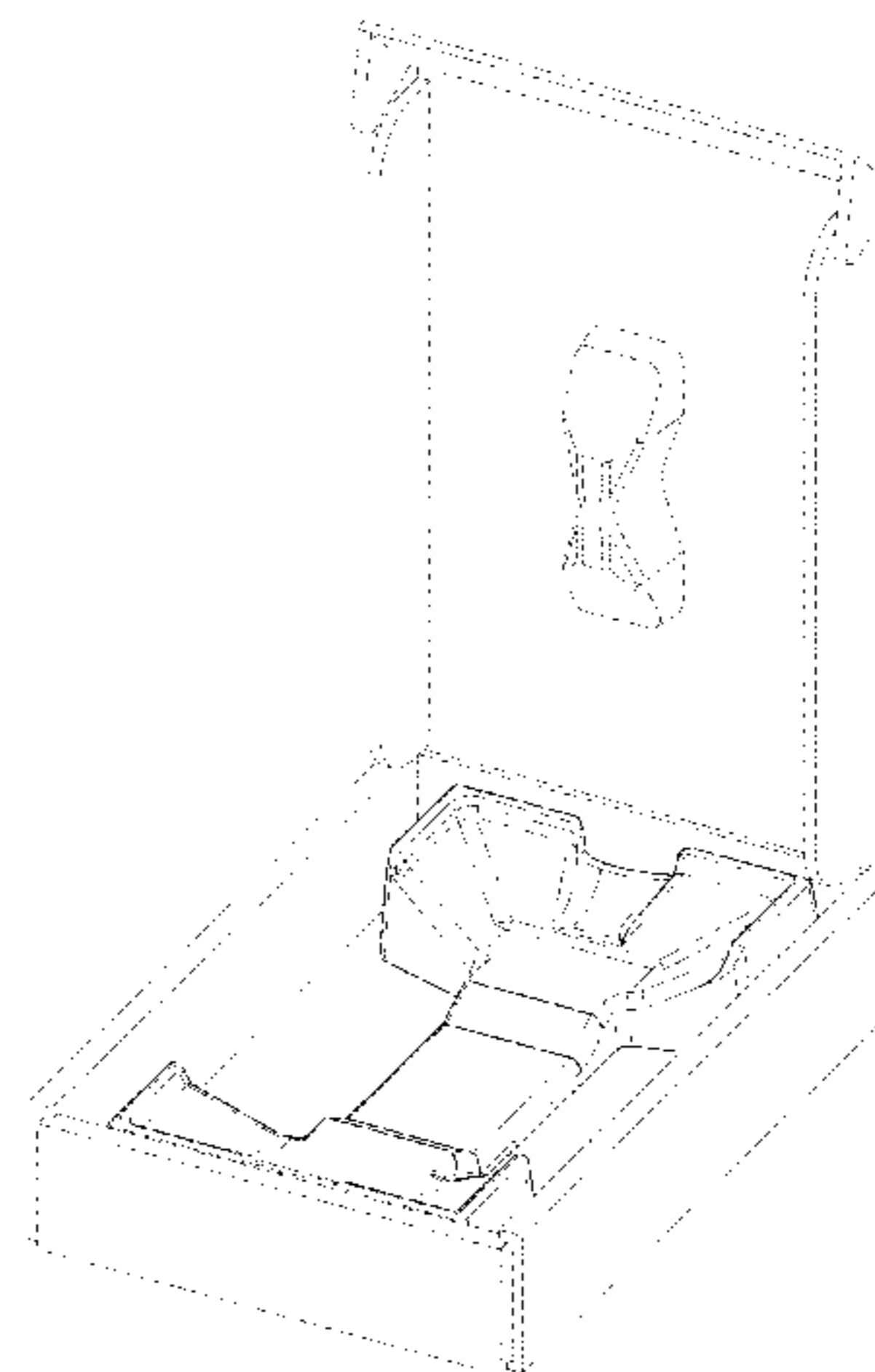
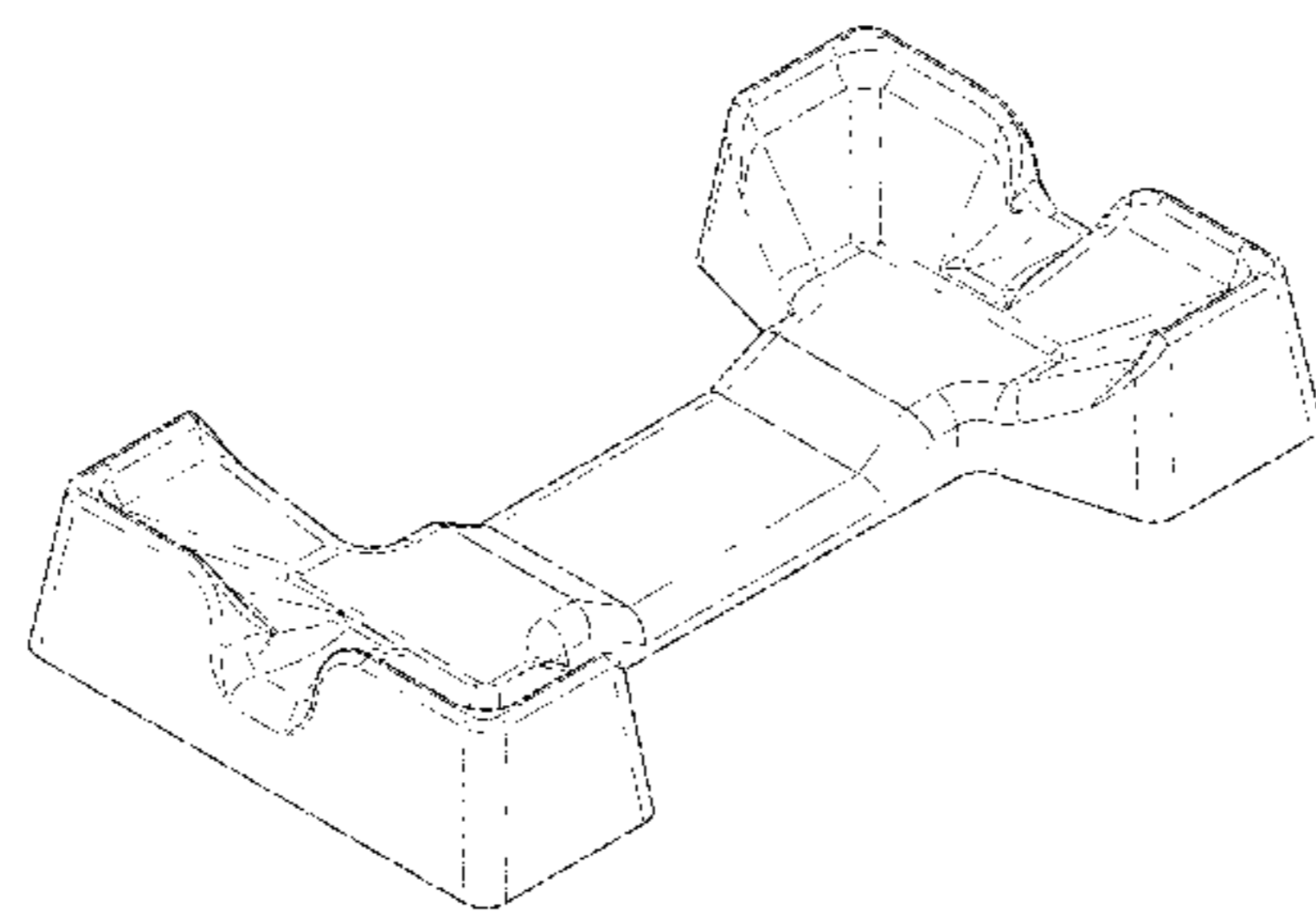
(57) **CLAIM**

The ornamental design for a shipping box insert, as shown
and described.

DESCRIPTION

FIG. 1 is a top perspective view of a shipping box insert
showing our new design.
FIG. 2 is a front view of the shipping box insert of FIG. 1.
FIG. 3 is a rear view of the shipping box insert of FIG. 1.
FIG. 4 is a left side view of the shipping box insert of FIG.
1.
FIG. 5 is a right side view of the shipping box insert of FIG.
1.
FIG. 6 is a top view of the shipping box insert of FIG. 1.
FIG. 7 is a bottom view of the shipping box insert of FIG.
1; and,
FIG. 8 is a perspective view of the shipping box insert of
FIG. 1 shown in a position of use with another exemplary
shipping box insert and a shipping box.
The broken lines are shown for the purpose of illustrating
environmental subject matter of an exemplary shipping box
and exemplary shipping box insert and form no part of the
claim.

1 Claim, 6 Drawing Sheets



(58) **Field of Classification Search**

CPC 2501/24254; B65D 2501/2435; B65D
2501/24764; B65D 2501/24834; B65D
21/036; B65D 21/022; B65D 21/0233;
B65D 25/24; B65D 25/2826; B65D
43/022; B65D 75/24; B65D 75/323;
B65D 75/327; B65D 81/025; B65D 5/00;
B65D 5/001; B65D 5/0015; B65D
5/0254; B65D 5/0045; B65D 5/18; B65D
75/22; B65D 75/366; B65D 43/162;
A45D 27/29; A47F 1/126

See application file for complete search history.

(56) **References Cited**

U.S. PATENT DOCUMENTS

D244,833 S 6/1977 Persson
4,512,474 A * 4/1985 Harding B65D 75/225
206/461
D319,785 S 9/1991 Kilmartin, III
D328,971 S 9/1992 Fujita et al.
D333,237 S * 2/1993 Plaut D7/549
D370,844 S * 6/1996 Shurtleff D9/749
5,540,324 A * 7/1996 Knapp A45C 11/16
206/348
D396,004 S 7/1998 Srinual
D399,421 S * 10/1998 Gray D9/749
5,823,339 A * 10/1998 Dunham B65D 5/5009
206/349
D406,755 S * 3/1999 Garganese D9/415
D415,419 S 10/1999 Abiteboul
D417,391 S * 12/1999 Szczepanski D9/423
D454,493 S * 3/2002 Chung D3/263
D455,957 S 4/2002 Sisinni
D457,352 S * 5/2002 Hansen D7/701
D494,862 S 8/2004 Sisinni
D515,423 S * 2/2006 Chu D9/456
D576,788 S 9/2008 Ludden-Biegel

7,441,655 B1 * 10/2008 Hoftman A61B 50/20
206/370
D589,798 S 4/2009 Liipola
D606,394 S 12/2009 Stewart
D607,317 S 1/2010 Collins
D615,396 S * 5/2010 Changpan D9/425
D631,337 S * 1/2011 Prevost D9/421
D669,352 S 10/2012 Paslawski
D690,587 S 10/2013 DeLisle
D698,644 S * 2/2014 Teopas D24/227
D702,118 S * 4/2014 Gianoli D9/424
D711,601 S 8/2014 Robbins
D730,728 S 6/2015 Fath
D737,688 S 9/2015 Stone
D740,654 S * 10/2015 Boehnen D9/418
D748,498 S * 2/2016 Pipes D9/424
D751,401 S * 3/2016 Kuo D9/432
D754,408 S 4/2016 Garrett et al.
D756,223 S * 5/2016 Pipes D9/456
D763,683 S 8/2016 O'Neill
D764,282 S 8/2016 Stepanov
D767,989 S 10/2016 Nietert et al.
D798,708 S * 10/2017 Chambers D9/432
D815,519 S * 4/2018 Geheran D9/423
D816,501 S * 5/2018 Oldham D9/456
2005/0274635 A1 12/2005 Hopper
2010/0308038 A1 * 12/2010 Davidson B65D 81/025
220/4.21
2011/0226766 A1 * 9/2011 Baker B65D 1/36
220/23.88
2015/0114855 A1 * 4/2015 Glick A61F 2/1691
206/204

OTHER PUBLICATIONS

Tineye, announced Feb. 21, 2013, [online], [site visited Jan. 17, 2018], Available from internet, URL: http://tineye.com/search/cfd0cb40be47076e216a97d7e12f18e9e15079a/?extension_ver=chrome-1.2.0.

* cited by examiner

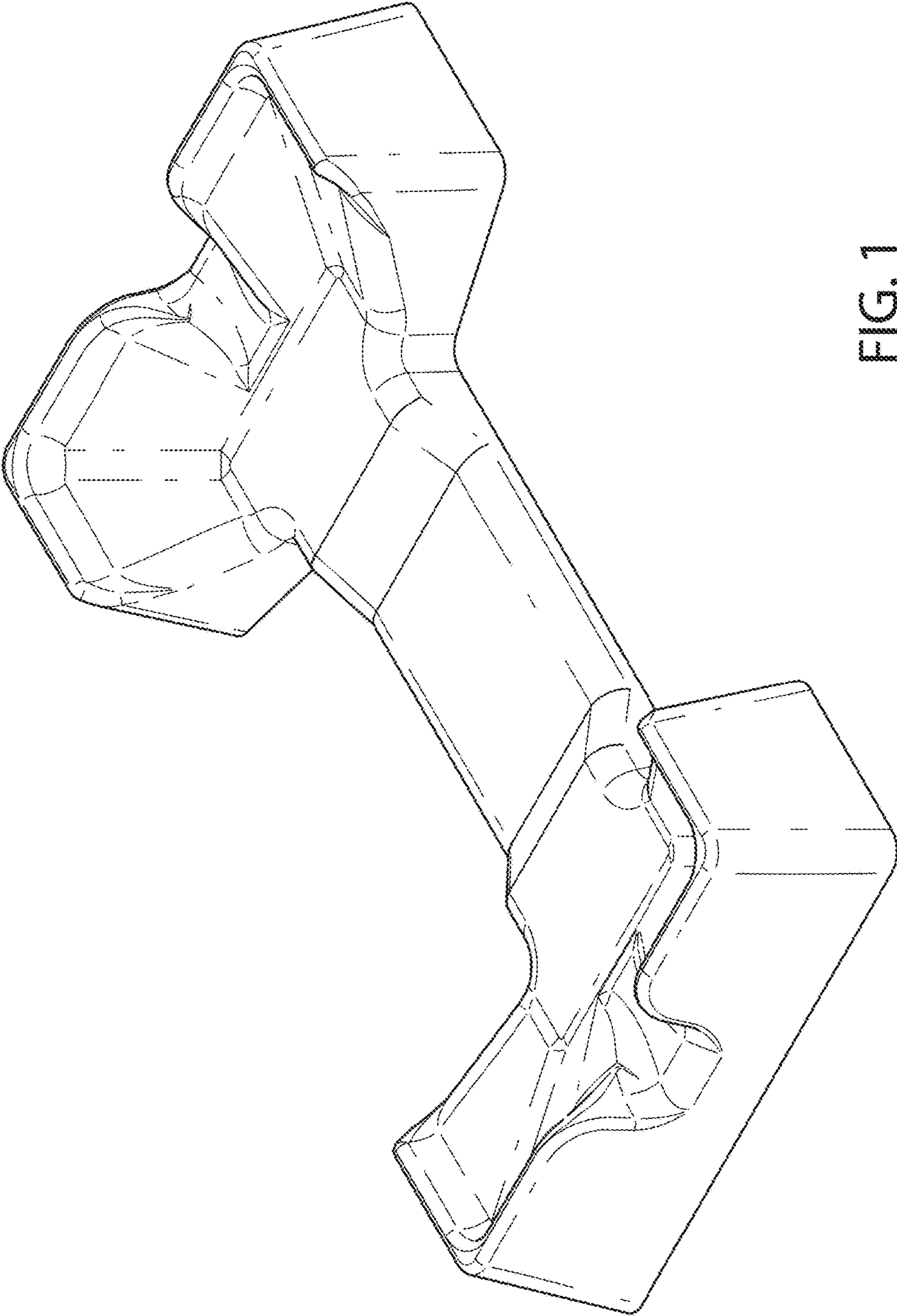


FIG. 1

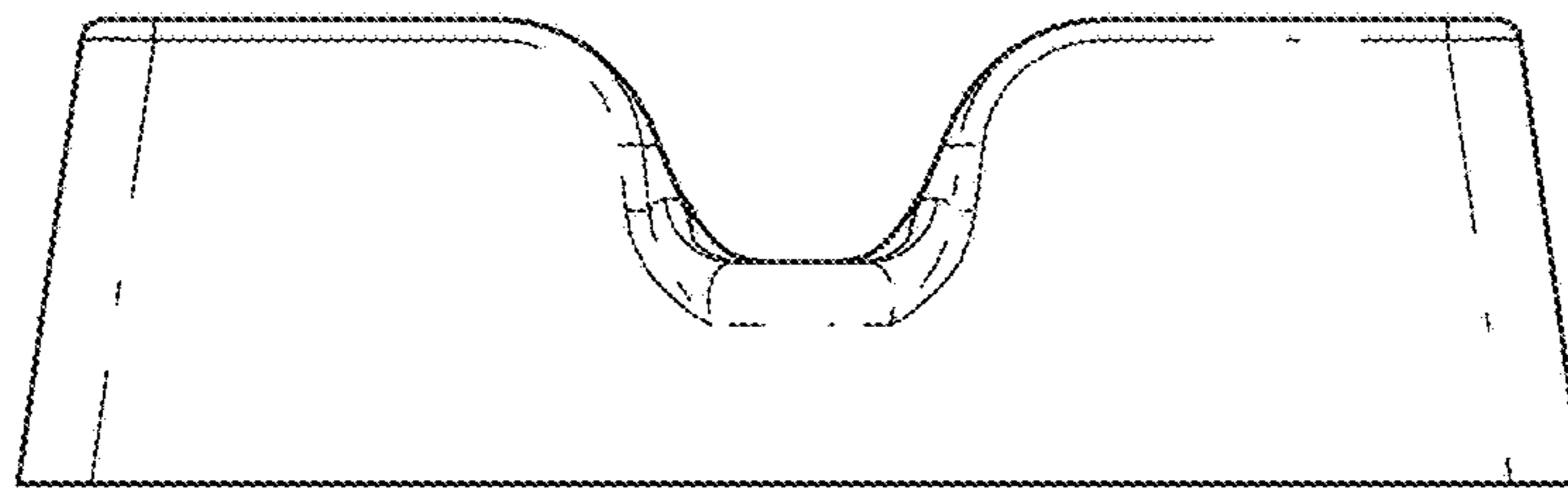


FIG. 2

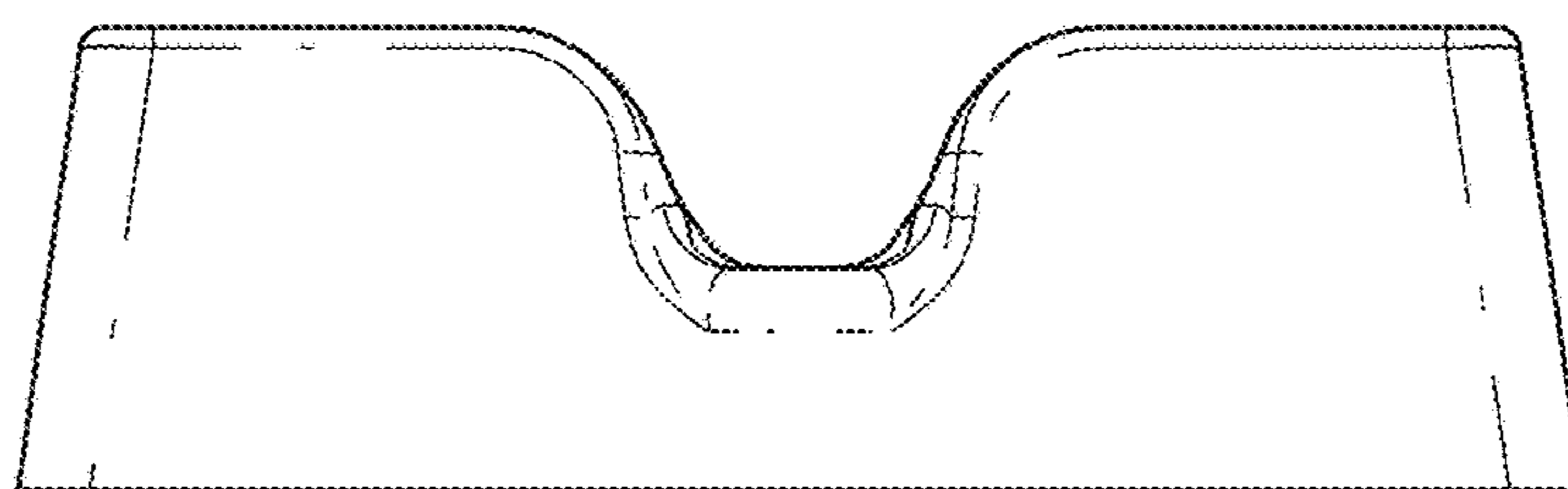


FIG. 3

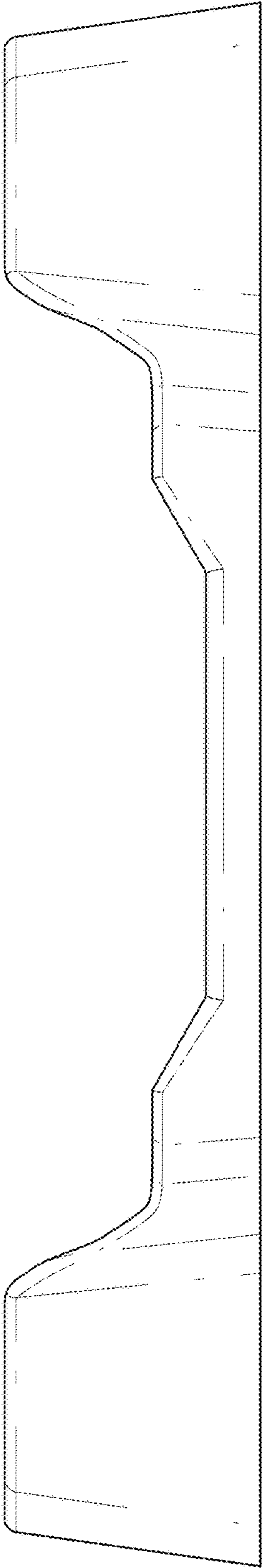


FIG. 4

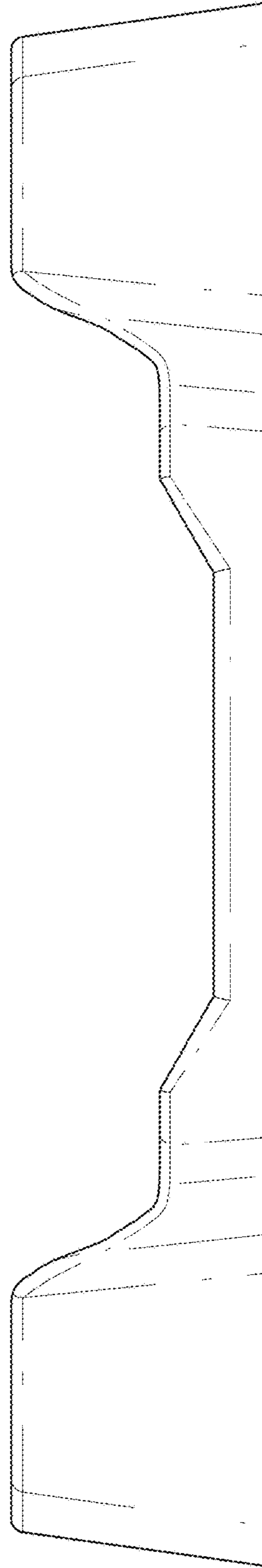


FIG. 5

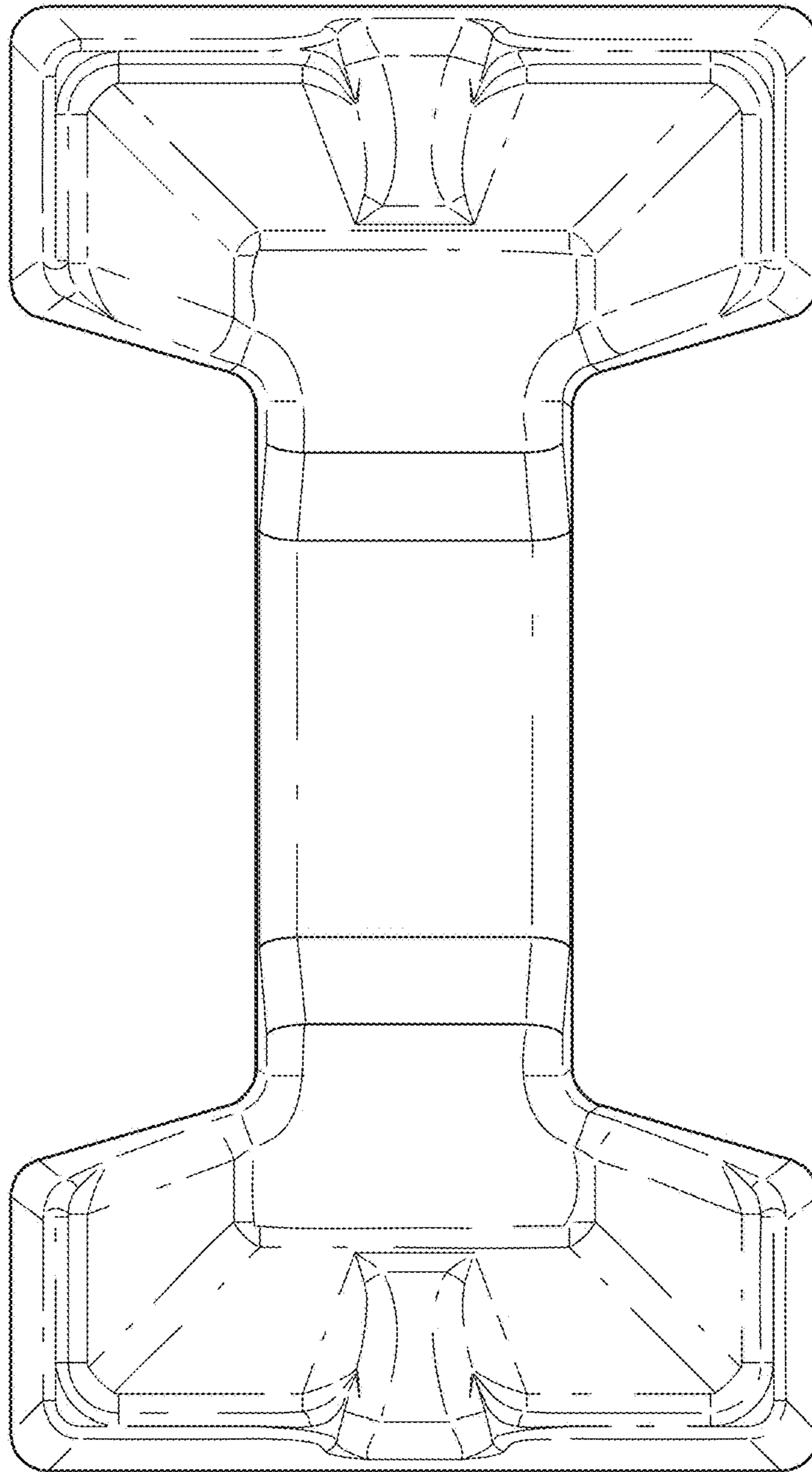


FIG. 6

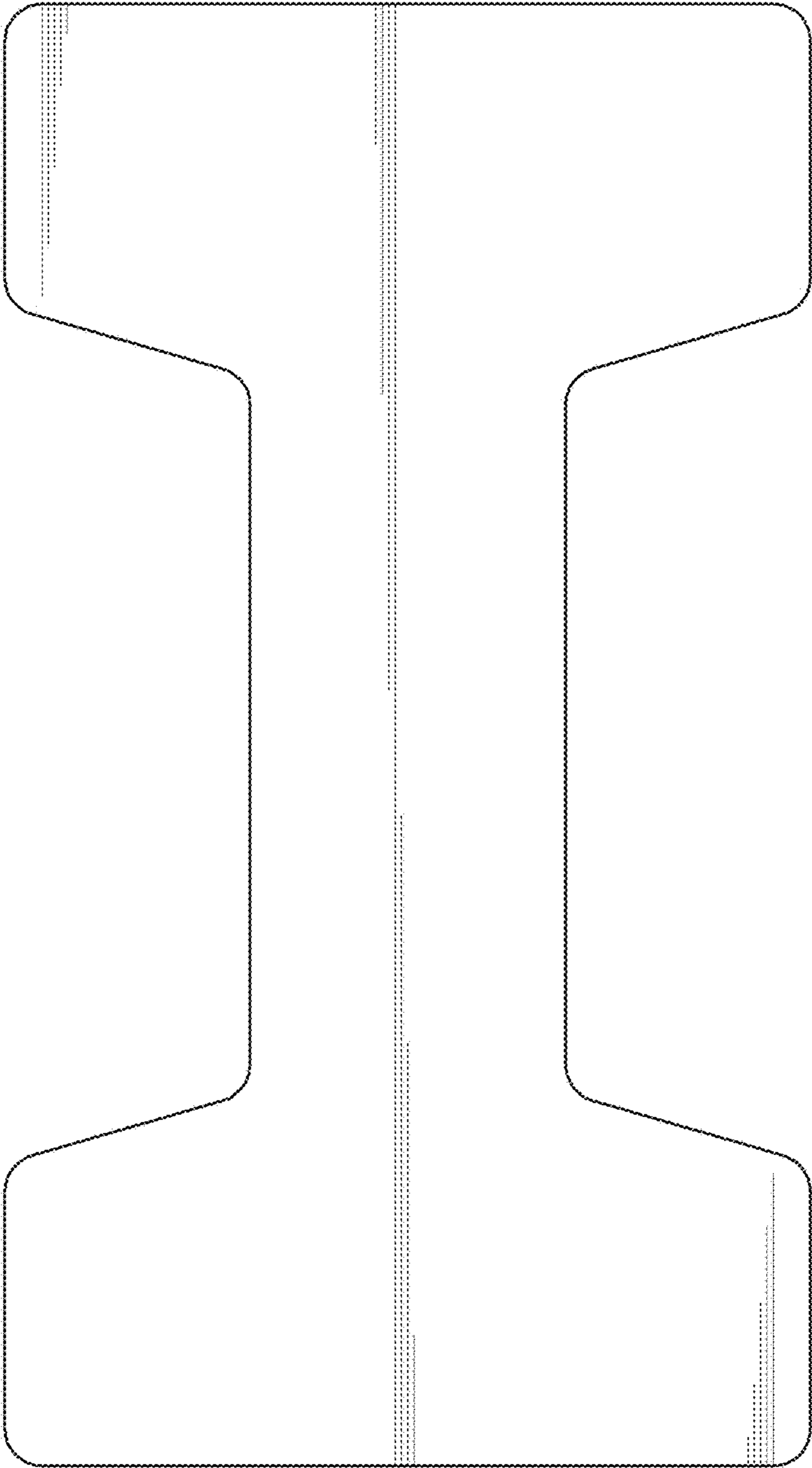


FIG. 7

FIG. 8

