



US00D863964S

(12) **United States Design Patent**
Greenwood

(10) **Patent No.:** **US D863,964 S**

(45) **Date of Patent:** **** Oct. 22, 2019**

(54) **BOTTLE DOCK**

B65B 11/045; G04D 1/0021; G04D
1/0071; G04D 1/066; A47F 7/281; E05F
5/06; E04F 19/02

(71) Applicant: **YouCopia Products Inc**, Chicago, IL
(US)

See application file for complete search history.

(72) Inventor: **Mark Greenwood**, Arlington Hts., IL
(US)

(56) **References Cited**

(73) Assignee: **YOUCOPIA PRODUCTS INC.**,
Chicago, IL (US)

U.S. PATENT DOCUMENTS

(**) Term: **15 Years**

D123,909 S * 12/1940 Luby D5/54
D242,685 S * 12/1976 Skidell D7/706
4,093,076 A * 6/1978 Newton A47B 73/006
211/189
5,720,390 A * 2/1998 Bostelman B65D 5/5038
206/434

(21) Appl. No.: **29/623,305**

(Continued)

(22) Filed: **Oct. 24, 2017**

OTHER PUBLICATIONS

(51) **LOC (12) Cl.** **09-07**

YouCopia Bottle Stand Organizer: Announced Jul. 26, 2018 [online].
Site Visited [Mar. 28, 2019]. Available from Internet URL: https://youcopia.com/collections/all-products/products/bottlestand-travel-mug-and-water-bottle-organizer.*

(52) **U.S. Cl.**

USPC **D9/455**; D7/701

(58) **Field of Classification Search**

USPC D3/304, 318, 319; D6/672, 675, 675.2,
D6/682.3, 683; D7/387, 388, 391, 392.1,
D7/396.1, 396.6, 403, 409, 511, 550.1,
D7/553.1, 553.2, 566, 568, 601, 602, 614,
D7/615, 629, 701, 703, 707, 708, 704;
D9/414, 416, 424, 425, 426, 427, 428,
D9/430, 432, 433, 434, 435, 436, 456,
D9/601, 602, 701, 703, 707, 708, 715,
D9/721, 732, 736, 756, 761, 455;
D24/121, 123, 124, 227, 228; D20/43,
D20/44

Primary Examiner — Jennifer Rivard
Assistant Examiner — Catherine S Posthauer
(74) *Attorney, Agent, or Firm* — Lowe Graham Jones
PLLC

CPC B32B 3/12; B65D 81/02; B65D 81/054;
B65D 81/055; B65D 81/2023; B65D
81/05; B65D 85/34; B65D 85/36; B65D
85/40; B65D 85/46; B65D 5/04; B65D
5/105; B65D 5/5035; B65D 5/0004;
B65D 5/4212; B65D 5/503; B65D 65/42;
B65D 65/461; B65D 43/16; B65D 43/18;
B65D 75/5855; B65D 71/70; B65D 1/36;
B65D 21/0212; B65D 21/0224; B65D
71/04; A47G 19/30; E04B 2001/7691;
A47J 37/10; B65B 11/52; B65B 31/028;

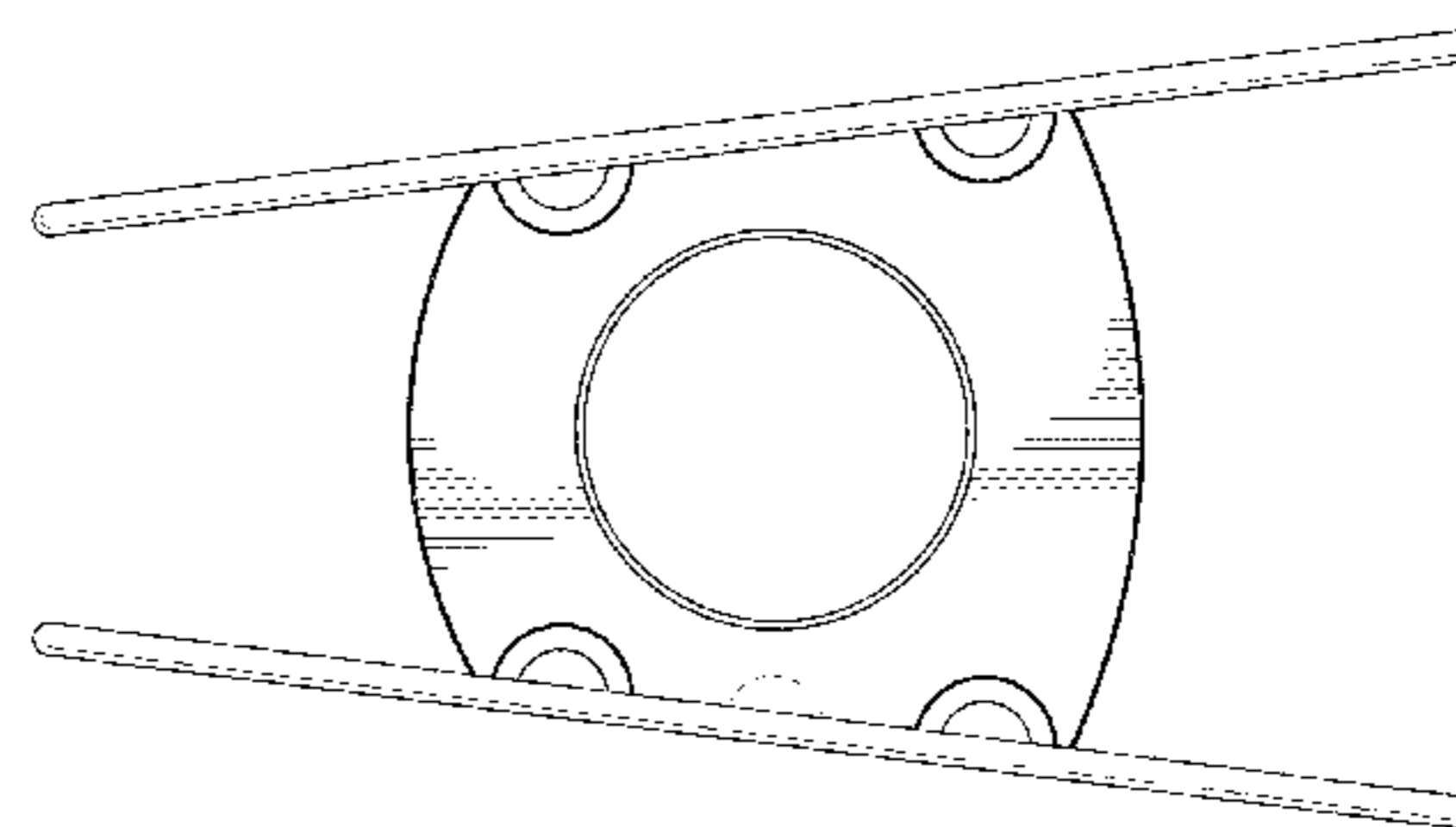
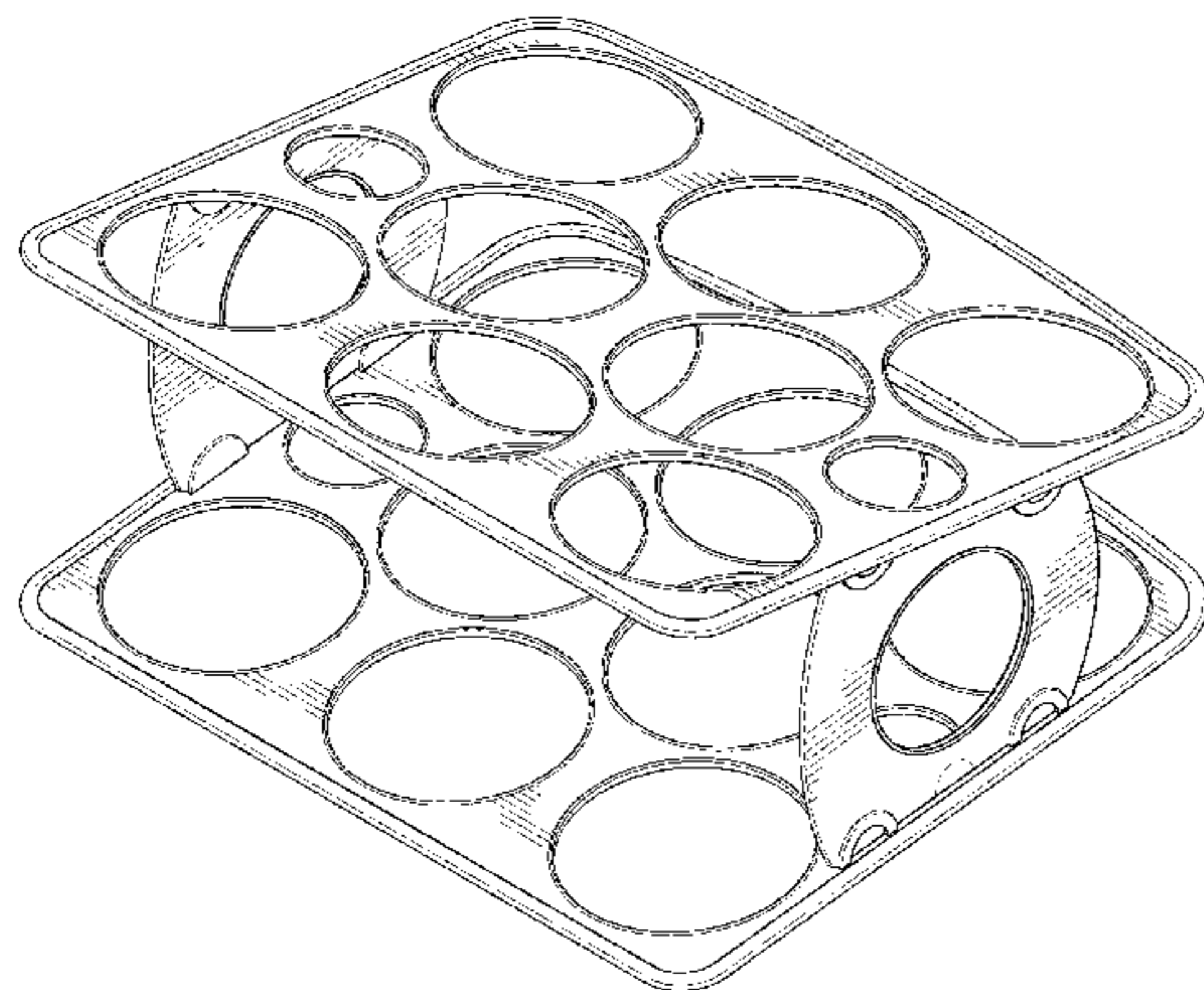
(57) **CLAIM**

I claim the ornamental design for a bottle dock, as shown
and described.

DESCRIPTION

FIG. 1 is a top perspective view of a bottle dock, showing
my new design.
FIG. 2 is a front view of the bottle dock.
FIG. 3 is a rear view of the bottle dock.
FIG. 4 is a left side view of the bottle dock.
FIG. 5 is a right side view of the bottle dock.
FIG. 6 is a top view of the bottle dock; and,
FIG. 7 is a bottom view of the bottle dock.

(Continued)



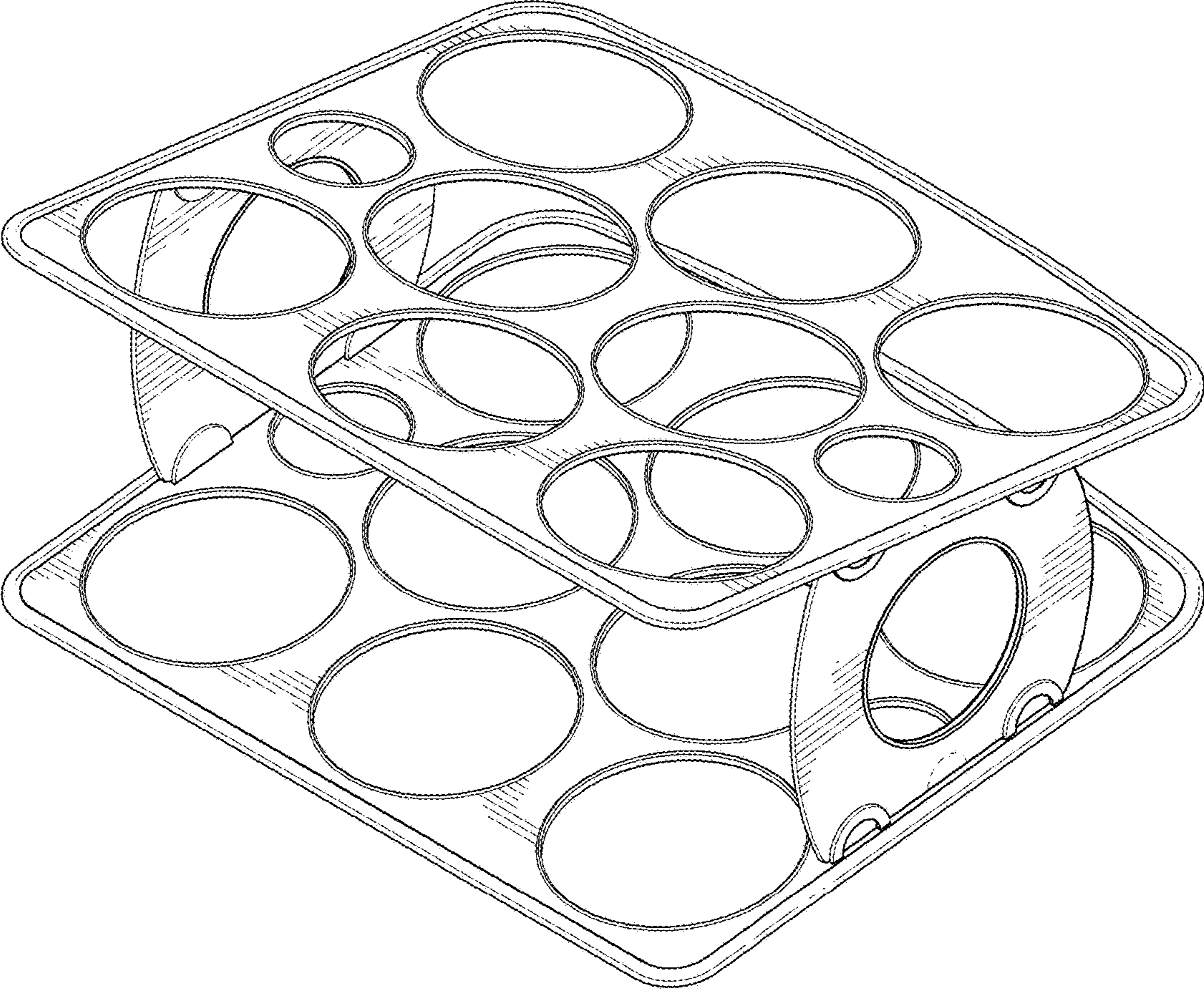


FIG. 1

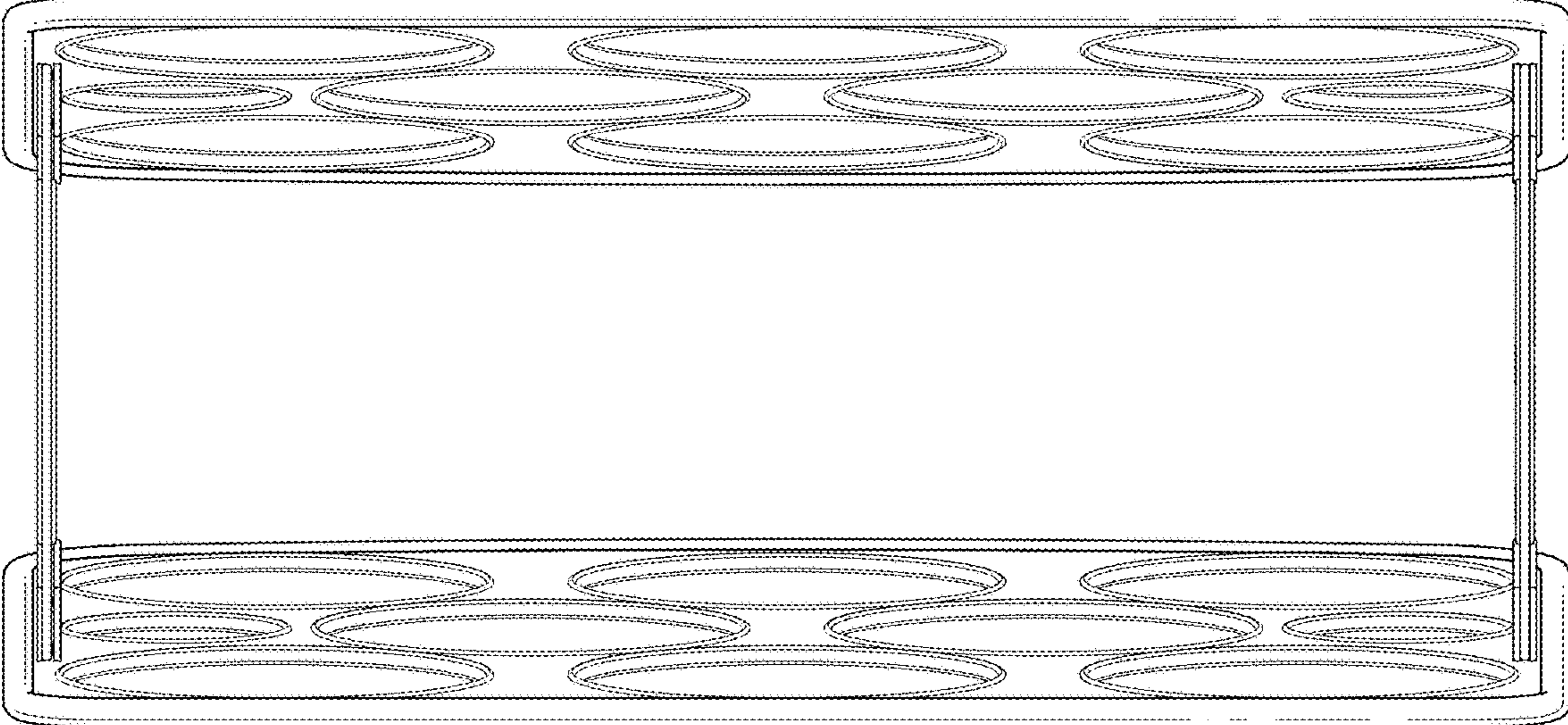


FIG.2

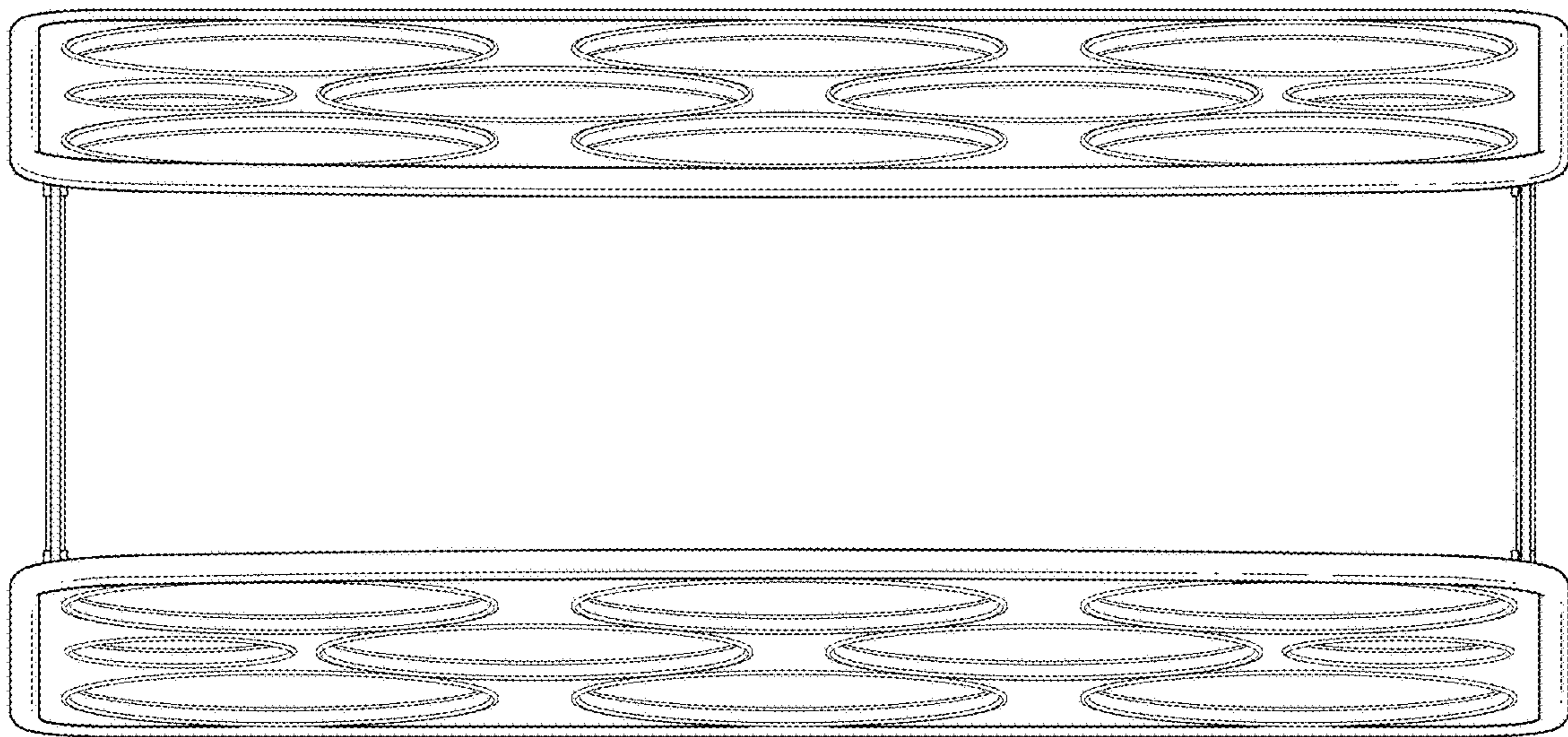


FIG.3

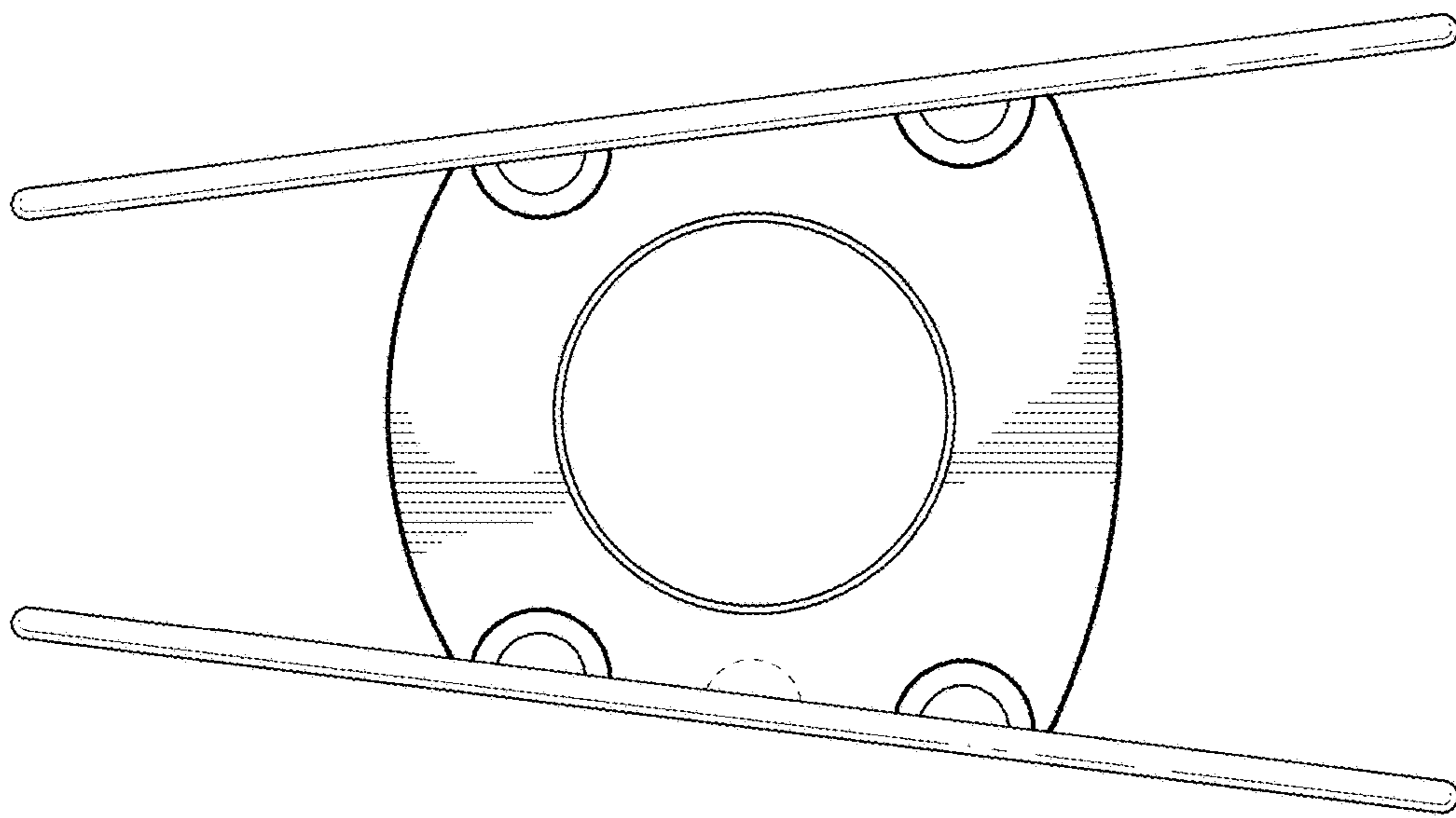


FIG.4

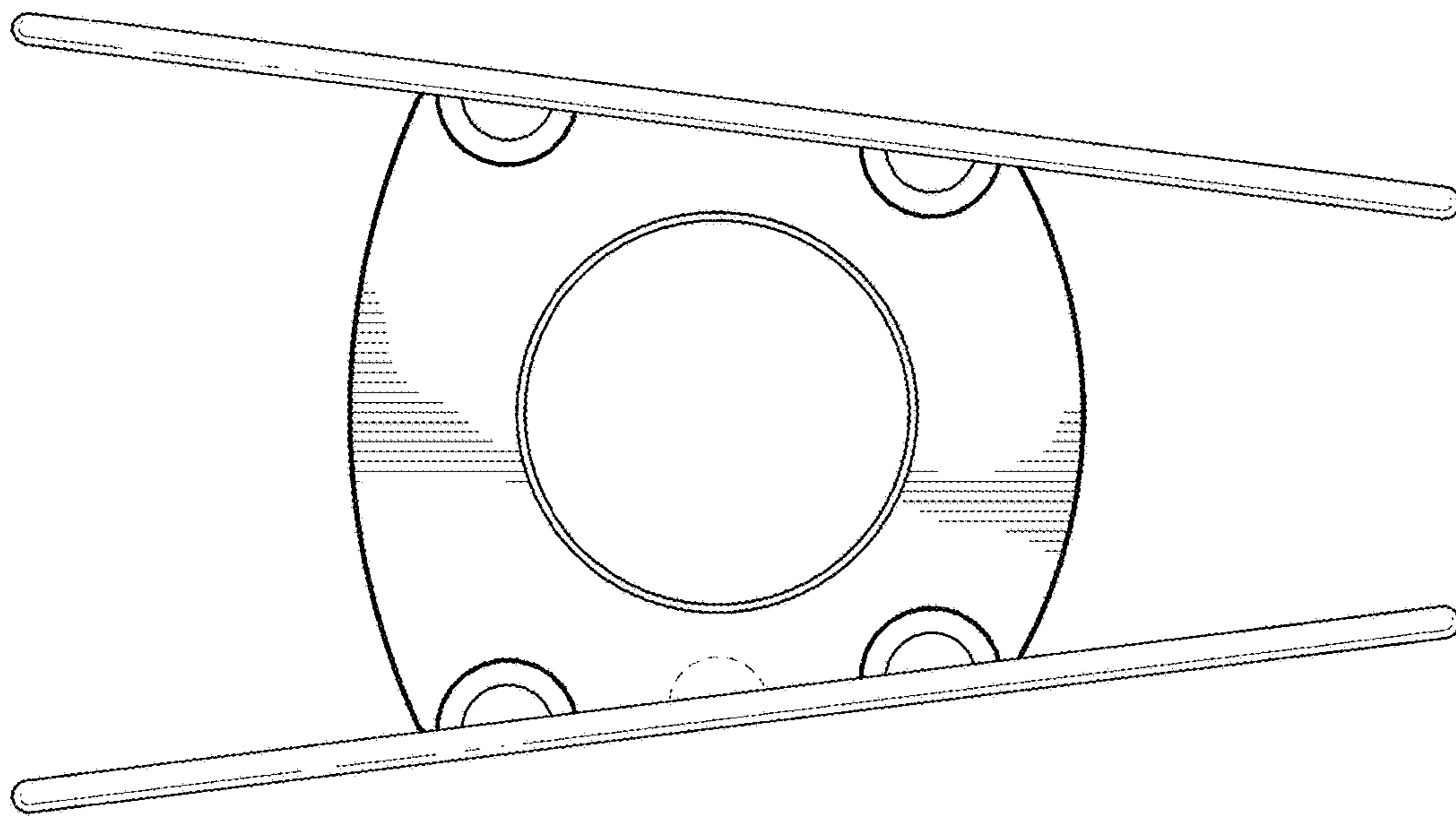


FIG.5

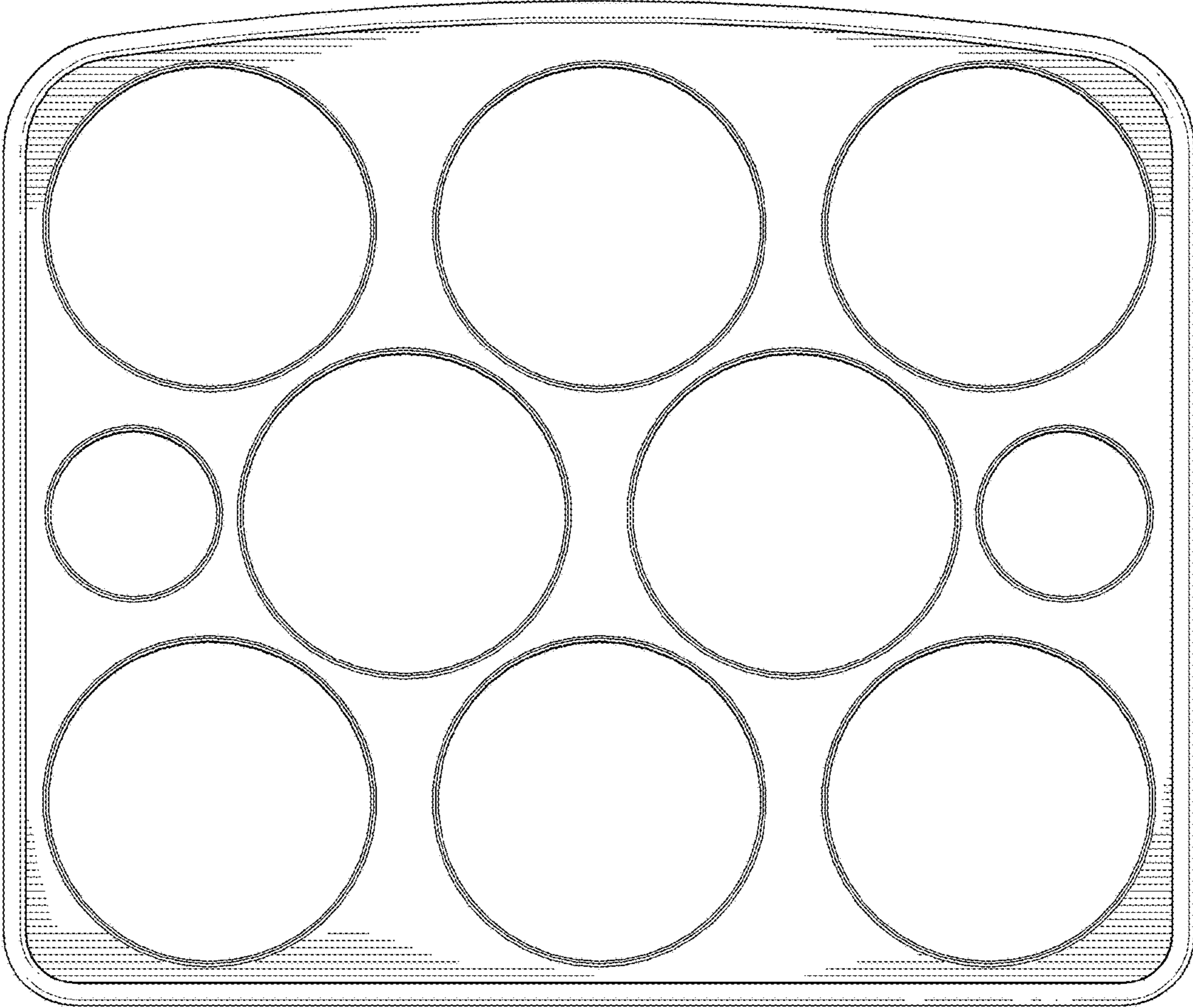


FIG.6

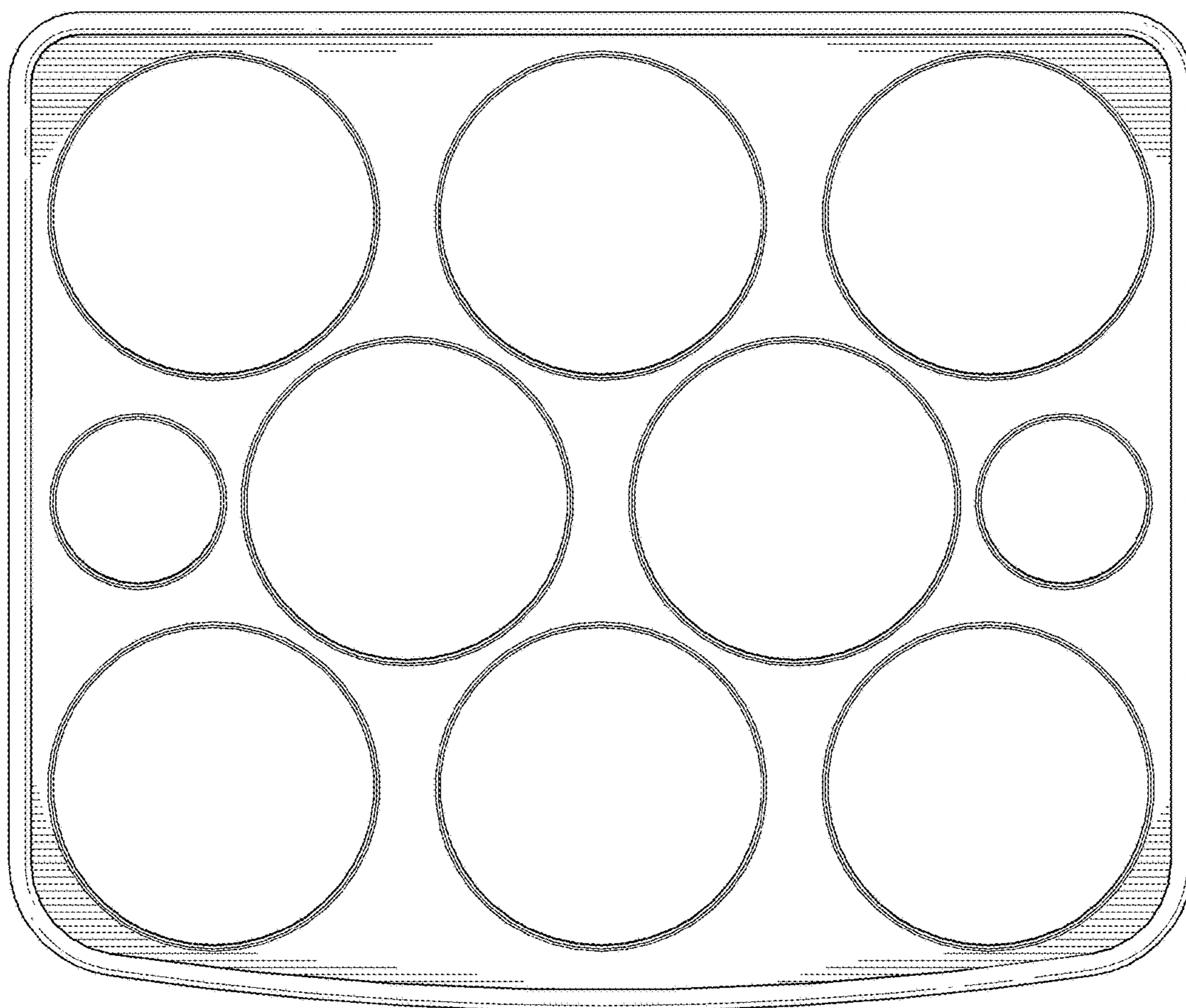


FIG.7