



US00D863963S

(12) **United States Design Patent** (10) **Patent No.:** **US D863,963 S**
Berroa García (45) **Date of Patent:** **** Oct. 22, 2019**

(54) **CAP FOR BOTTLE**
 (71) Applicant: **BETAPACK, S.A.U.**, Irun (Guipúzcoa) (ES)
 (72) Inventor: **Francisco Javier Berroa García**, Irun (ES)
 (73) Assignee: **BETAPACK, S.A.U.**, Irun, Giupuzcoa (ES)
 (**) Term: **15 Years**
 (21) Appl. No.: **29/634,709**
 (22) Filed: **Jan. 24, 2018**

(30) **Foreign Application Priority Data**
 Jul. 5, 2017 (EM) 004089217-0002
 (51) **LOC (12) Cl.** **09-07**
 (52) **U.S. Cl.**
 USPC **D9/453**
 (58) **Field of Classification Search**
 USPC D7/387, 391, 392, 396.1, 396.2, 398, D7/900; D9/438, 449, 452, 453, 454, D9/414-435, 457, 499, 682, 685, 686, D9/688, 723, 724, 763, 772; D12/197; D24/121, 127, 224; D28/76, 78, 82; D19/34.1, 162, 163, 164, 165, 192, 194
 CPC B65D 51/18; B65D 51/28; B65D 51/242; B65D 51/2814; B65D 51/2821; B65D 21/0228; B65D 41/3447; B65D 1/0246; B65D 1/02; B65D 2251/0018; B65D 2251/0026; B65D 2251/009; B65D 55/02; B65D 55/024; B65D 2101/0046; A47G 19/22; A47G 19/2205; A47G 19/2222; A47G 19/2266; A47G 19/2272; A47G 19/2294; A47J 43/27; A47J 36/06; A47J 36/10; A47J 36/14
 See application file for complete search history.

(56) **References Cited**
 U.S. PATENT DOCUMENTS
 5,725,116 A * 3/1998 Takai B65D 41/3409 215/252
 D407,978 S * 4/1999 Petro D9/453
 D437,218 S * 2/2001 Ljunstrom D9/417
 6,308,848 B1 * 10/2001 Parrinello B65D 41/3428 215/252
 D465,731 S * 11/2002 Brant D9/453
 D518,717 S * 4/2006 German D9/453
 D527,631 S * 9/2006 Mallet D9/449
 D592,954 S * 5/2009 Capretta D9/453
 D606,864 S * 12/2009 Robinson D9/453
 (Continued)

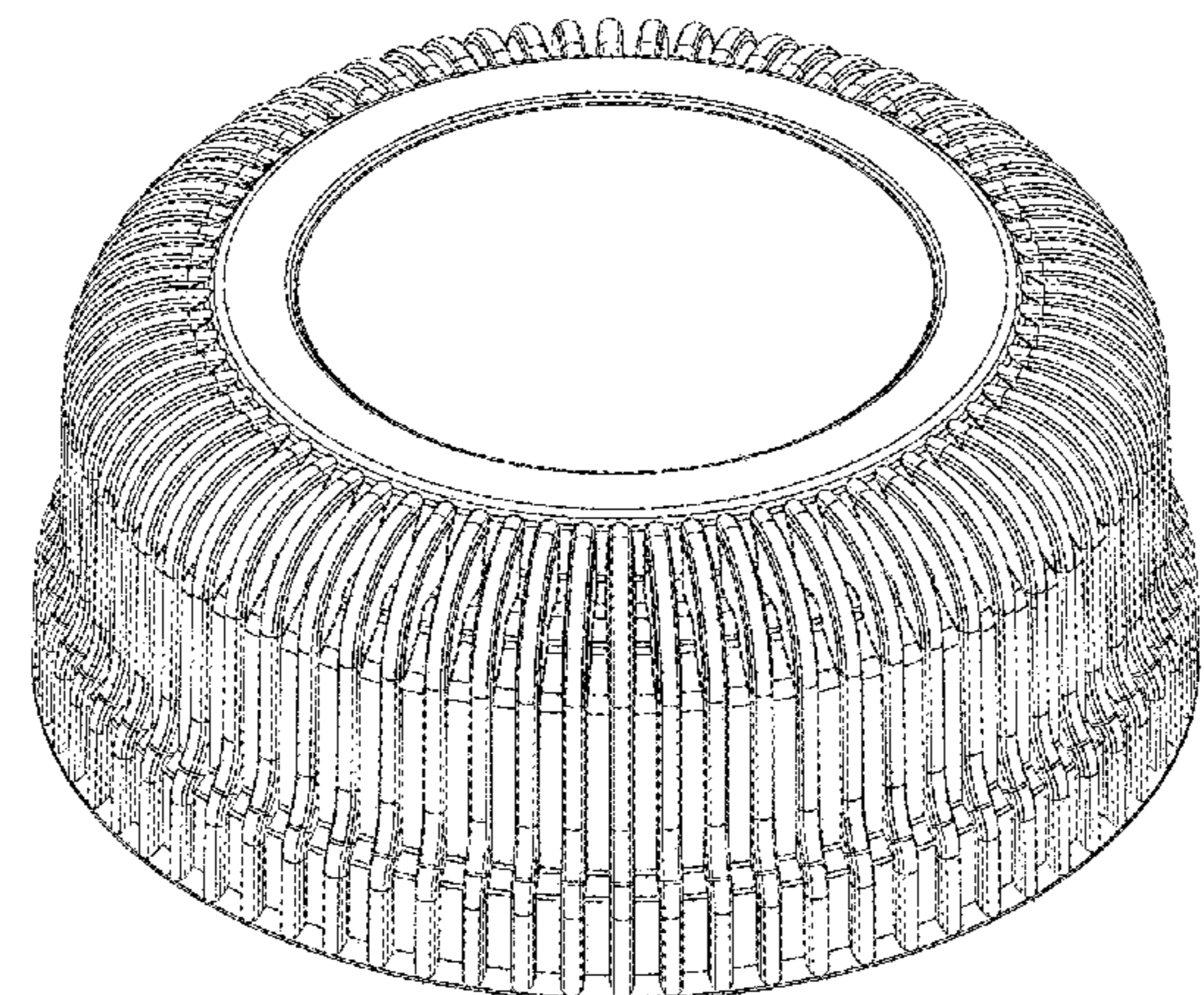
OTHER PUBLICATIONS
 Aqua Lok Mini: Site Visited Dec. 27, 2018. Available from Internet URL: http://csiclosures.com/markets-served/beverages/bottled-water/aqua-lok-mini-26mm-tc?s=capfinder.*
 (Continued)

Primary Examiner — Jennifer Rivard
Assistant Examiner — Catherine S Posthauer
 (74) *Attorney, Agent, or Firm* — Cantor Colburn LLP

(57) **CLAIM**
 I claim, the ornamental design for a cap for bottle, as shown and described.

DESCRIPTION
 FIG. 1 is a front, perspective view of a cap for bottle, showing my new design;
 FIG. 2 is a front view thereof;
 FIG. 3 is a top view thereof;
 FIG. 4 is a side view thereof, the opposite side being a mirror image hereof;
 FIG. 5 is a bottom view thereof;
 FIG. 6 is a rear view thereof; and,
 FIG. 7 is a bottom view in perspective thereof.

1 Claim, 7 Drawing Sheets



(56)

References Cited

U.S. PATENT DOCUMENTS

D619,003 S * 7/2010 Benoit-Gonin D9/453
D632,958 S * 2/2011 Fuchs D9/453
D634,200 S * 3/2011 Taber D9/453
D687,299 S * 8/2013 Peykoff D9/453
D693,221 S * 11/2013 Ramsey D9/453
D693,683 S * 11/2013 Ramsey D9/453
D762,115 S * 7/2016 Corvaglia D9/443
D799,961 S * 10/2017 Yu D9/452
D836,442 S * 12/2018 Wood D9/453
2011/0290755 A1* 12/2011 Taber B65D 41/00
215/329
2012/0031871 A1* 2/2012 Molinaro B65D 1/023
215/44
2013/0313218 A1* 11/2013 Cox B65D 41/0485
215/246
2018/0079570 A1* 3/2018 Maguire B65D 55/16
2018/0257822 A1* 9/2018 Neputy B65D 41/0485

OTHER PUBLICATIONS

Betapack Pedrosa Cap: Site Visited Dec. 27, 2018. Available from Internet URL: <https://www.betapack.com/en/site/caps/11/pedrosa>.*

Betapack Cap: Site Visited Dec. 27, 2018. Available from Internet URL: <https://www.betapack.com/en/site/caps/35/30-25-a>.*

Tamper Evident Cap: Announced Sep. 10, 2017 [online]. Site Visited Dec. 27, 2018. Available from Internet URL: <https://catalog.berryglobal.com/products/closure/closure-tamper-evident/closure778ce2626pfing3>.*

* cited by examiner

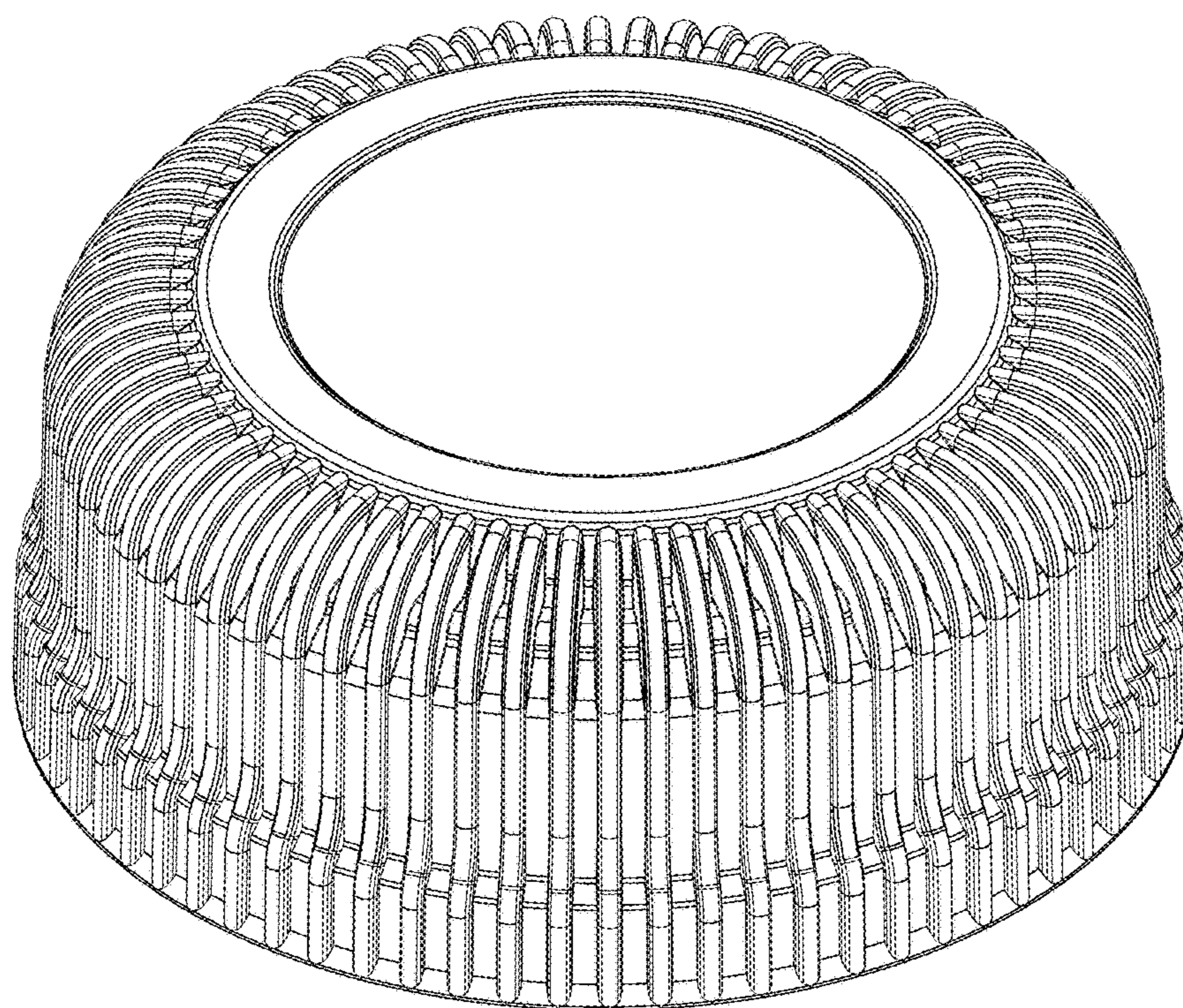


FIG. 1

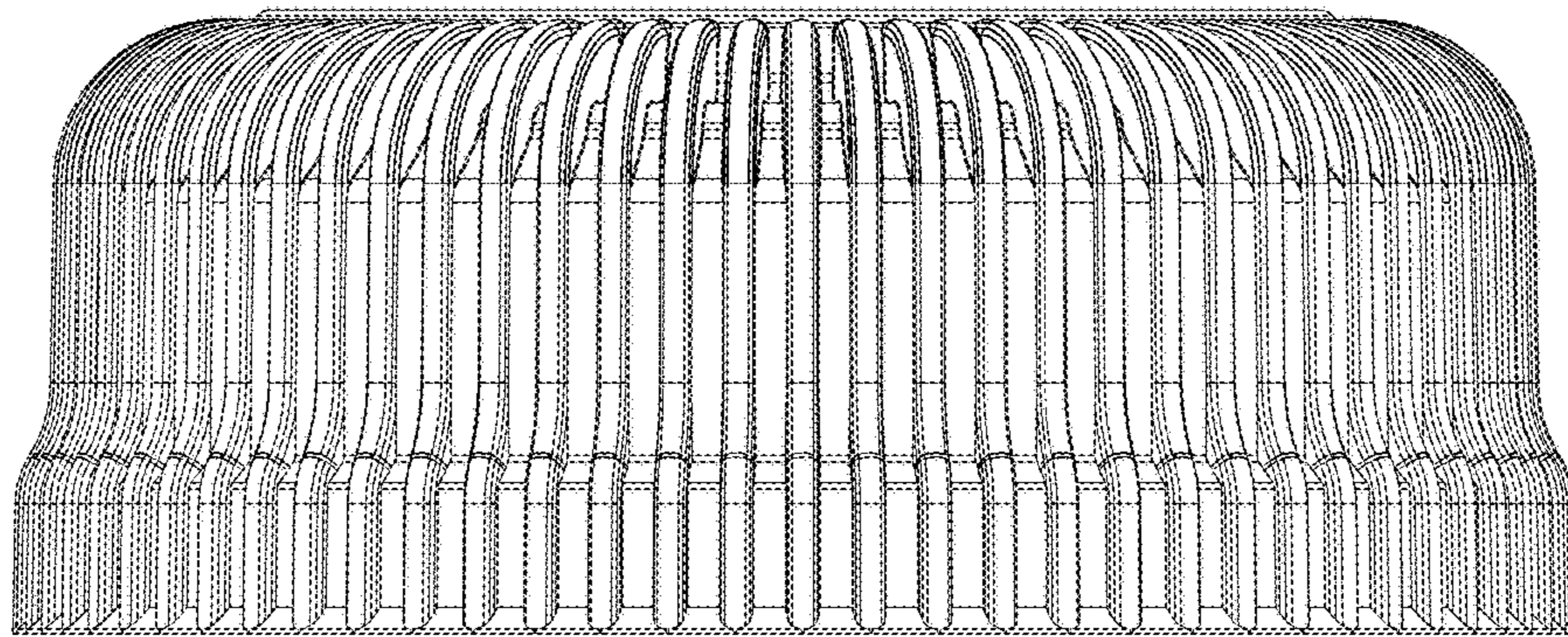


FIG. 2

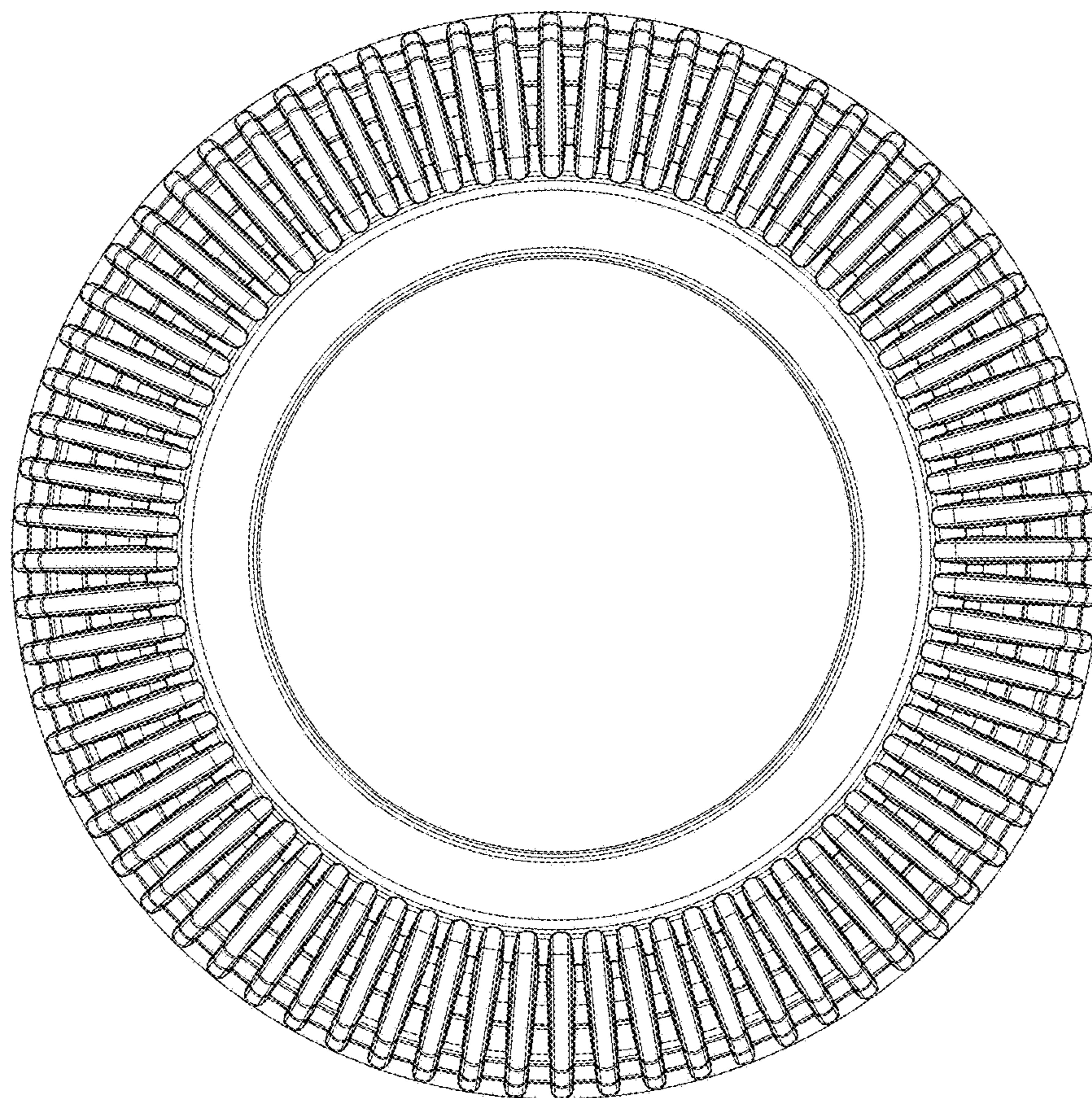


FIG. 3

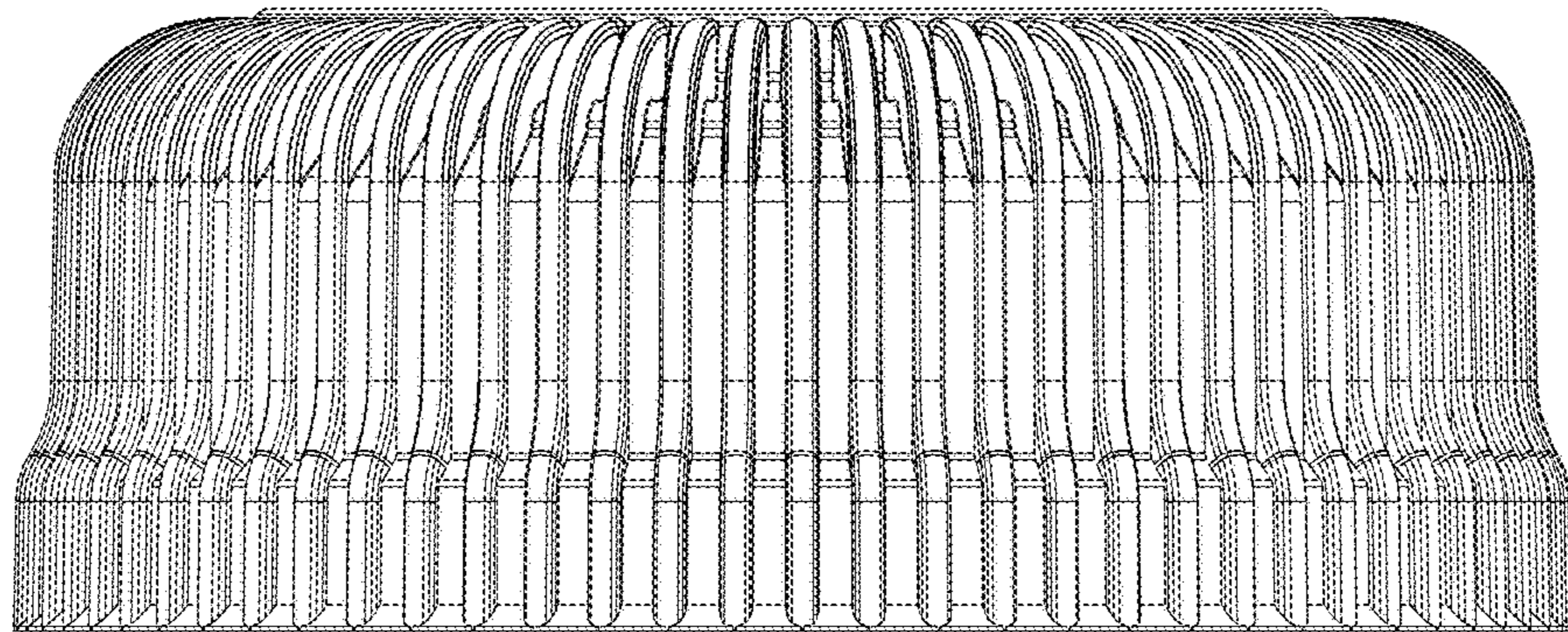


FIG. 4

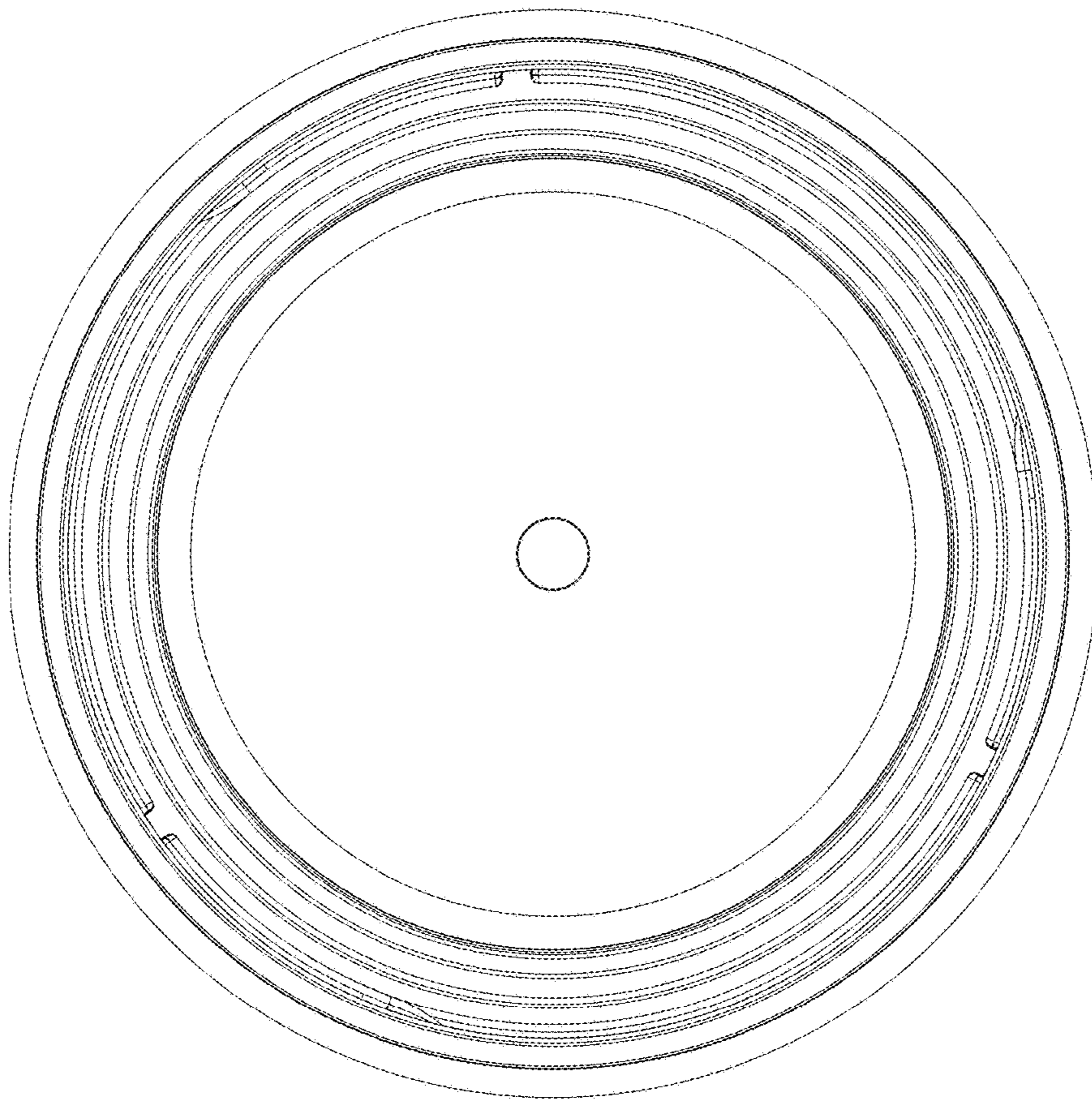


FIG. 5

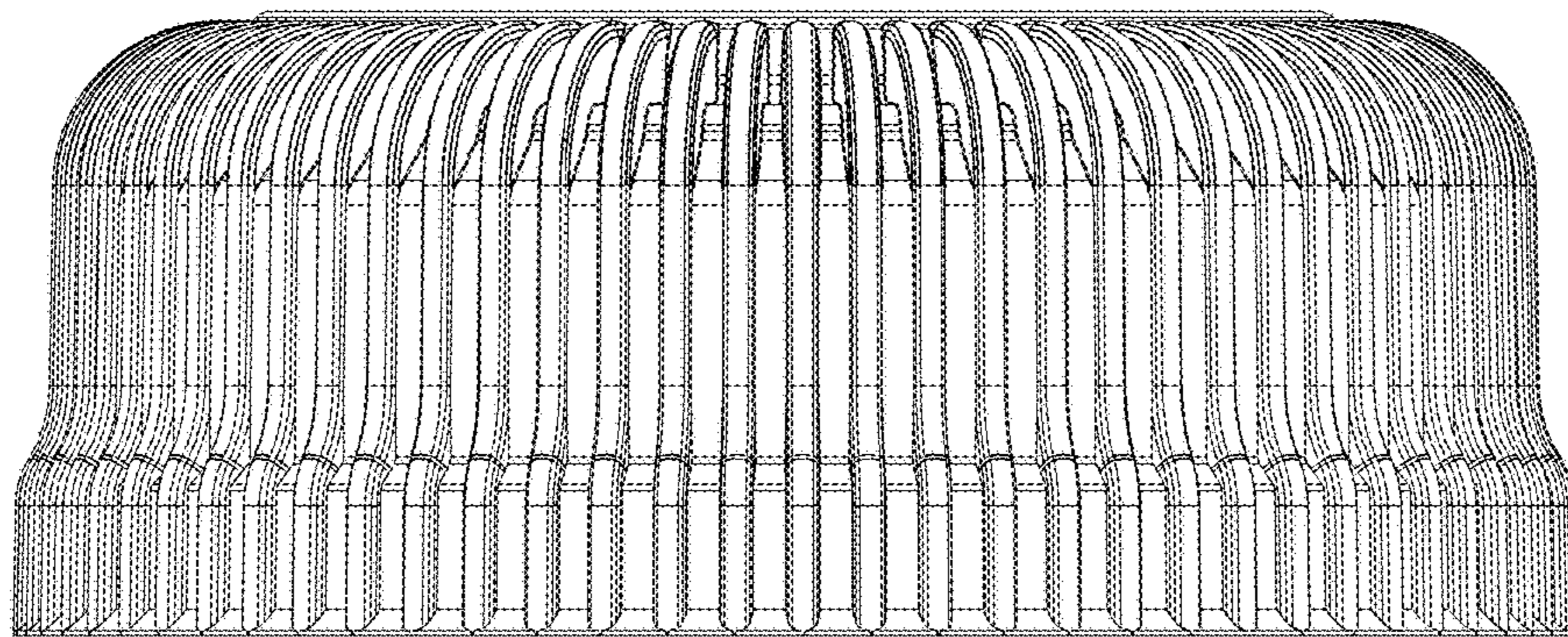


FIG. 6

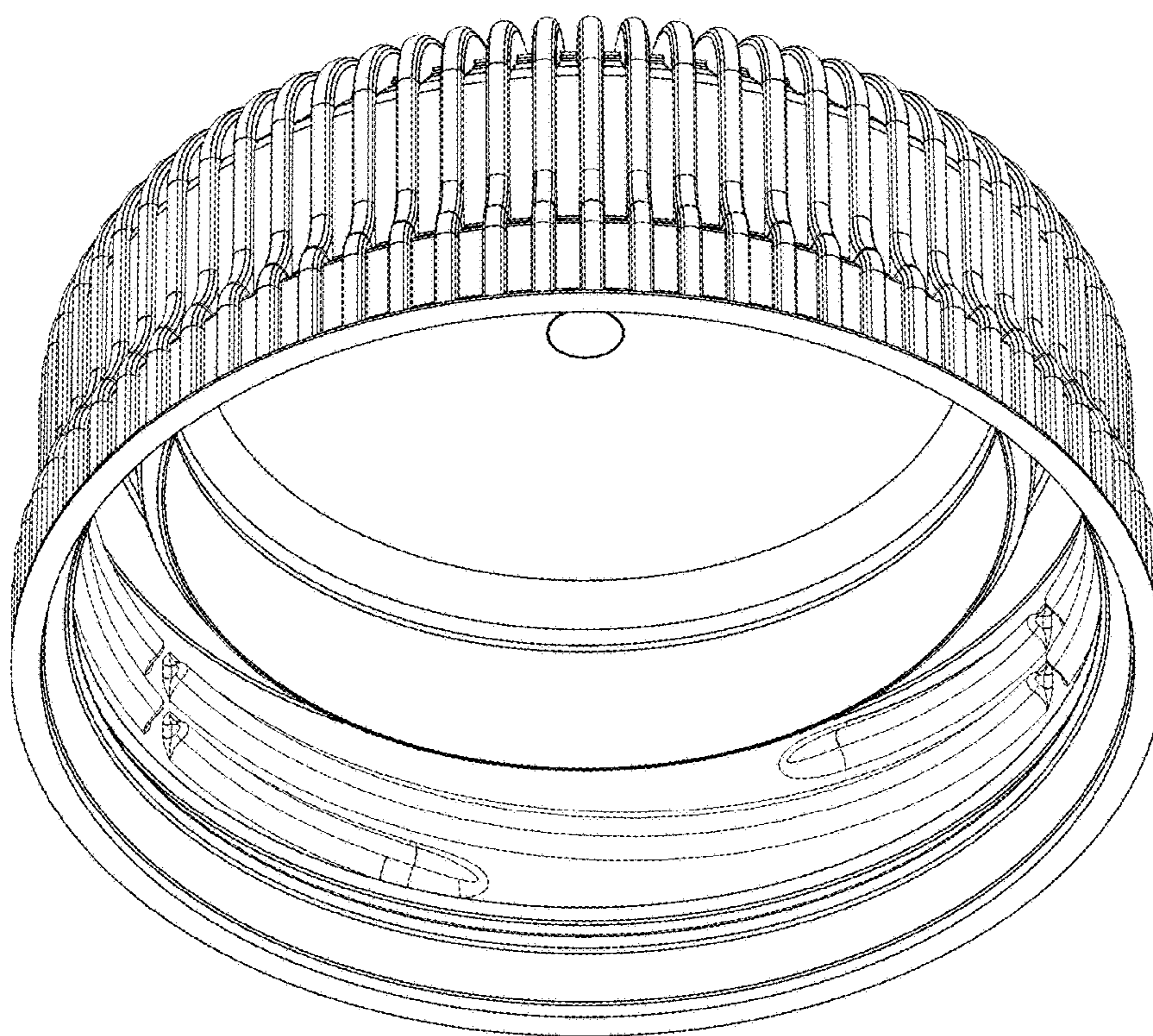


FIG. 7