



US00D863960S

(12) **United States Design Patent** (10) **Patent No.:** **US D863,960 S**
Johnson et al. (45) **Date of Patent:** **** Oct. 22, 2019**

- (54) **CAP FOR A BOTTLE**
- (71) Applicant: **Entrust Datacard Corporation**,
Shakopee, MN (US)
- (72) Inventors: **Kyle Johnson**, Shakopee, MN (US);
Randy Jordan, Shakopee, MN (US)
- (73) Assignee: **ENTRUST DATACARD**
CORPORATION, Shakopee, MN (US)
- (**) Term: **15 Years**
- (21) Appl. No.: **29/625,405**
- (22) Filed: **Nov. 9, 2017**
- (51) **LOC (12) Cl.** **09-07**
- (52) **U.S. Cl.**
USPC **D9/443; D9/435**
- (58) **Field of Classification Search**
USPC D7/387, 392.1, 396.2; D9/434–436, 439,
D9/443–445, 447, 454, 499, 452, 453
CPC B65D 1/0246; B65D 39/00; B65D 41/00;
B65D 50/048; B65D 41/28; B65D 35/44
See application file for complete search history.

- D244,027 S * 4/1977 Mooney D13/156
- D301,550 S * 6/1989 Mobberley D9/453
- D529,804 S * 10/2006 Lohrman D9/453
- D578,890 S * 10/2008 Swanson D9/435
- D642,467 S * 8/2011 Knutson D9/443
- D828,752 S * 9/2018 Ploeger D9/435

* cited by examiner

Primary Examiner — George D. Kirschbaum
Assistant Examiner — Darcey E Gottschalk
(74) *Attorney, Agent, or Firm* — Hamre, Schumann,
Mueller & Larson, P.C.

(57) **CLAIM**

The ornamental design of a cap for a bottle, as shown and described.

DESCRIPTION

FIG. 1 is a perspective view of a cap for a bottle showing our new design.
FIG. 2 is a front view thereof.
FIG. 3 is a rear view thereof.
FIG. 4 is a right side view thereof.
FIG. 5 is a left side view thereof.
FIG. 6 is a top view thereof; and,
FIG. 7 is a bottom view thereof.
In the drawings, the dashed broken lines show portions of a cap for a bottle that form no part of the claim. The dot-dash lines form a boundary of the claimed design and form no part thereof.

1 Claim, 7 Drawing Sheets

- (56) **References Cited**
U.S. PATENT DOCUMENTS
2,218,308 A * 10/1940 Comer B65D 47/20
215/317
D240,022 S * 5/1976 Laurizio D9/439
D241,018 S * 8/1976 Amicis D9/439

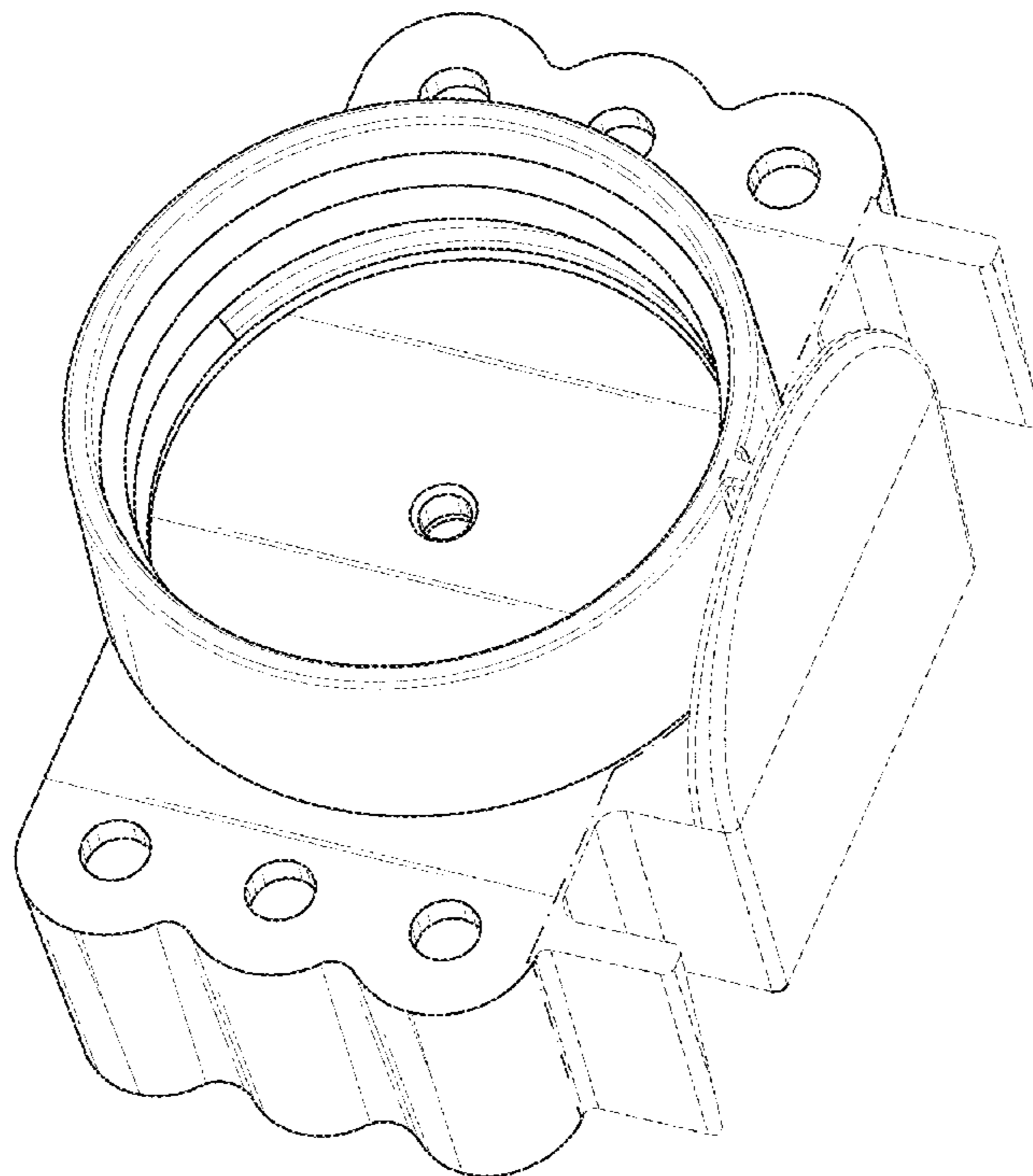


Fig. 1

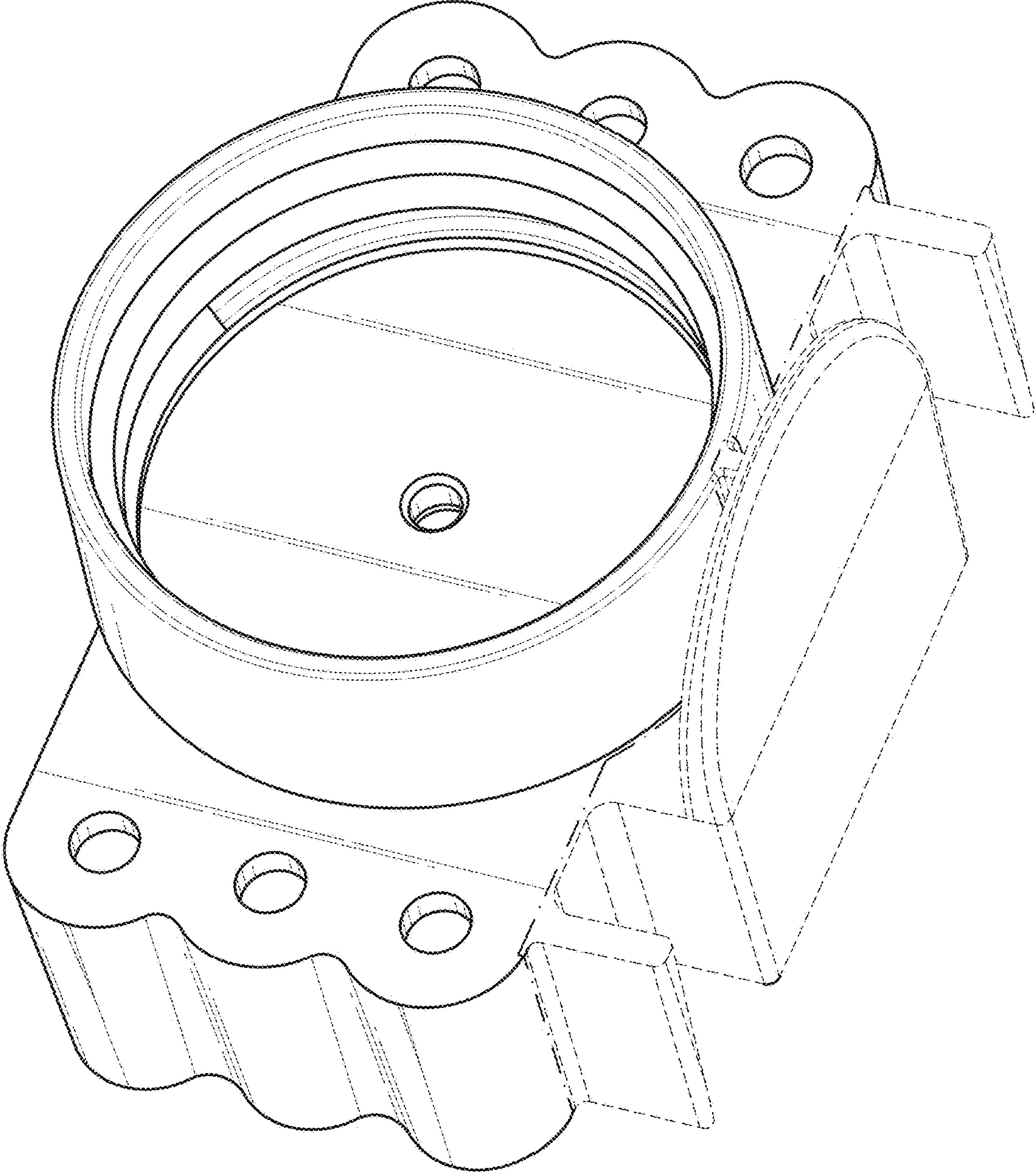


Fig. 2

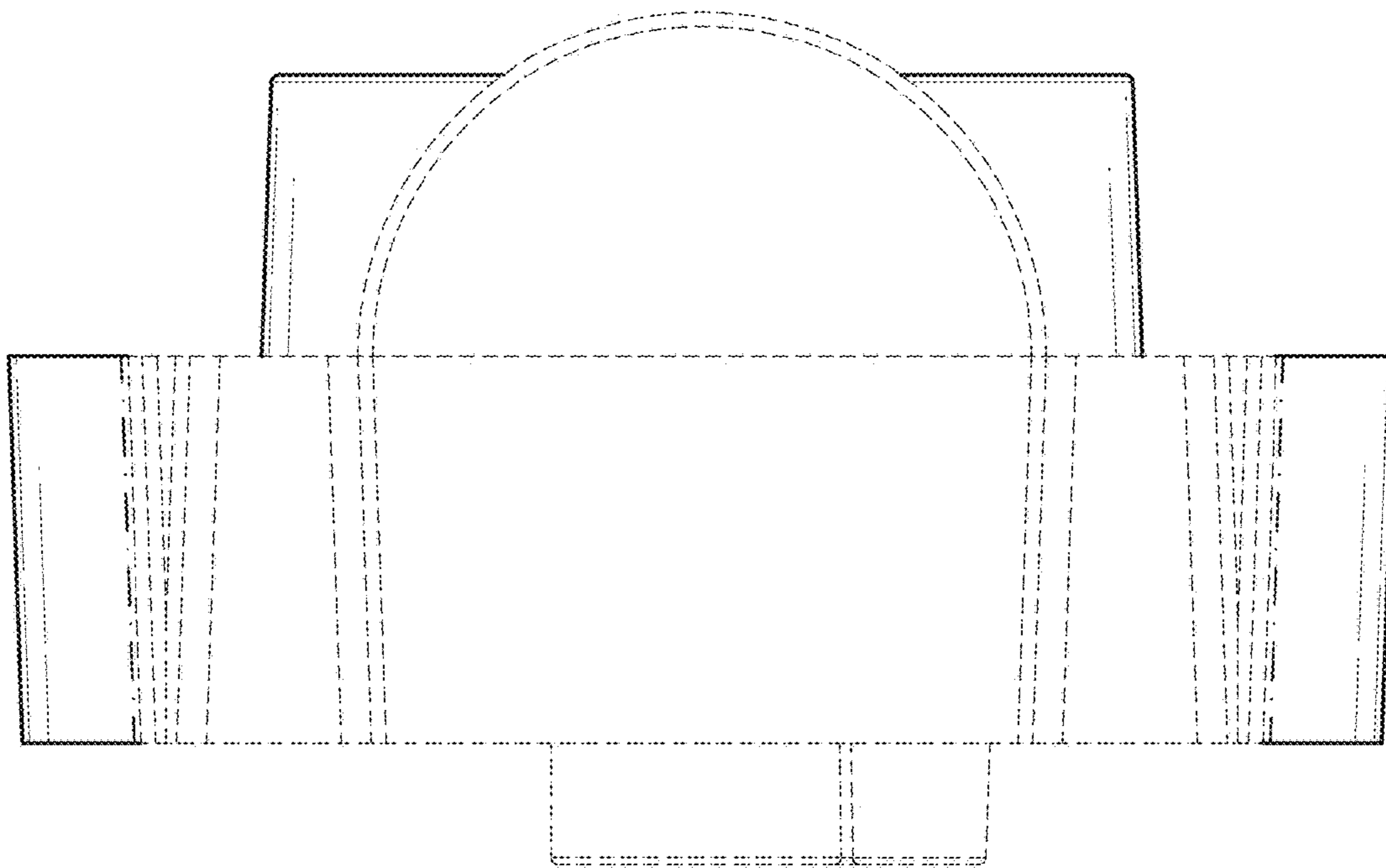


Fig. 3

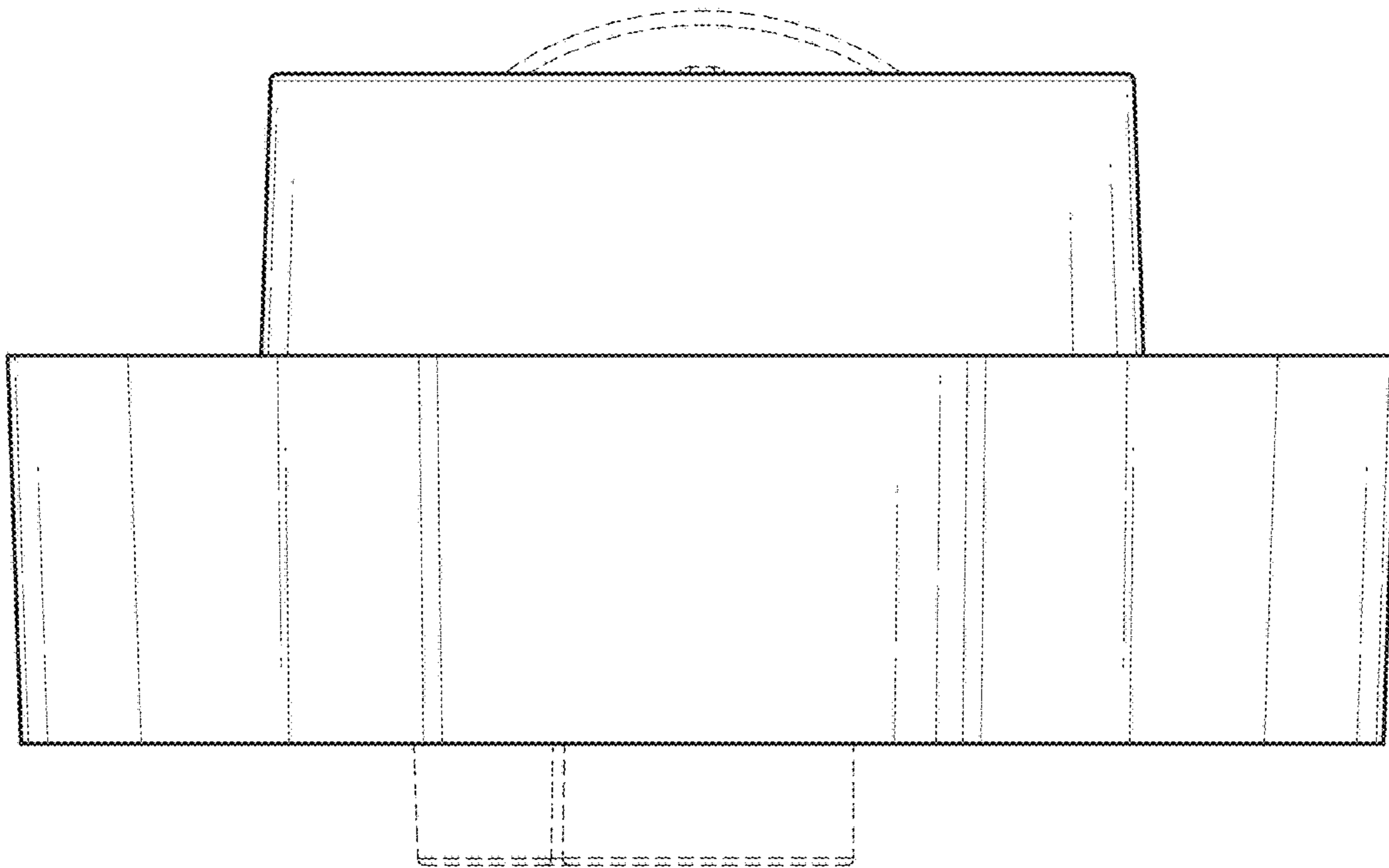


Fig. 4

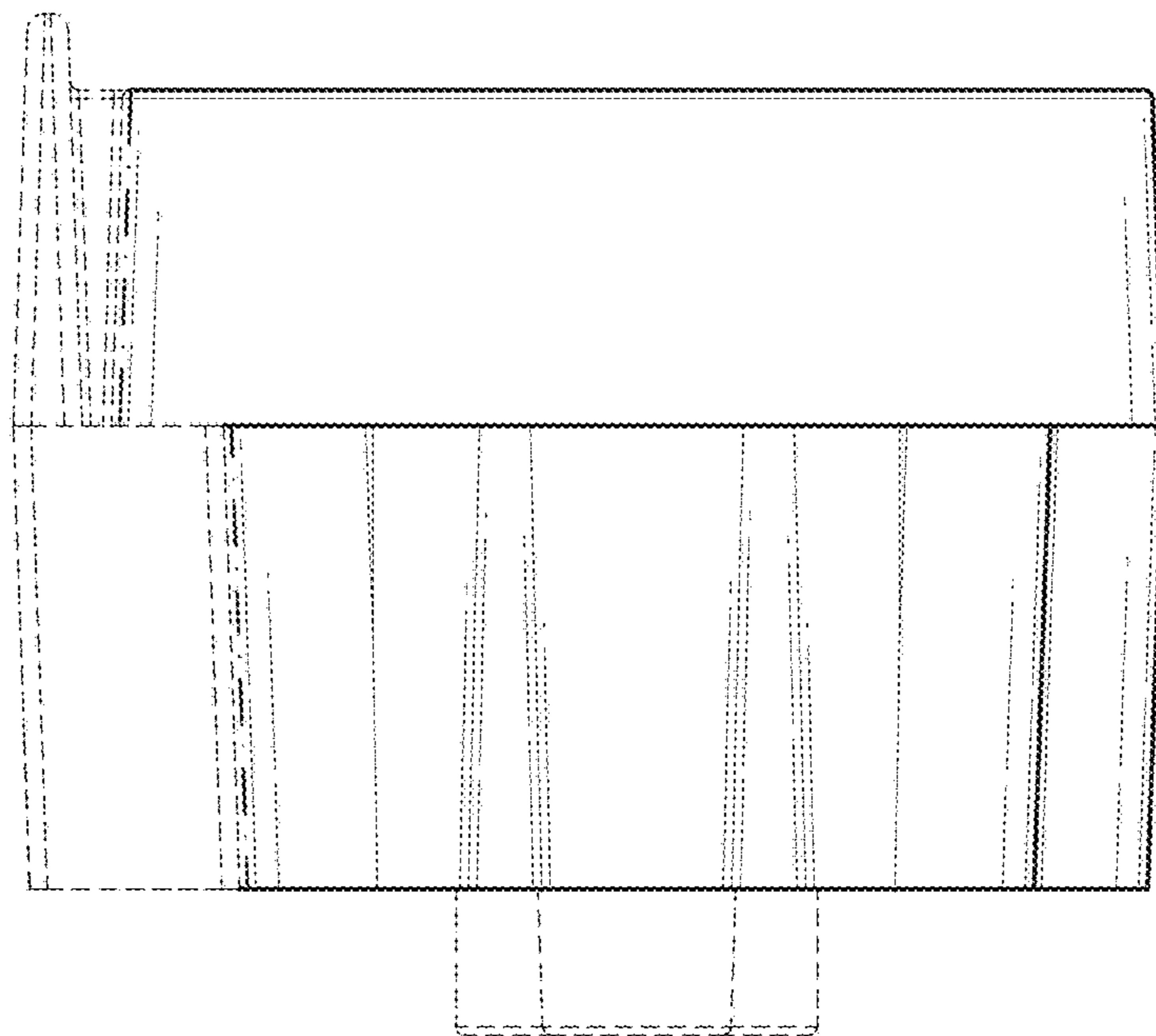


Fig. 5

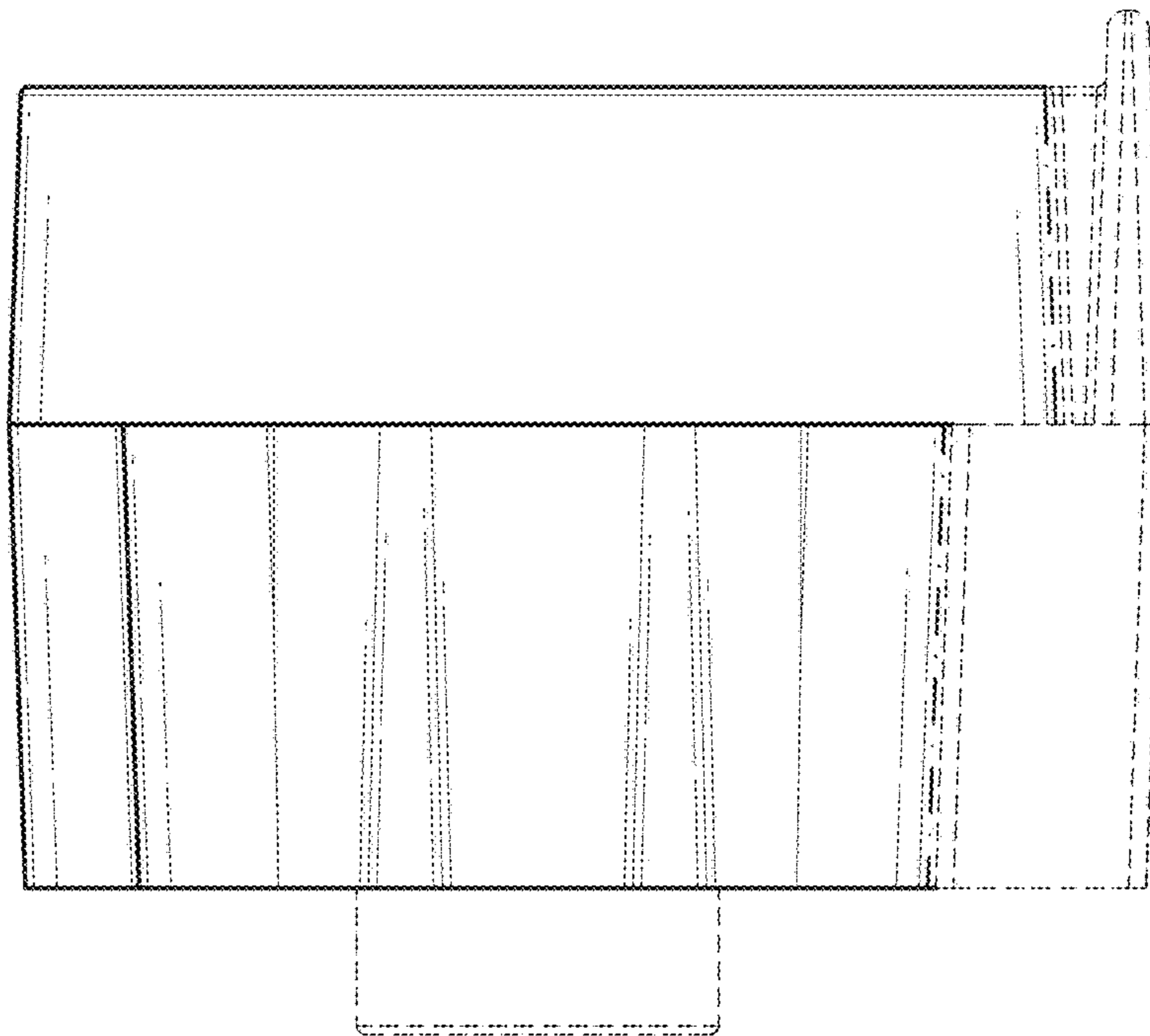


Fig. 6

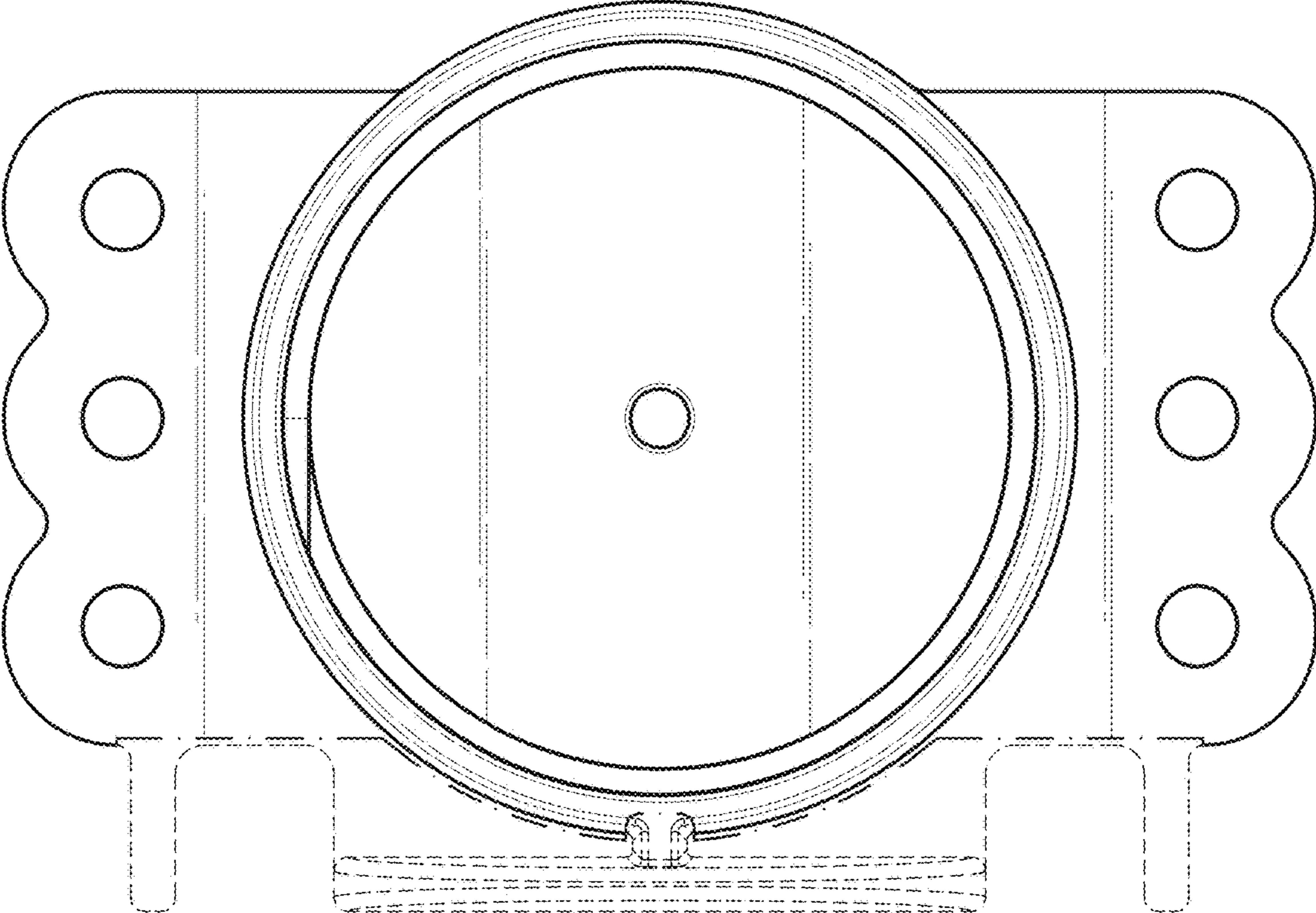


Fig. 7

