



US00D863957S

(12) **United States Design Patent** (10) **Patent No.:** **US D863,957 S**
Riffe et al. (45) **Date of Patent:** **** Oct. 22, 2019**

(54) **OVER THE COUNTER MEDICINAL CONTAINER WITH SURFACE ORNAMENTATION**

(71) Applicant: **The Procter & Gamble Company**, Cincinnati, OH (US)

(72) Inventors: **Mary Carol Riffe**, Cincinnati, OH (US); **Amy Marie Kletz**, Cincinnati, OH (US); **Matt S. Moses**, Cincinnati, OH (US)

(73) Assignee: **The Procter & Gamble Company**, Cincinnati, OH (US)

(**) Term: **15 Years**

(21) Appl. No.: **29/661,844**

(22) Filed: **Aug. 31, 2018**

(51) **LOC (12) Cl.** **09-07**

(52) **U.S. Cl.**
USPC **D9/434; D9/415**

(58) **Field of Classification Search**
USPC **D3/270, 271.1-271.4; D7/510, 514-520, D7/599, 604, 613, 619.2, 623, 628;**
(Continued)

(56) **References Cited**

U.S. PATENT DOCUMENTS

D406,754 S * 3/1999 Tanabe D9/415
D423,926 S * 5/2000 Kellar D9/415
(Continued)

OTHER PUBLICATIONS

U.S. Appl. No. 29/661,841, filed Aug. 31, 2008, Riffe et al.
(Continued)

Primary Examiner — Sandra L Morris
(74) *Attorney, Agent, or Firm* — Amanda Herman Berghauer

(57) **CLAIM**

The ornamental design for an over the counter medicinal container with surface ornamentation, as shown and described.

DESCRIPTION

The present application file contains at least one drawing executed in color. Copies of this patent or patent application publication with color drawing(s) will be provided by the Office upon request and payment of the necessary fee.

FIG. 1 is a perspective view of an over the counter medicinal container with surface ornamentation embodying our new design;

FIG. 2 is a front view thereof;

FIG. 3 is a left side view thereof;

FIG. 4 is a rear view thereof;

FIG. 5 is a right side view thereof;

FIG. 6 is a top view thereof;

FIG. 7 is a bottom view thereof;

FIG. 8 is a perspective view of a second embodiment of an over the counter medicinal container with surface ornamentation embodying our new design;

FIG. 9 is a front view thereof;

FIG. 10 is a left side view thereof;

FIG. 11 is a rear view thereof;

FIG. 12 is a right side view thereof;

FIG. 13 is a top view thereof;

FIG. 14 is a bottom view thereof;

FIG. 15 is a perspective view of a third embodiment of an over the counter medicinal container with surface ornamentation embodying our new design;

FIG. 16 is a front view thereof;

FIG. 17 is a left side view thereof;

FIG. 18 is a rear view thereof;

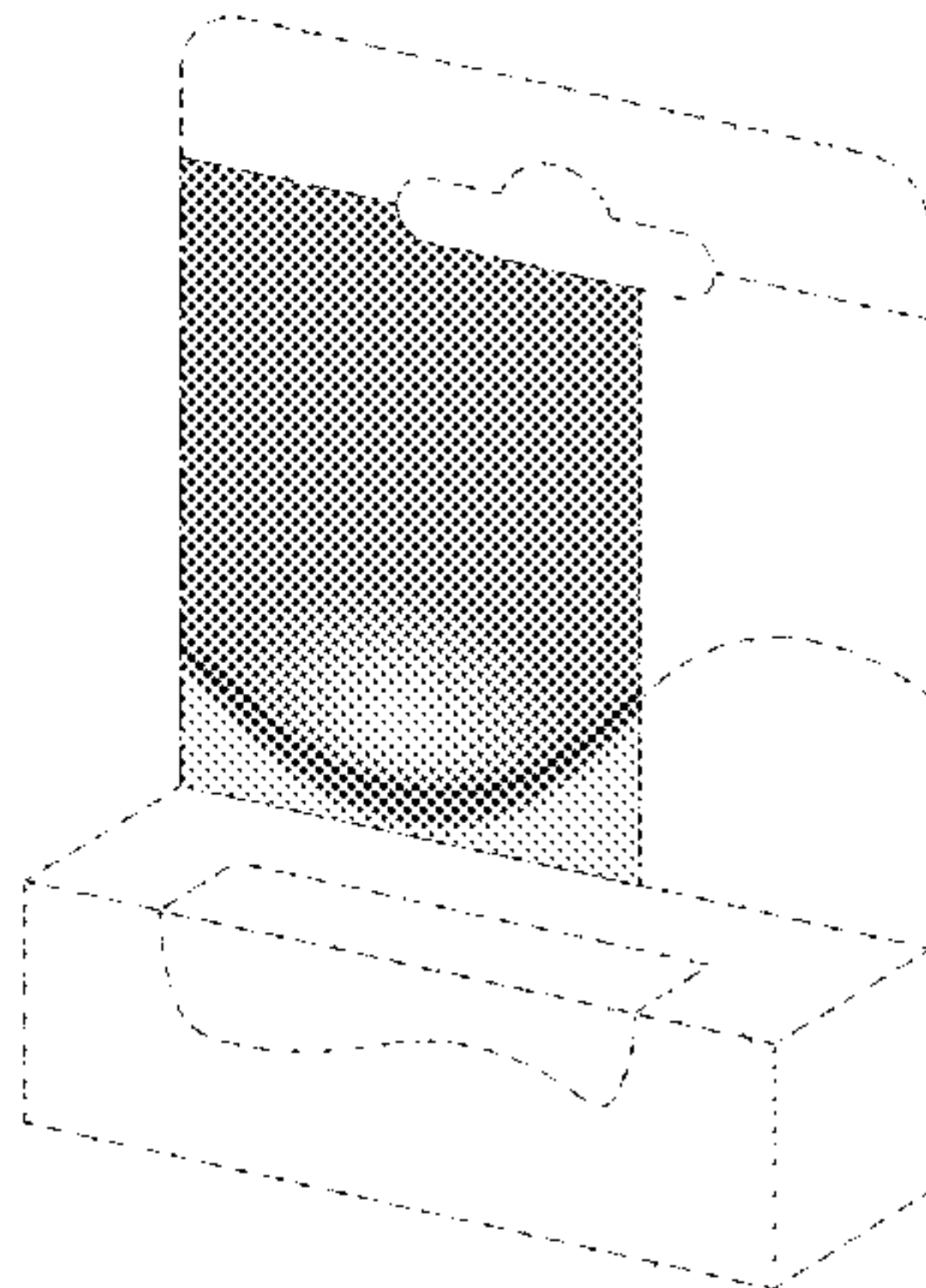
FIG. 19 is a right side view thereof;

FIG. 20 is a top view thereof; and,

FIG. 21 is a bottom view thereof.

The evenly broken lines are shown for the purpose of illustrating parts of the article that form no part of the claim. The dot-dash lines represent the boundaries of the claim and form no part thereof.

1 Claim, 6 Drawing Sheets
(2 of 6 Drawing Sheet(s) Filed in Color)



(58) **Field of Classification Search**

USPC D9/600, 414-434, 500-504; 206/457,
 206/459.5, 527; 215/381-384, 400;
 D20/23-25, 27-28
 CPC B65D 5/42; B65D 5/4258; B65D 81/36;
 B65D 81/365; B65D 81/366; B65D
 81/368; B65D 2203/00; B65D 2203/02;
 B65D 37/00; B65D 85/00; B65D 75/22;
 B65D 75/366; A63H 33/16; B32D 73/16;
 B32D 73/162; B32D 73/164
 See application file for complete search history.

(56) **References Cited**

U.S. PATENT DOCUMENTS

D587,111 S * 2/2009 Seol D5/56
 D599,201 S * 9/2009 Seol D9/432
 D600,548 S * 9/2009 Seol D9/432
 D608,636 S * 1/2010 Seol D9/432
 D638,703 S * 5/2011 Sovonick D9/434
 D647,796 S * 11/2011 Sovonick D9/434
 D647,797 S * 11/2011 Sovonick D9/434

D649,044 S * 11/2011 Sovonick D9/434
 D649,877 S * 12/2011 Sovonick D9/434
 D650,273 S * 12/2011 Tekulve D9/432
 D655,155 S * 3/2012 Tekulve D9/432
 D655,156 S * 3/2012 Schrimpf D9/432
 D655,602 S * 3/2012 Hablutzel D9/434
 D677,580 S * 3/2013 Powers D9/434
 D686,066 S * 7/2013 Macaulay D9/434
 D686,067 S * 7/2013 Macaulay D9/434
 D706,630 S * 6/2014 Merchant D9/434
 D707,122 S * 6/2014 Merchant D9/434
 D711,737 S * 8/2014 Hara D9/432
 D712,736 S * 9/2014 Hara D9/432
 D764,290 S * 8/2016 Alexander D9/434
 D783,397 S * 4/2017 Riffe D9/434
 9,809,346 B2 * 11/2017 Valencia B65D 5/42
 D829,546 S * 10/2018 Gagliardo D9/434

OTHER PUBLICATIONS

U.S. Appl. No. 29/661,842, filed Aug. 31, 2008, Riffe et al.
 U.S. Appl. No. 29/661,843, filed Aug. 31, 2008, Riffe et al.
 U.S. Appl. No. 29/661,845, filed Aug. 31, 2008, Riffe et al.

* cited by examiner

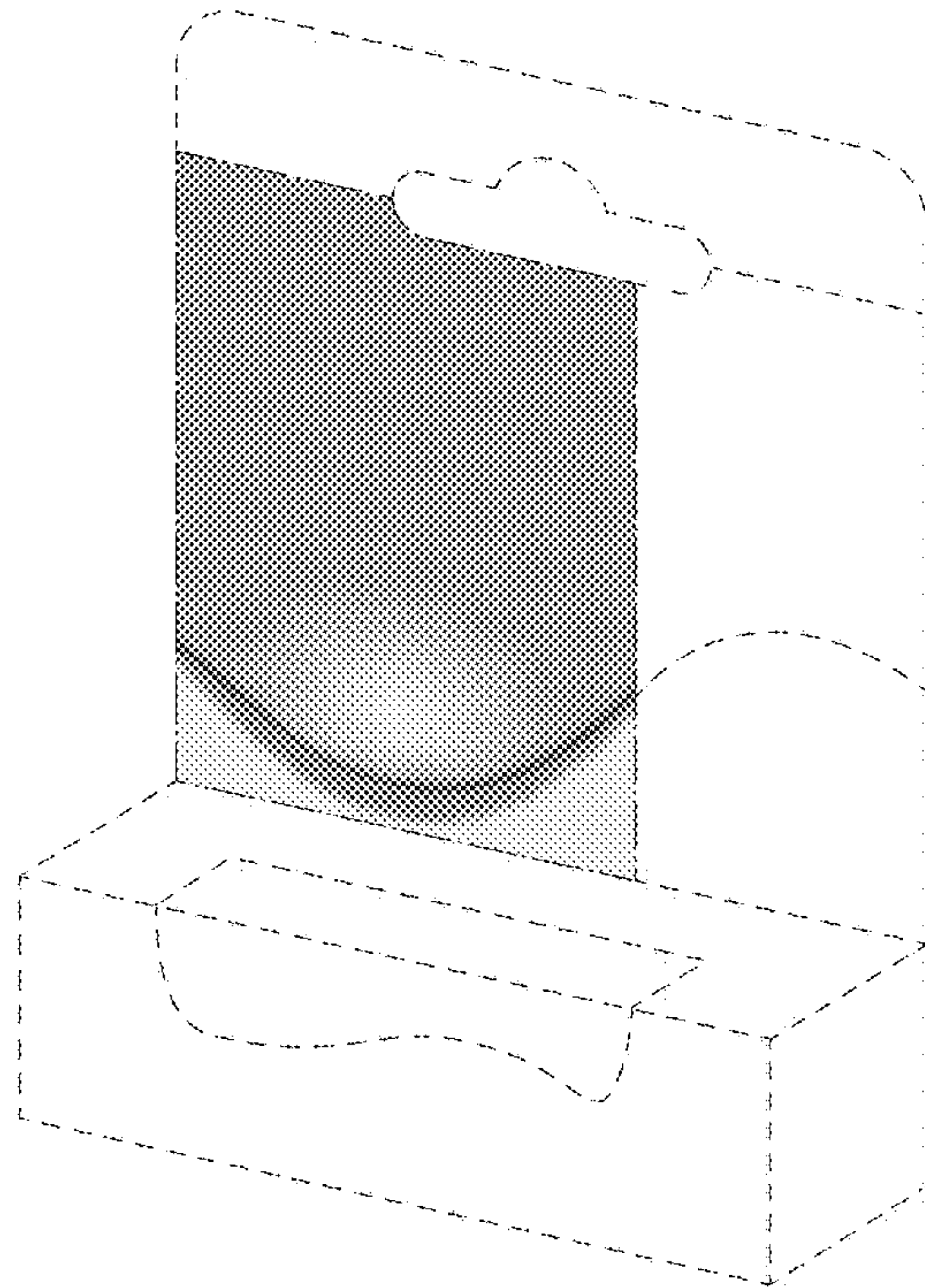


FIG. 1

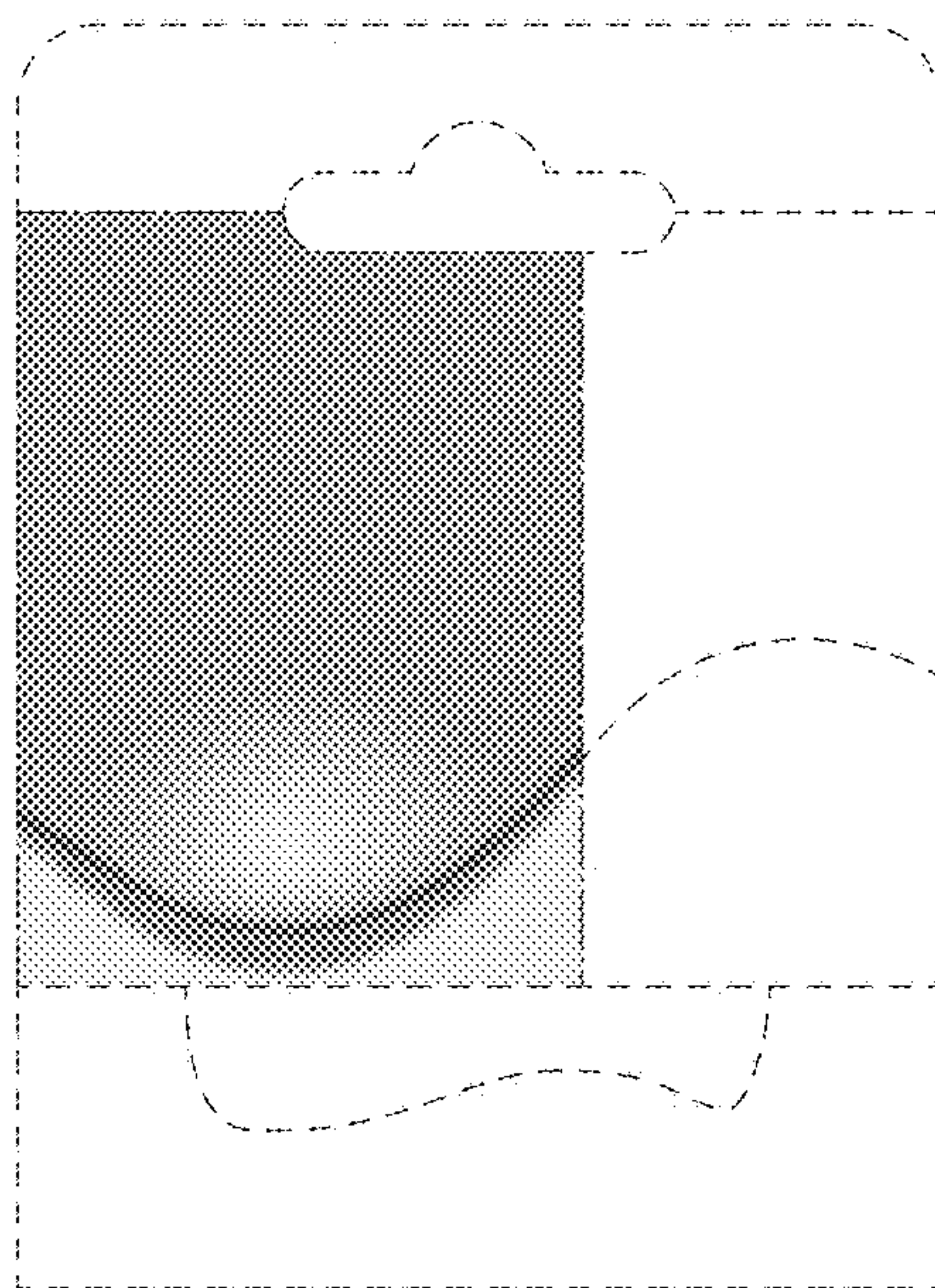


FIG. 2

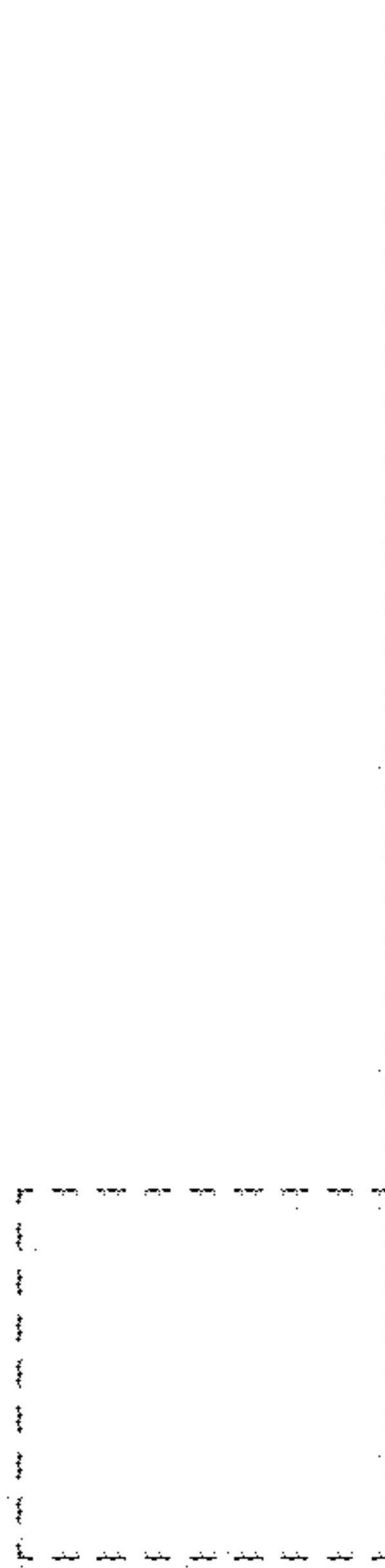


FIG. 3

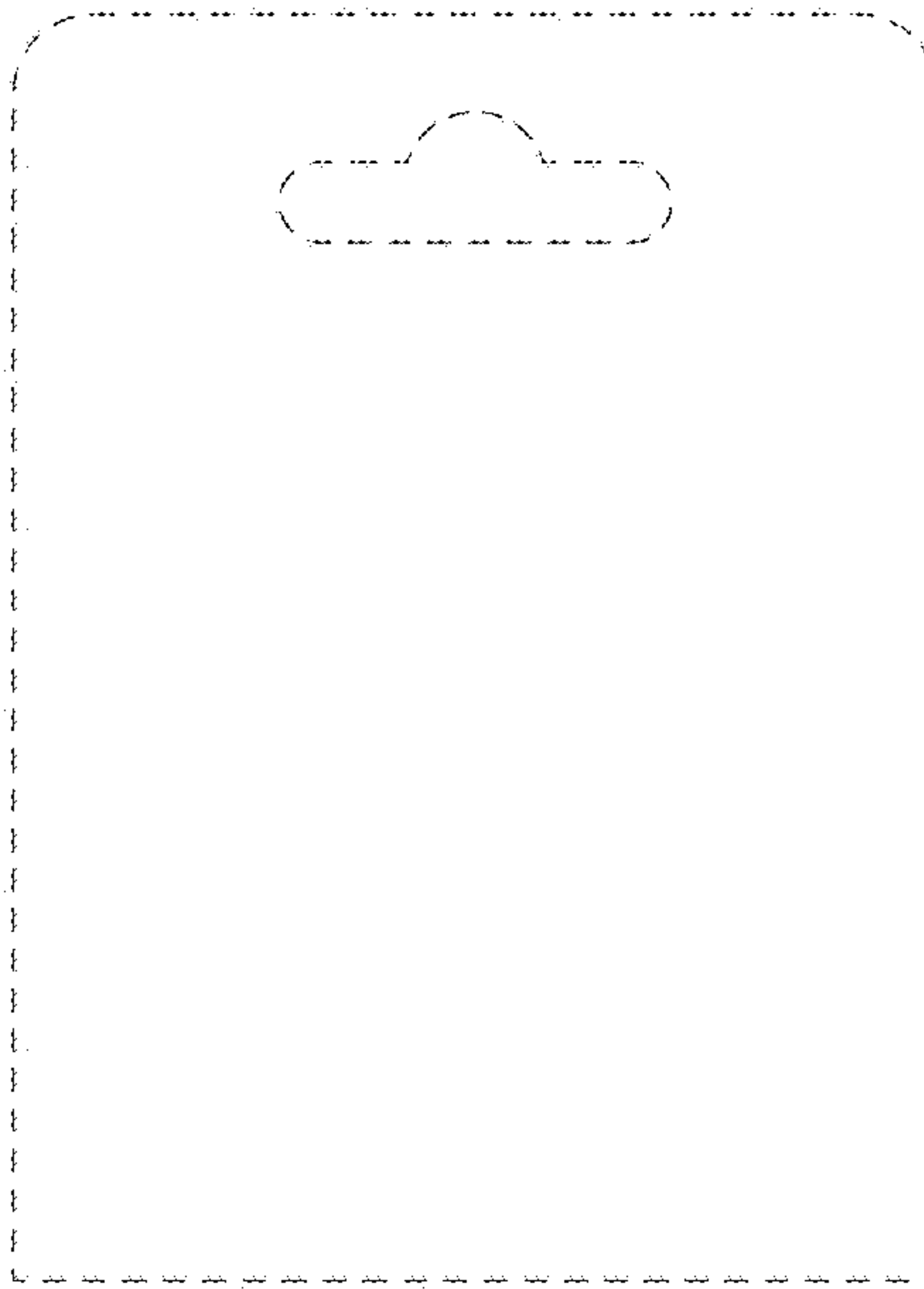


FIG. 4

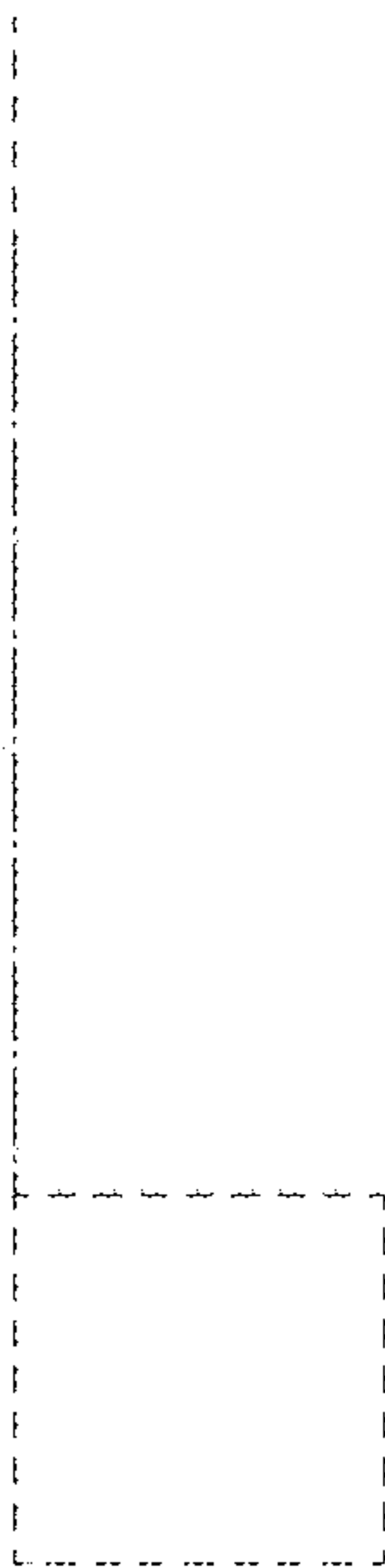


FIG. 5

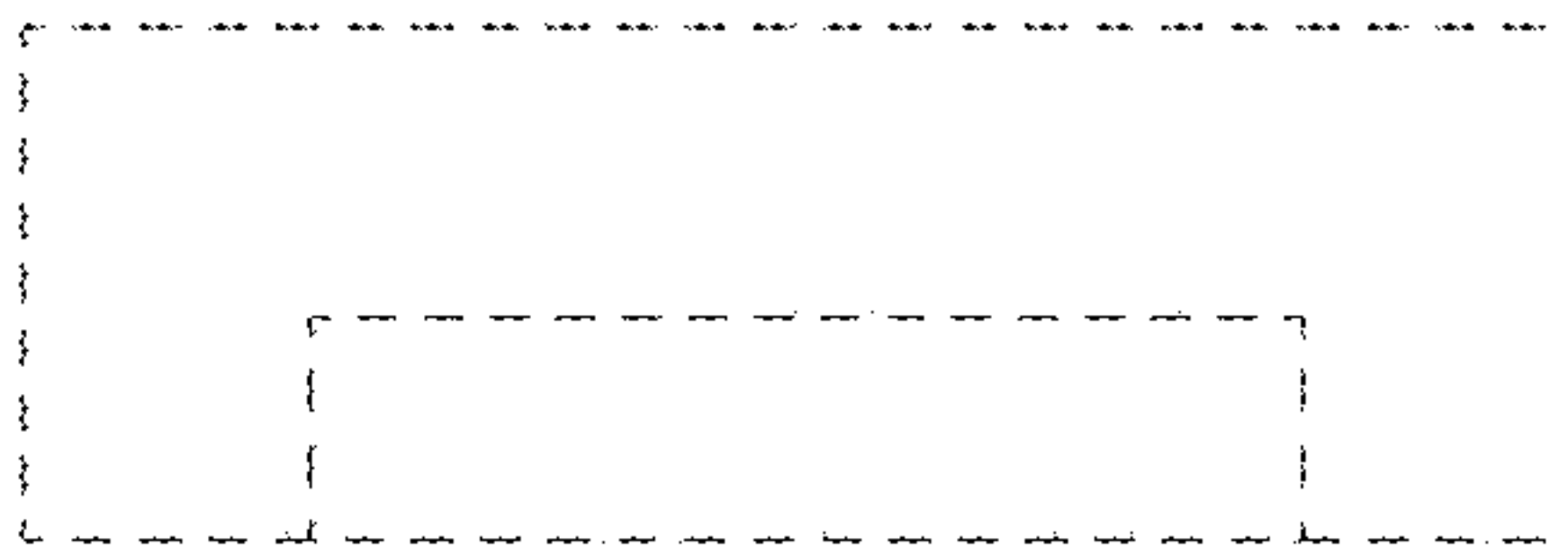


FIG. 6

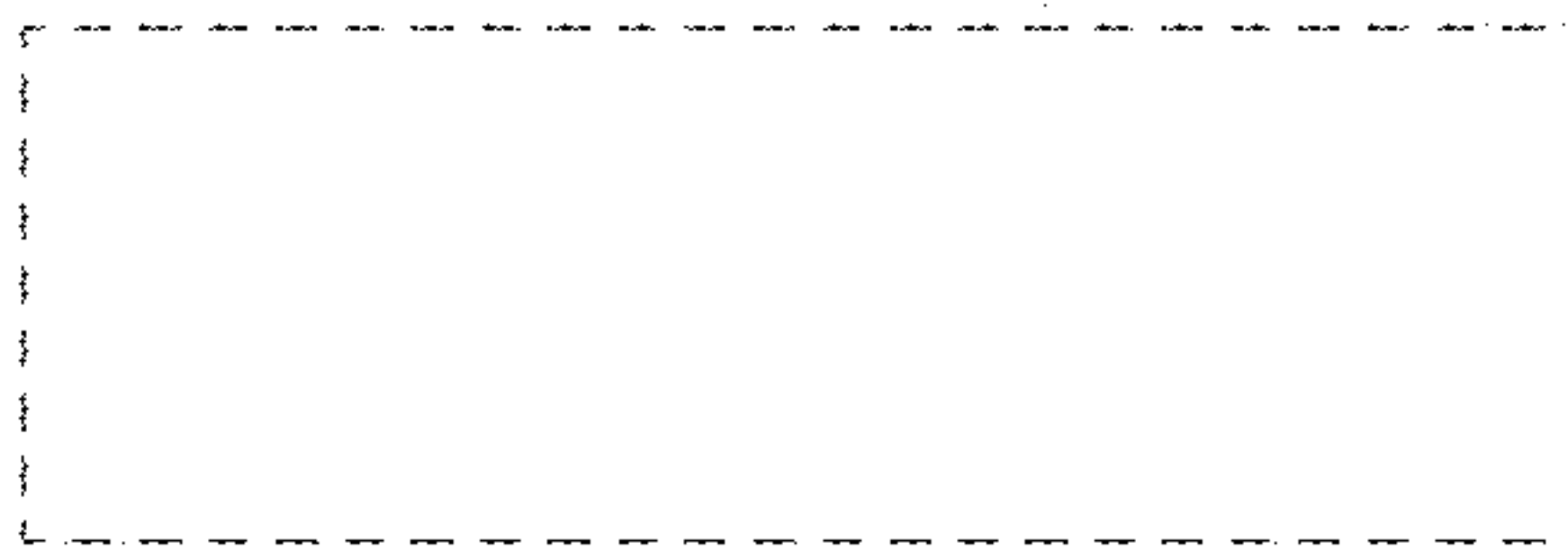


FIG. 7

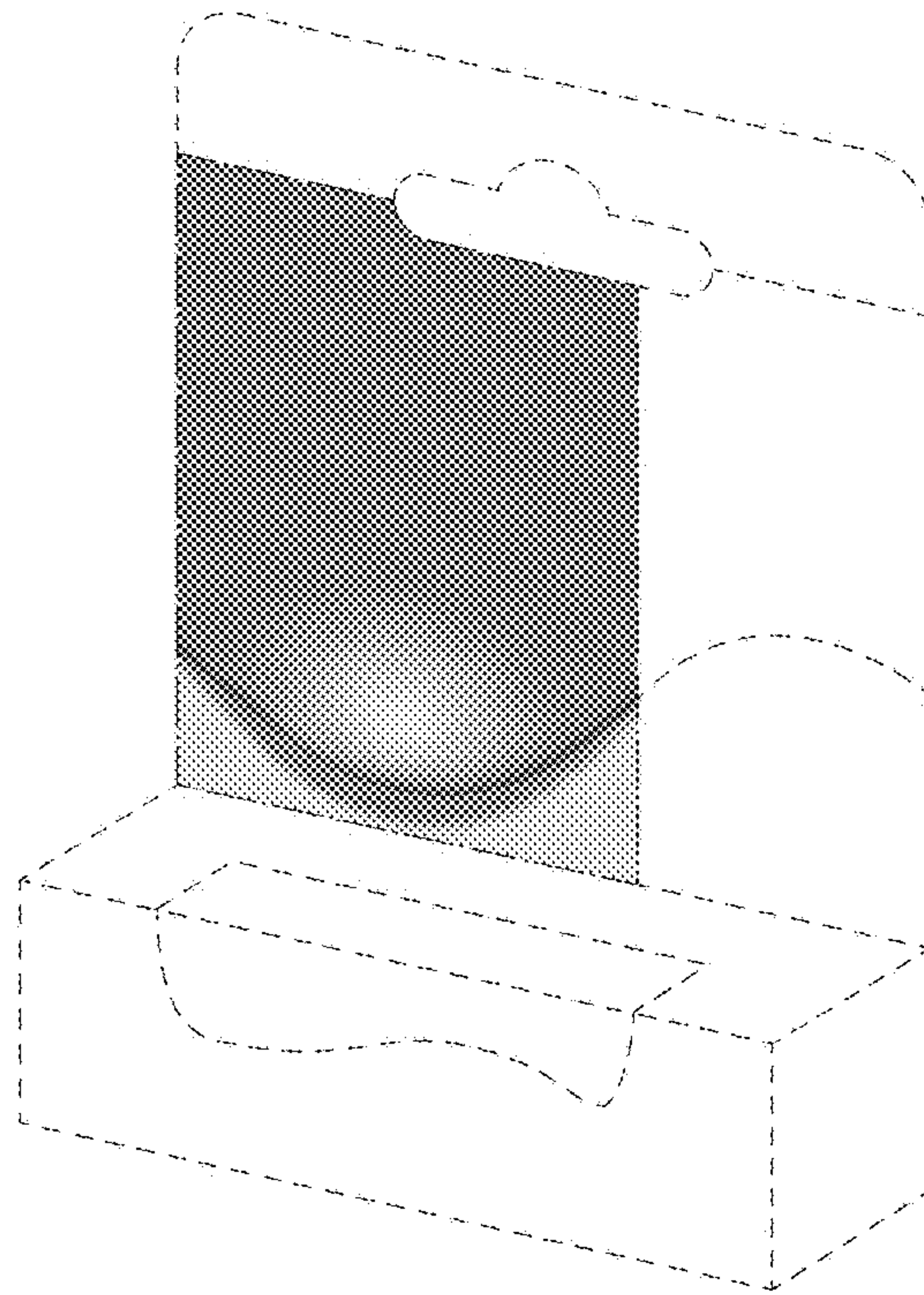


FIG. 8

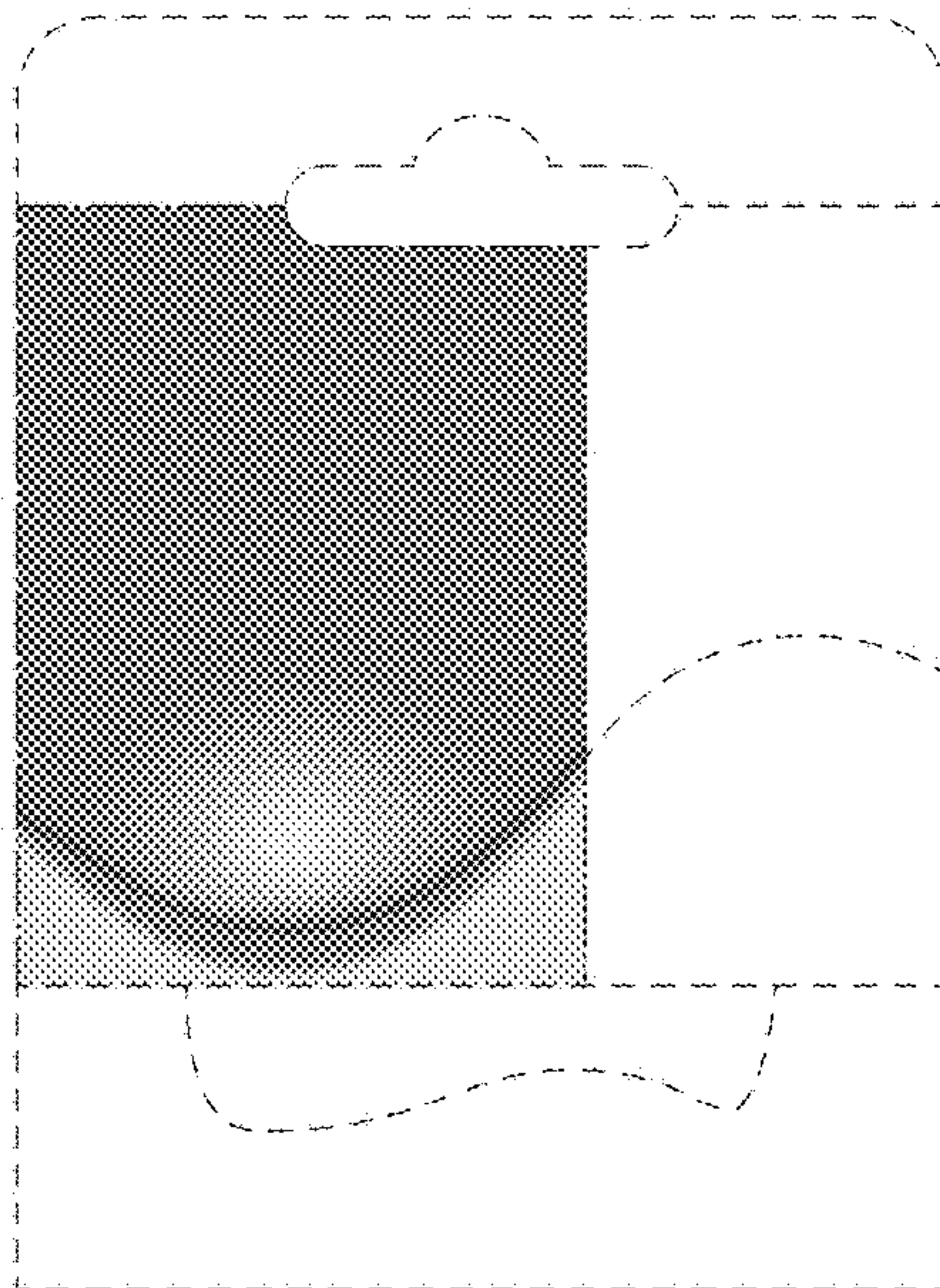


FIG. 9

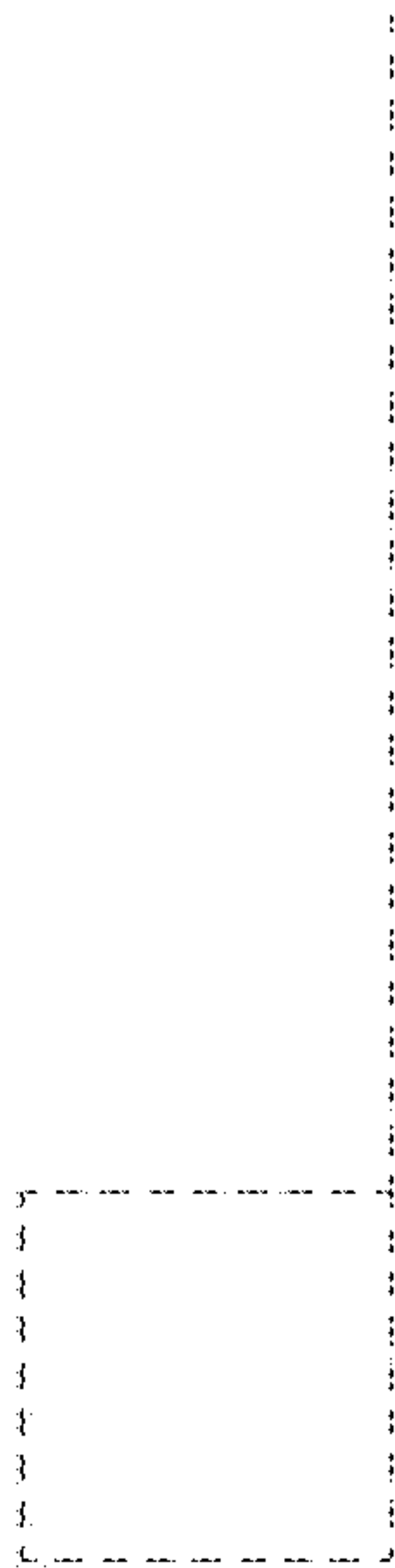


FIG. 10

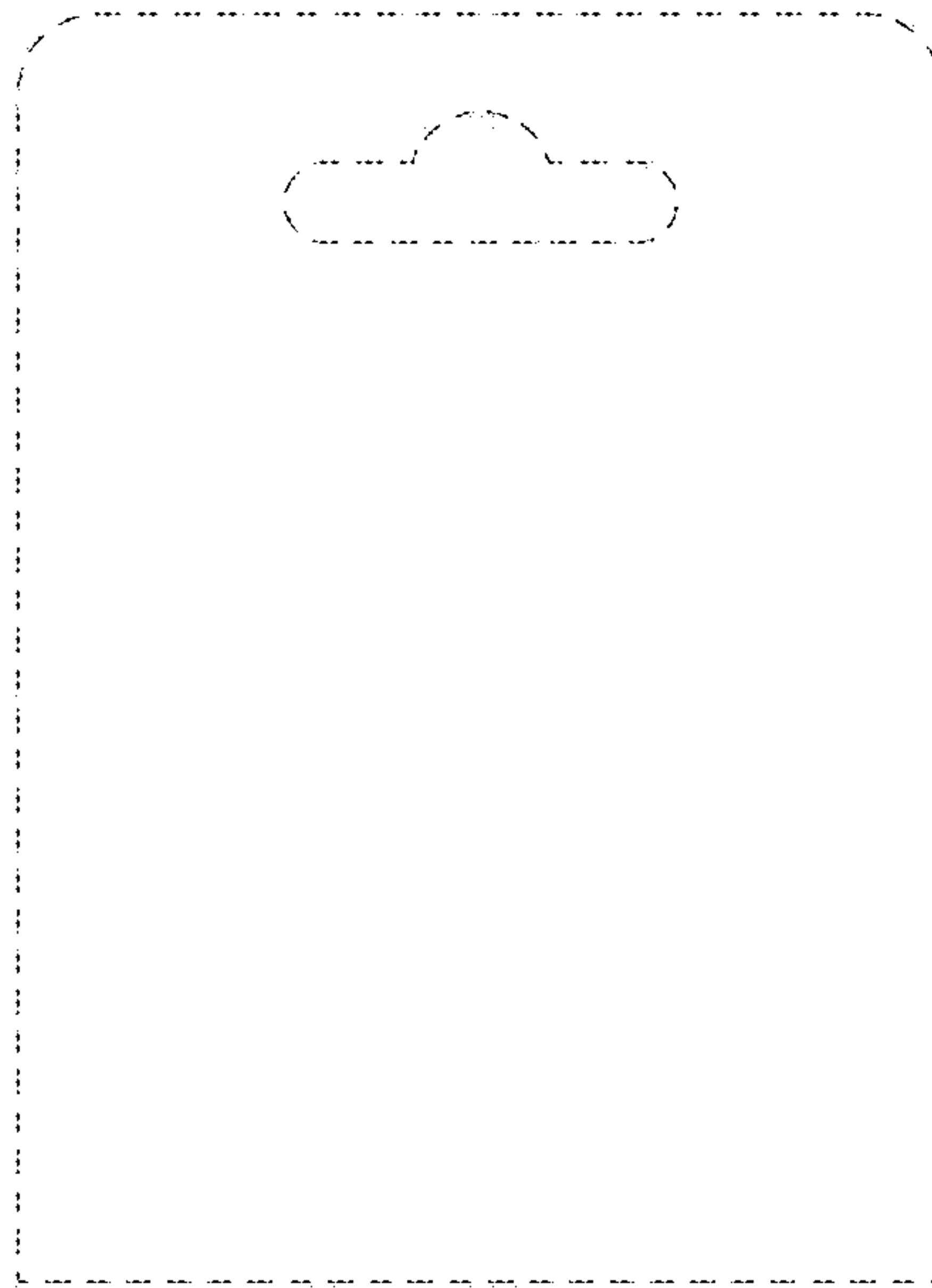


FIG. 11

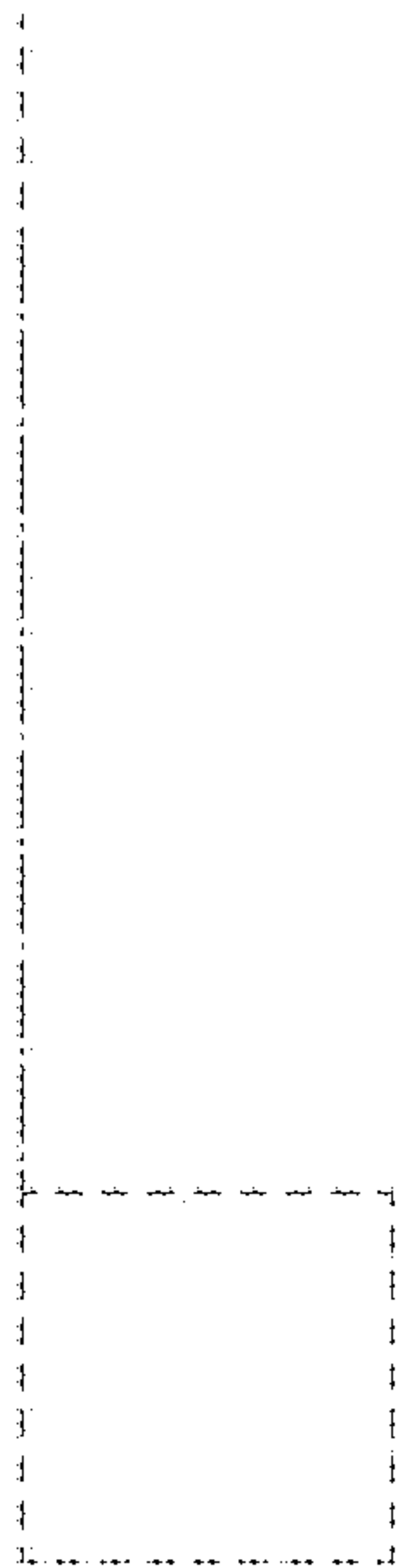


FIG. 12

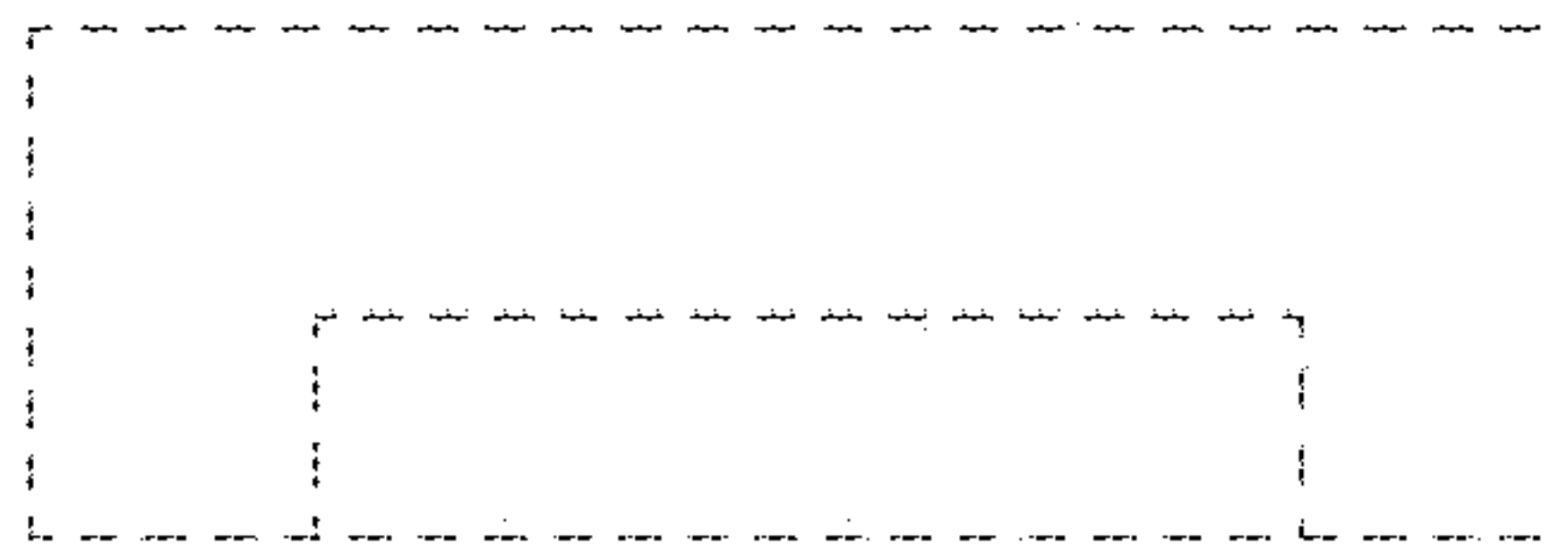


FIG. 13

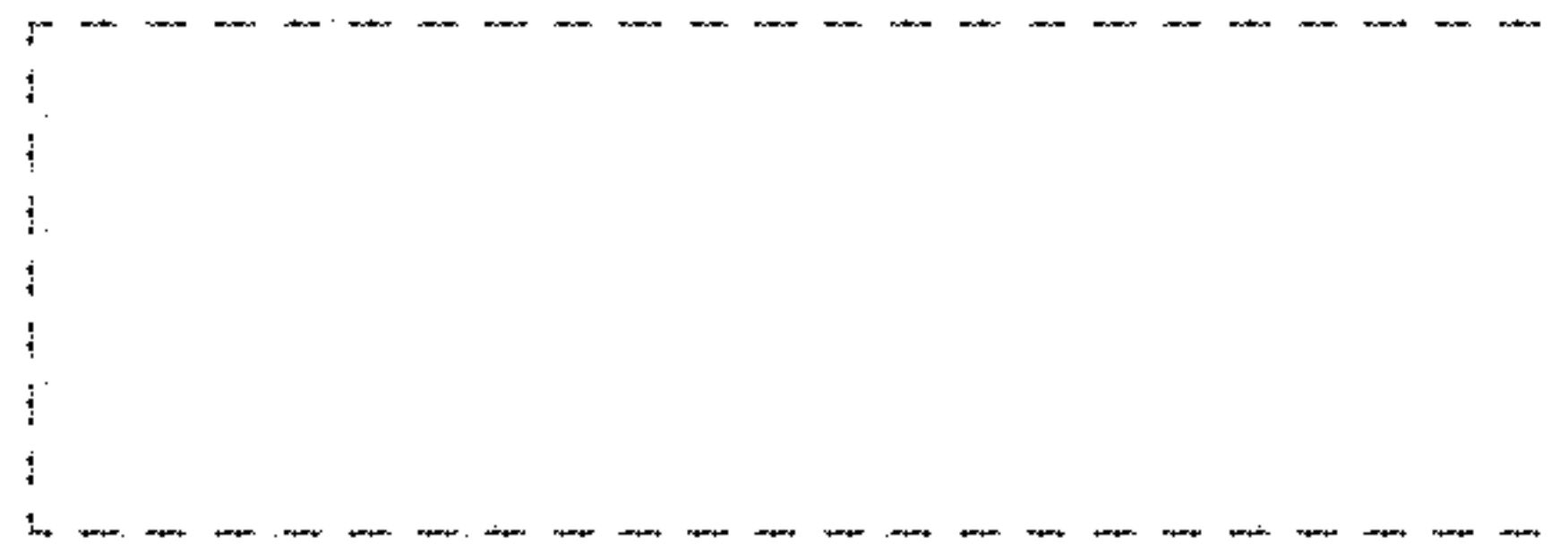


FIG. 14

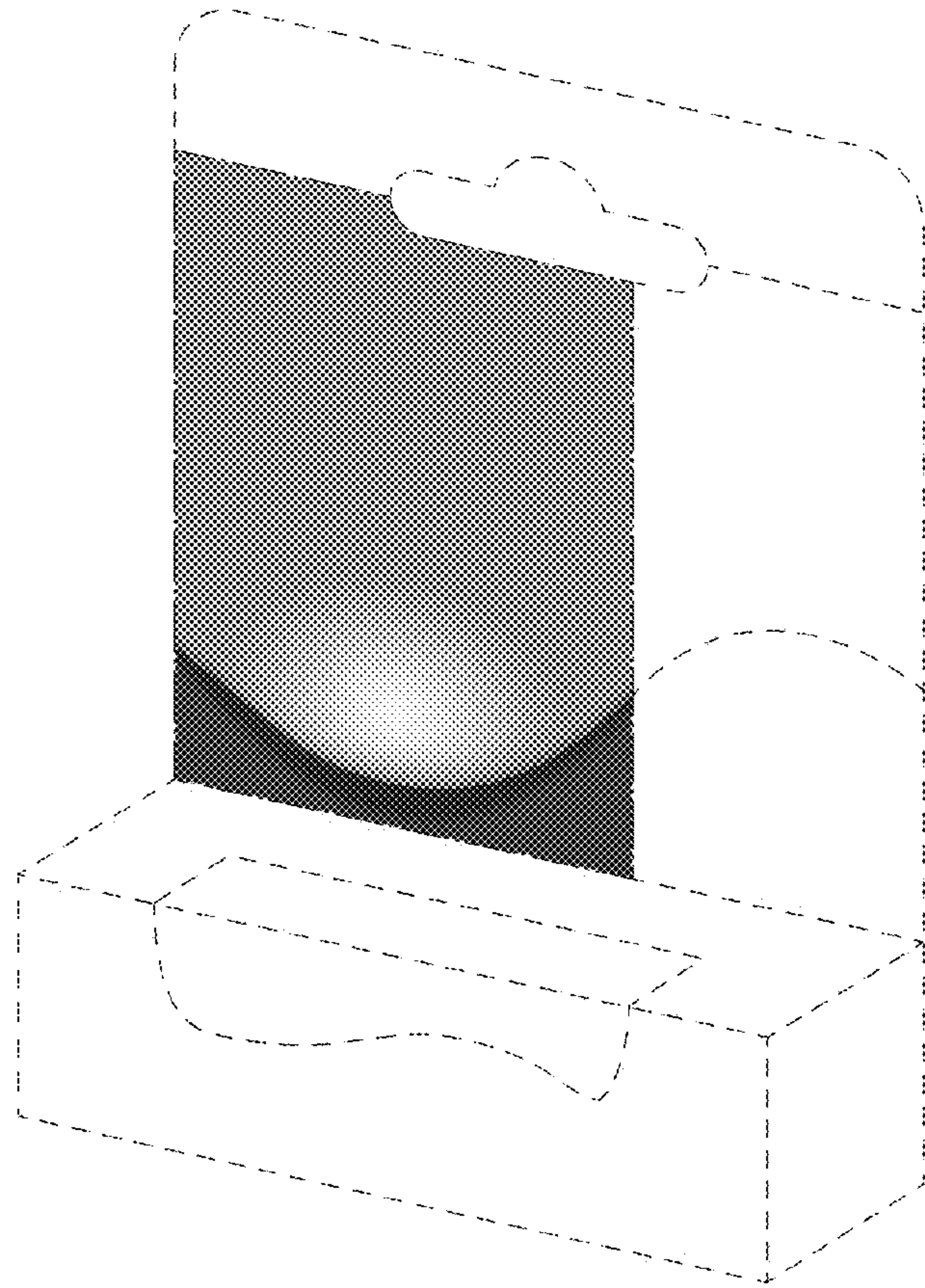


FIG. 15

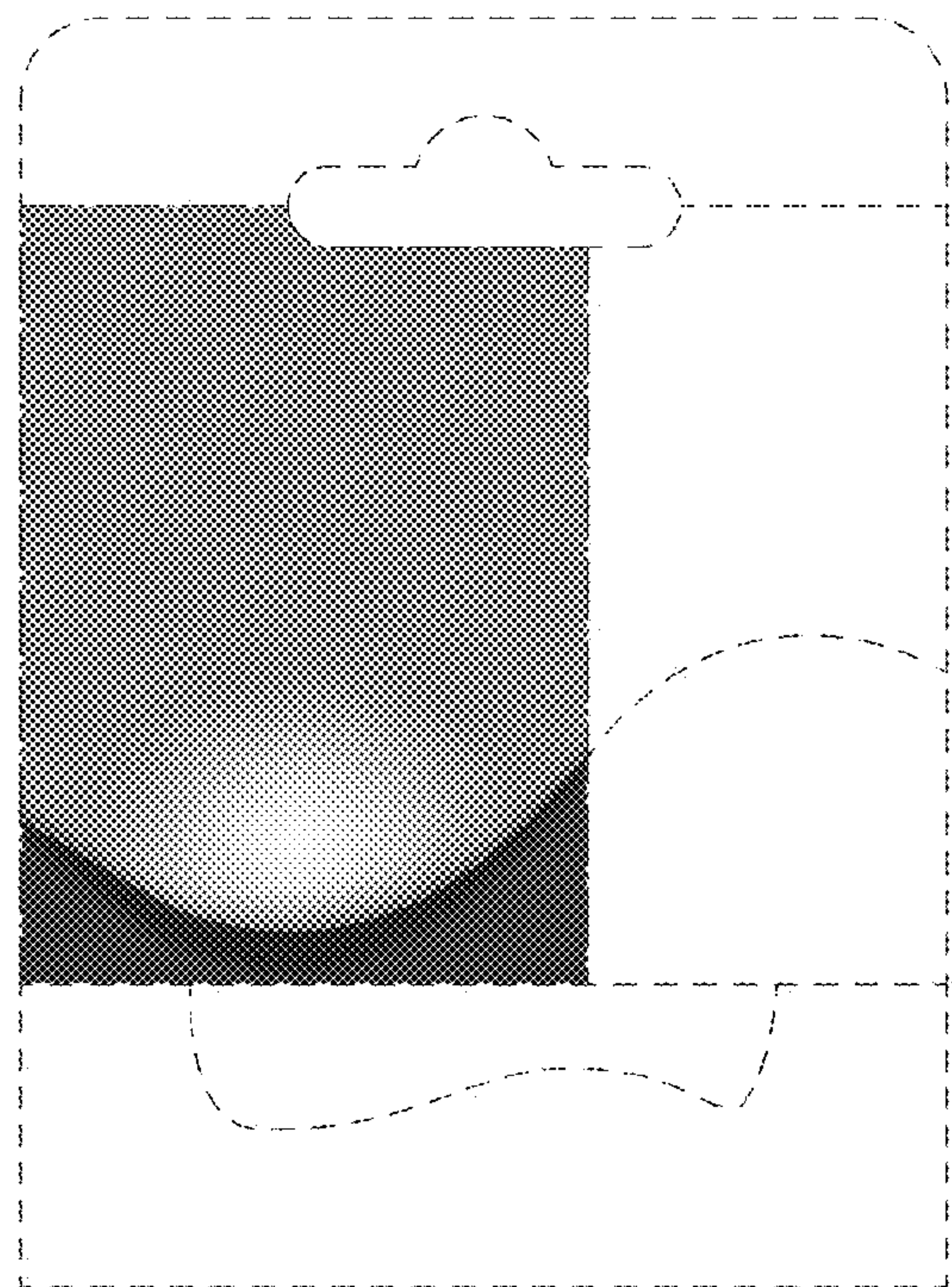


FIG. 16

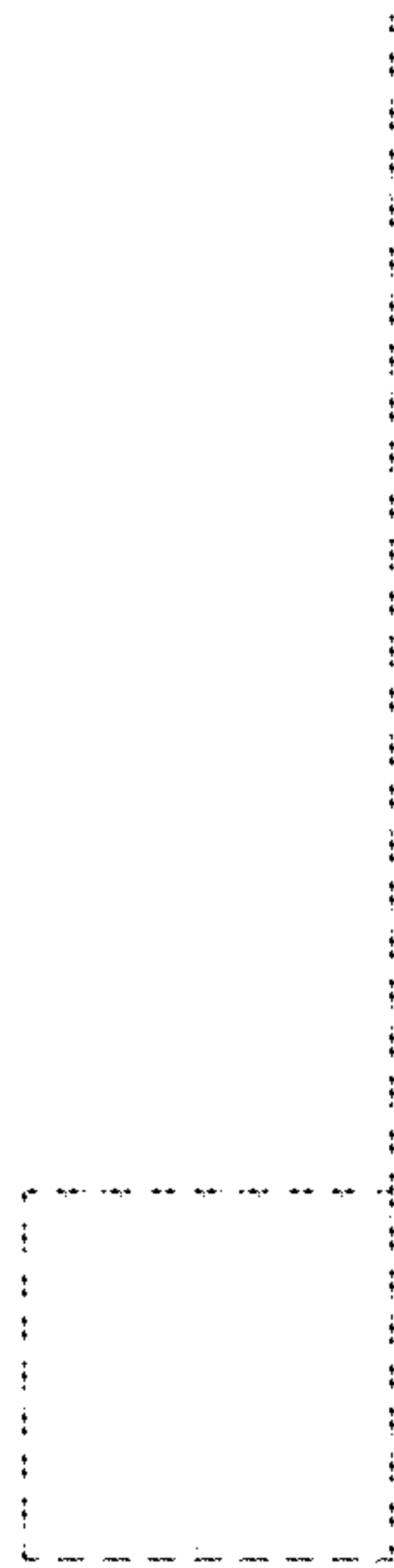


FIG. 17

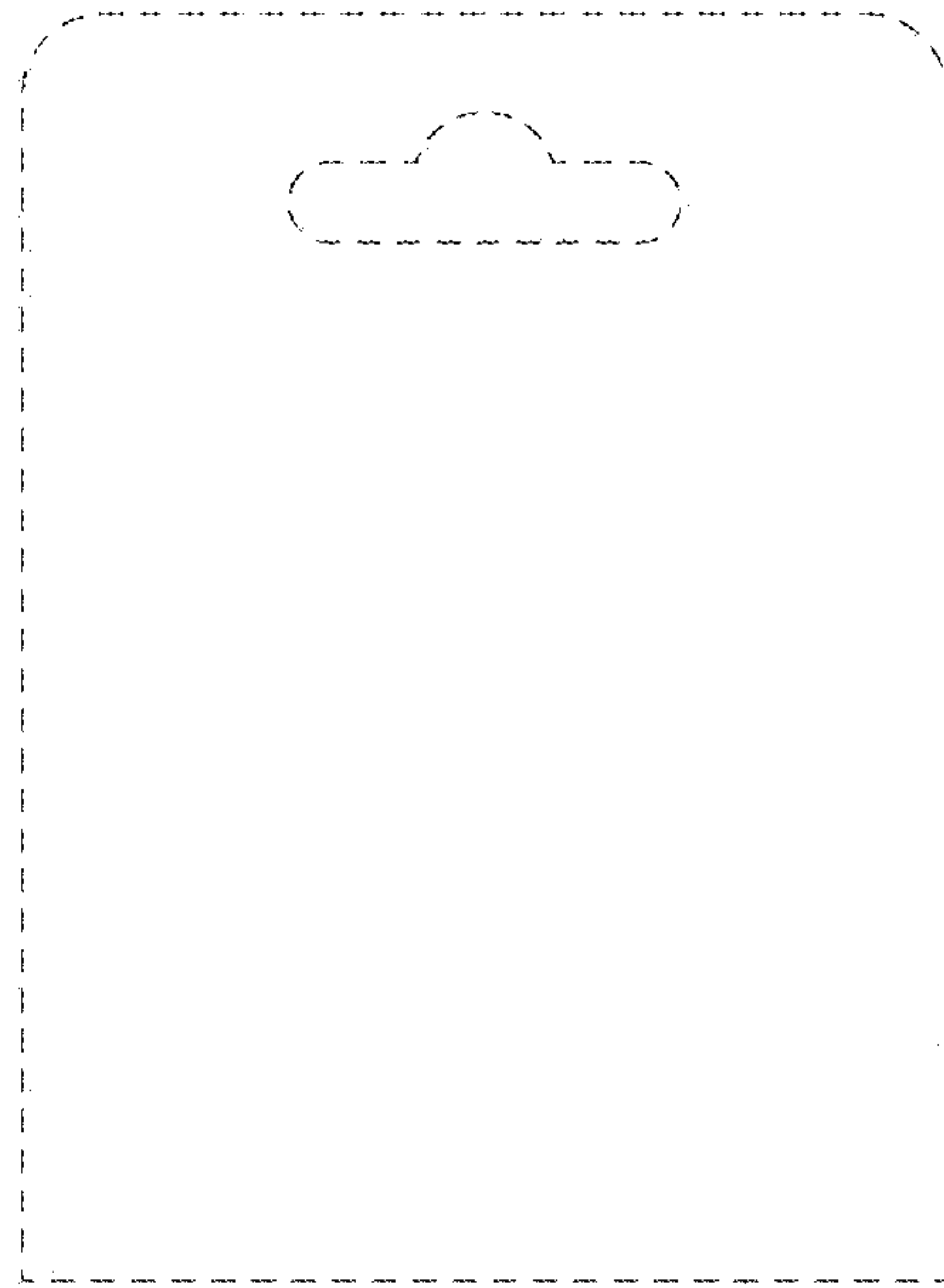


FIG. 18

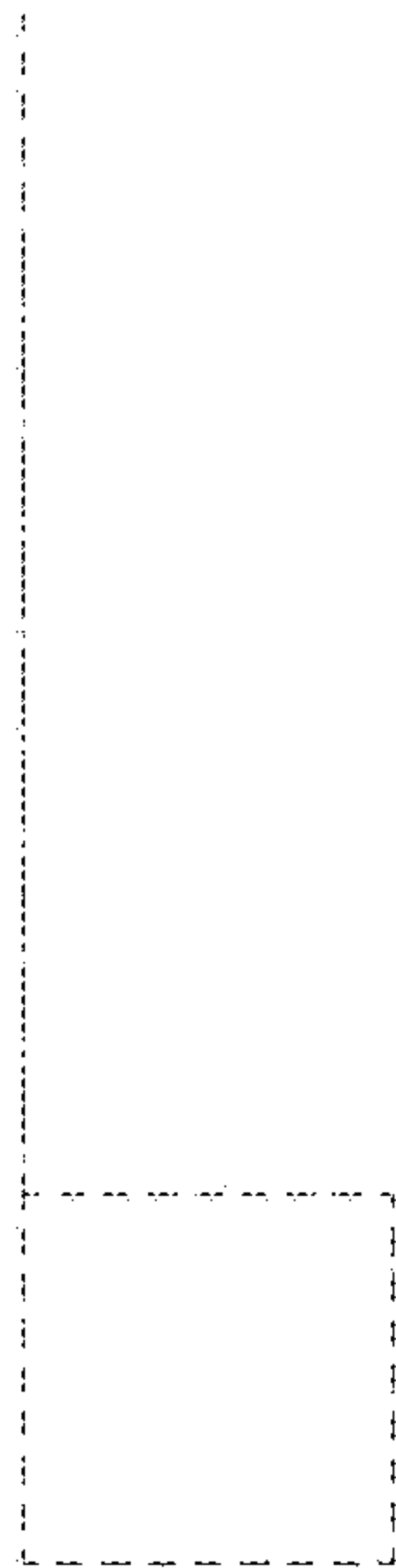


FIG. 19

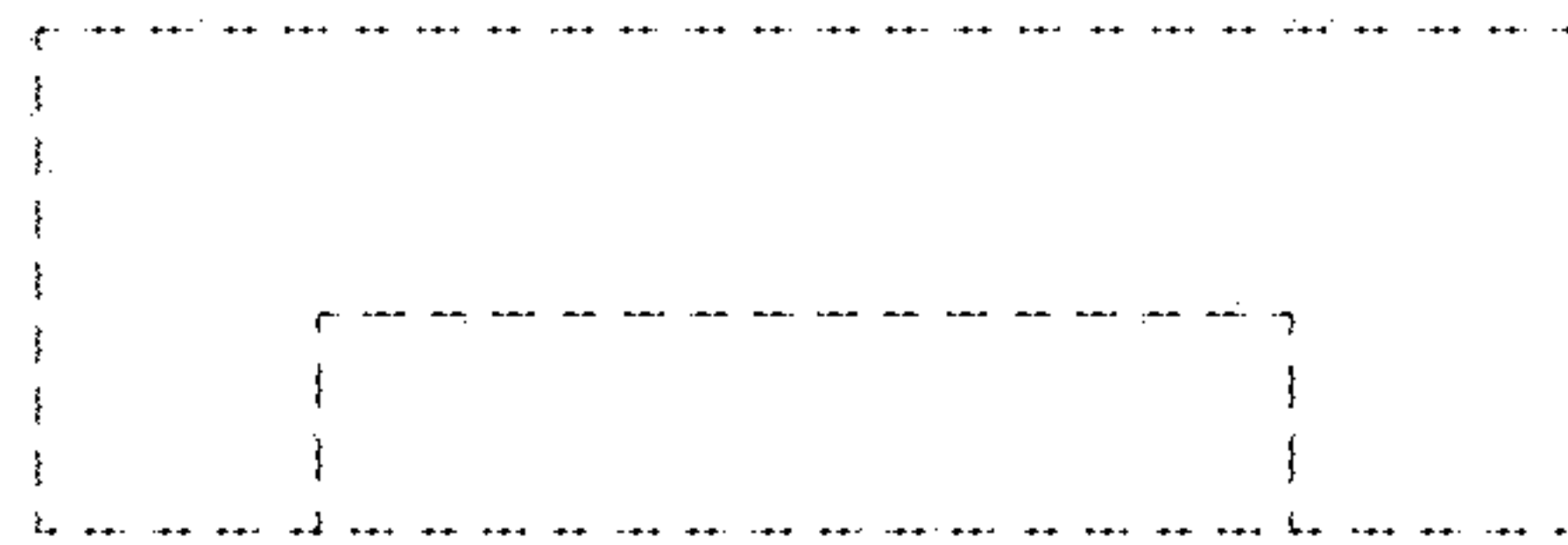


FIG. 20



FIG. 21