



US00D863953S

(12) **United States Design Patent**
Schnakenberg et al.

(10) **Patent No.:** **US D863,953 S**

(45) **Date of Patent:** **** Oct. 22, 2019**

(54) **CIGARETTE PACK**

(71) Applicant: **Focke & Co. (GmbH & Co. KG)**,
Verden (DE)

(72) Inventors: **Jan Schnakenberg**, Blender (DE);
Viktor Hein, Kirchlinteln-Luttum (DE)

(73) Assignee: **Focke & Co. (GmbH & Co. KG)**,
Verden (DE)

(**) Term: **15 Years**

(21) Appl. No.: **29/573,897**

(22) Filed: **Aug. 10, 2016**

(30) **Foreign Application Priority Data**

Feb. 29, 2016 (WO) DM089735

(51) **LOC (12) Cl.** **09-03**

(52) **U.S. Cl.**
USPC **D9/423**

(58) **Field of Classification Search**
USPC D9/414-418, 420-425, 430-434, 737,
D9/761; D27/186-191, 756
CPC A24F 15/12; B65D 5/38; B65D 55/66;
B65D 85/1045; B65D 5/6691
See application file for complete search history.

(56) **References Cited**

U.S. PATENT DOCUMENTS

- 4,300,676 A * 11/1981 Focke B65D 85/1045
206/264
- D296,938 S * 7/1988 Ameringen D27/189
- 4,852,734 A * 8/1989 Allen B65D 5/6691
206/273
- 5,749,462 A * 5/1998 Houghton B65D 85/1045
206/268
- D448,888 S * 10/2001 Focke D27/189
- 6,302,322 B1 * 10/2001 Focke B65D 85/1045
206/268

- 6,334,532 B1 * 1/2002 Tambo B65D 85/1045
206/268
- 6,478,149 B1 * 11/2002 Parker B65D 5/18
206/264
- 6,505,735 B1 * 1/2003 Parker B65D 75/5838
206/265

(Continued)

Primary Examiner — Sandra S Snapp

Assistant Examiner — Mehri F Bajoul

(74) *Attorney, Agent, or Firm* — Laurence P. Colton;
Smith Tempel Blaha LLC

(57) **CLAIM**

The ornamental design for a cigarette pack, as shown and described.

DESCRIPTION

FIG. 1 is a top front perspective view of a first embodiment of a cigarette pack of the present design.

FIG. 2 is a bottom rear perspective view of the design of FIG. 1.

FIG. 3 is a front view of the design of FIG. 1.

FIG. 4 is a rear view of the design of FIG. 1.

FIG. 5 is a right side view of the design of FIG. 1.

FIG. 6 is a left side view of the design of FIG. 1.

FIG. 7 is a top view of the design of FIG. 1.

FIG. 8 is a bottom view of the design of FIG. 1.

FIG. 9 is a top front perspective view of a second embodiment of a cigarette pack of the present design.

FIG. 10 is a bottom rear perspective view of the design of FIG. 9.

FIG. 11 is a front view of the design of FIG. 9.

FIG. 12 is a rear view of the design of FIG. 9.

FIG. 13 is a right side view of the design of FIG. 9.

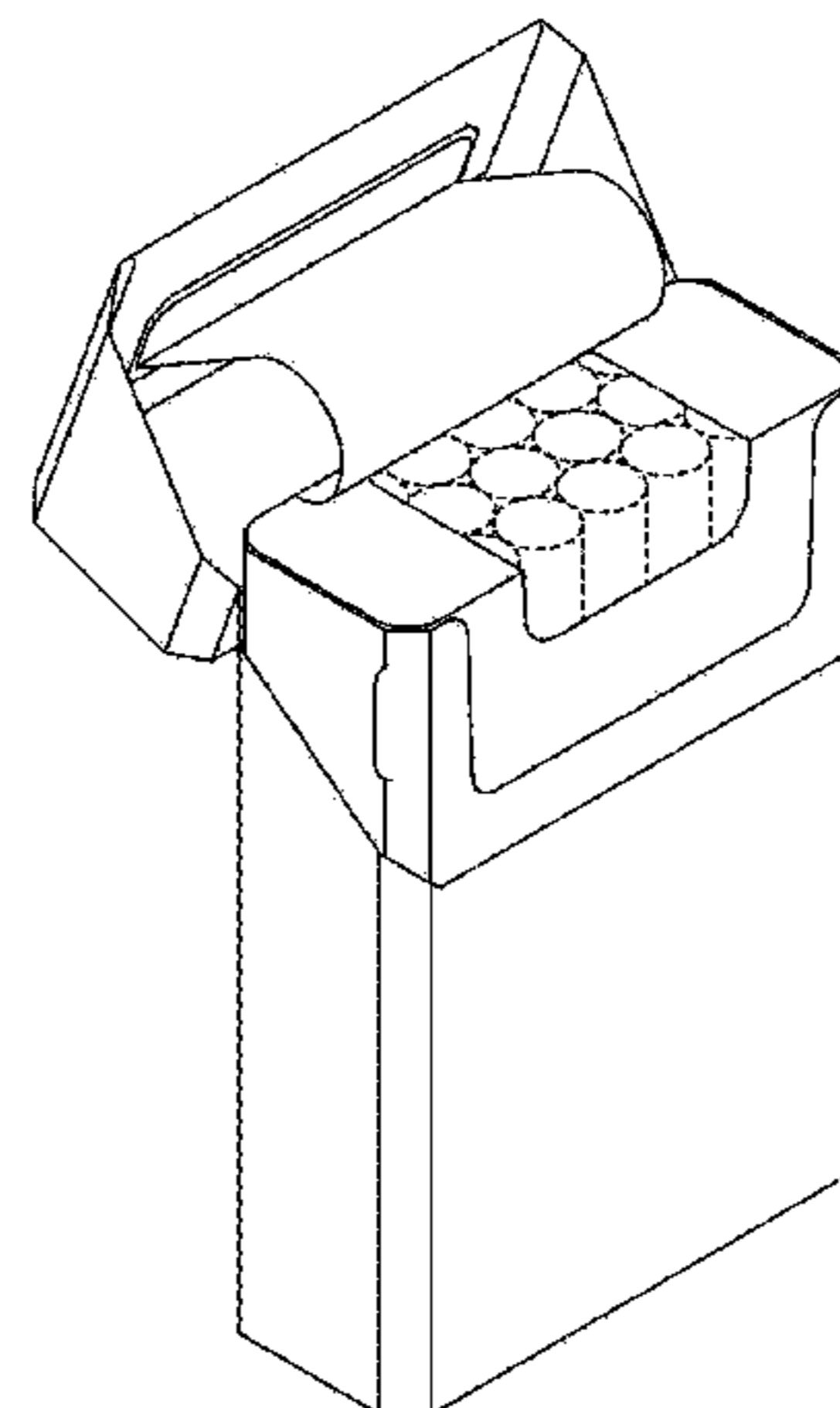
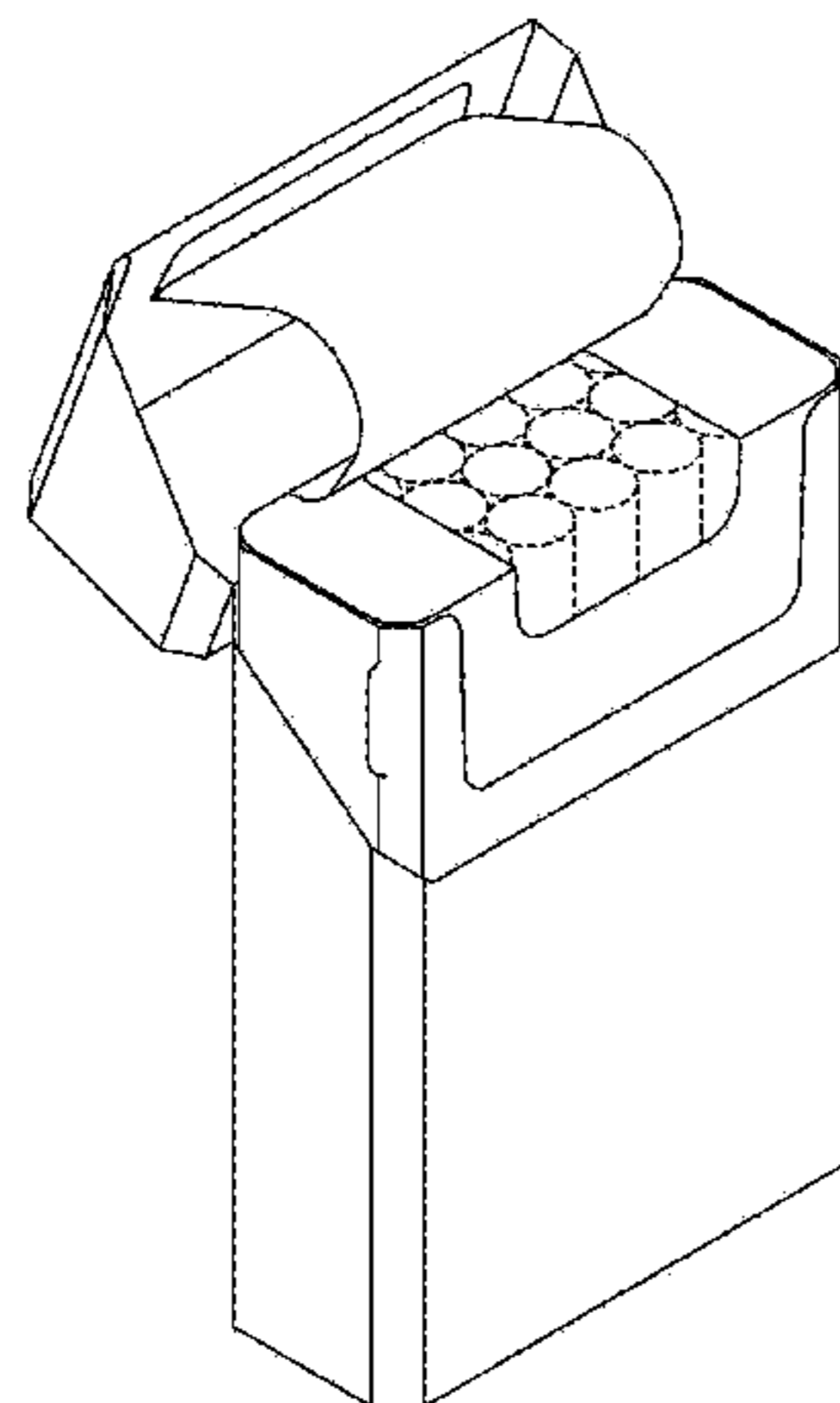
FIG. 14 is a left side view of the design of FIG. 9.

FIG. 15 is a top view of the design of FIG. 9; and,

FIG. 16 is a bottom view of the design of FIG. 9.

The broken line showing of cigarettes and of crease lines in the drawings form no part of the claimed design.

1 Claim, 16 Drawing Sheets



(56)

References Cited

U.S. PATENT DOCUMENTS

D472,013 S * 3/2003 Conti D27/189
 6,527,166 B1 * 3/2003 Focke B65D 85/1045
 D479,357 S * 9/2003 Focke D27/189
 D487,532 S * 3/2004 Draghetti D27/189
 6,719,131 B1 * 4/2004 Focke B65D 5/6691
 206/268
 6,742,651 B1 * 6/2004 Focke B65D 5/662
 206/268
 7,290,652 B2 * 11/2007 Rath B65D 75/5827
 206/242
 D575,636 S * 8/2008 Krautter D9/420
 D578,385 S * 10/2008 Ancona D9/423
 D579,325 S * 10/2008 Bray B65D 85/1045
 D9/423
 D590,249 S * 4/2009 Yanchev D9/421
 D591,900 S * 5/2009 McKenzie D27/189
 D594,596 S * 6/2009 Mitten D27/189
 D602,351 S * 10/2009 Toinet D9/423
 D613,903 S * 4/2010 Wu D27/189
 7,717,260 B2 * 5/2010 Buse B65D 85/1045
 206/242
 D662,411 S * 6/2012 Tearle D27/189
 D675,918 S * 2/2013 Holford D9/423
 8,608,051 B2 * 12/2013 Focke B65D 5/029
 206/259
 8,627,951 B2 * 1/2014 Buse B65D 5/38
 206/242
 D699,103 S * 2/2014 Rathbone D9/418
 8,875,878 B2 * 11/2014 Young B65D 5/6691
 206/268
 9,499,331 B2 * 11/2016 Seyfferth De Oliveira
 B65D 85/1045
 9,533,821 B2 * 1/2017 Buse B65B 19/025
 2003/0038044 A1 * 2/2003 Draghetti B65D 85/1081
 206/273
 2003/0047470 A1 * 3/2003 Parker B65D 5/18
 206/268
 2004/0035723 A1 * 2/2004 Franchini B65B 61/24
 206/261
 2004/0173668 A1 * 9/2004 Conti B65D 5/6685
 229/146
 2004/0178089 A1 * 9/2004 Draghetti B65D 85/1045
 206/242
 2004/0251148 A1 * 12/2004 Bernhard A24F 15/12
 206/242
 2005/0224375 A1 * 10/2005 Focke B65D 85/1045
 206/259
 2005/0252796 A1 * 11/2005 Sendo B65D 85/1045
 206/261
 2006/0091026 A1 * 5/2006 Mitten B65D 85/1045
 206/273
 2006/0157357 A1 * 7/2006 Serafini B65D 5/4204
 206/268

2006/0191986 A1 * 8/2006 Focke B65D 5/029
 229/146
 2006/0226208 A1 * 10/2006 Focke B65D 5/4266
 229/146
 2006/0278542 A1 * 12/2006 Pham B65D 85/1045
 206/268
 2008/0121538 A1 * 5/2008 Buse B65D 85/1045
 206/268
 2008/0230410 A1 * 9/2008 Steven Jones B65D 5/4291
 206/268
 2009/0255835 A1 * 10/2009 Pipes B65B 19/223
 206/273
 2009/0272660 A1 * 11/2009 England B65D 5/42
 206/268
 2010/0230303 A1 * 9/2010 Buse B65D 5/38
 206/268
 2010/0252462 A1 * 10/2010 Marchetti B65D 5/606
 206/268
 2011/0005948 A1 * 1/2011 Buse B65D 5/6691
 206/268
 2011/0068155 A1 * 3/2011 Yoshimura B65D 5/5425
 229/117.27
 2011/0084120 A1 * 4/2011 Biondi B65D 77/02
 229/87.13
 2011/0114518 A1 * 5/2011 Hein B65B 19/20
 206/268
 2011/0147443 A1 * 6/2011 Igo B65D 75/5838
 229/117.31
 2011/0155596 A1 * 6/2011 Holford B65D 5/6691
 206/261
 2011/0226640 A1 * 9/2011 Bertuzzi B65B 19/025
 206/265
 2012/0241339 A1 * 9/2012 Buse B65B 19/20
 206/268
 2013/0284623 A1 * 10/2013 Groulx B65D 5/6691
 206/268
 2013/0341219 A1 * 12/2013 Young B65D 5/6691
 206/261
 2014/0151251 A1 * 6/2014 Lena B65D 5/662
 206/268
 2015/0008150 A1 * 1/2015 Liu A24F 15/12
 206/268
 2015/0090618 A1 * 4/2015 Marchitto B65D 85/1045
 206/268
 2015/0305402 A1 * 10/2015 Bourgoin B65D 5/6691
 206/265
 2016/0001963 A1 * 1/2016 Hodges B65D 85/1045
 206/259
 2016/0016723 A1 * 1/2016 Hodges B65D 85/1045
 206/259
 2016/0229620 A1 * 8/2016 Steinkamp B65D 85/1045
 2016/0347537 A1 * 12/2016 Lutzig B65D 5/662
 2016/0368645 A1 * 12/2016 Buse B65B 61/184
 2017/0088341 A1 * 3/2017 Fallon B65D 85/1045
 2017/0107047 A1 * 4/2017 Ruthemeier B65D 85/1081

* cited by examiner

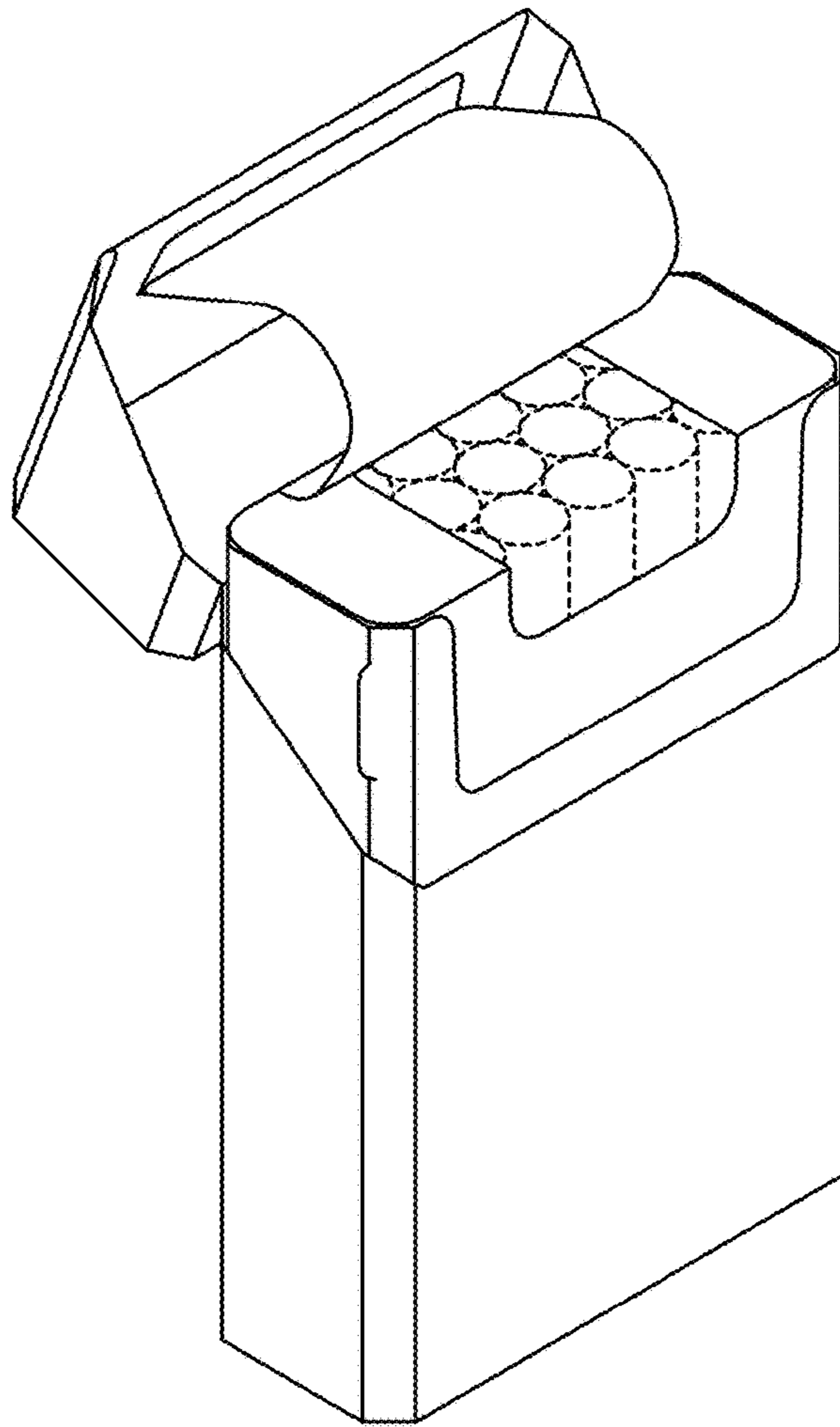


FIG. 1

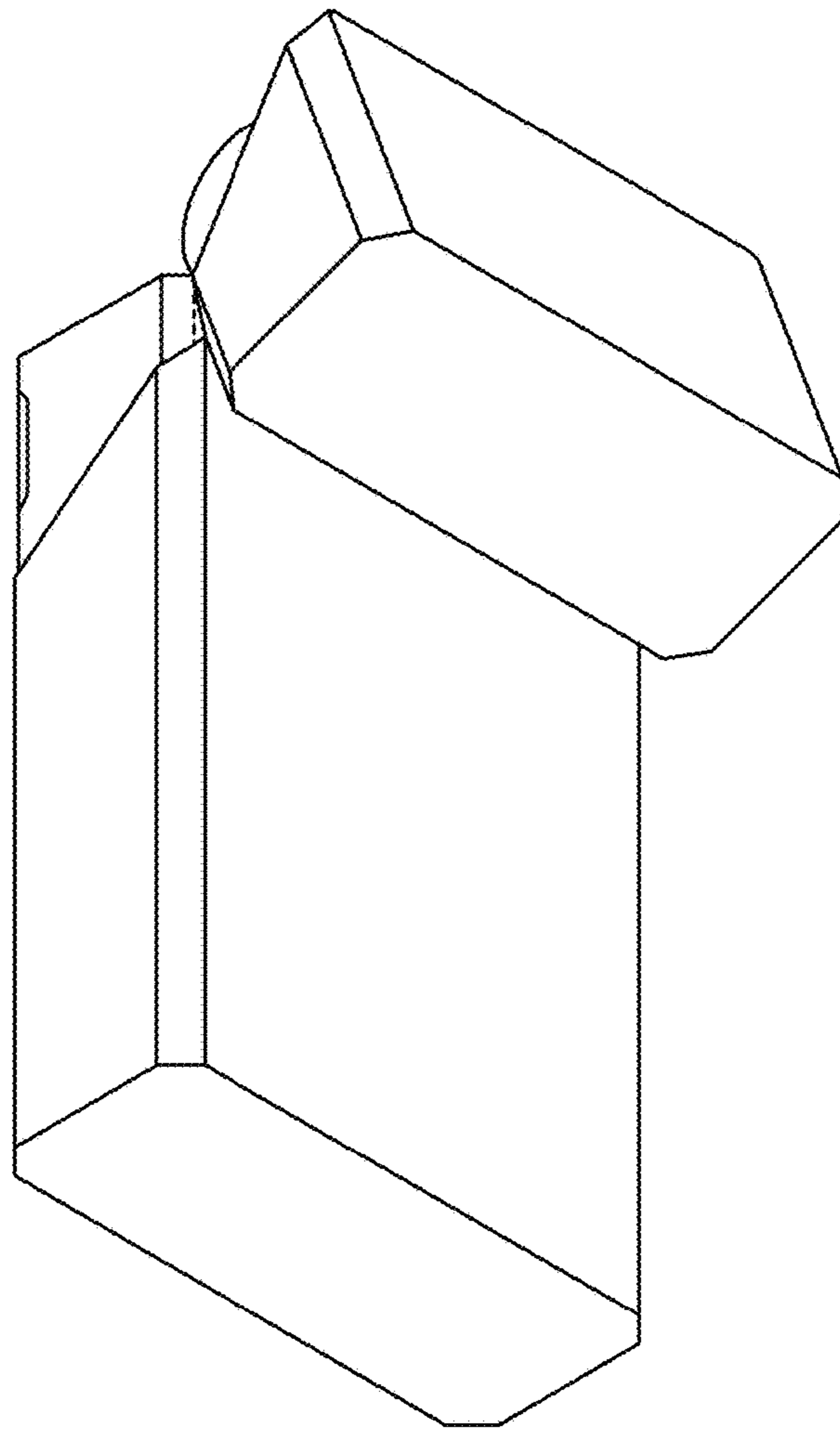


FIG. 2

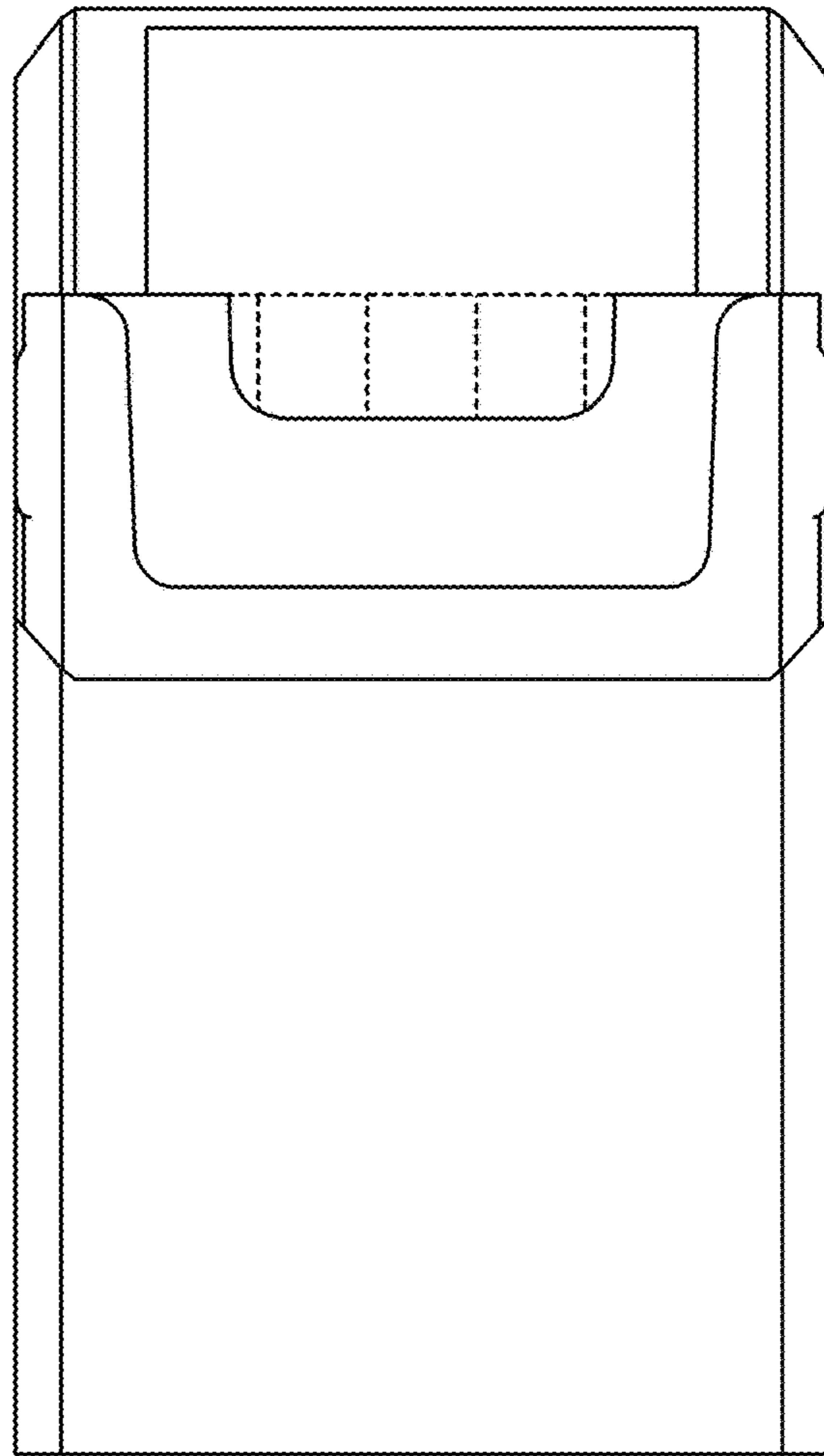


FIG. 3

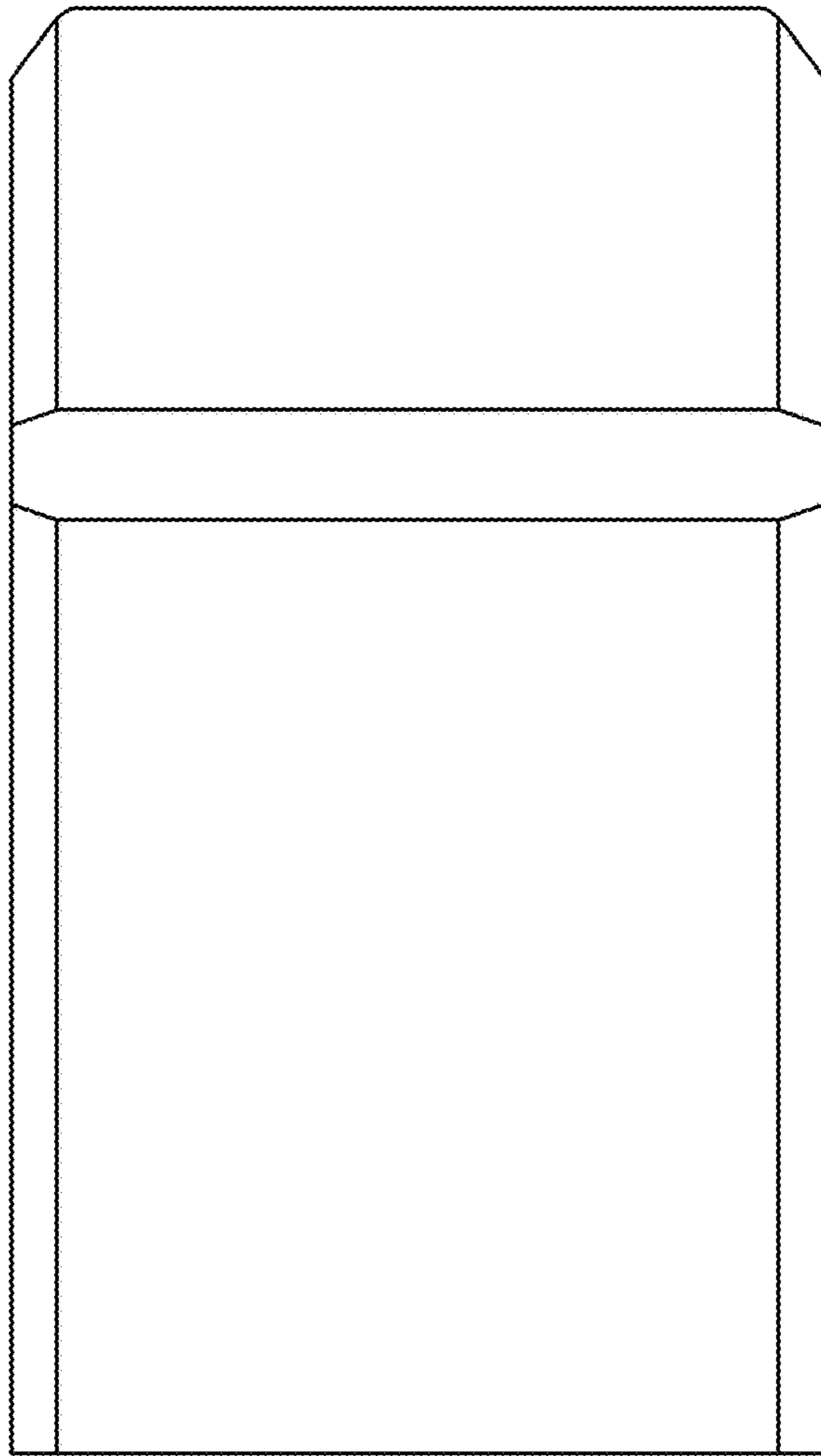


FIG. 4

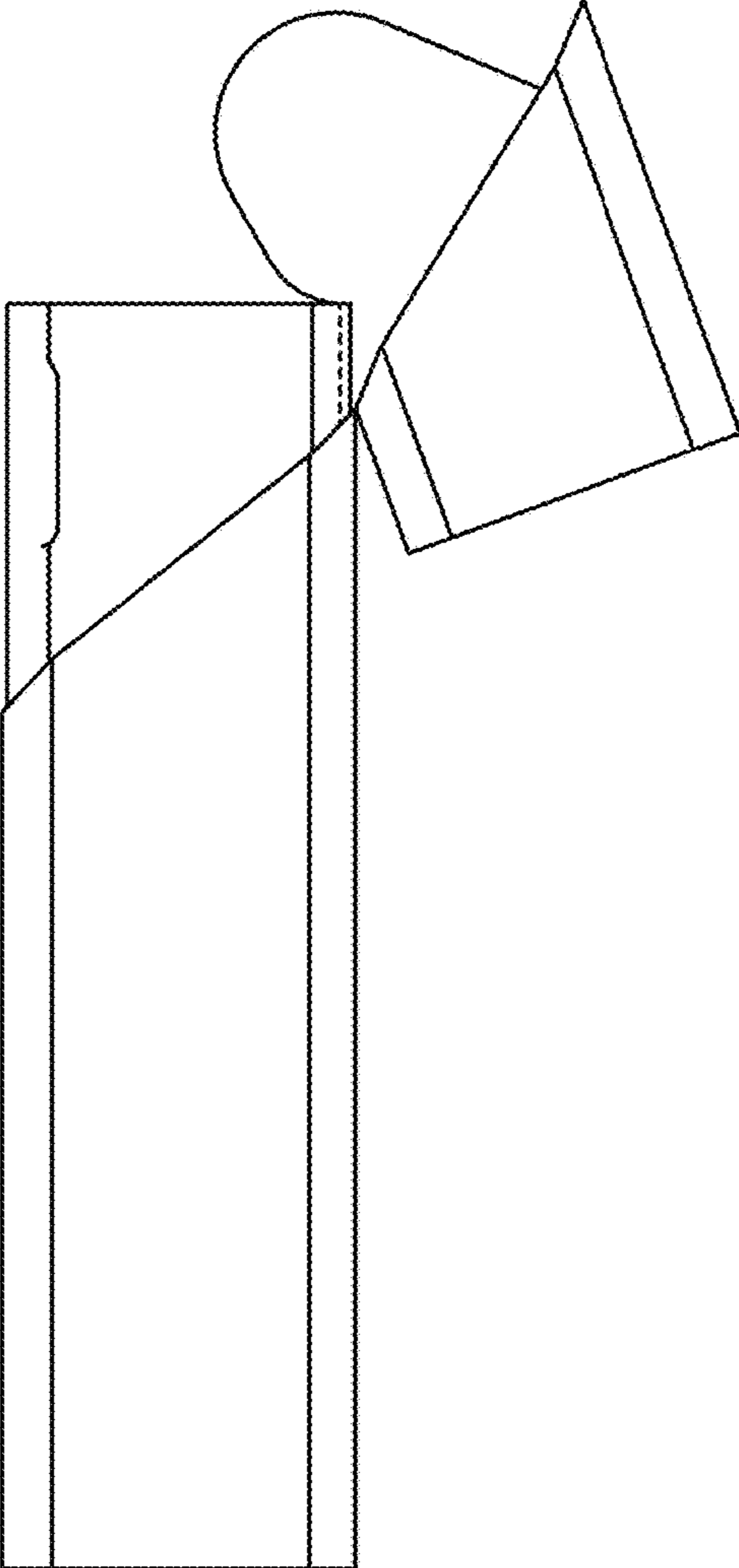


FIG. 5

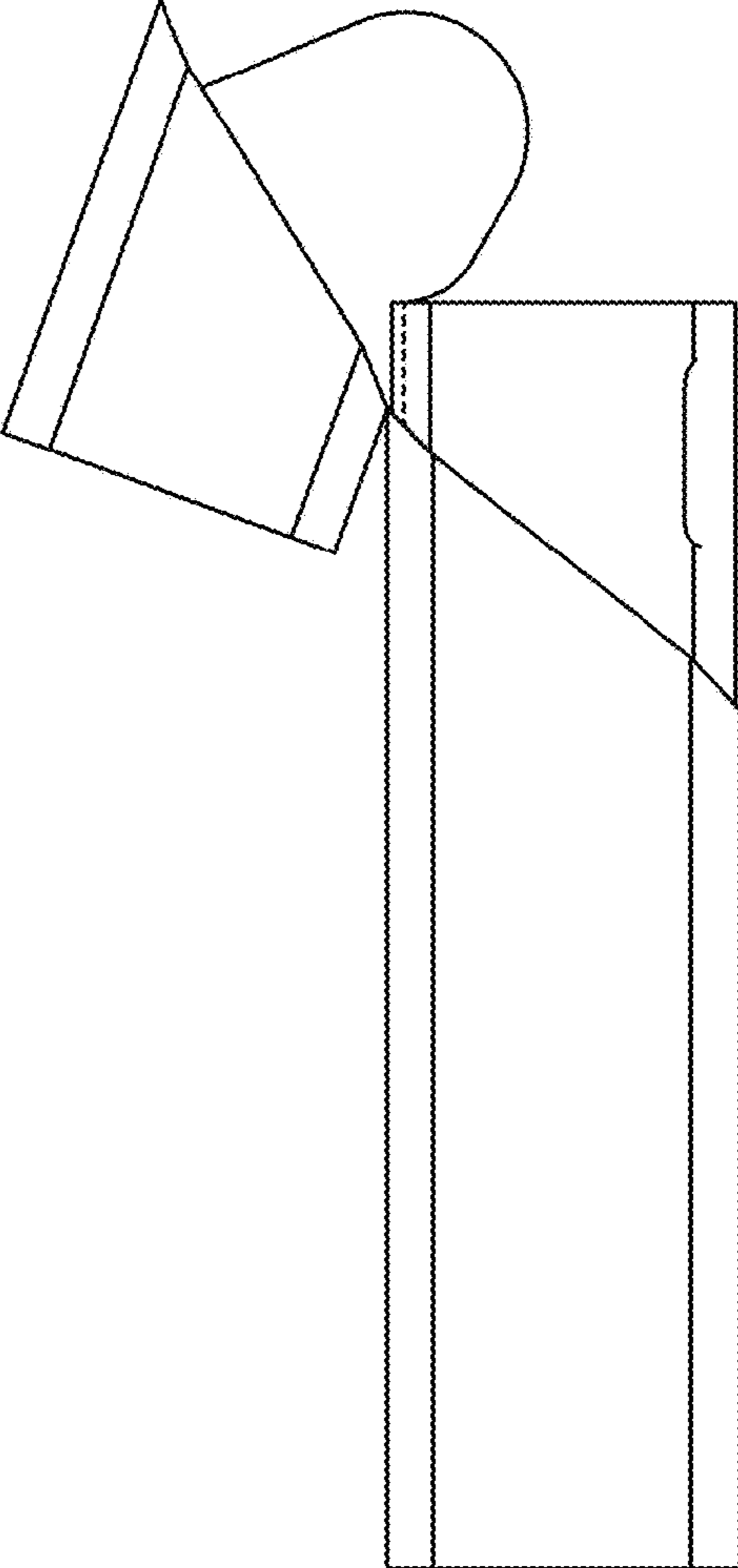


FIG. 6

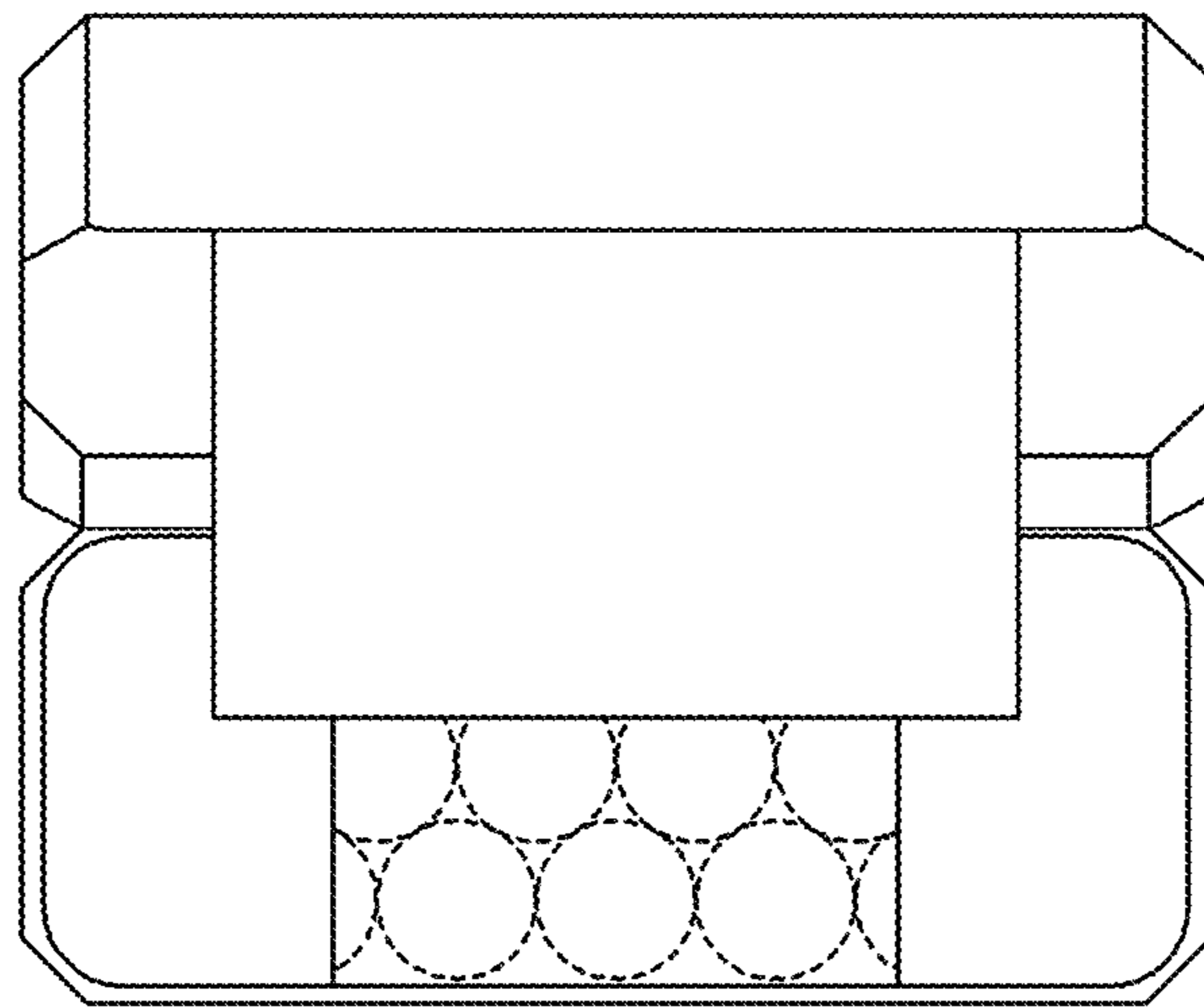


FIG. 7

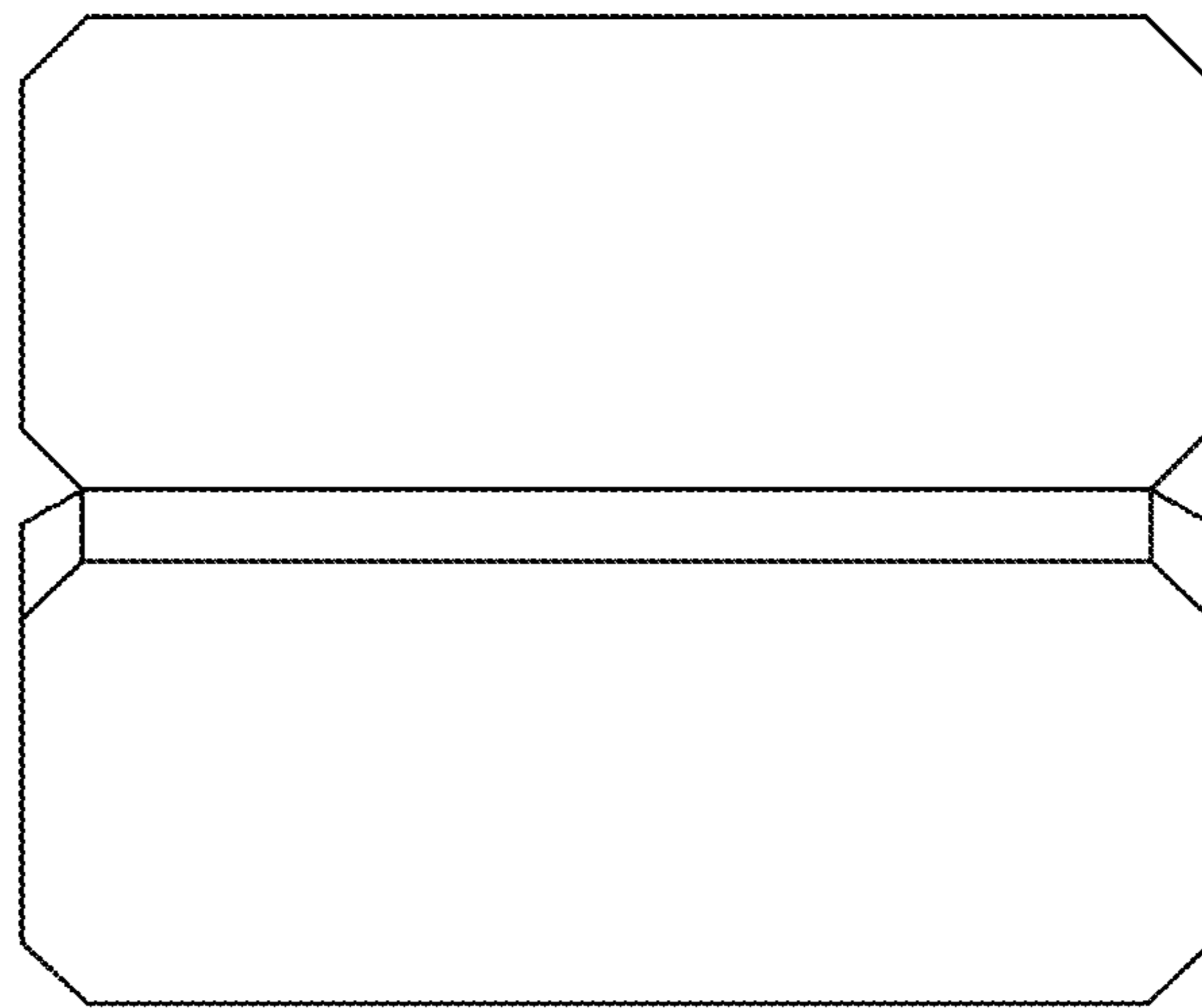


FIG. 8

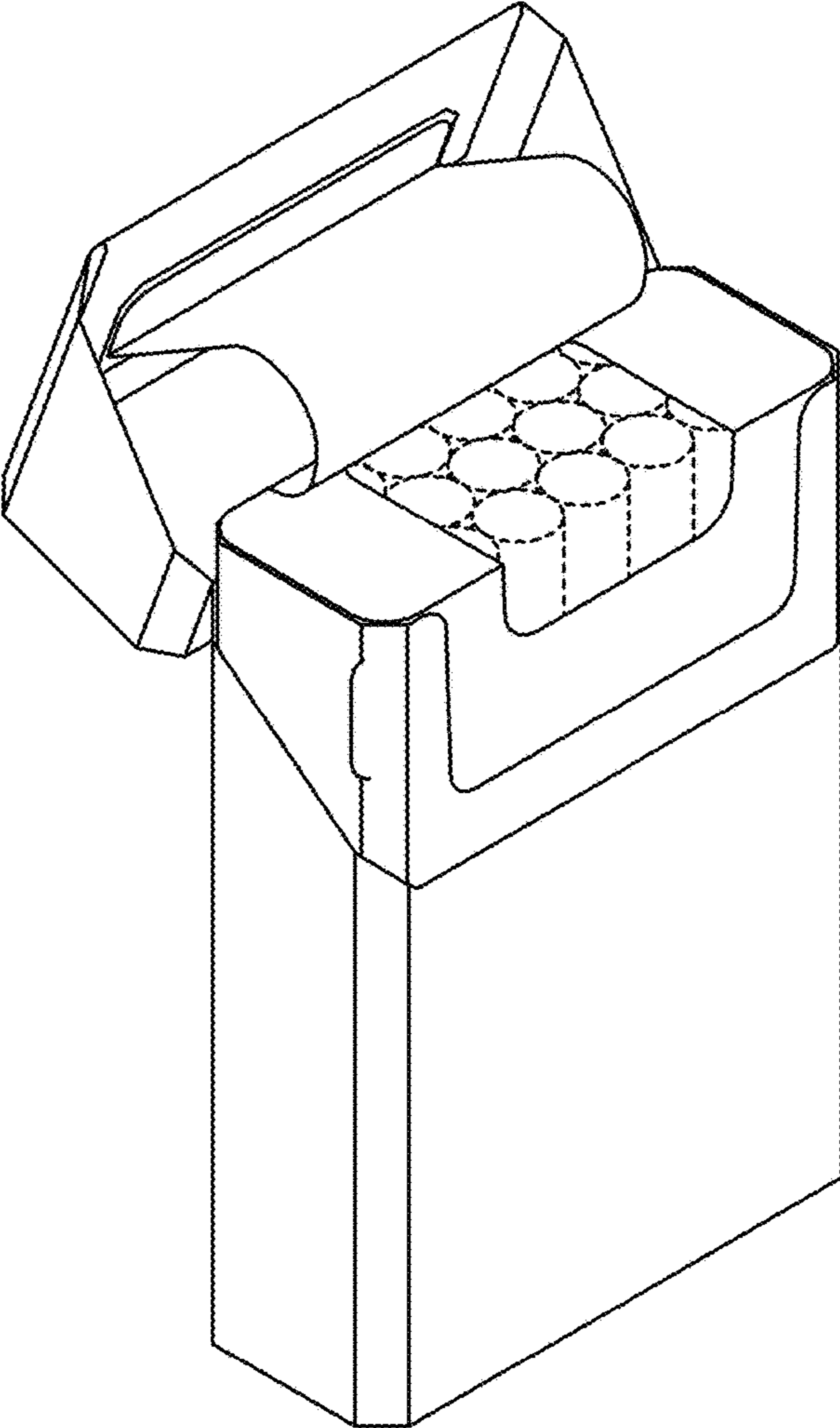


FIG. 9

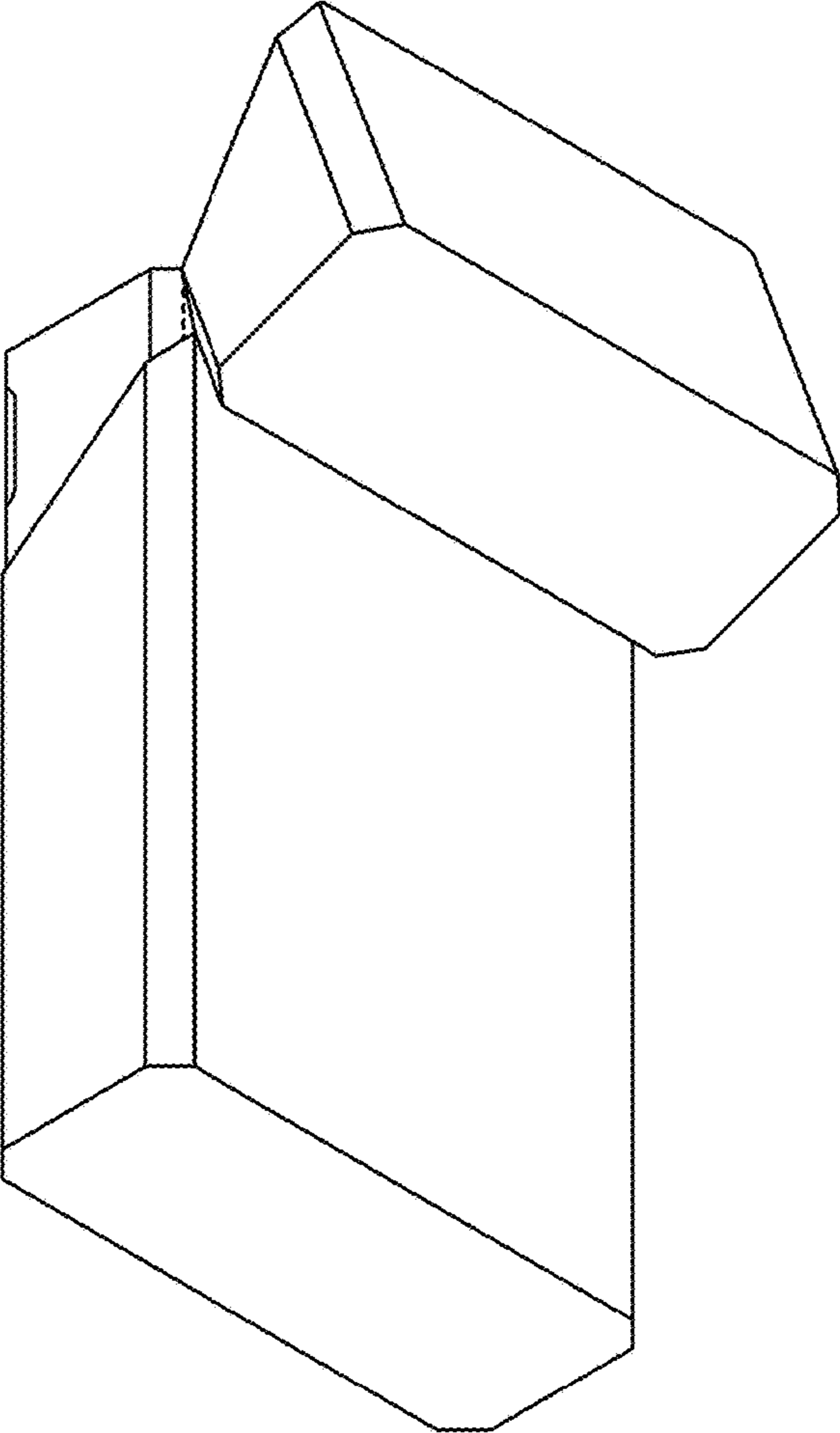


FIG. 10

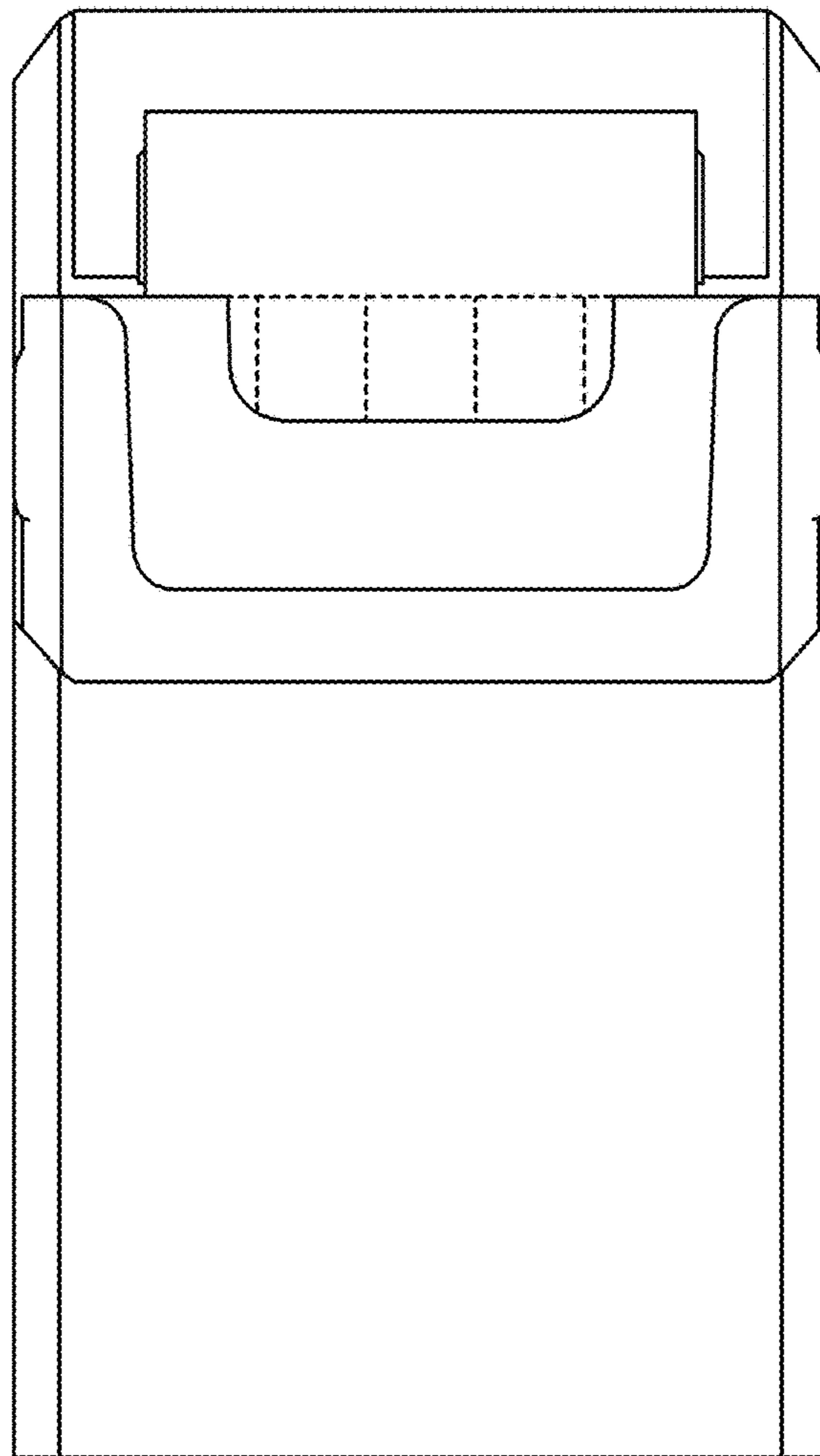


FIG. 11

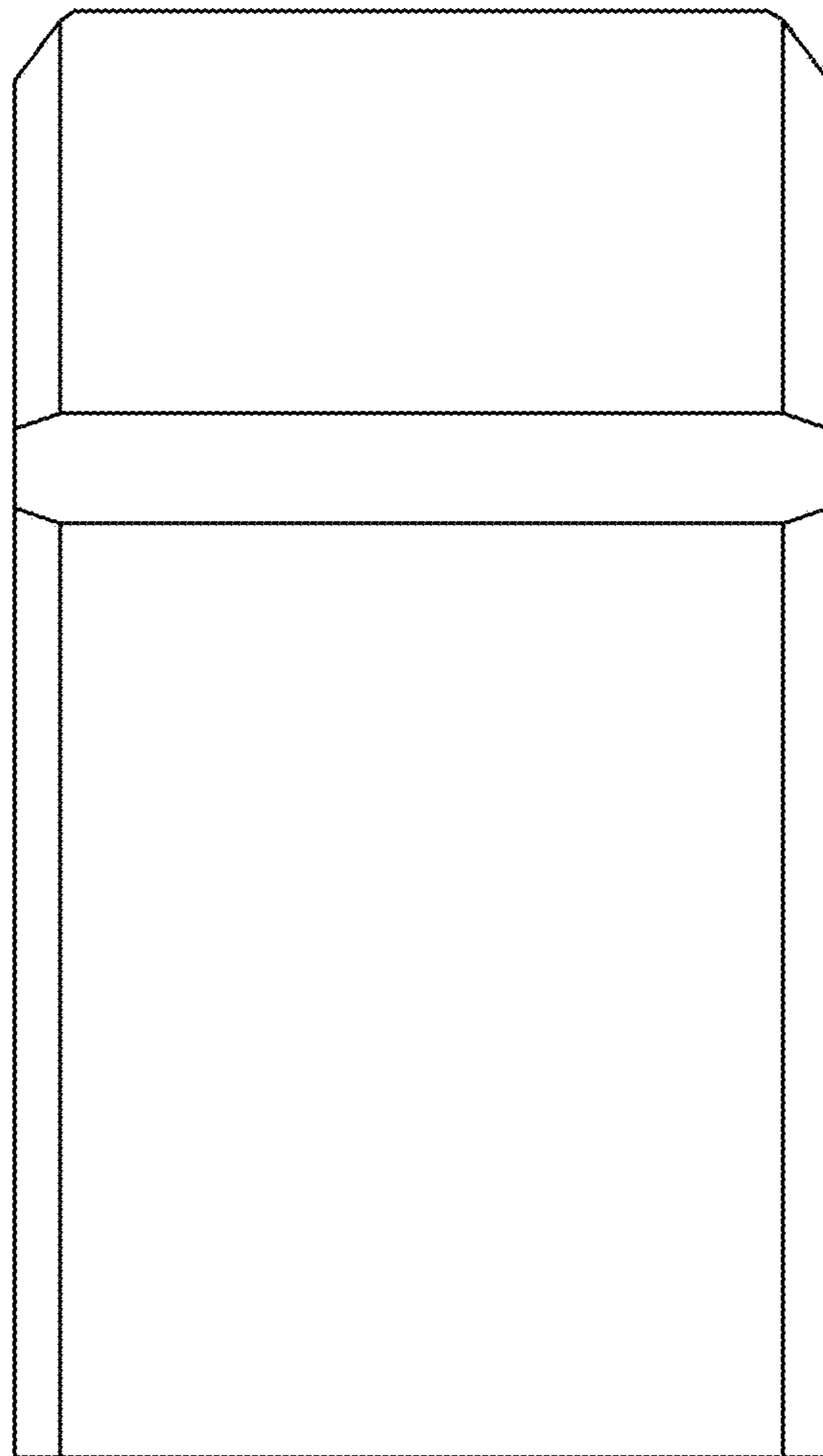


FIG. 12

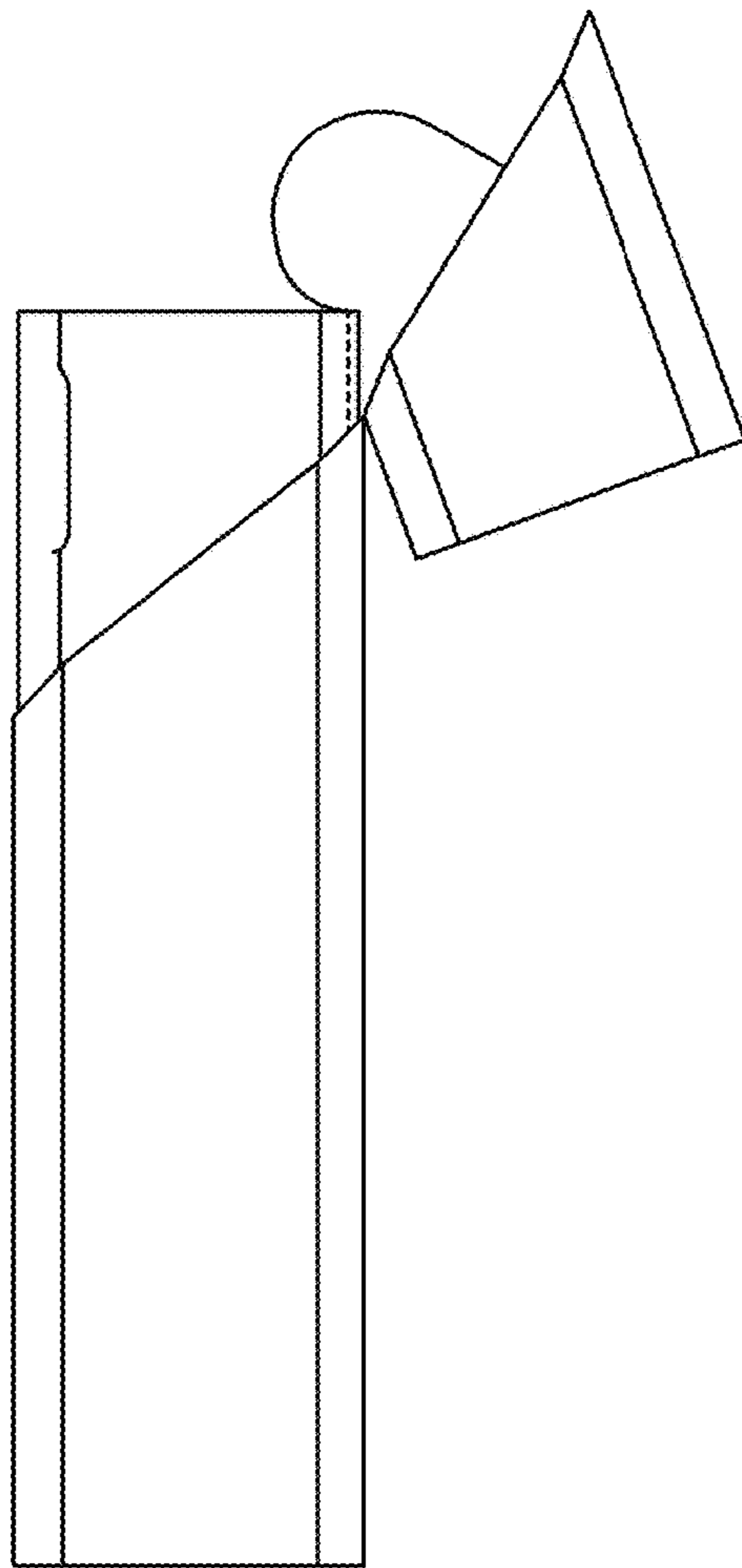


FIG. 13

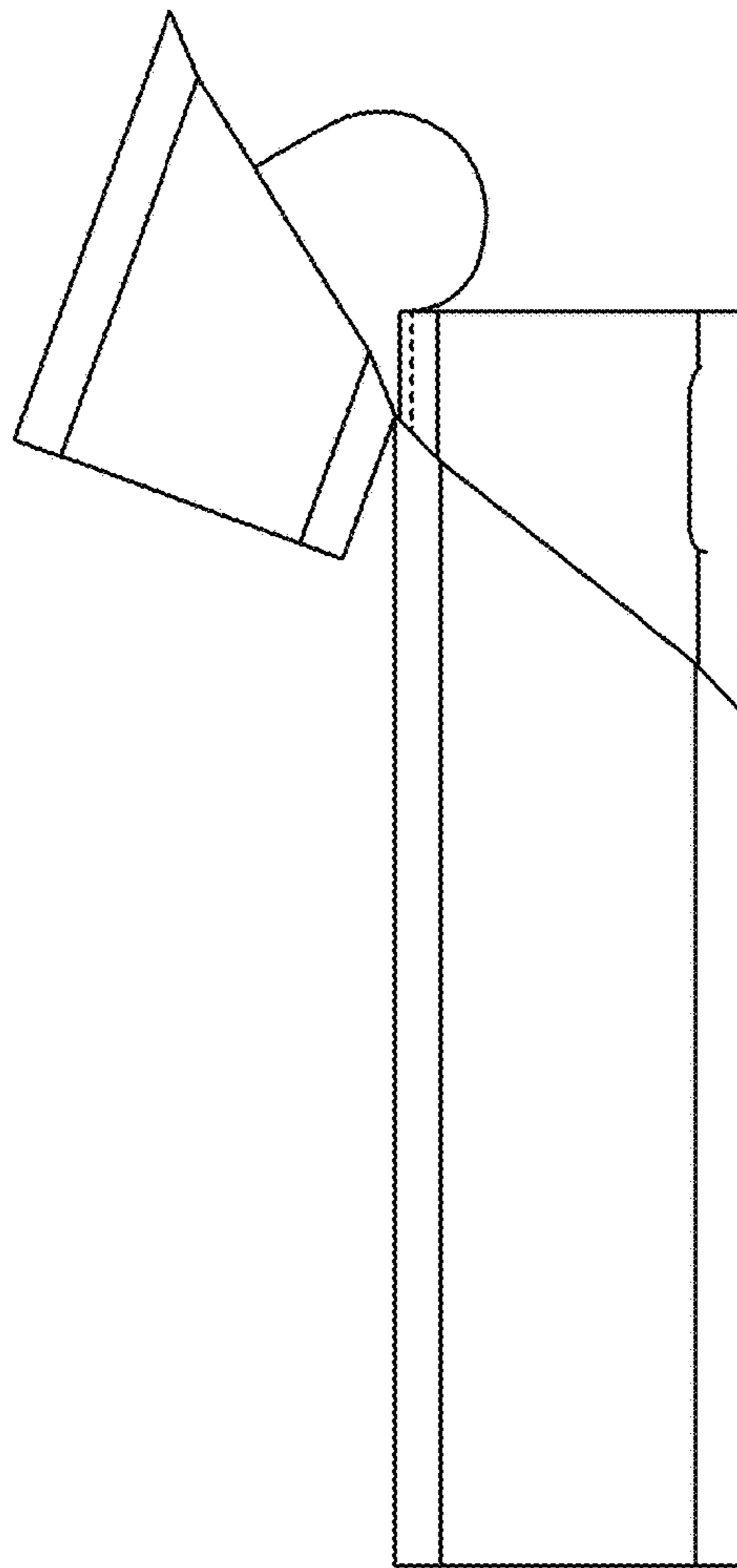


FIG. 14

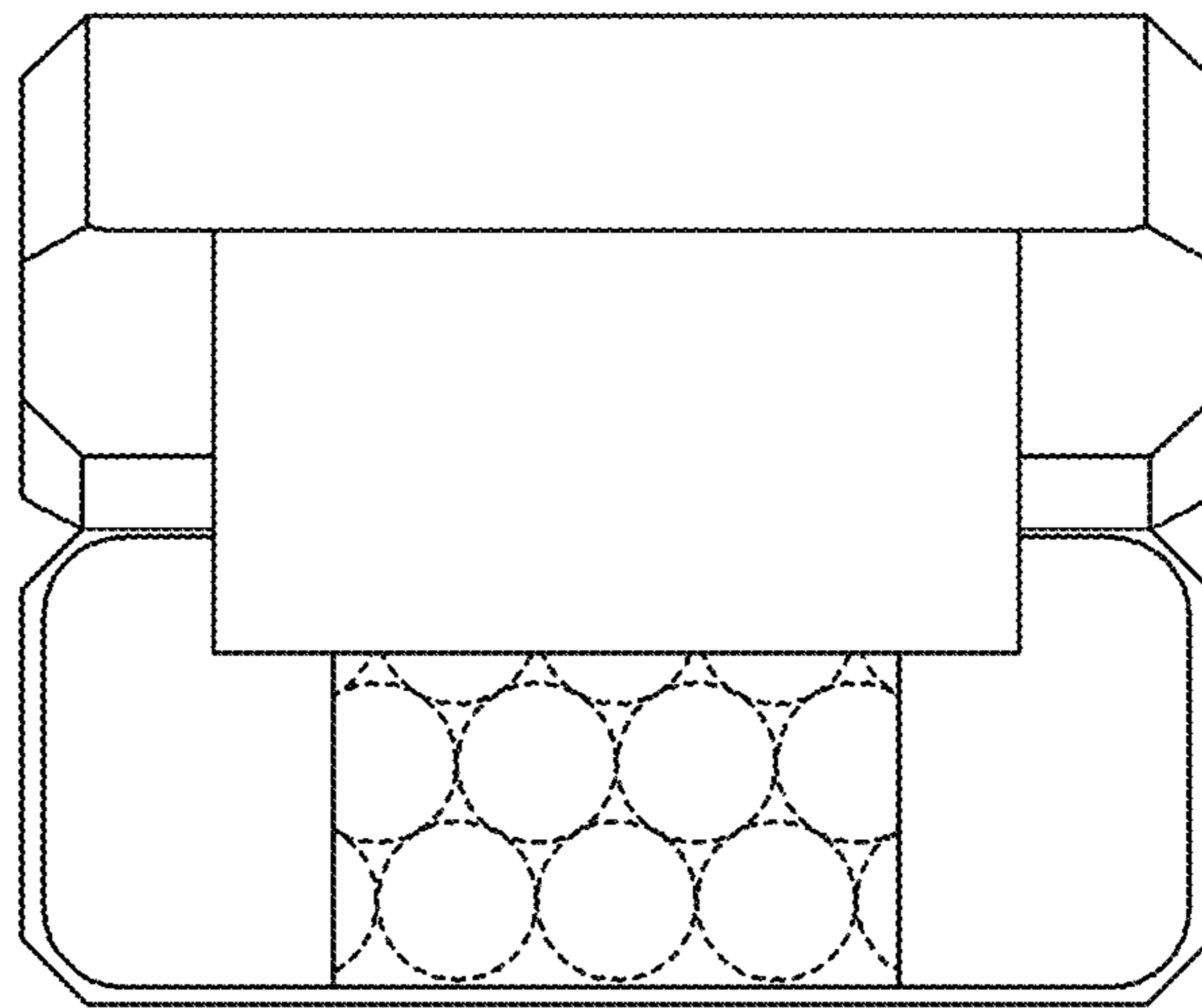


FIG. 15

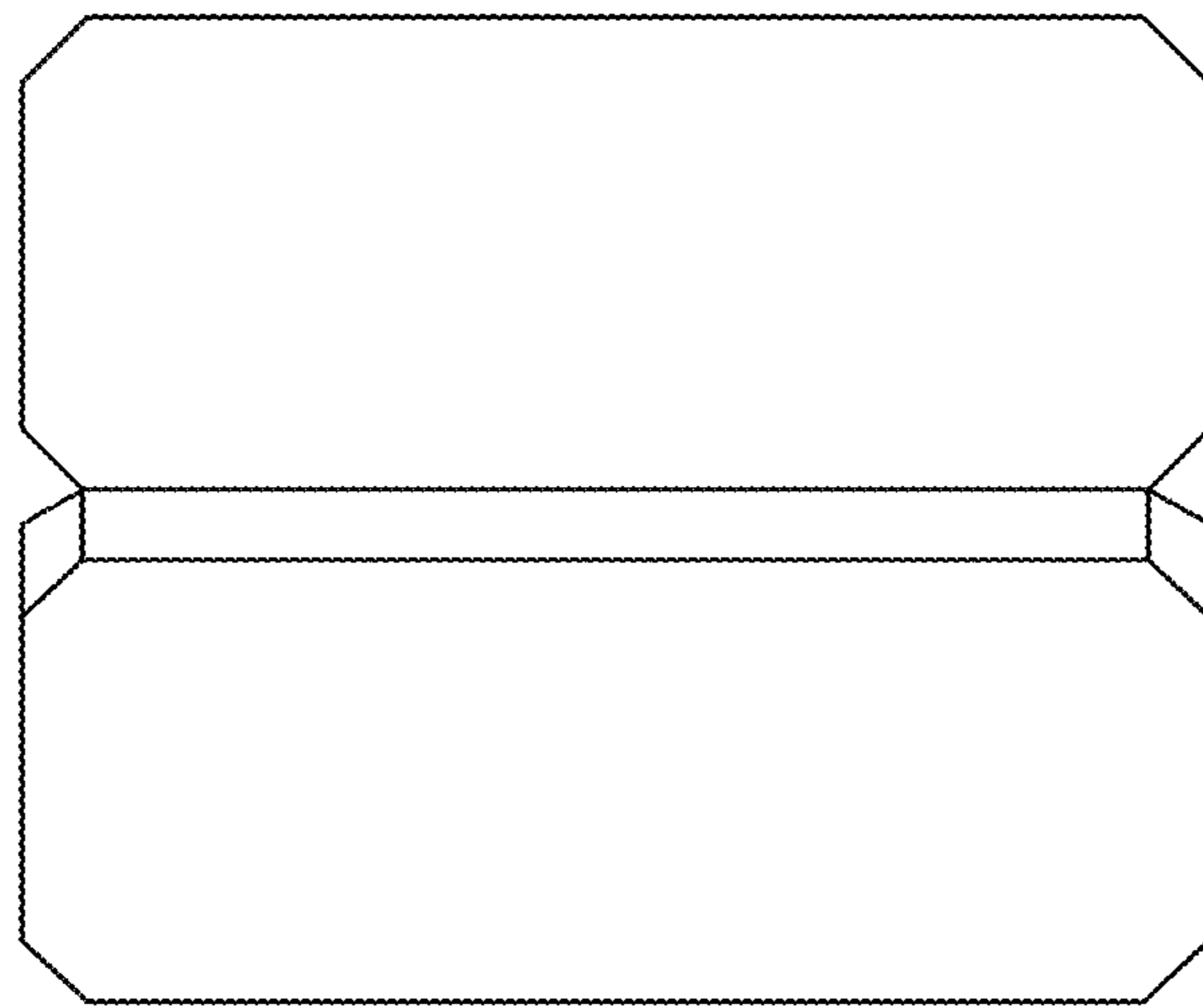


FIG. 16