



US00D863952S

(12) **United States Design Patent** (10) **Patent No.:** **US D863,952 S**
Guiraud (45) **Date of Patent:** **** Oct. 22, 2019**

- (54) **PACKAGING BOX**
- (71) Applicant: **GROUPE GUILLIN**, Ornans (FR)
- (72) Inventor: **Roland Guiraud**, Saint Raphael (FR)
- (73) Assignee: **GROUPE GUILLIN**, Ornans (FR)
- (**) Term: **15 Years**
- (21) Appl. No.: **29/656,124**
- (22) Filed: **Jul. 10, 2018**
- (51) **LOC (12) Cl.** **09-03**
- (52) **U.S. Cl.**
USPC **D9/420**
- (58) **Field of Classification Search**
USPC D9/414, 420, 423, 428, 432, 763, 767,
D9/770, 780; D3/201, 203.5, 900, 901,
D3/903, 905; D7/601, 602, 900
CPC ... B65D 1/10; B65D 1/12; B65D 1/14; B65D
1/15; B65D 1/16; B65D 1/18; B65D
1/22; B65D 1/165; B65D 25/00; B65D
43/02; B65D 43/14; B65D 43/162; B65D
43/163; B65D 43/164; B65D 81/02;
B65D 81/3813; B65D 21/0234
See application file for complete search history.

D786,095 S 5/2017 Kim
D837,647 S * 1/2019 Tamshe D9/420
D840,221 S * 2/2019 Lam D9/423
2014/0041343 A1* 2/2014 Corbett B65D 43/162
53/492

OTHER PUBLICATIONS

Dynaplast; Retrieved from https://s15.a2zinc.net/clients/pma_freshsummit/18/public/eBooth.aspx?BoothID=148321; Retrieved on May 21, 2019; Posted Oct. 2018 (Year: 2018).*

* cited by examiner

Primary Examiner — Wan Laymon
Assistant Examiner — Clint A Samuel
(74) *Attorney, Agent, or Firm* — Craft Chu PLLC;
Andrew W. Chu

(57) **CLAIM**
The ornamental design for a packaging box, as shown and described.

DESCRIPTION

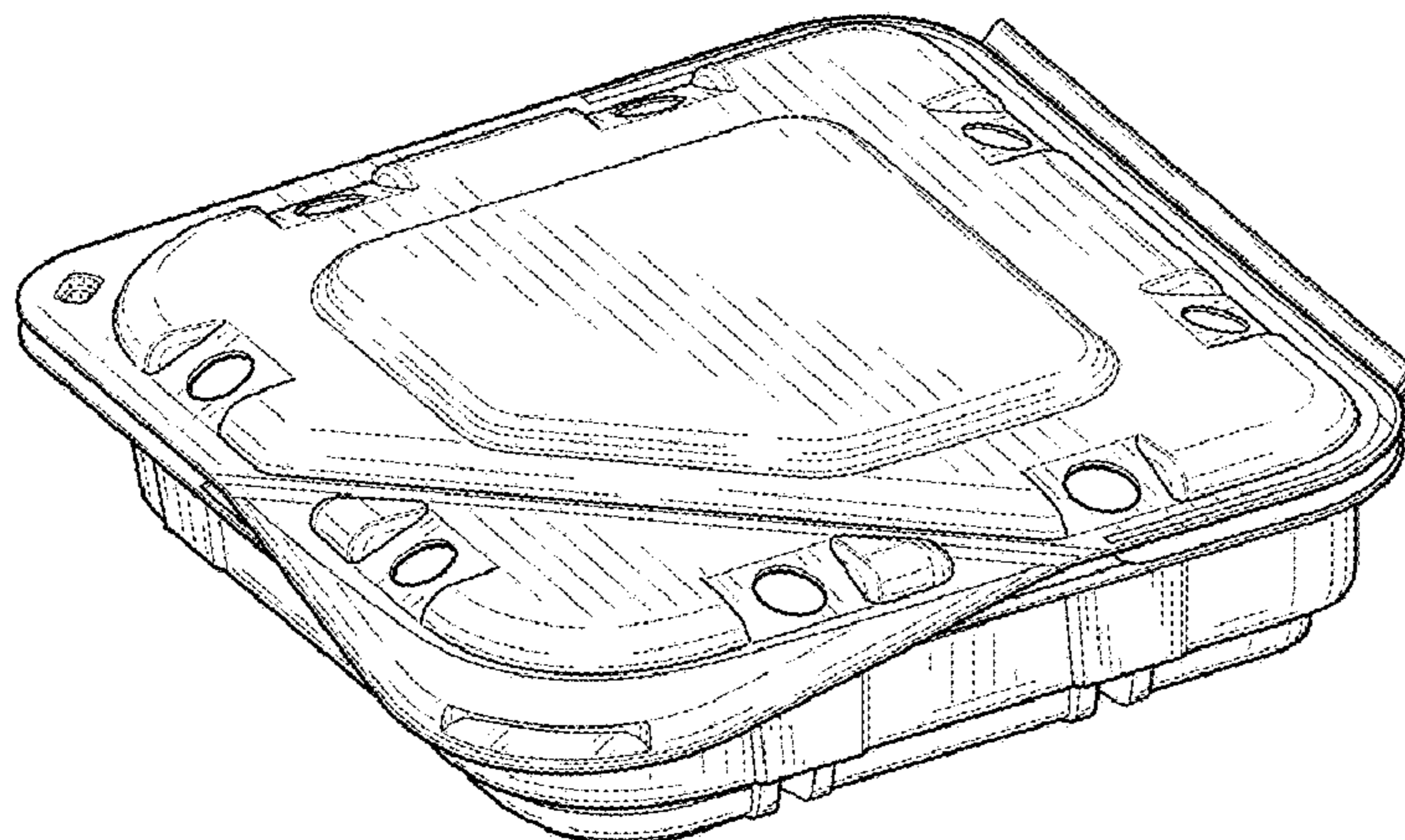
FIG. 1 is an upper perspective view of the packaging box showing my design in a closed position;
FIG. 2 is another upper perspective view thereof in a partially closed position;
FIG. 3 is a top plan view of the packaging box in the partially closed position of FIG. 2;
FIG. 4 is still another upper perspective view thereof in an opened position;
FIG. 5 is a side elevation view of the packaging box in the opened position of FIG. 4;
FIG. 6 is a front elevation view of the packaging box in the opened position of FIG. 4; and,
FIG. 7 is a top plan view of the packaging box in a fully opened position.
No claim is made to features beyond the views presented.

(56) **References Cited**

U.S. PATENT DOCUMENTS

- D448,288 S * 9/2001 Zettle D9/423
- D569,243 S * 5/2008 Kidd D9/425
- D645,737 S * 9/2011 Oakes D9/420
- D742,218 S * 11/2015 Astorga D9/424
- D752,430 S * 3/2016 Stevenson D9/425
- D760,035 S 6/2016 Kim
- D767,346 S 9/2016 Mussio
- D774,903 S 12/2016 Joergensen

1 Claim, 3 Drawing Sheets



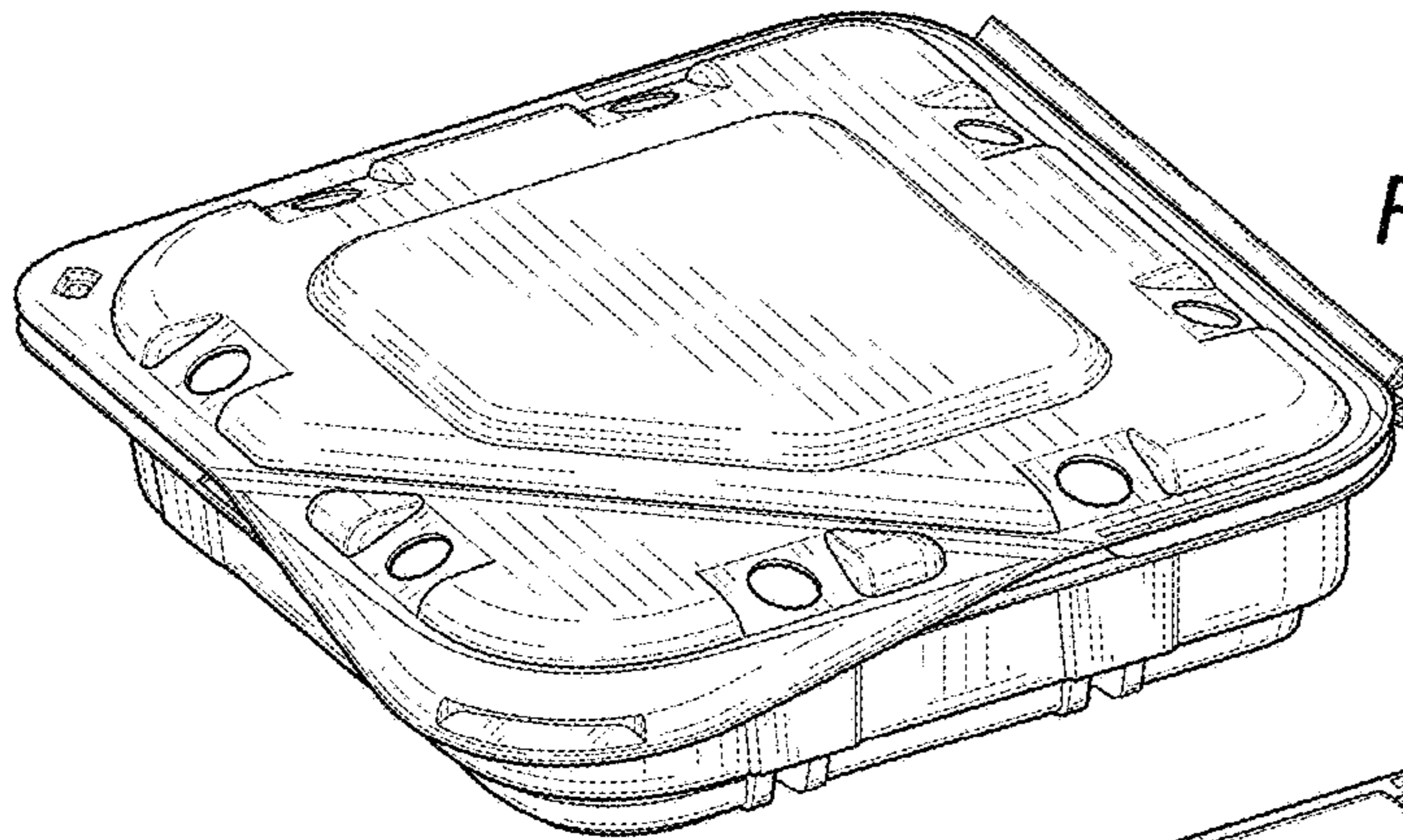


FIG. 1

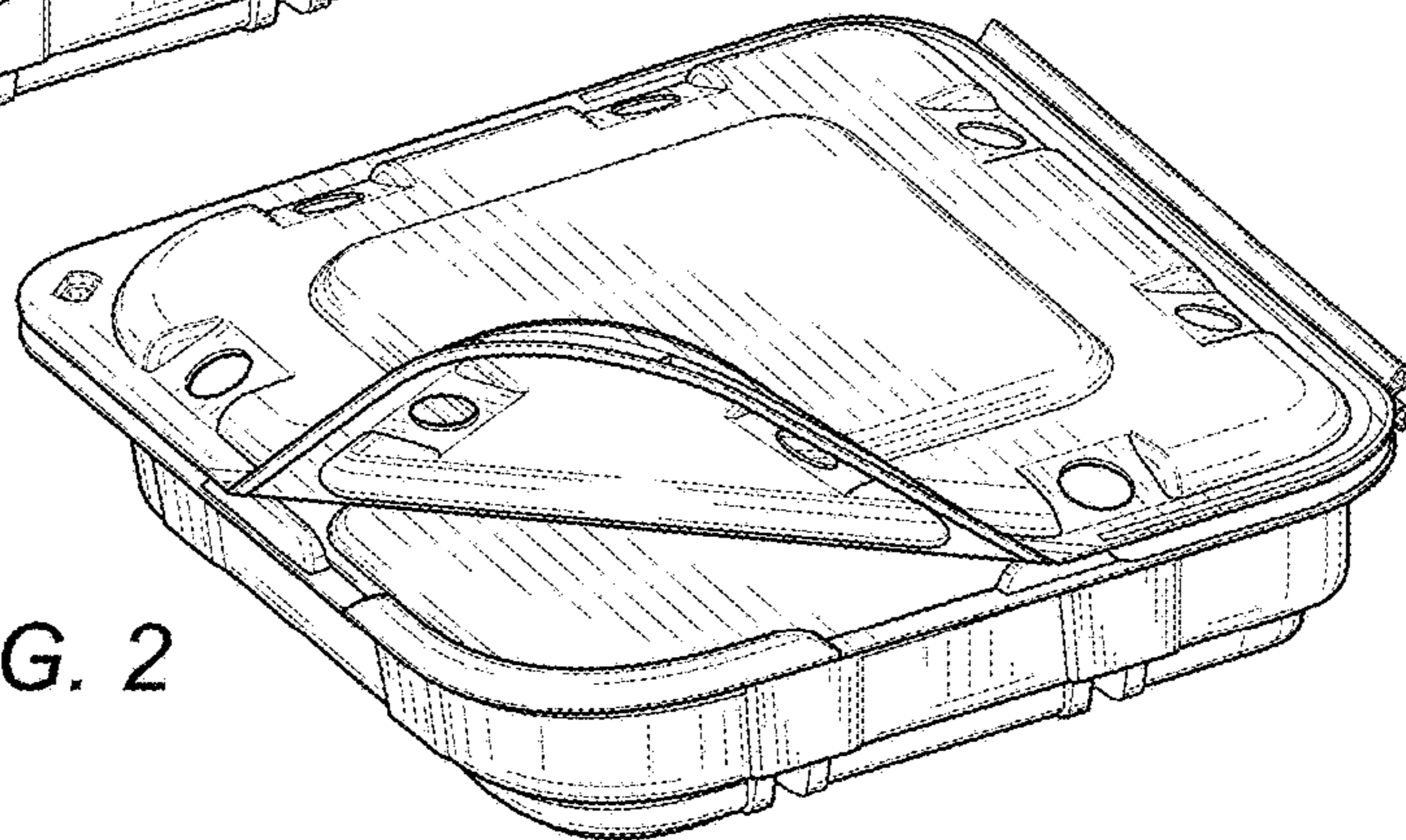


FIG. 2

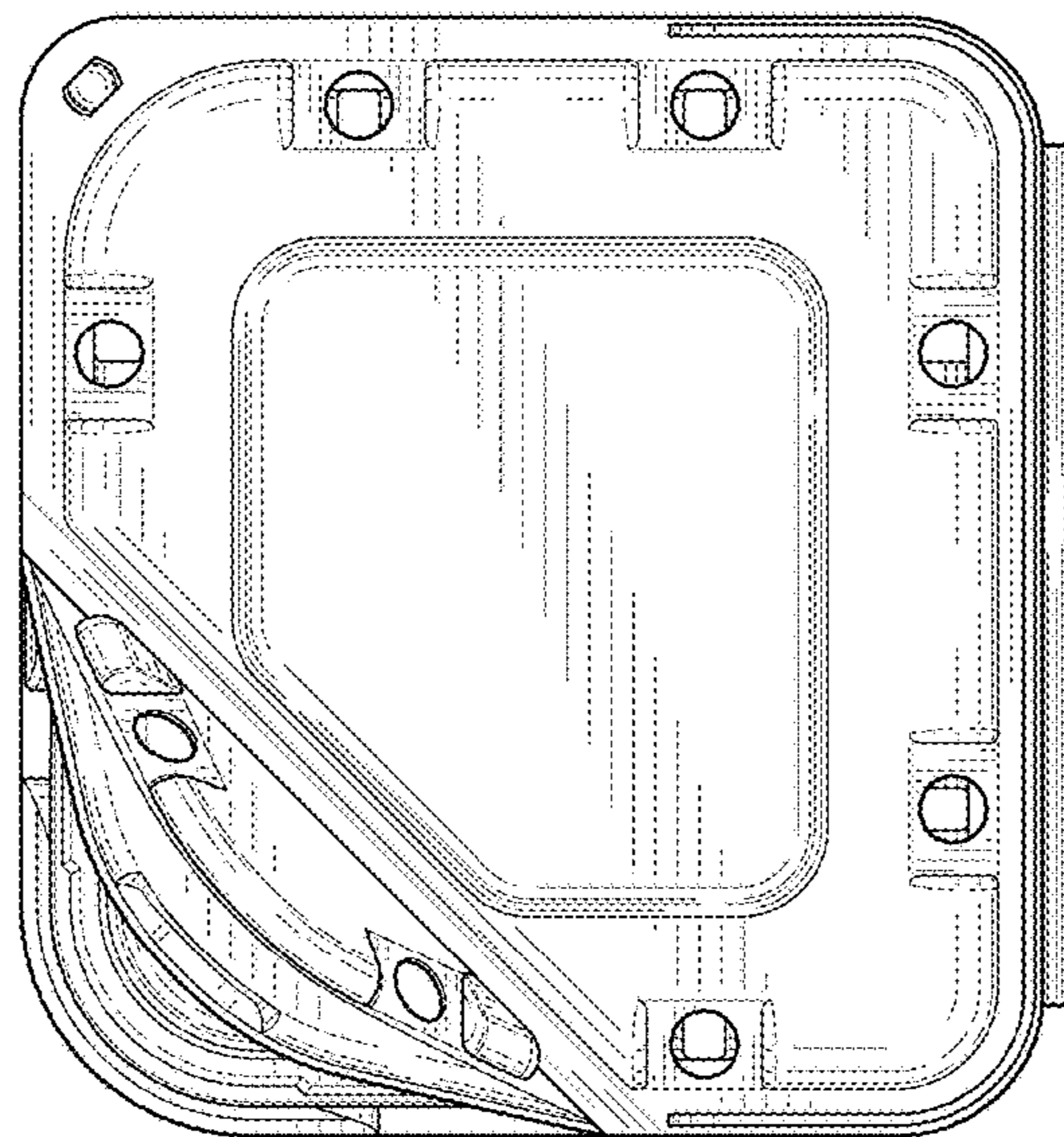


FIG. 3

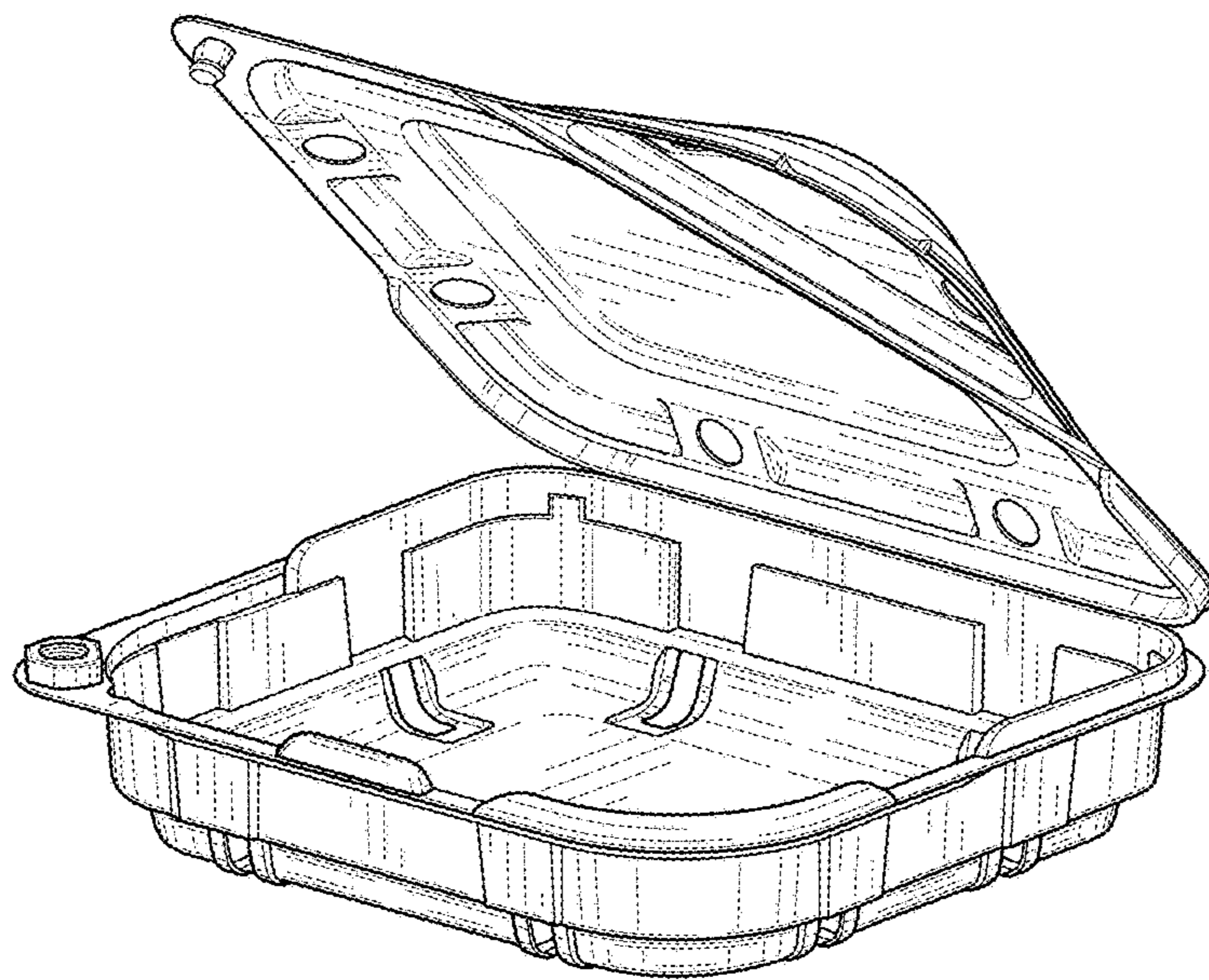


FIG. 4

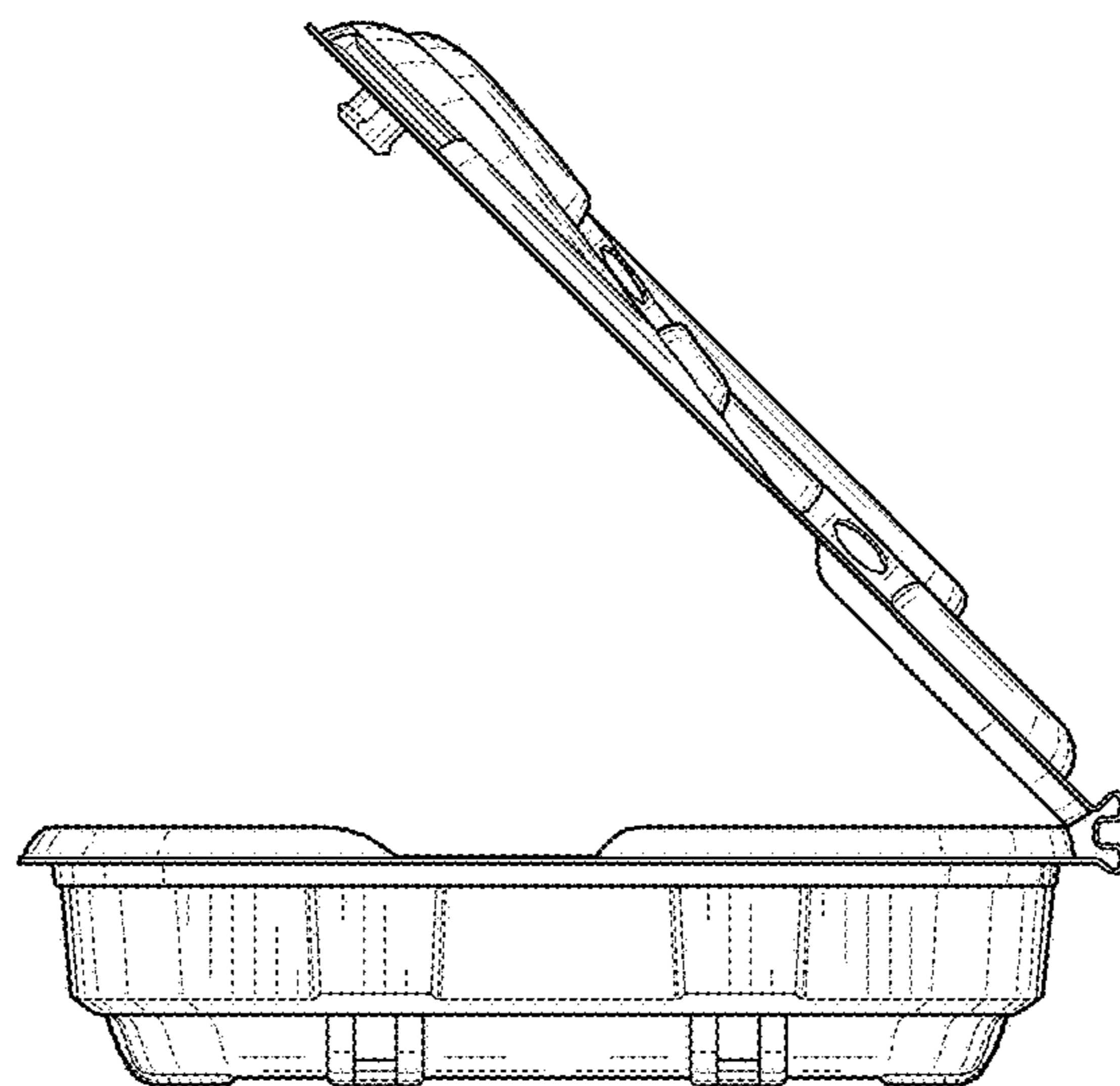


FIG. 5

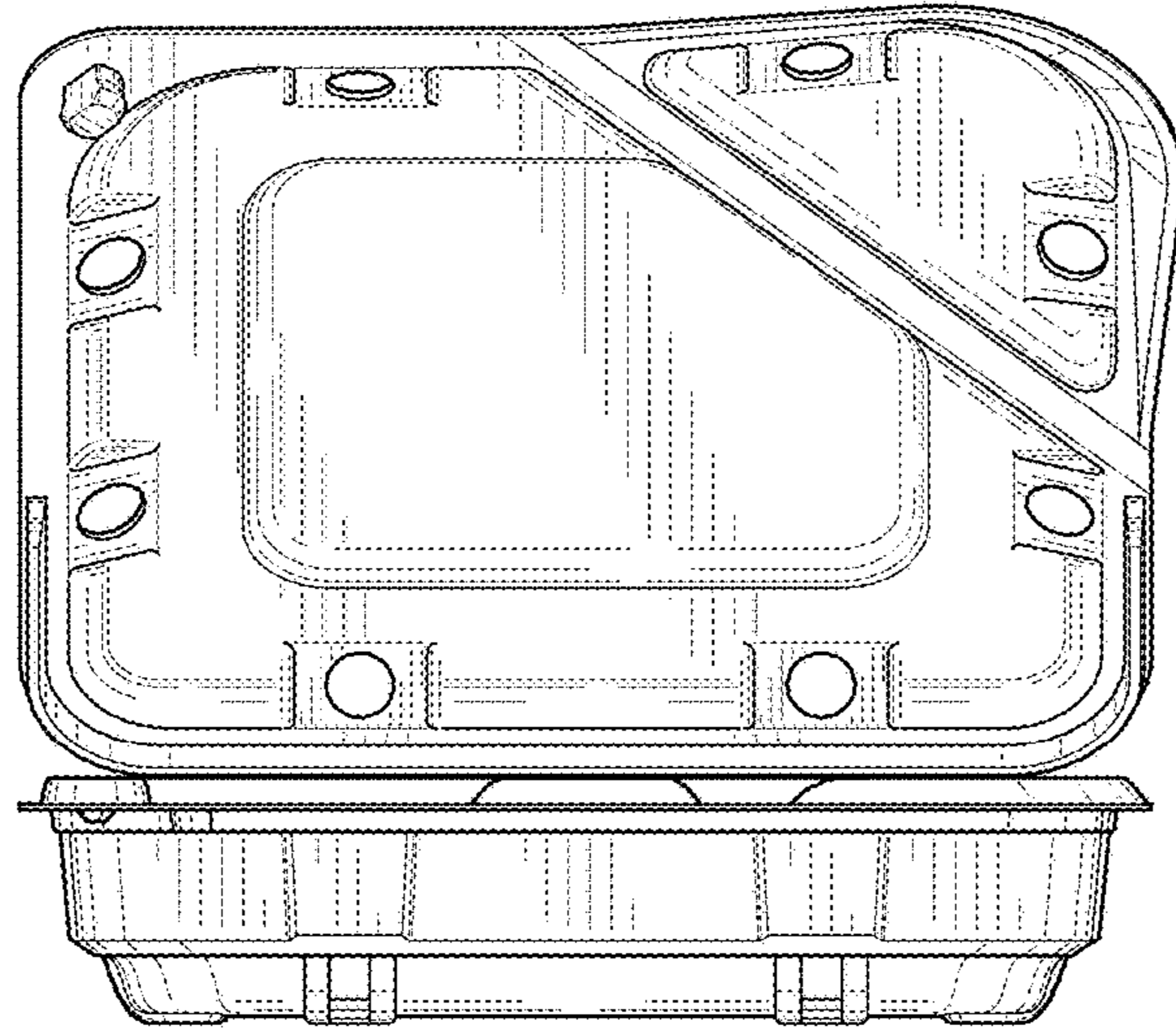


FIG. 6

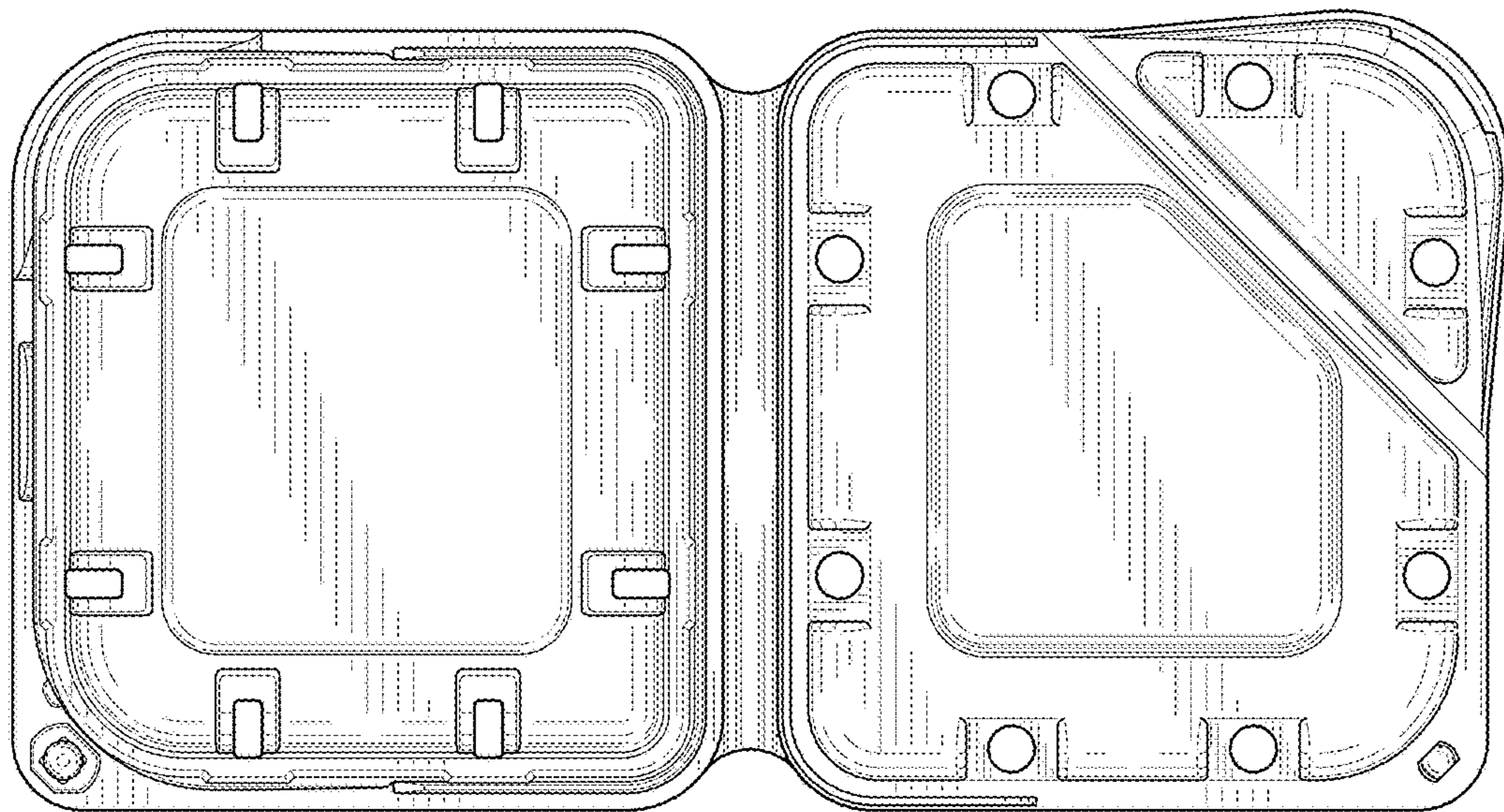


FIG. 7