



US00D863951S

(12) **United States Design Patent** (10) **Patent No.:** **US D863,951 S**  
**Knobel et al.** (45) **Date of Patent:** **\*\* Oct. 22, 2019**

(54) **TUBE WITH ATTACHED CAP**  
(71) Applicant: **CR PACKAGING LLC**, Boston, MA (US)  
(72) Inventors: **Simon Knobel**, Vail, CO (US); **Ari Markowitz**, Allston, MA (US); **Alexander Gonzalez**, Boston, MA (US)  
(73) Assignee: **CR Packaging LLC**, Allston, MA (US)  
(\*\*) Term: **15 Years**  
(21) Appl. No.: **29/636,708**

5,330,050 A 7/1994 Stansbury, Jr. et al.  
5,409,128 A 4/1995 Mitchell  
5,540,536 A 7/1996 Hoedl  
5,699,925 A 12/1997 Petruzzi  
6,105,791 A 8/2000 Chalson et al.  
6,148,291 A 11/2000 Radican  
6,250,490 B1 6/2001 Loftus  
D488,863 S \* 4/2004 Quinn ..... D24/121  
6,971,518 B1 12/2005 Lowry  
7,132,926 B2 11/2006 Vaseloff et al.  
D542,650 S \* 5/2007 McDowell ..... D9/423  
D573,878 S \* 7/2008 Rathbone ..... D9/420  
D598,738 S \* 8/2009 Supranowicz ..... D9/420  
D599,655 S \* 9/2009 Friebe ..... D9/420  
D621,951 S \* 8/2010 Bucholtz ..... D24/224

(Continued)

(22) Filed: **Feb. 9, 2018**  
(51) **LOC (12) Cl.** ..... **09-03**  
(52) **U.S. Cl.**  
USPC ..... **D9/420**  
(58) **Field of Classification Search**  
USPC ..... D9/414, 420, 423, 428, 432, 763, 767,  
D9/770, 780; D3/201, 203.5, 900, 901,  
D3/903, 905; D7/601, 602, 900  
CPC ... B65D 1/10; B65D 1/12; B65D 1/14; B65D  
1/15; B65D 1/16; B65D 1/18; B65D  
1/22; B65D 1/165; B65D 25/00; B65D  
43/02; B65D 43/14; B65D 43/162; B65D  
43/163; B65D 43/164; B65D 81/02;  
B65D 81/3813; B65D 21/0234  
See application file for complete search history.

*Primary Examiner* — Wan Laymon  
*Assistant Examiner* — Clint A Samuel  
(74) *Attorney, Agent, or Firm* — Mintz Levin Cohn Ferris  
Glovsky and Popeo, P.C.; Peter F. Corless; Carolina E.  
Säve

(57) **CLAIM**

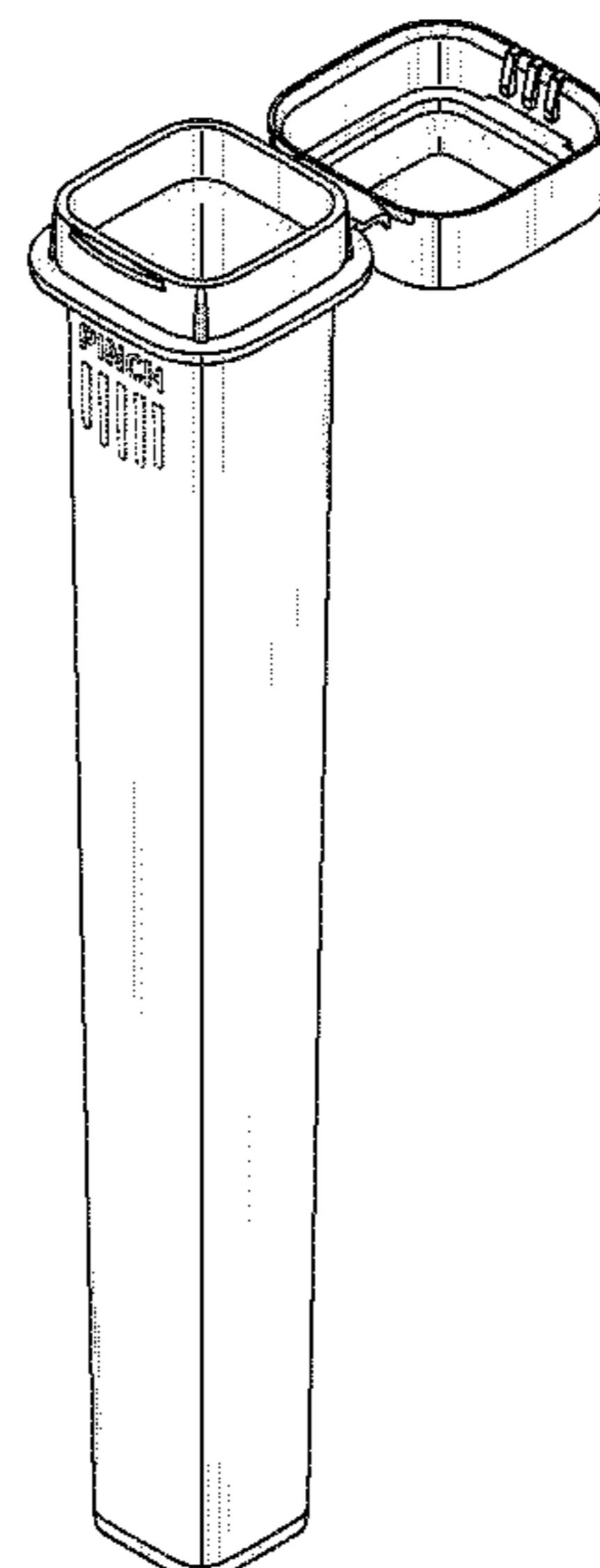
The ornamental design for a tube with attached cap, as shown and described.

**DESCRIPTION**

FIG. 1 is a perspective view of a tube with attached cap. FIG. 2 is a front view of the tube with attached cap. FIG. 3 is a left side view of the tube with attached cap. FIG. 4 is a right side view of the tube with attached cap. FIG. 5 is a back view of the tube with attached cap. FIG. 6 is a top view of the tube with attached cap. FIG. 7 is a bottom view of the tube with attached cap; and, FIG. 8 is a second perspective view of a tube with attached cap in a closed position. The broken lines showing in the drawings are for the purpose of illustrating portions of the article and form no part of the claimed design.

**1 Claim, 5 Drawing Sheets**

(56) **References Cited**  
U.S. PATENT DOCUMENTS  
4,071,156 A 1/1978 Lowe  
4,139,097 A 2/1979 Bowman et al.  
4,242,834 A 1/1981 Olsen  
4,296,569 A 10/1981 Edwards  
4,653,651 A 3/1987 Flum  
4,801,024 A 1/1989 Flum et al.  
5,267,649 A 12/1993 Apps et al.  
5,312,011 A 5/1994 Fischer



(56)

**References Cited**

U.S. PATENT DOCUMENTS

8,006,368	B2 *	8/2011	Logel .....	B29C 45/006 264/250
8,474,624	B2	7/2013	Cronin et al.	
8,616,376	B2	12/2013	Cronin	
8,863,947	B2	10/2014	Sibley	
D723,181	S *	2/2015	Kawamura .....	D24/224
9,108,766	B2	8/2015	Gosen et al.	
D749,420	S *	2/2016	Kahlau .....	D9/420
D752,970	S *	4/2016	Giraud .....	D9/420
9,682,799	B2	6/2017	Gosen et al.	
9,694,955	B2 *	7/2017	Wu .....	B65D 50/00
D828,011	S *	9/2018	O'Brien .....	D3/203.1
D848,832	S *	5/2019	Blomberg .....	D9/420
2007/0187277	A1	8/2007	Furlong	
2009/0173656	A1	7/2009	Furlong	
2009/0236255	A1	9/2009	Piacenza et al.	
2010/0065461	A1	3/2010	Chhay	
2012/0055947	A1 *	3/2012	Caulfield .....	B65D 43/162 220/839
2013/0153574	A1 *	6/2013	Ward .....	B65D 43/162 220/260
2015/0151913	A1	6/2015	Wong et al.	
2016/0107796	A1	4/2016	Sibley	
2016/0167844	A1 *	6/2016	Wu .....	B65D 50/00 215/209
2016/0167845	A1	6/2016	Harvey	
2018/0229417	A1 *	8/2018	Muller .....	B29B 11/14

\* cited by examiner

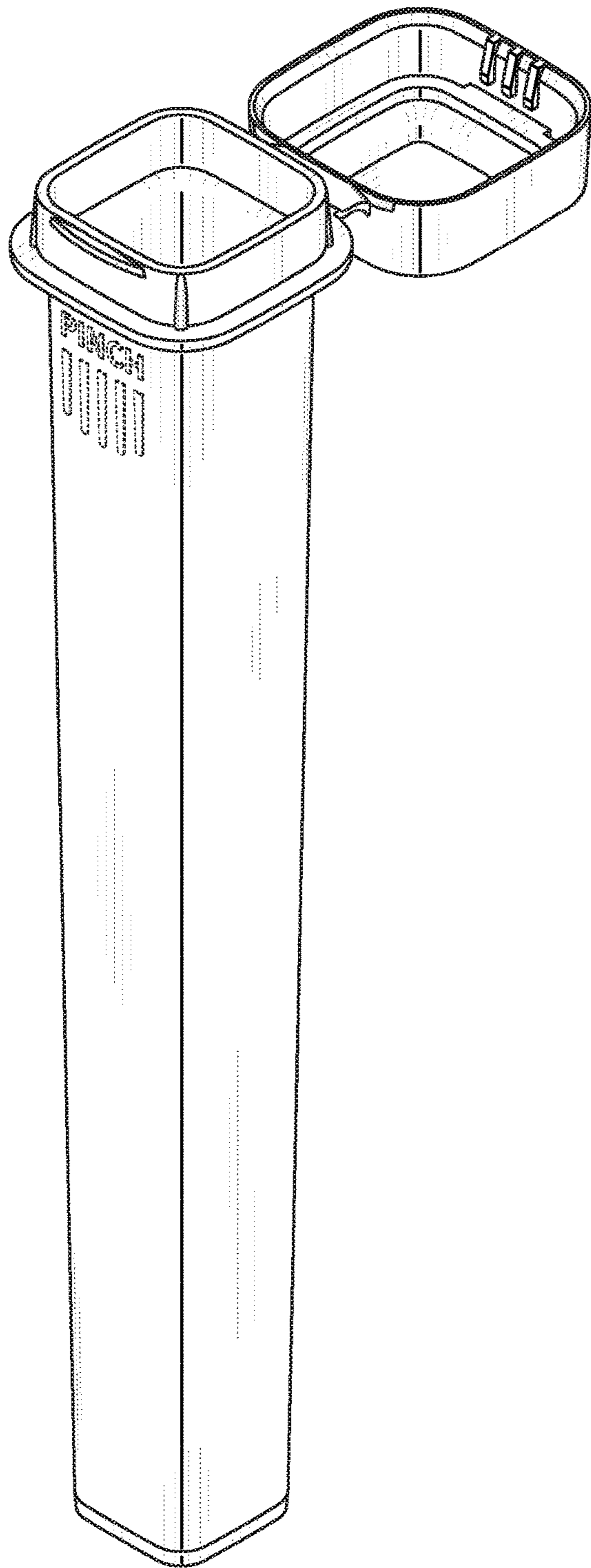


FIG. 1

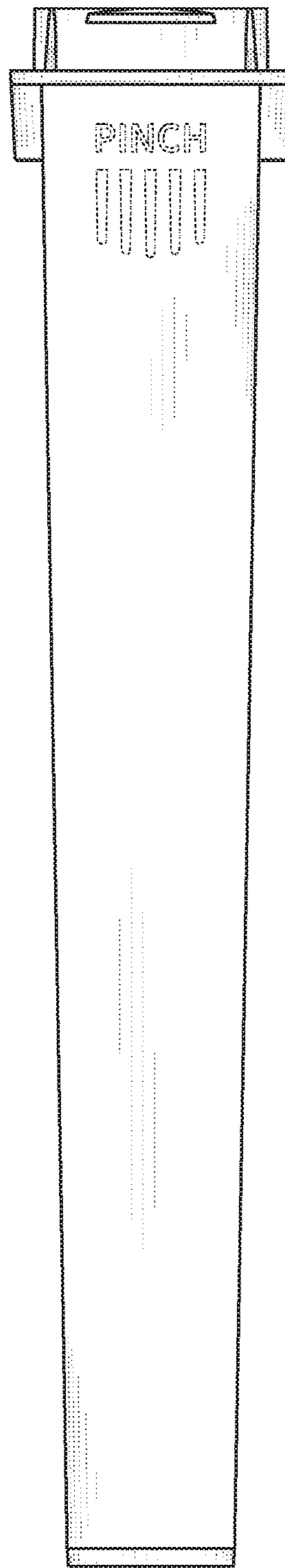


FIG. 2

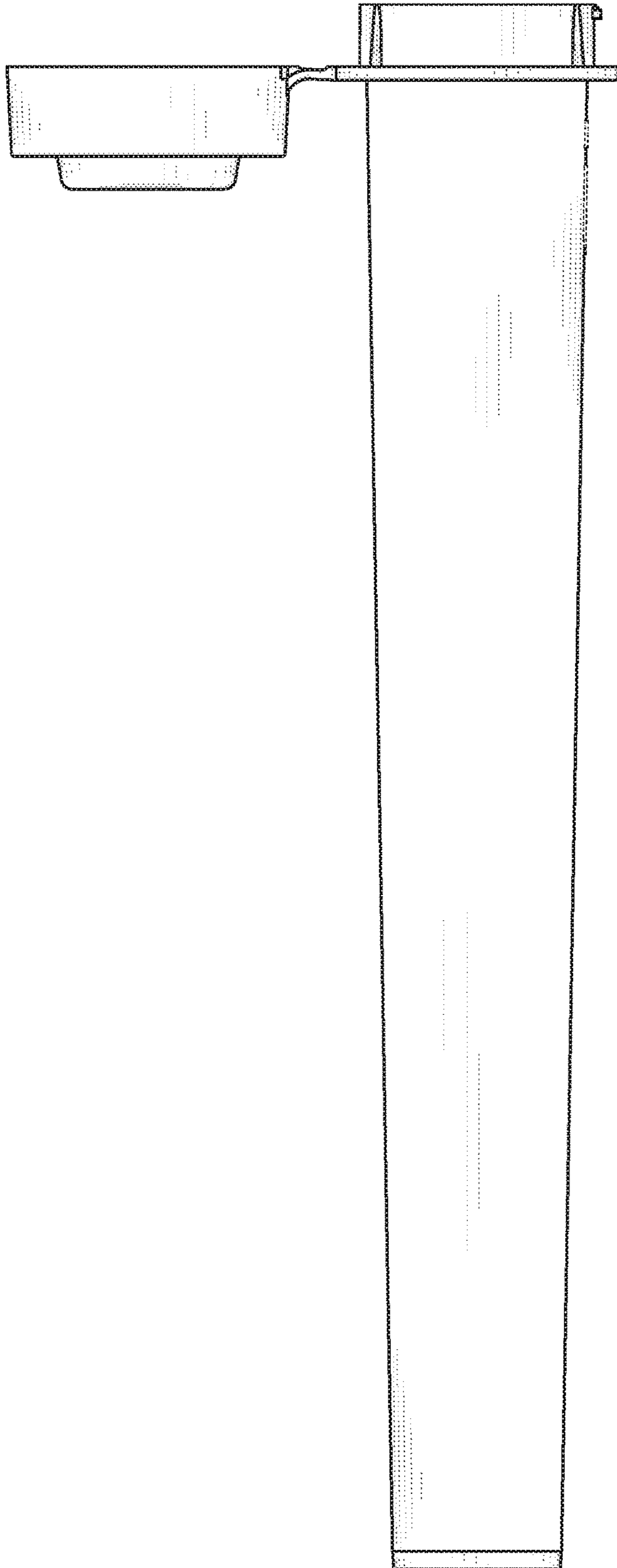


FIG. 3

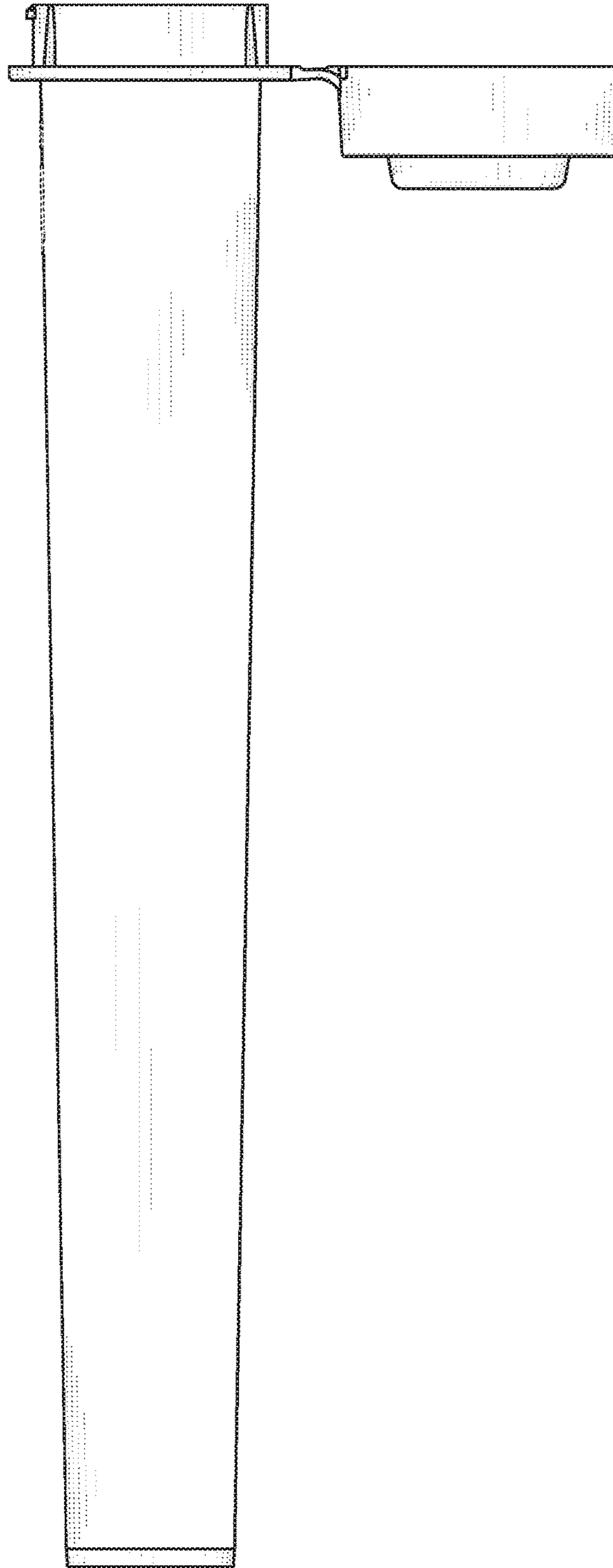


FIG. 4

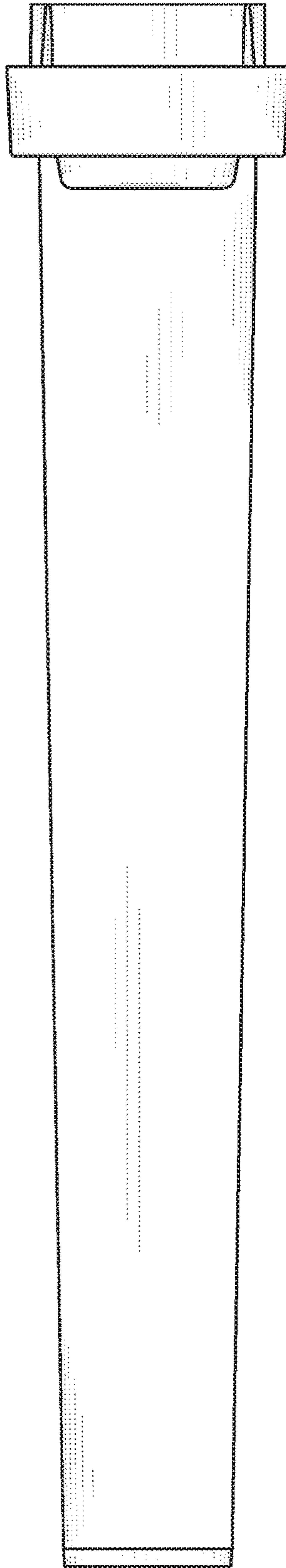


FIG. 5

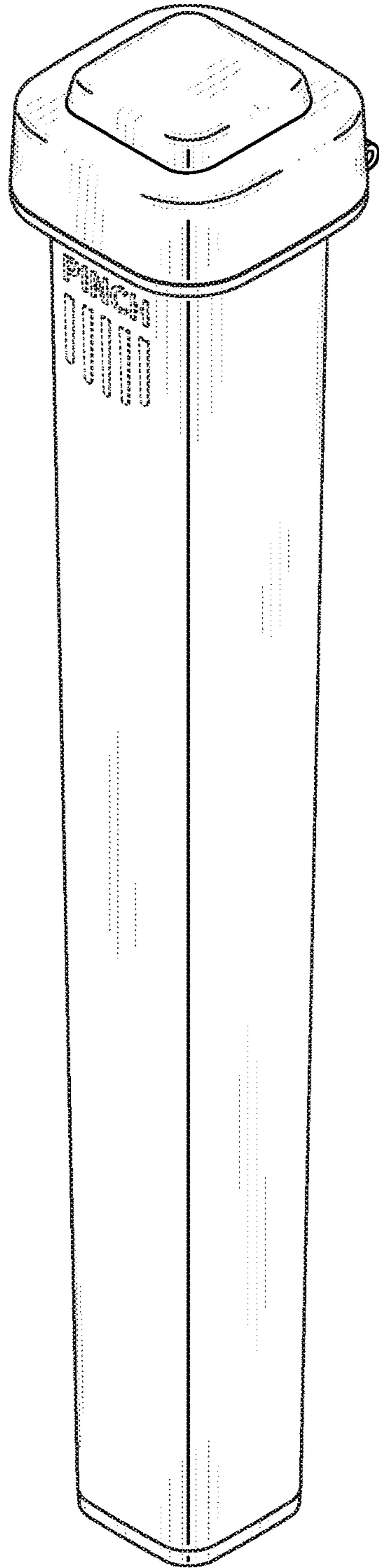


FIG. 8

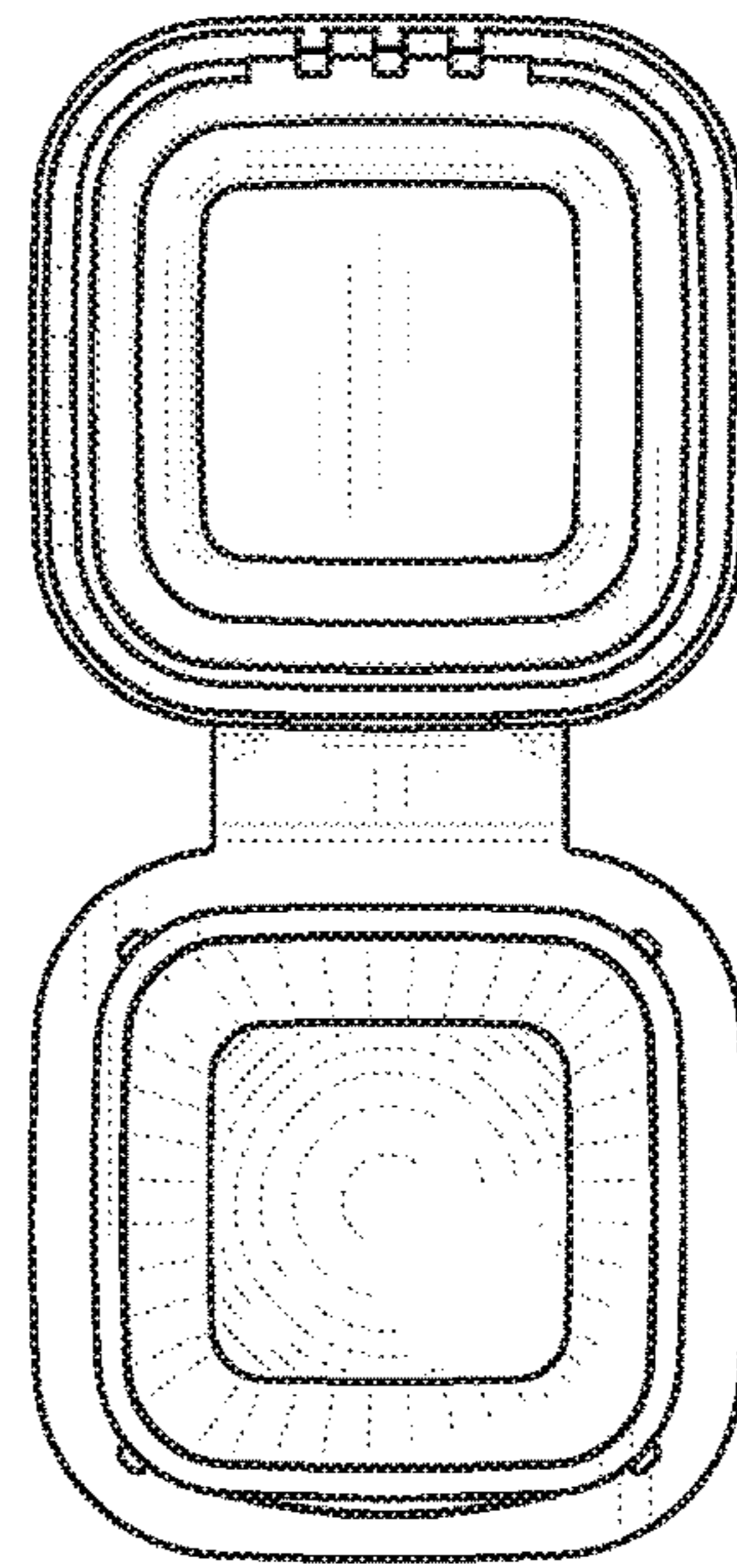


FIG. 6

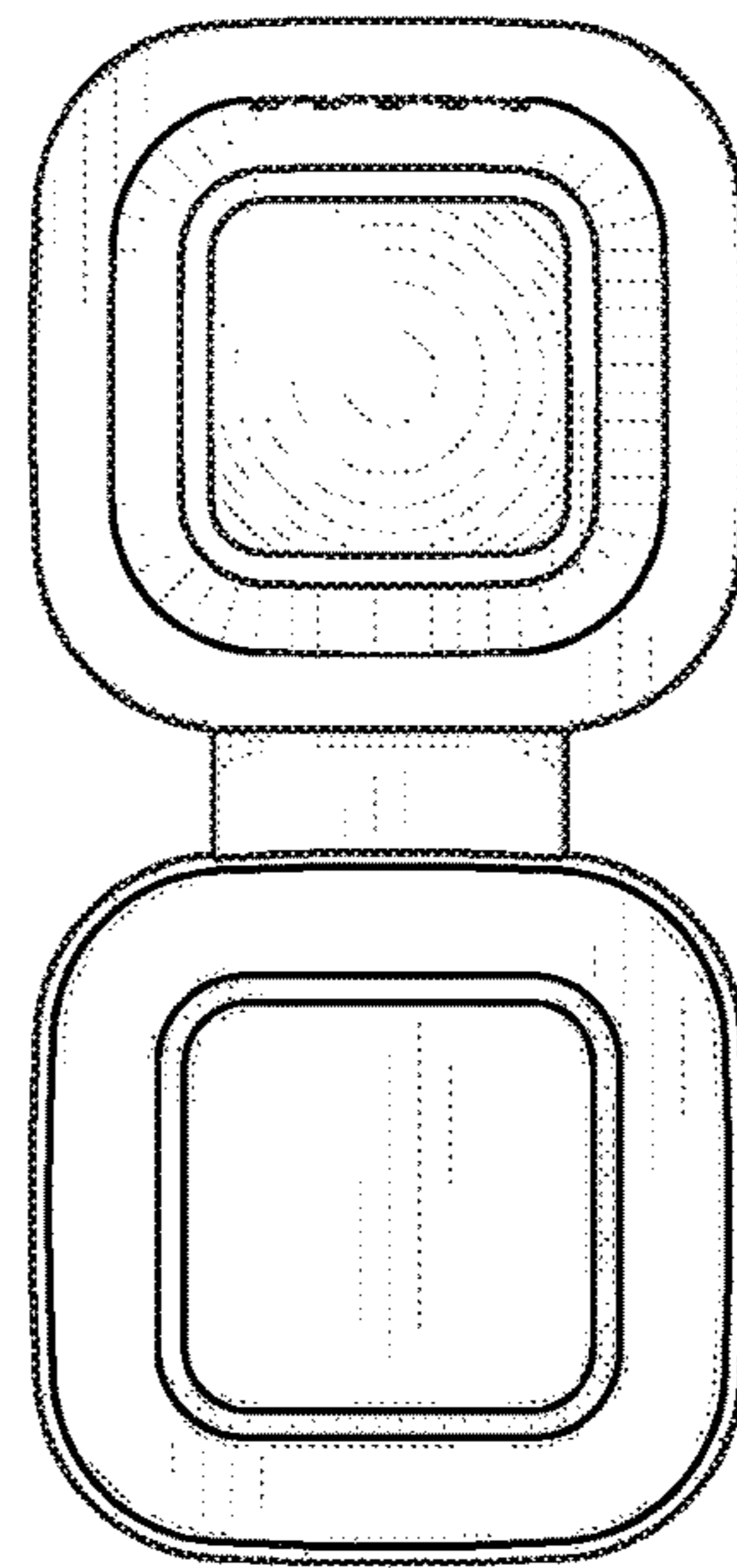


FIG. 7