

US00D863950S

(12) **United States Design Patent**  
**Chilton**

(10) **Patent No.:** **US D863,950 S**

(45) **Date of Patent:** **\*\* Oct. 22, 2019**

(54) **PACKAGE**

(71) Applicant: **Soft-Tex International, Inc.**, Waterford, NY (US)

(72) Inventor: **Jeffrey Chilton**, Mooresville, NC (US)

(73) Assignee: **SOFT-TEX INTERNATIONAL, INC.**, Waterford, NY (US)

(\*\*) Term: **15 Years**

(21) Appl. No.: **29/593,085**

(22) Filed: **Feb. 6, 2017**

(51) **LOC (12) Cl.** ..... **09-03**

(52) **U.S. Cl.**  
USPC ..... **D9/418**

(58) **Field of Classification Search**  
USPC ..... D9/418, 414-417, 669; D7/538;  
D6/705; D27/189  
CPC ..... A01K 63/003  
See application file for complete search history.

(56) **References Cited**

**U.S. PATENT DOCUMENTS**

D371,959 S *	7/1996	Hupp	.....	D9/418
D383,669 S *	9/1997	Taylor	.....	D9/669
7,444,956 B2 *	11/2008	Vadis	.....	A01K 63/003 119/6.5
D601,748 S *	10/2009	Pipes	.....	D27/189
D678,779 S *	3/2013	Lee	.....	D9/418
D679,950 S *	4/2013	Cooper	.....	D7/538

D708,875 S *	7/2014	McNamara	.....	D6/705
D727,732 S *	4/2015	Petty	.....	D9/415
D762,113 S *	7/2016	Mayer	.....	D9/418
D776,522 S *	1/2017	Mayer	.....	D9/418
D795,687 S *	8/2017	Pollock	.....	D9/418
D800,546 S *	10/2017	Sill	.....	D9/418
D800,547 S *	10/2017	Sill	.....	D9/418
D816,481 S *	5/2018	Sill	.....	D9/418
D835,982 S *	12/2018	Mayer	.....	D9/418

\* cited by examiner

*Primary Examiner* — Rhea Shields

(74) *Attorney, Agent, or Firm* — Heslin Rothenberg & Farley & Mesiti P.C.

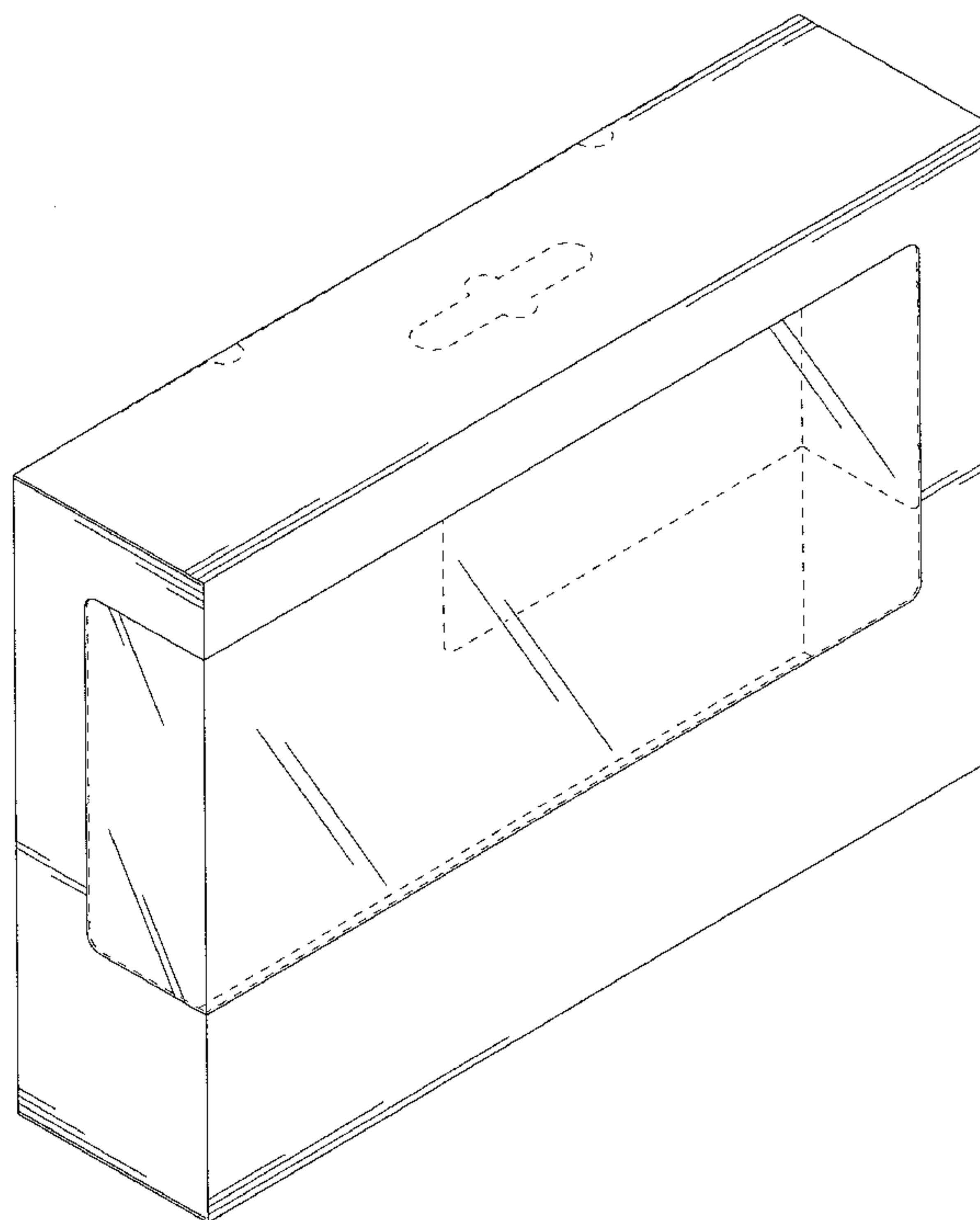
(57) **CLAIM**

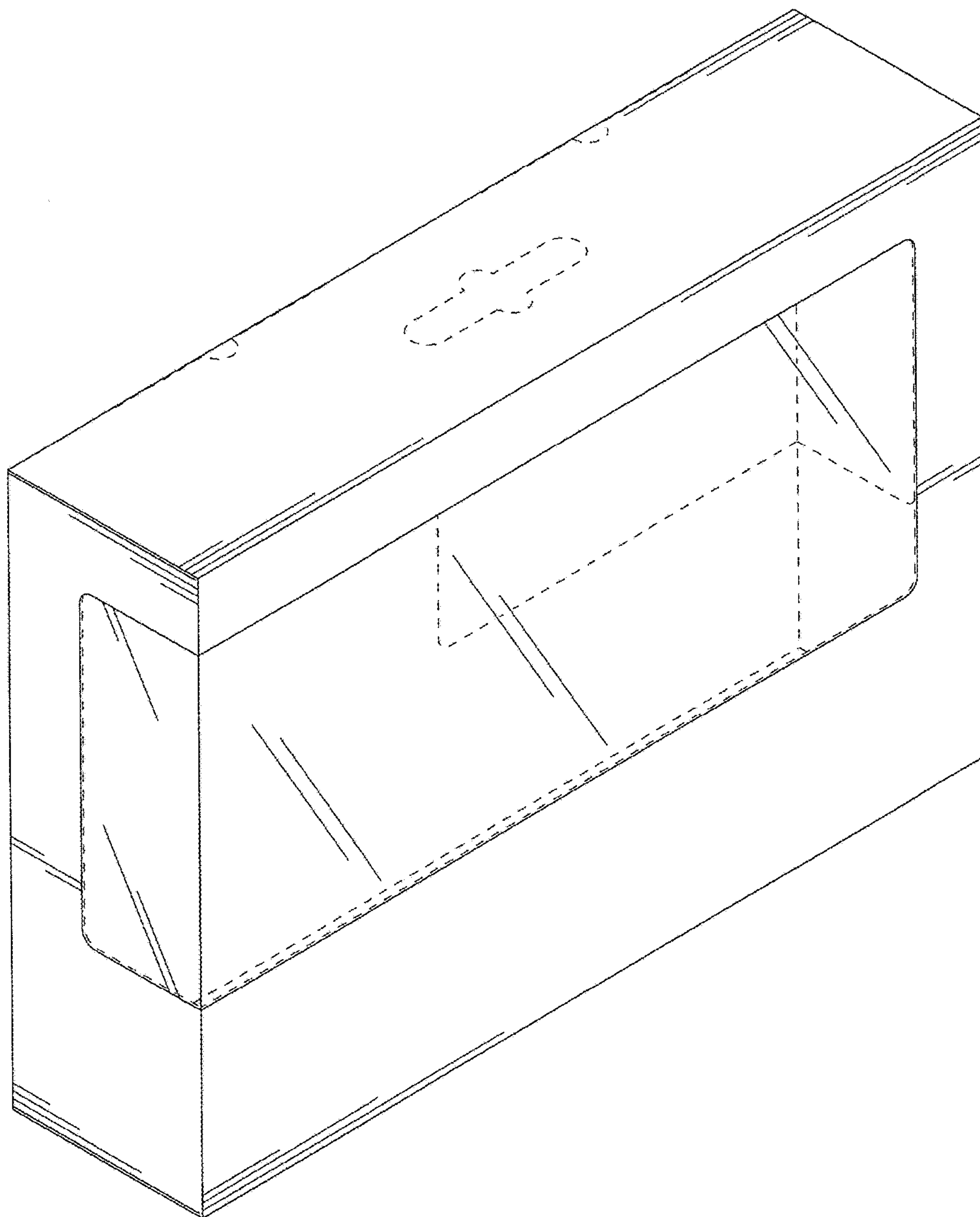
The ornamental design for a package, as shown and described.

**DESCRIPTION**

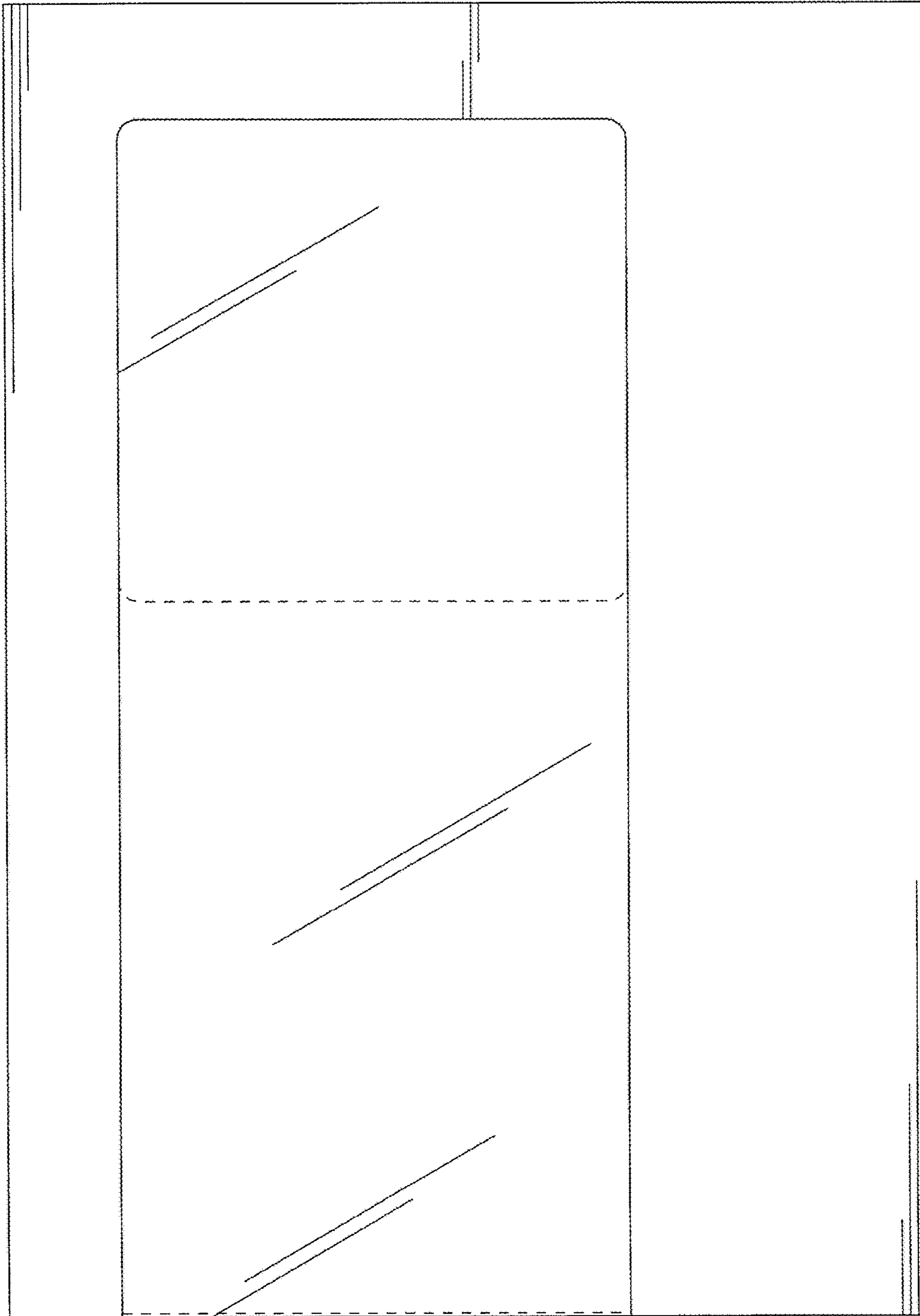
FIG. 1 is a perspective view of the package comprising the new design;  
FIG. 2 is a front view thereof;  
FIG. 3 is a rear view thereof;  
FIG. 4 is a top view thereof;  
FIG. 5 is a bottom view;  
FIG. 6 is a left side view thereof; and,  
FIG. 7 is a right side view thereof.  
In the drawings, the broken lines are for the purpose of illustrating environment only and form no part of the claimed invention.

**1 Claim, 5 Drawing Sheets**

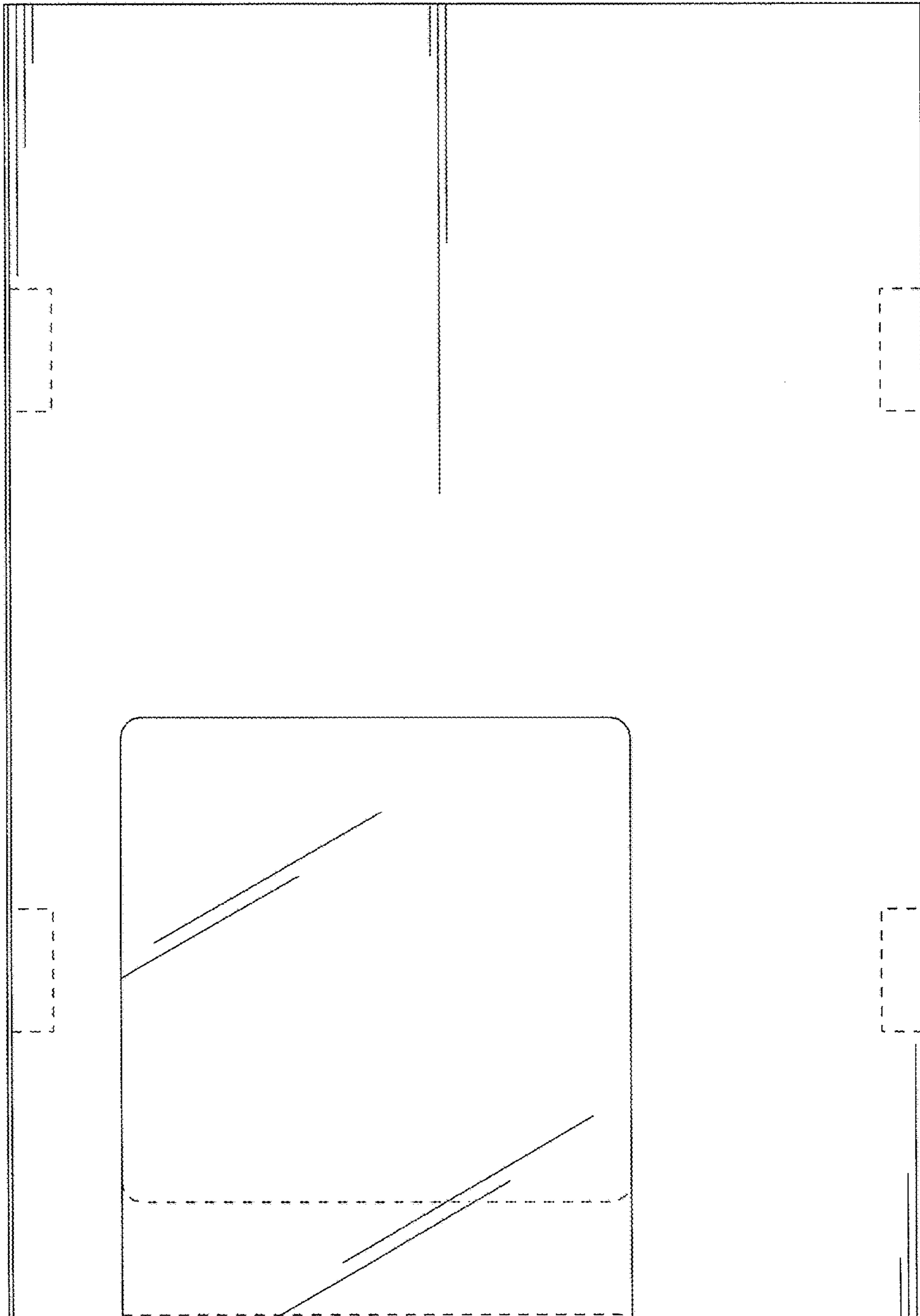




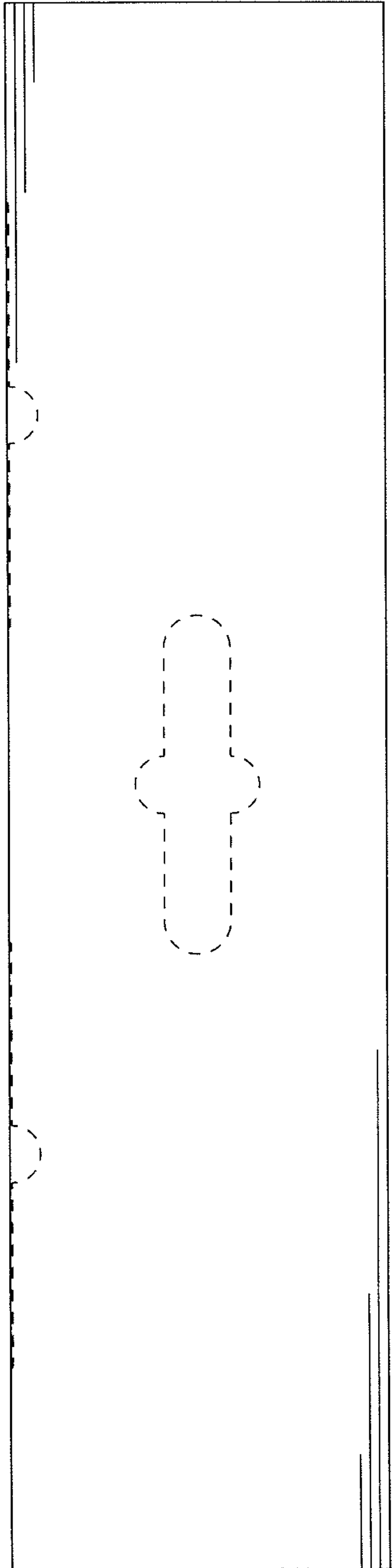
**FIG. 1**



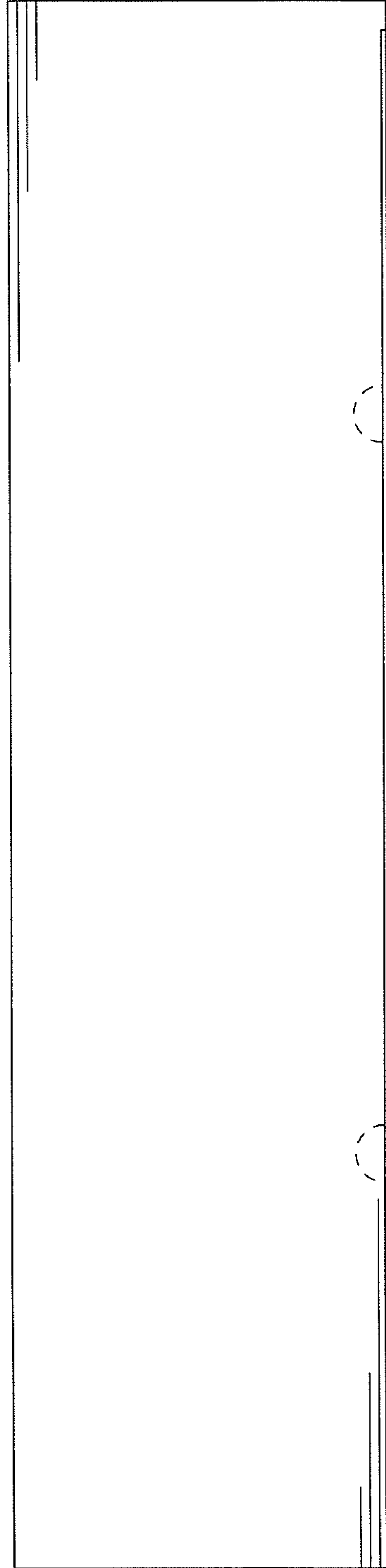
**FIG. 2**



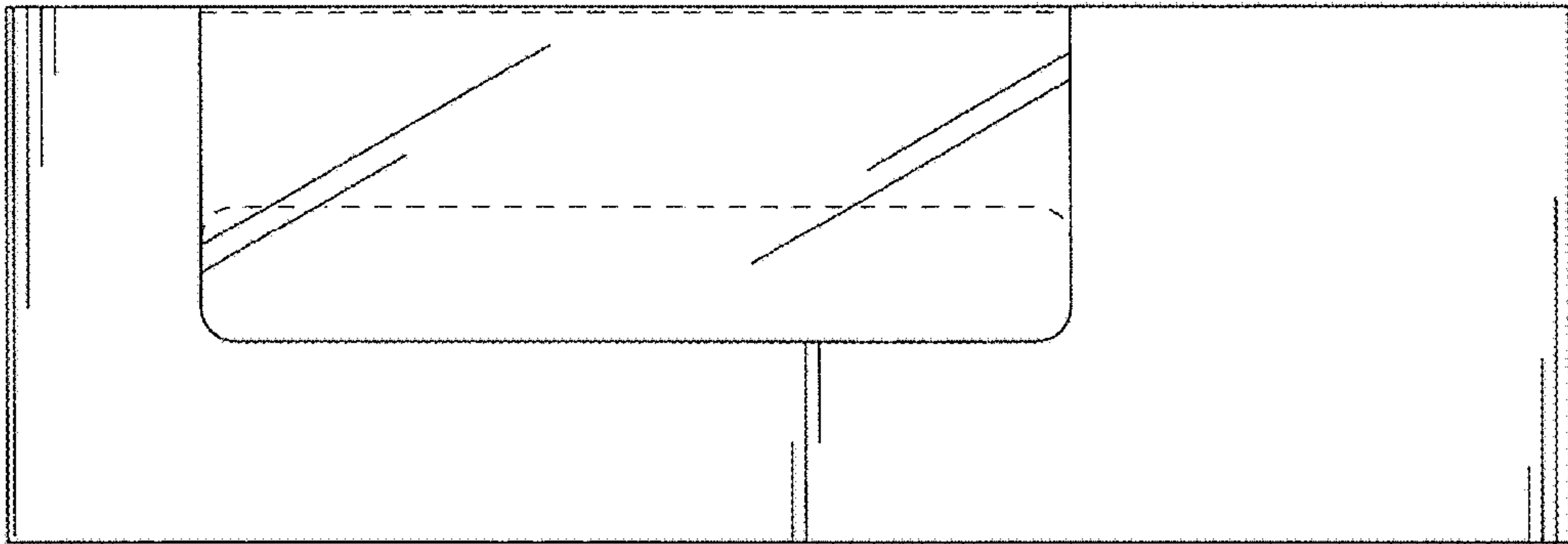
**FIG. 3**



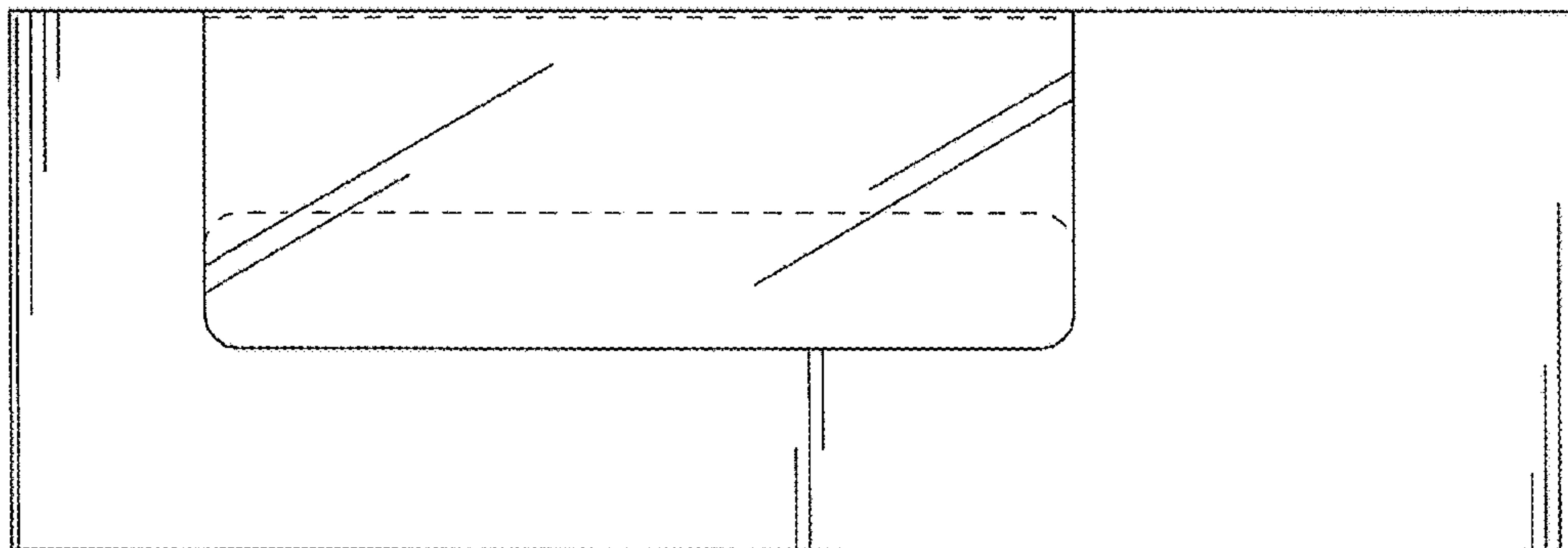
**FIG. 4**



**FIG. 5**



**FIG. 6**



**FIG. 7**